



US00D490924S

(12) **United States Design Patent**
Jigamian

(10) **Patent No.: US D490,924 S**

(45) **Date of Patent: ** Jun. 1, 2004**

(54) **PORTABLE FOCUSED BEAM
SEARCHLIGHT**

(75) **Inventor: Gregory Z. Jigamian, Temecula, CA (US)**

(73) **Assignee: Xenonics, Inc., Carlsbad, CA (US)**

(**) **Term: 14 Years**

(21) **Appl. No.: 29/175,810**

(22) **Filed: Feb. 11, 2003**

(51) **LOC (7) Cl. 26-02**

(52) **U.S. Cl. D26/49**

(58) **Field of Search D26/37-50; 362/157,
362/158, 171, 172, 173, 183-208**

(56) **References Cited**

U.S. PATENT DOCUMENTS

D423,129 S	*	4/2000	Nakagawa	D26/49
D474,554 S	*	5/2003	Dalton et al.	D26/49
D474,555 S	*	5/2003	Sieckowski et al.	D26/49

* cited by examiner

Primary Examiner—Marcus A. Jackson

(74) *Attorney, Agent, or Firm*—Daniel L. Dawes; Myers Dawes Andras & Sherman LLP

(57) **CLAIM**

We claim the ornamental design for portable focused beam searchlight, as shown and described.

DESCRIPTION

FIG. 1 is a perspective view of a first embodiment of the searchlight.

FIG. 2 is a front end elevational view of the first embodiment of the searchlight looking through the face plate at the reflector and xenon light source.

FIG. 3 is a top elevational view of the first embodiment of the searchlight showing the top of the pushbutton control switch.

FIG. 4 is a left side elevational view of the first embodiment of the searchlight showing the left side of the pushbutton control switch.

FIG. 5 is a right side elevational view of the first embodiment of the searchlight showing the right side of the pushbutton control switch.

FIG. 6 is a rear end view of the first embodiment of the searchlight showing the recharging connector, which is identical in the first and second embodiments.

FIG. 7 is a bottom elevational view of the first embodiment of the searchlight opposite the top view of FIG. 3.

FIG. 8 is a perspective view of a second embodiment of the searchlight with a filter attached to the front end.

FIG. 9 is a front end elevational view of the second embodiment of the searchlight looking into the filter.

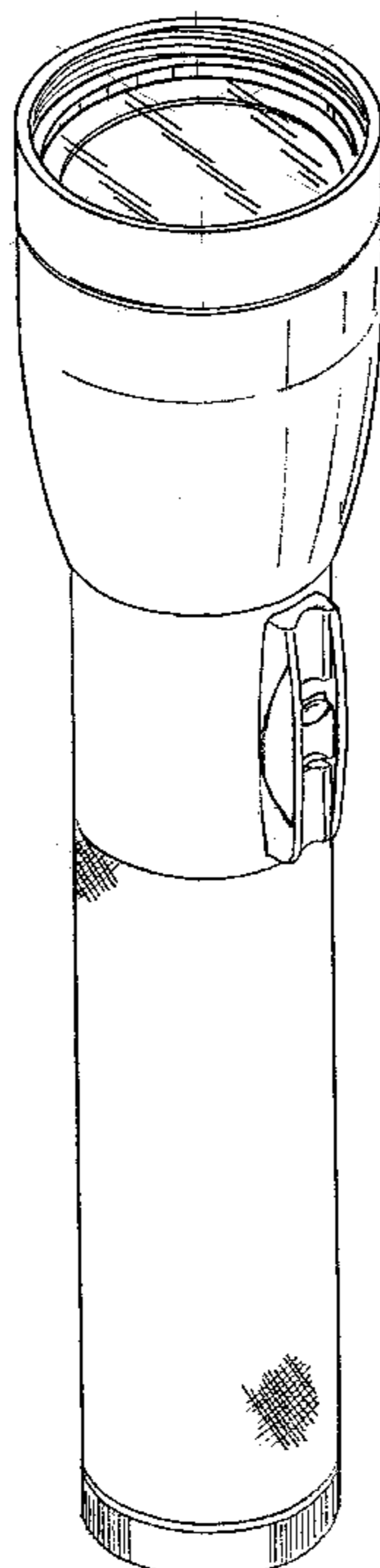
FIG. 10 is a top elevational view of the second embodiment of the searchlight showing the top of the pushbutton control switch.

FIG. 11 is a left side elevational view of the second embodiment of searchlight showing the left side of the pushbutton control switch.

FIG. 12 is a right side elevational view of the second embodiment of searchlight showing the right side of the pushbutton control switch; and,

FIG. 13 is a bottom elevational view of the second embodiment of searchlight opposite the top view of FIG. 10.

1 Claim, 6 Drawing Sheets



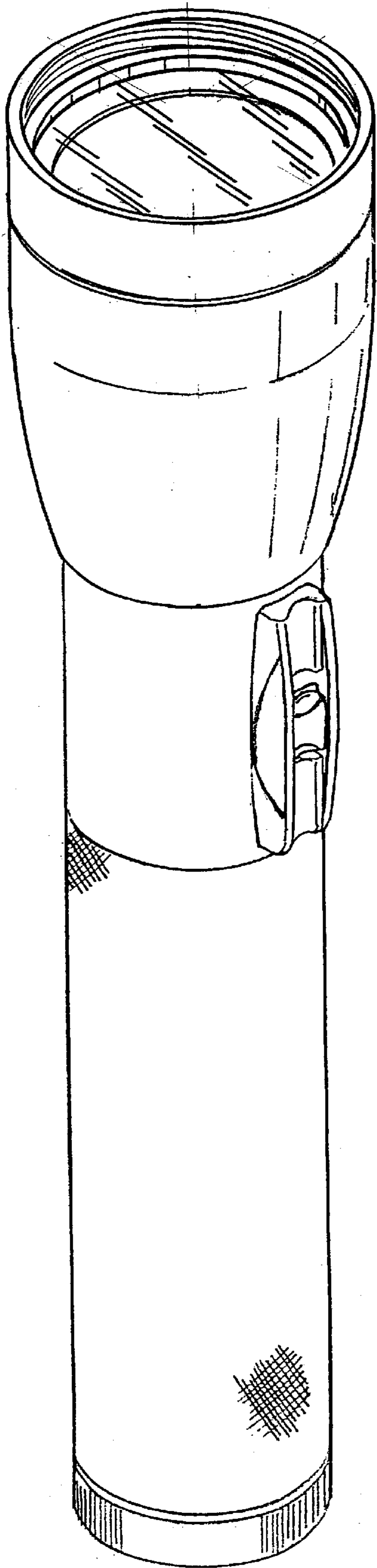


Fig. 1

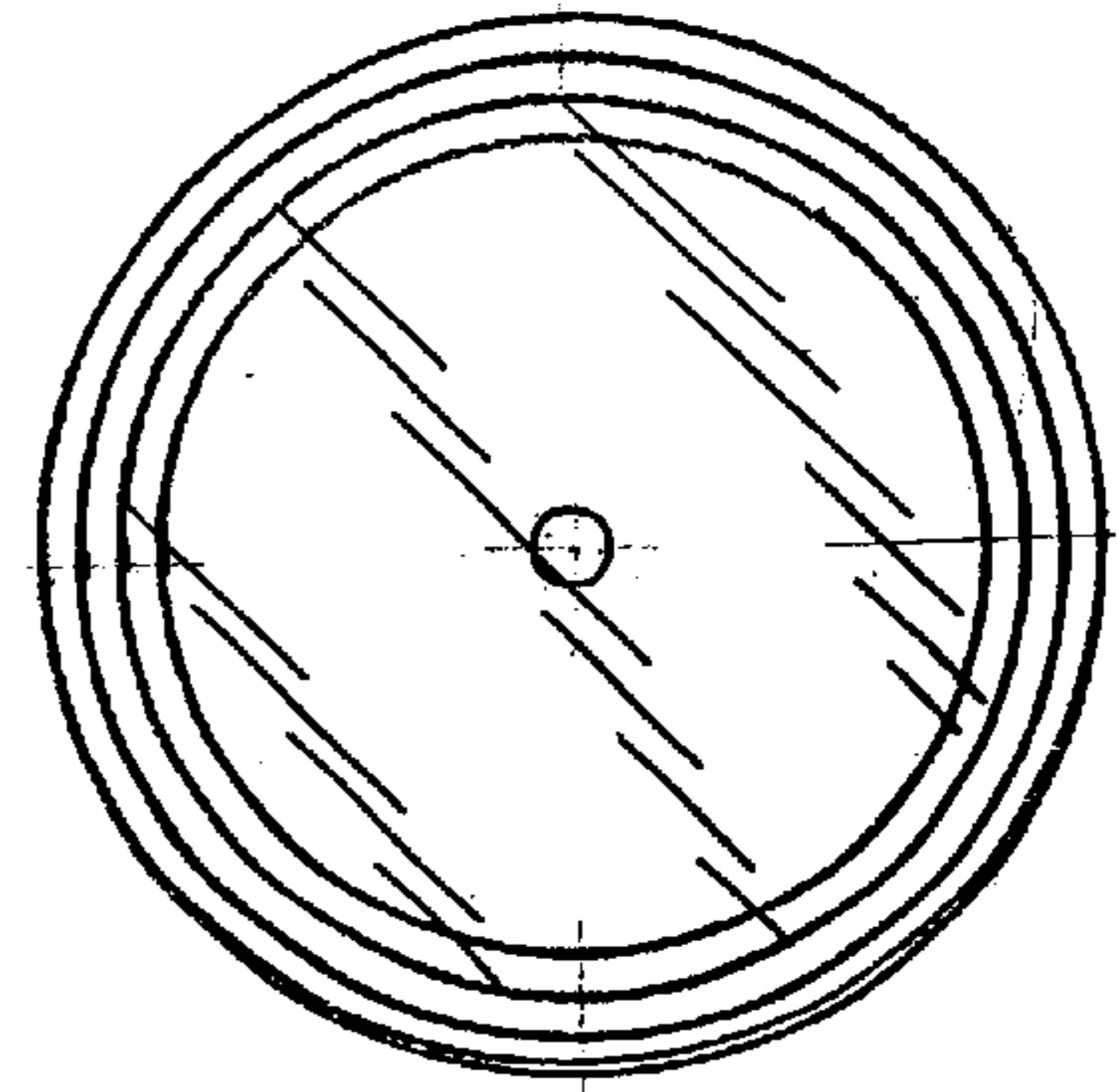


Fig. 2

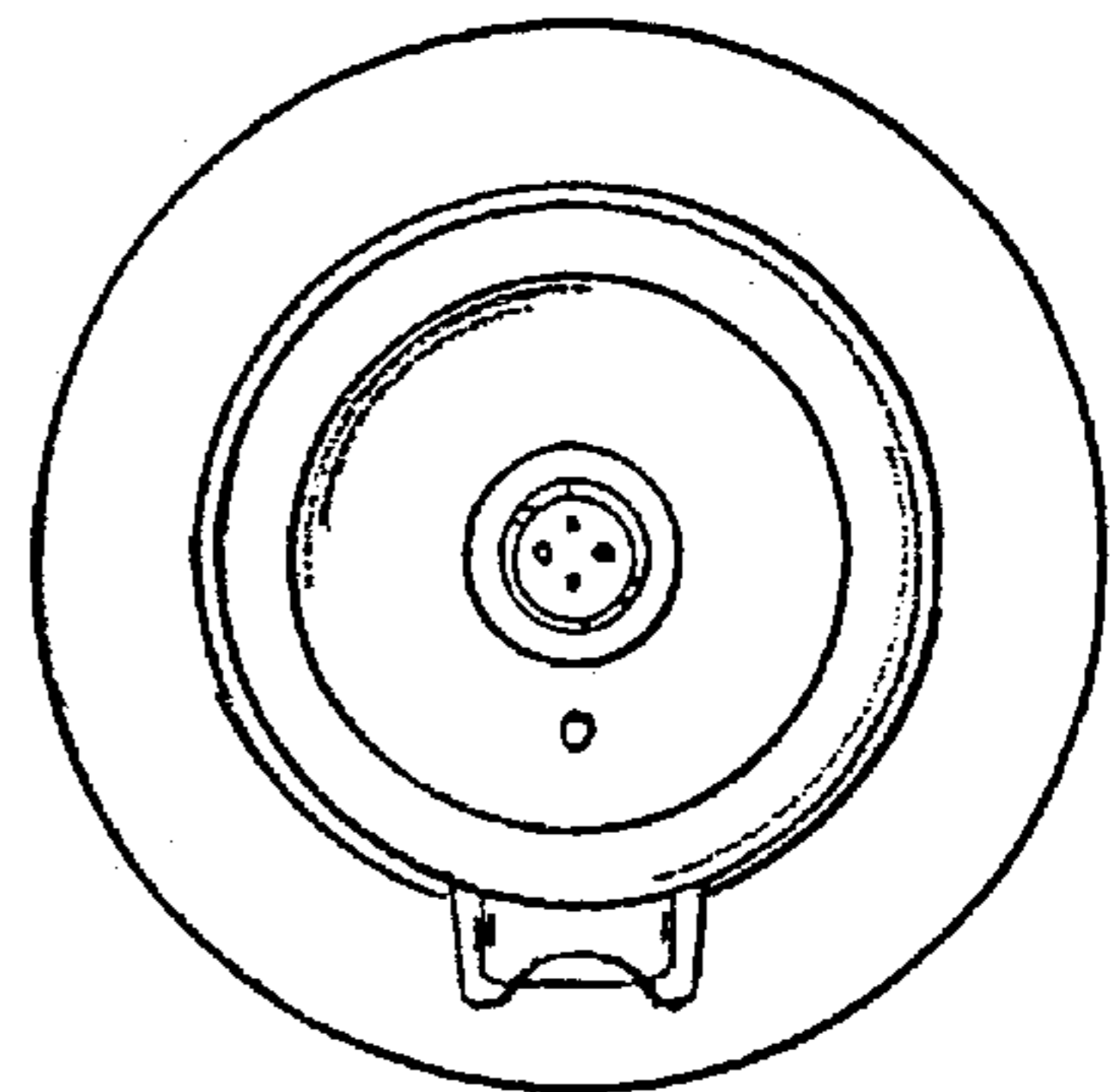


Fig. 6

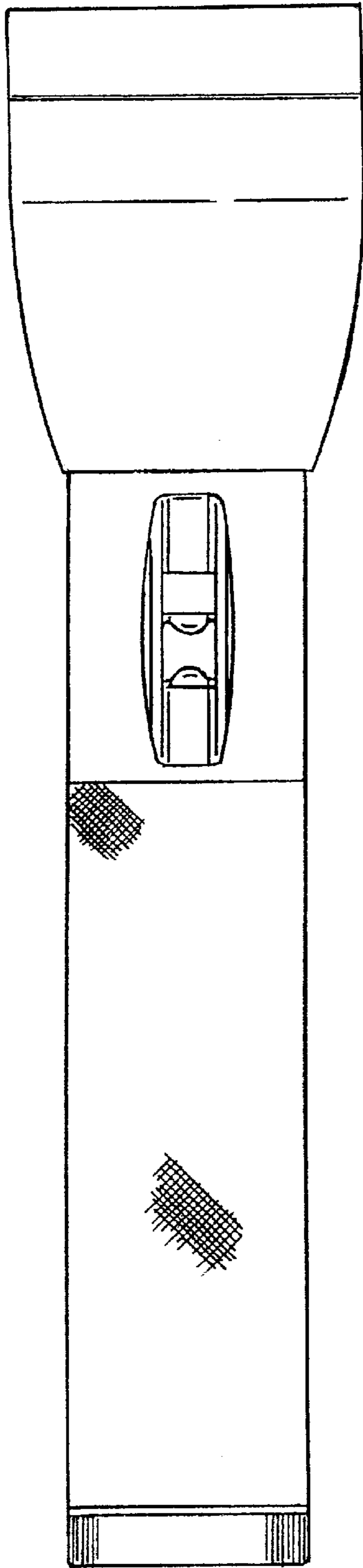


Fig. 3

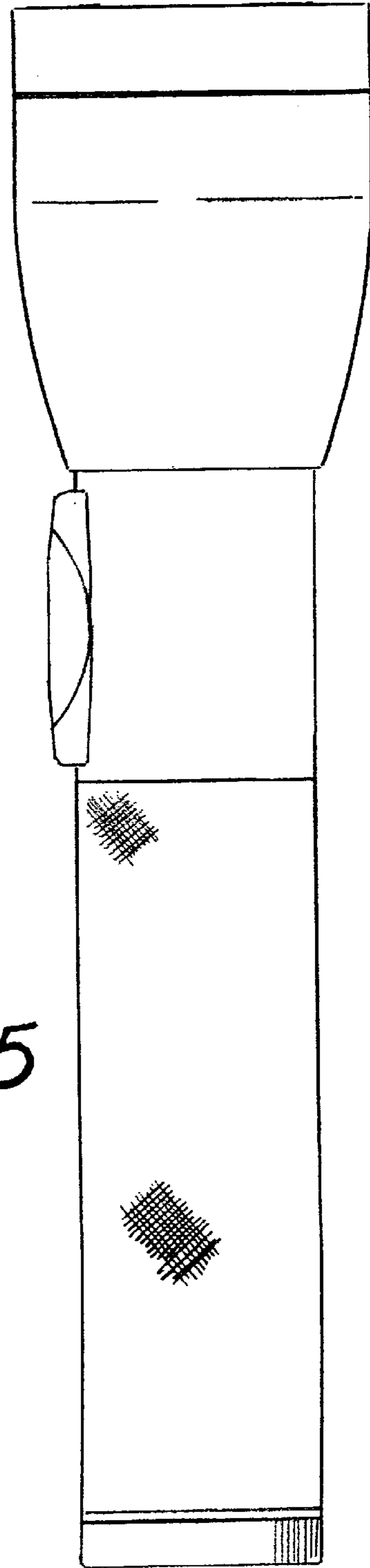


Fig. 5

Fig. 4

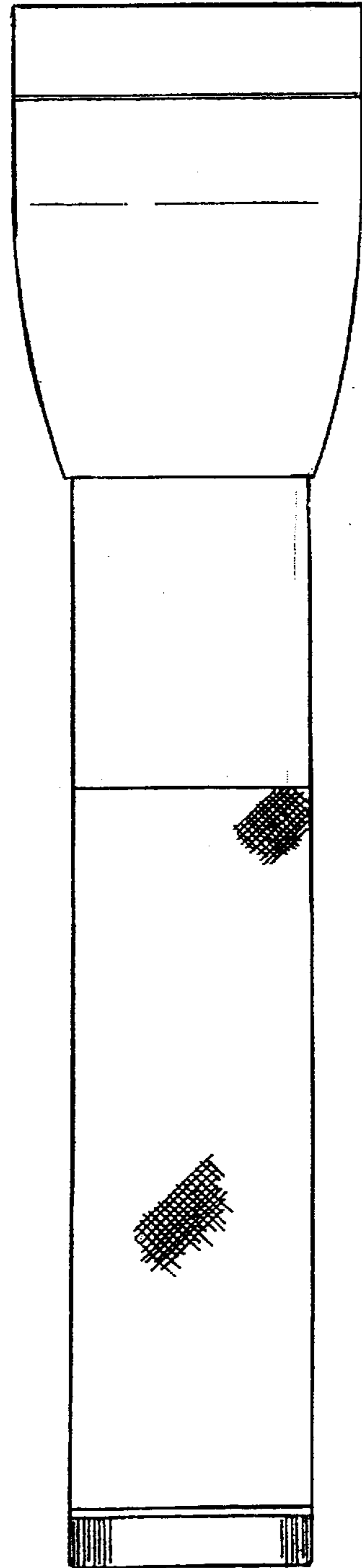
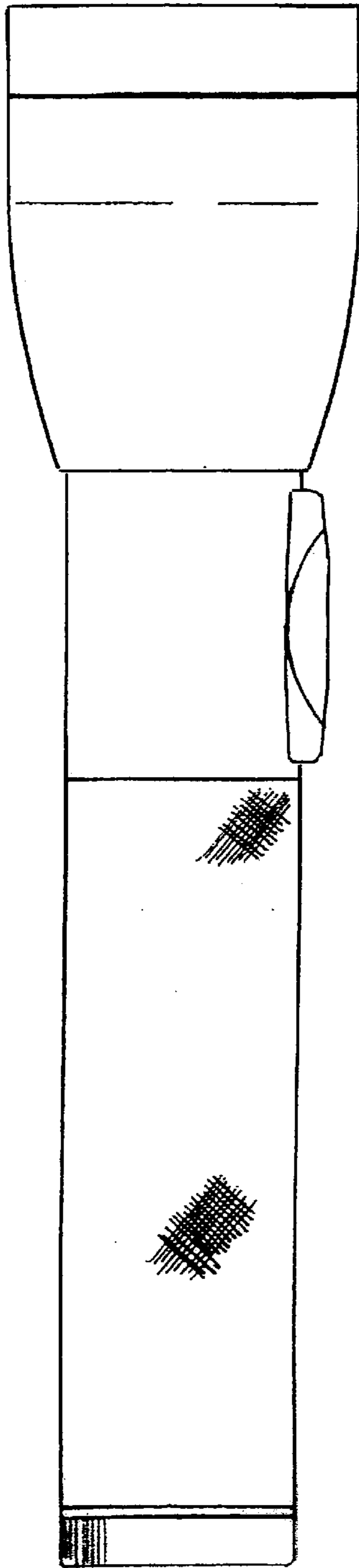


Fig. 7

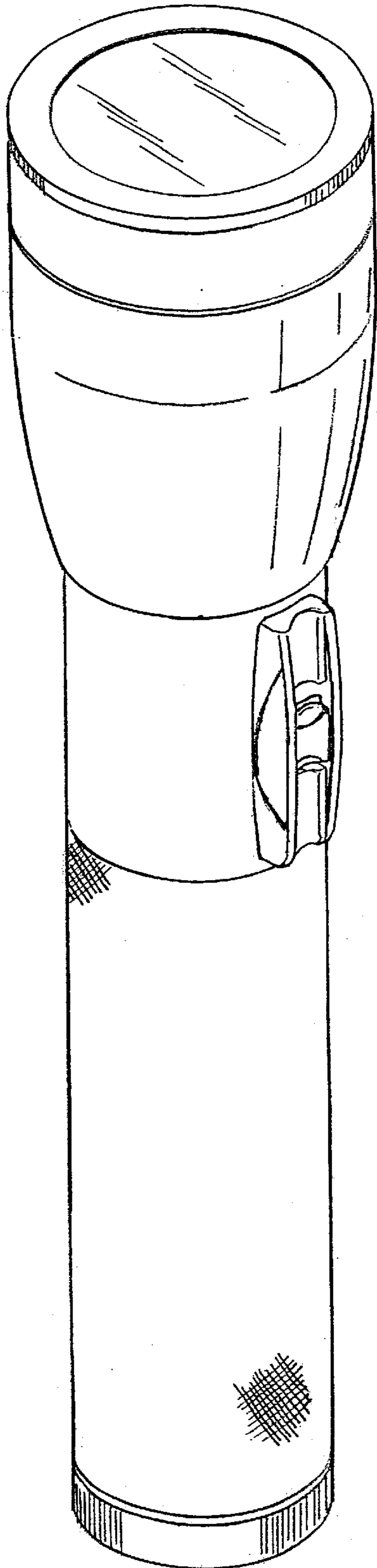


Fig. 8

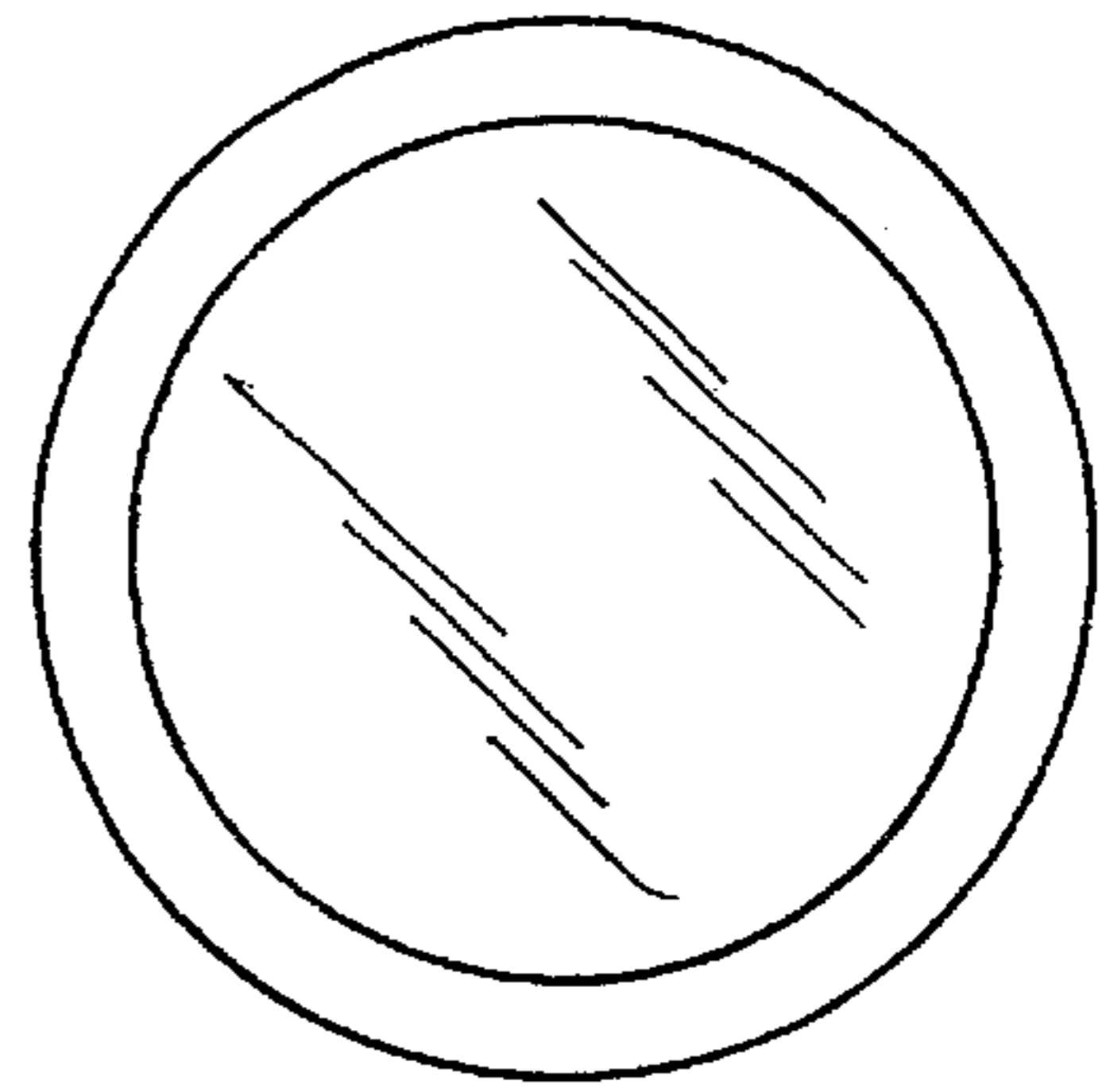


Fig. 9

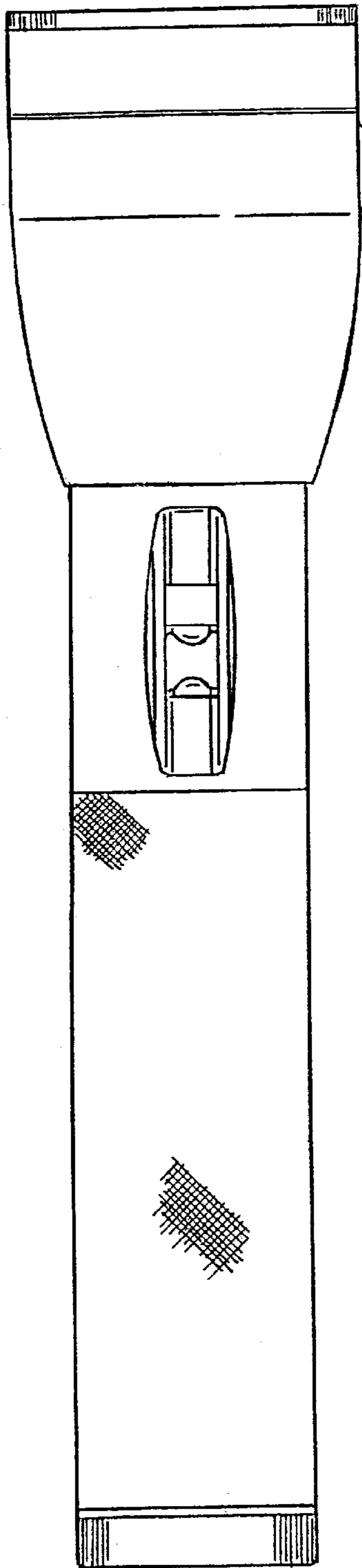


Fig. 10

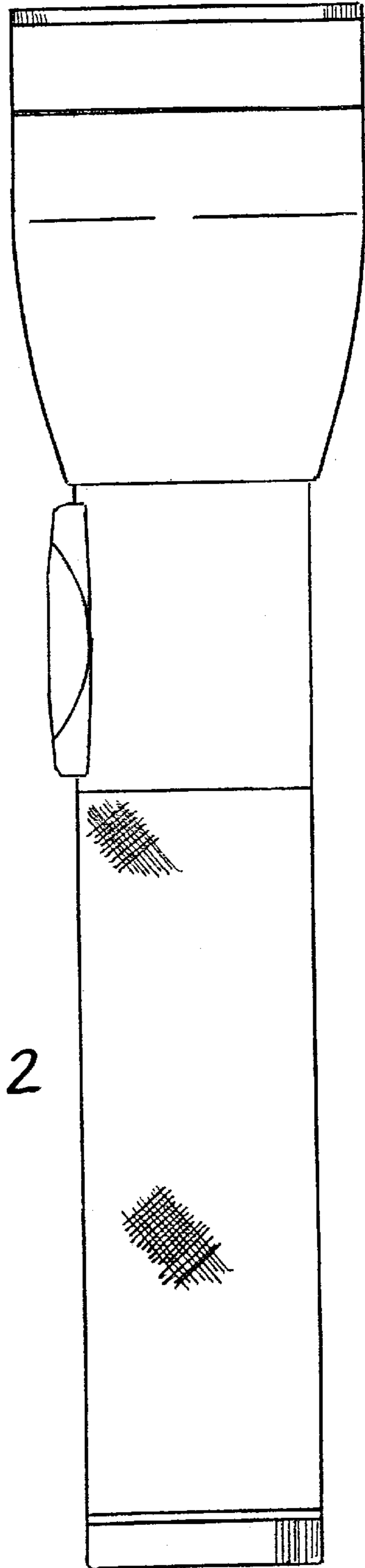


Fig 12

Fig. 11

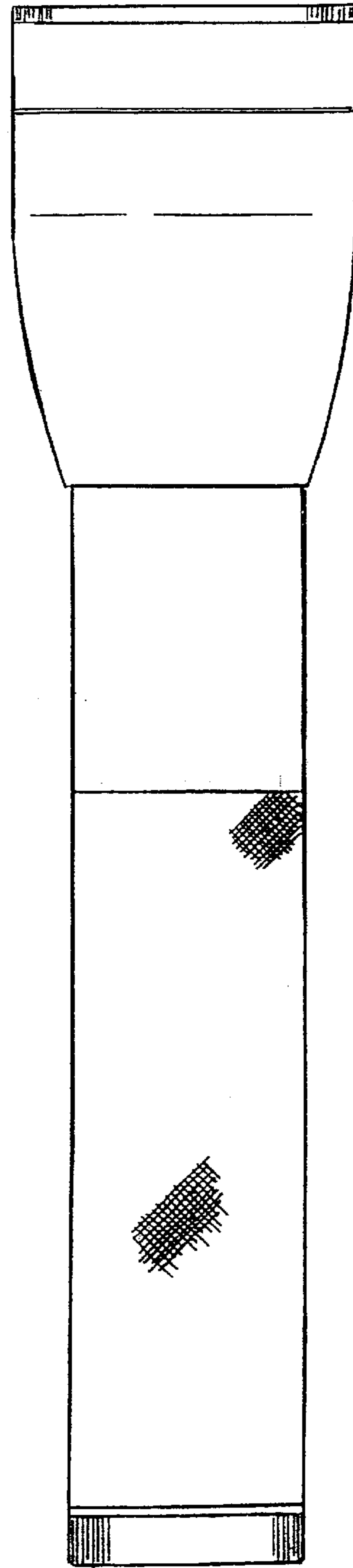
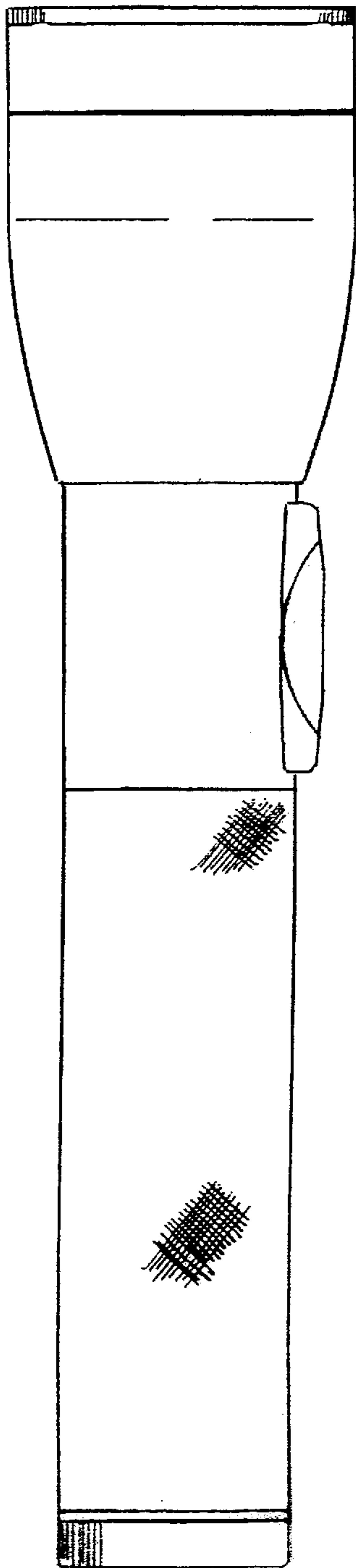


Fig. 13