



US00D490922S

(12) **United States Design Patent**
Chen

(10) **Patent No.:** **US D490,922 S**

(45) **Date of Patent:** **** Jun. 1, 2004**

(54) **CAR-USED AUXILIARY LIGHT**

D445,926 S * 7/2001 Cheong D26/37

(76) Inventor: **Chung Yang Chen**, 3F, No. 2, Lane
497, Chung-Cheng Rd., Hsintien City,
Taipei County (TW)

* cited by examiner

Primary Examiner—Marcus A. Jackson
(74) *Attorney, Agent, or Firm*—Troxell Law Office PLLC

(**) Term: **14 Years**

(57) **CLAIM**

(21) Appl. No.: **29/190,175**

The ornamental design for car-used auxiliary light, shown
and described.

(22) Filed: **Sep. 17, 2003**

(51) **LOC (7) Cl.** **26-02**

(52) **U.S. Cl.** **D26/37**

(58) **Field of Search** D26/37-50; 362/157,
362/158, 171-173, 183-208

DESCRIPTION

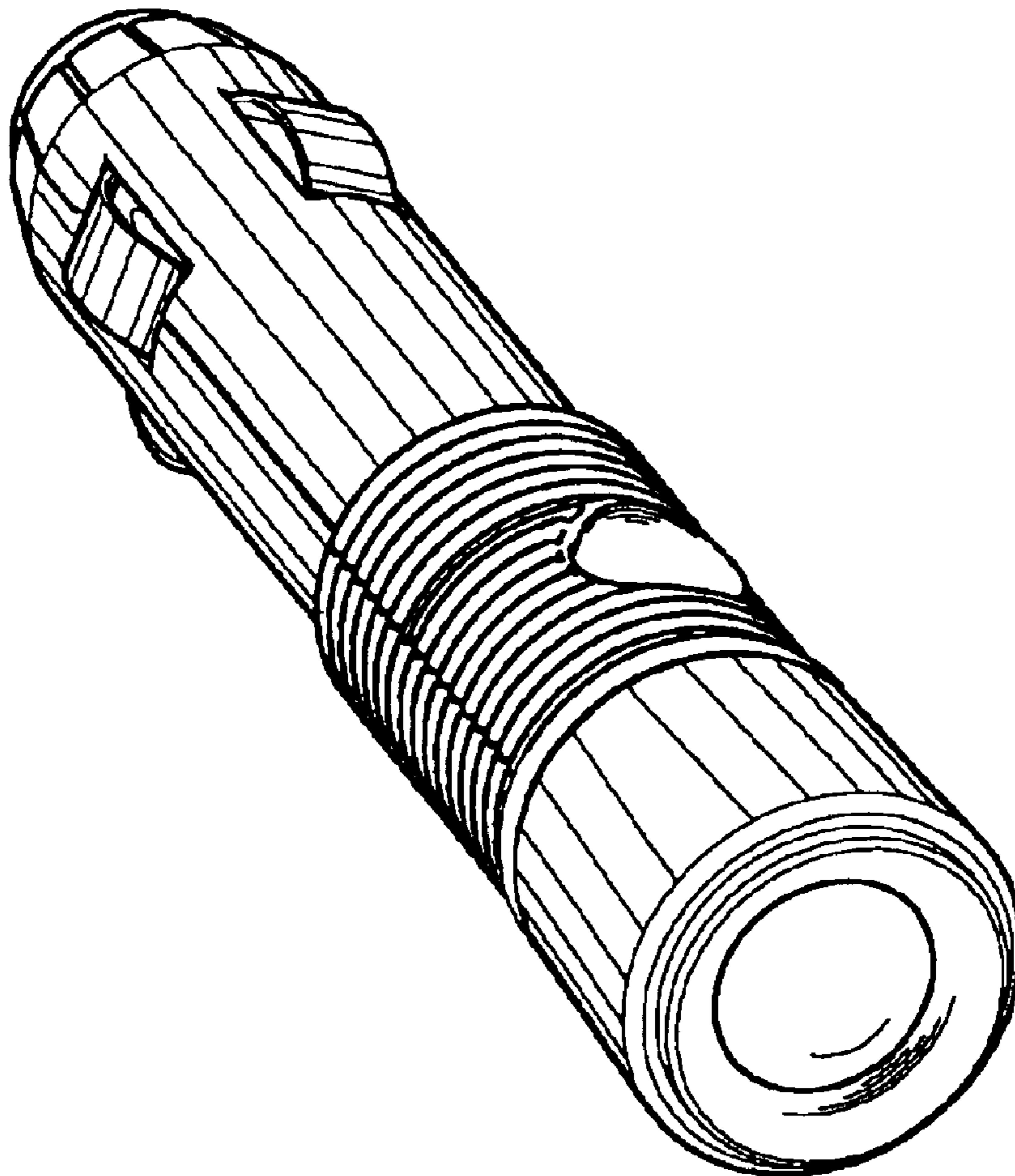
FIG. 1 is a front side perspective view showing our new
design for car-used auxiliary light;
FIG. 2 is a front elevational view thereof;
FIG. 3 is a rear elevational view thereof;
FIG. 4 is a left side elevational view thereof;
FIG. 5 is a right side elevational view thereof;
FIG. 6 is a top view thereof; and,
FIG. 7 is a bottom view thereof.

(56) **References Cited**

U.S. PATENT DOCUMENTS

D403,450 S	*	12/1998	Ting	D26/37
D429,830 S	*	8/2000	Ting	D26/37
D429,831 S	*	8/2000	Ting	D26/37
D443,705 S	*	6/2001	Sanders	D26/37

1 Claim, 4 Drawing Sheets



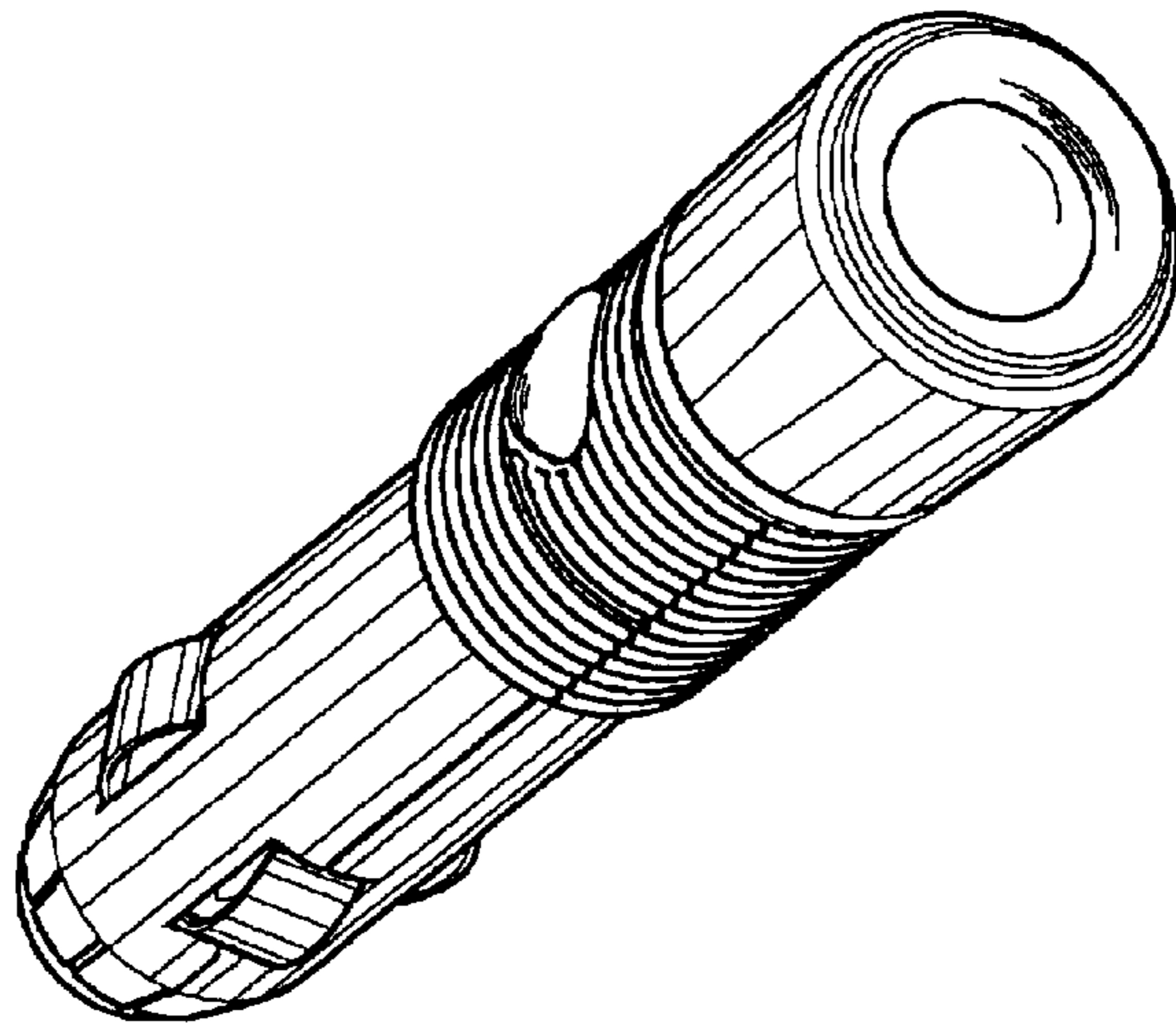


Fig. 1

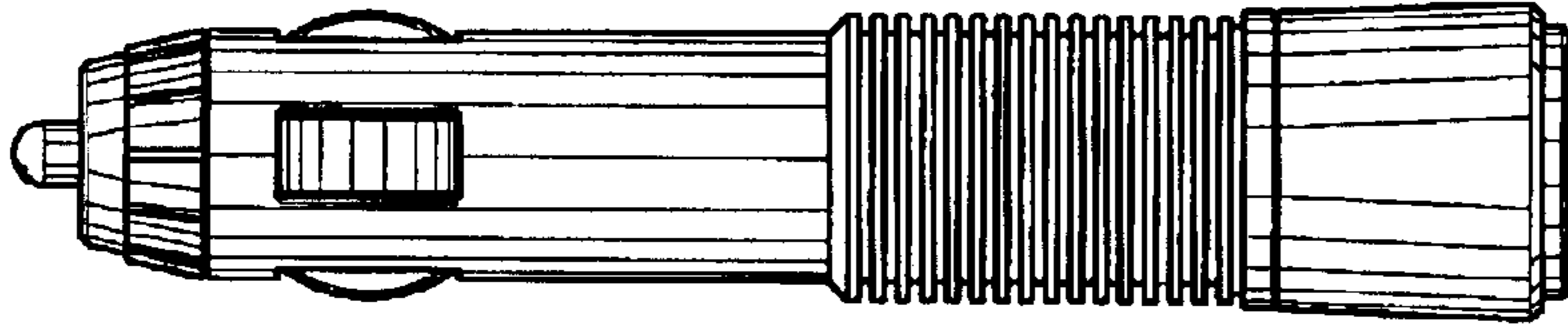


Fig. 3

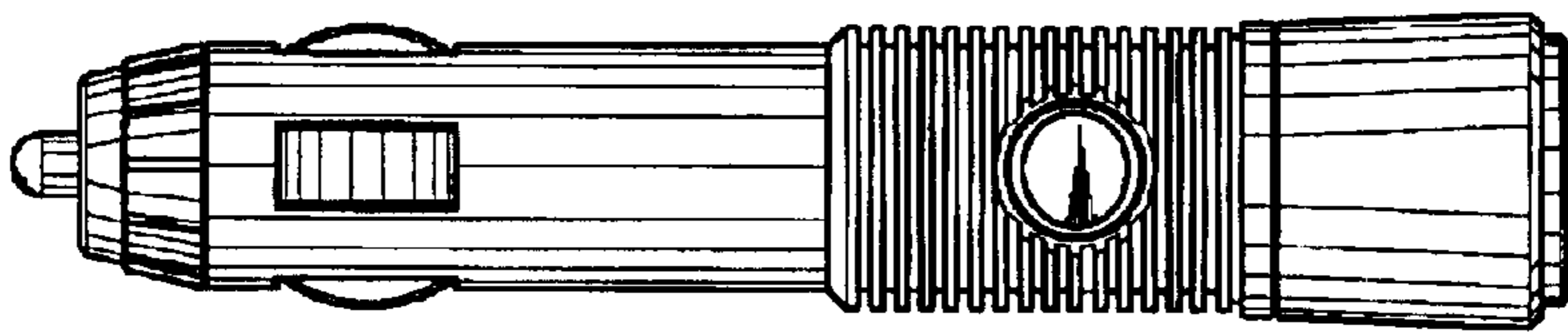


Fig. 2

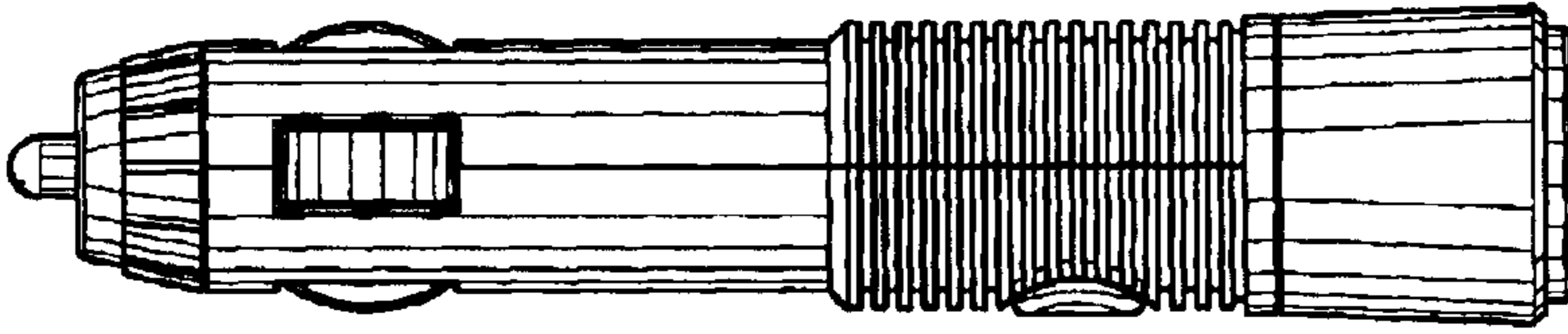


Fig. 5

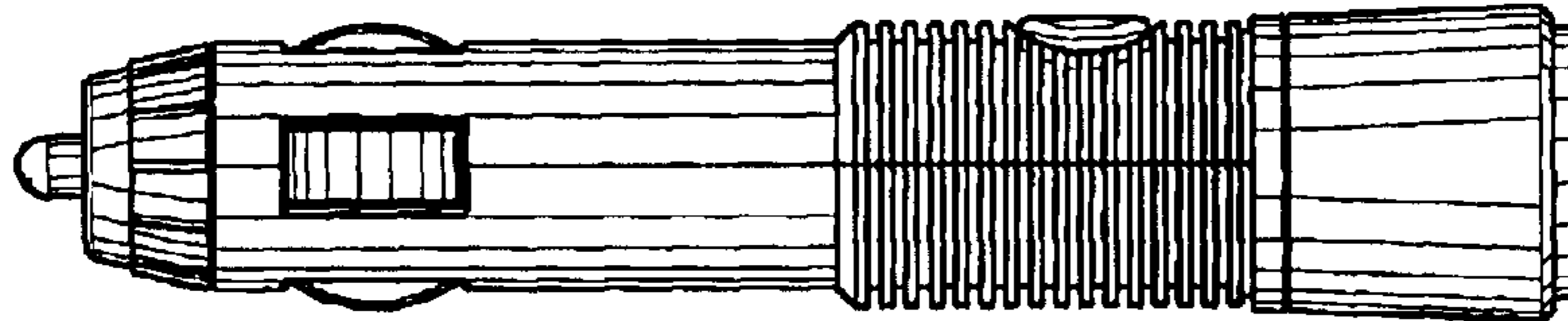


Fig. 4

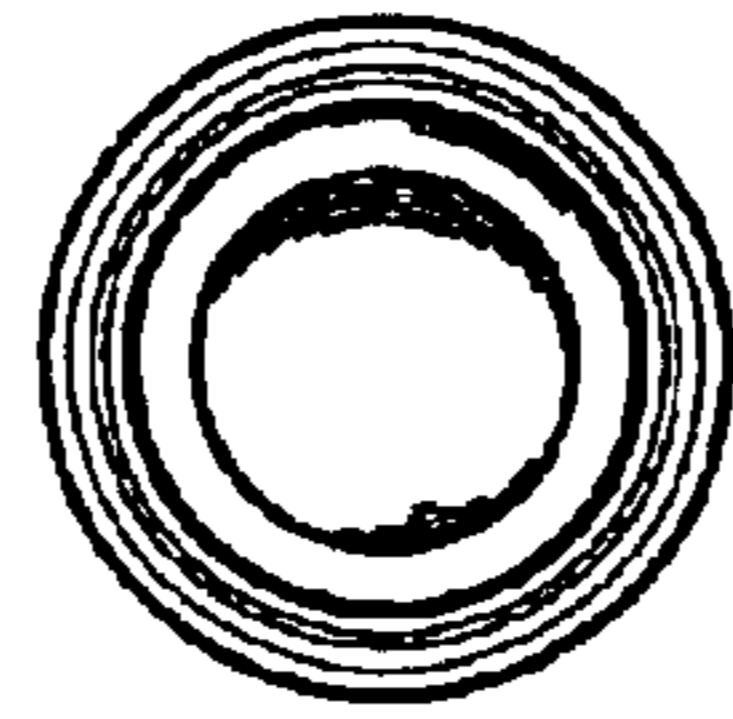


Fig. 7

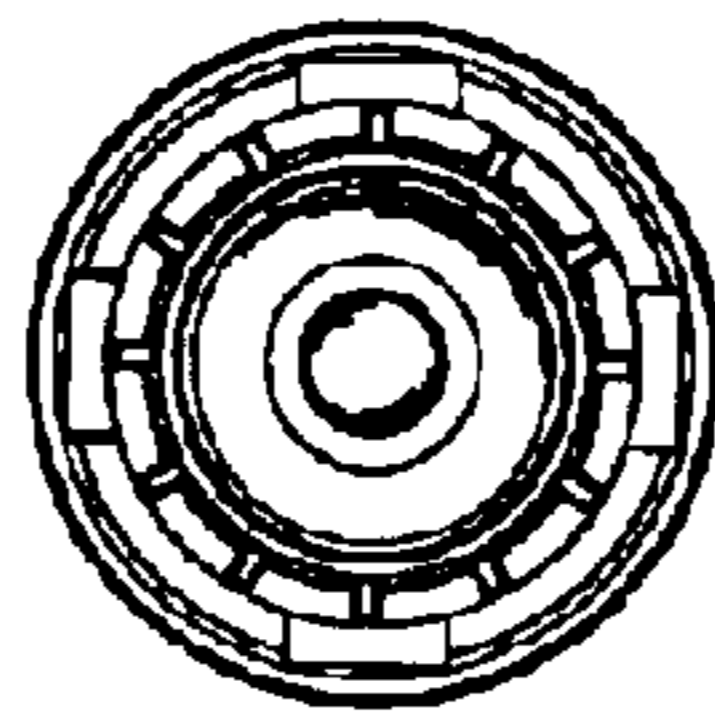


Fig. 6