



US00D490921S

(12) **United States Design Patent**
Ashfield et al.

(10) **Patent No.:** **US D490,921 S**

(45) **Date of Patent:** **** Jun. 1, 2004**

(54) **FLASHLIGHT**

(75) Inventors: **Lea Antony Ashfield**, Yuen Long (HK);
Phaysouk Xayoiphonh, Columbus, OH
(US); **Taku Ohi**, Greer, SC (US)

(73) Assignee: **One World Technologies Limited**,
Hamilton (BM)

(**) Term: **14 Years**

(21) Appl. No.: **29/188,034**

(22) Filed: **Aug. 12, 2003**

(51) **LOC (7) Cl.** **26-02**

(52) **U.S. Cl.** **D26/37**

(58) **Field of Search** D26/37-50; 362/157,
362/158, 171-173, 183-208

(56) **References Cited**

U.S. PATENT DOCUMENTS

D390,985 S	2/1998	Shiau	D26/43
D392,759 S	3/1998	Howard et al.	D26/44
D405,552 S	2/1999	Howard et al.	D26/44
D422,730 S	4/2000	Byler et al.	D26/44
D428,175 S	7/2000	Lynch et al.	D26/44
D444,363 S	7/2001	Hayakawa et al.	D8/61

D447,585 S	*	9/2001	Dalton et al.	D26/37
D447,924 S		9/2001	Neitzell et al.	D8/64
D467,375 S		12/2002	Lynch et al.	D26/44
D469,200 S		1/2003	Jong	D26/44
D479,620 S	*	9/2003	Leung	D26/37
D485,628 S	*	1/2004	Yuen	D26/37

* cited by examiner

Primary Examiner—Marcus A. Jackson

(74) *Attorney, Agent, or Firm*—John B. Hardaway, III;
Nexsen Pruet

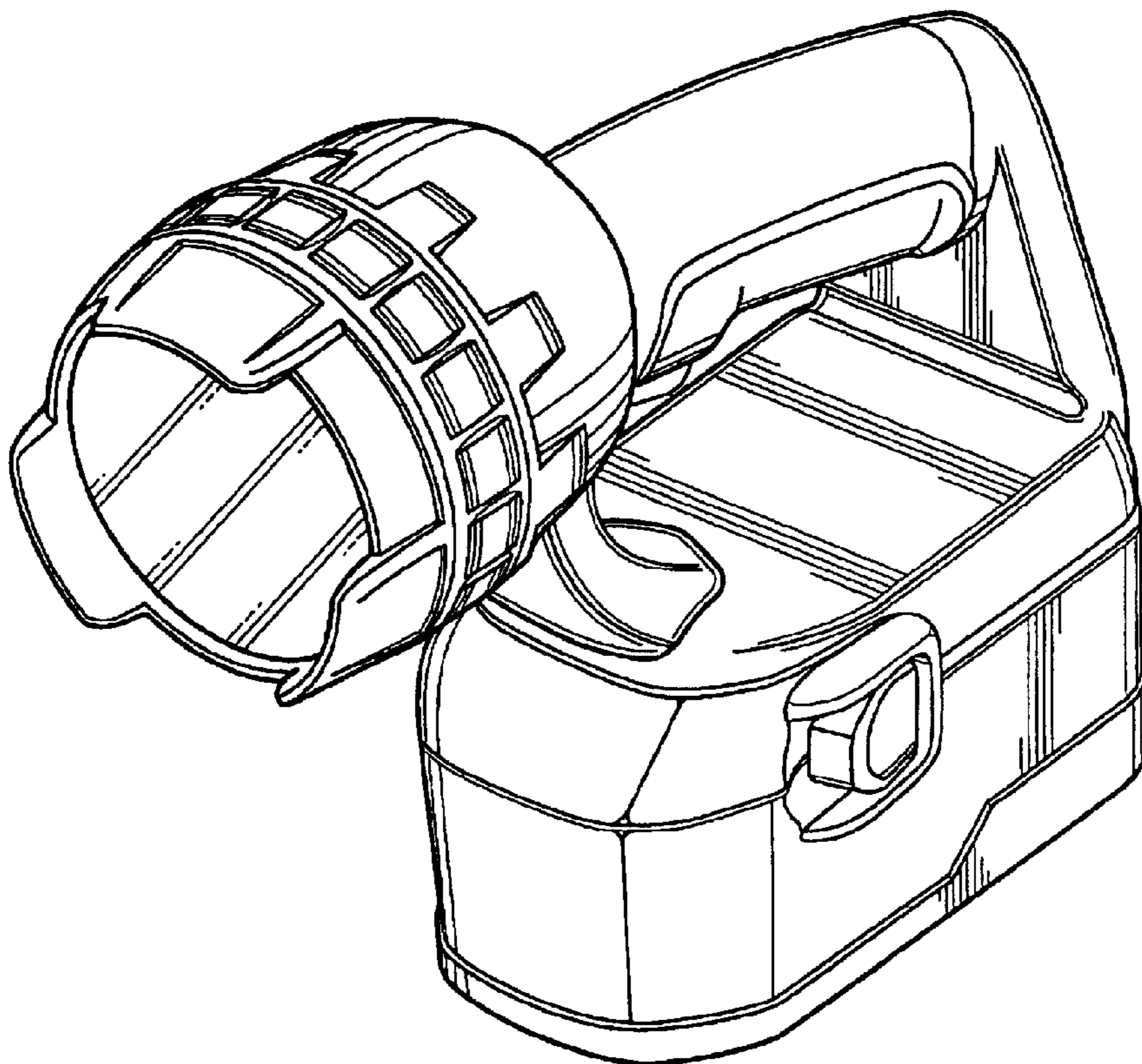
(57) **CLAIM**

The ornamental design for a flashlight, as shown and described.

DESCRIPTION

FIG. 1 is a front perspective view of the flashlight of the present invention;
FIG. 2 is a right side elevational view thereof;
FIG. 3 is a left side elevational view thereof;
FIG. 4 is a front end view thereof;
FIG. 5 is a rear end view thereof;
FIG. 6 is a top view thereof; and,
FIG. 7 is a bottom view thereof.

1 Claim, 4 Drawing Sheets



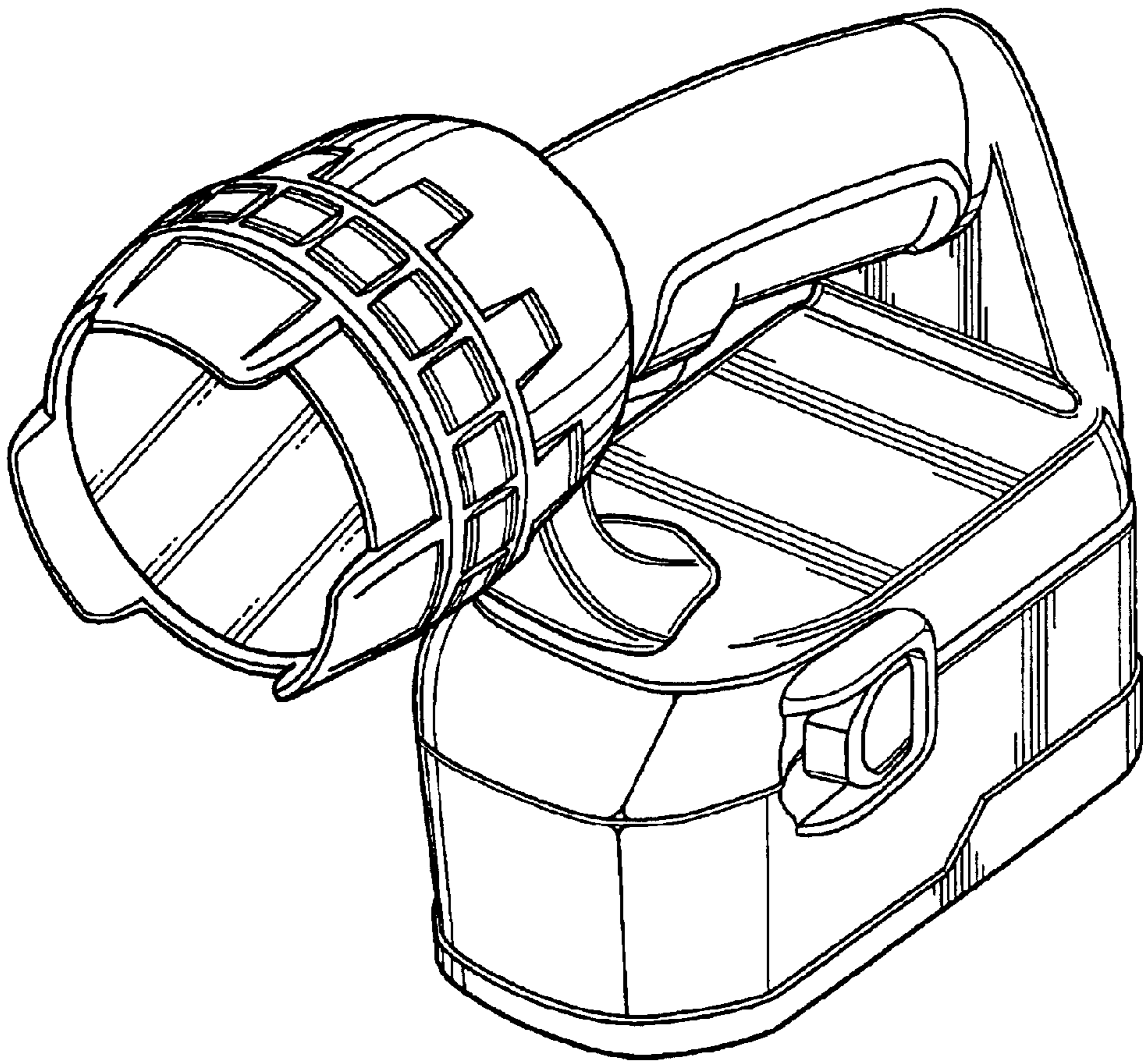


FIG. 1

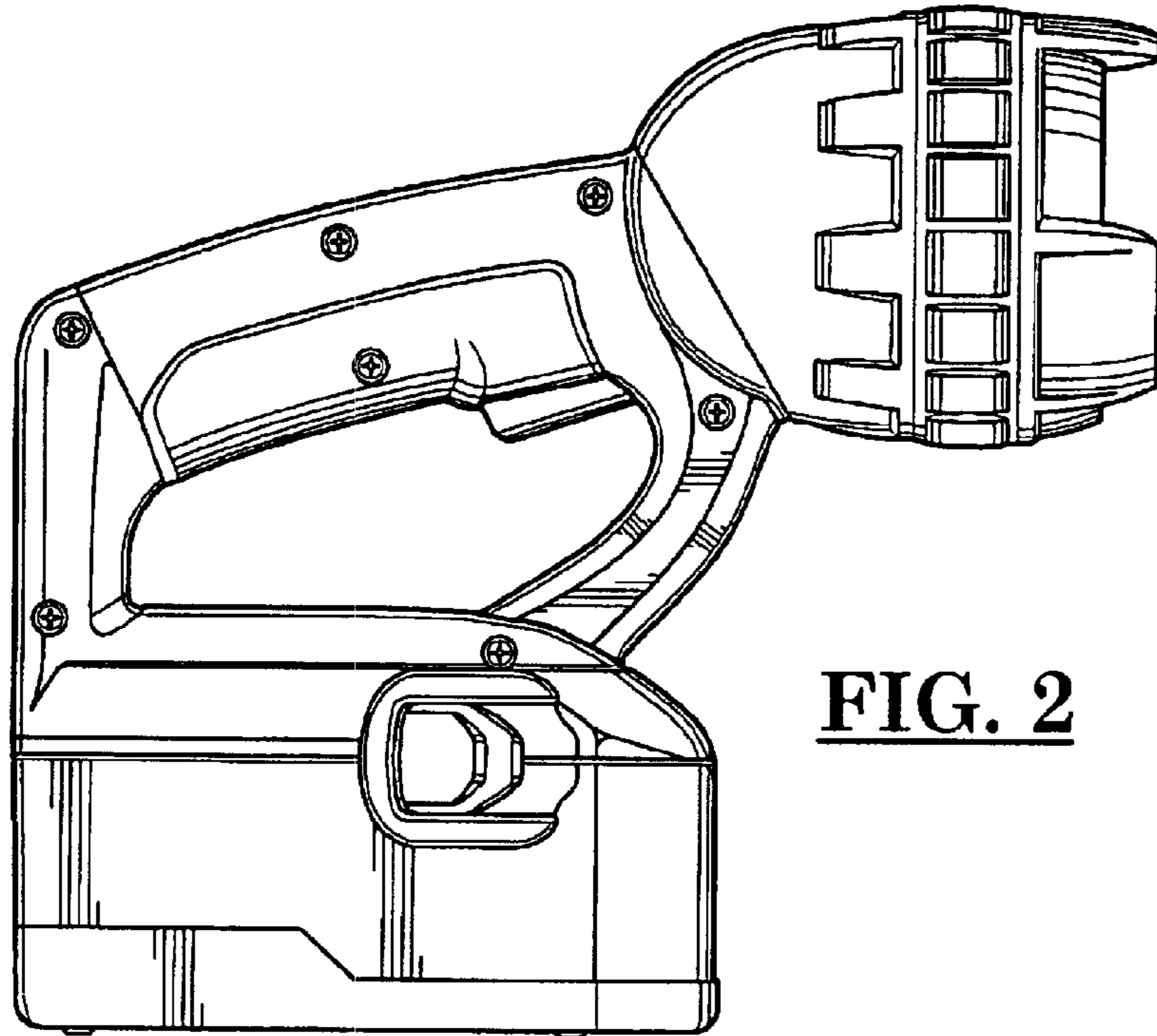


FIG. 2

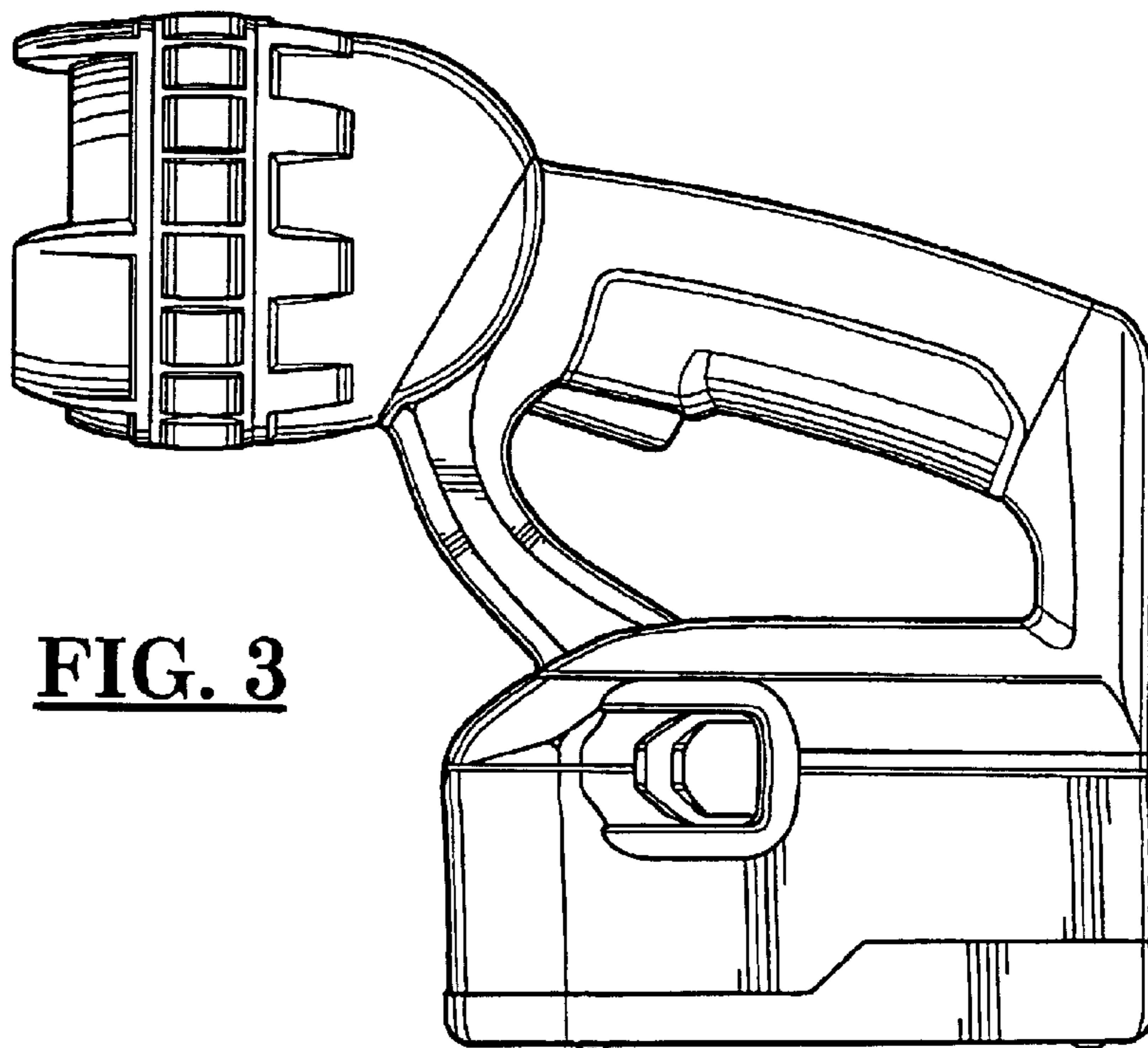


FIG. 3

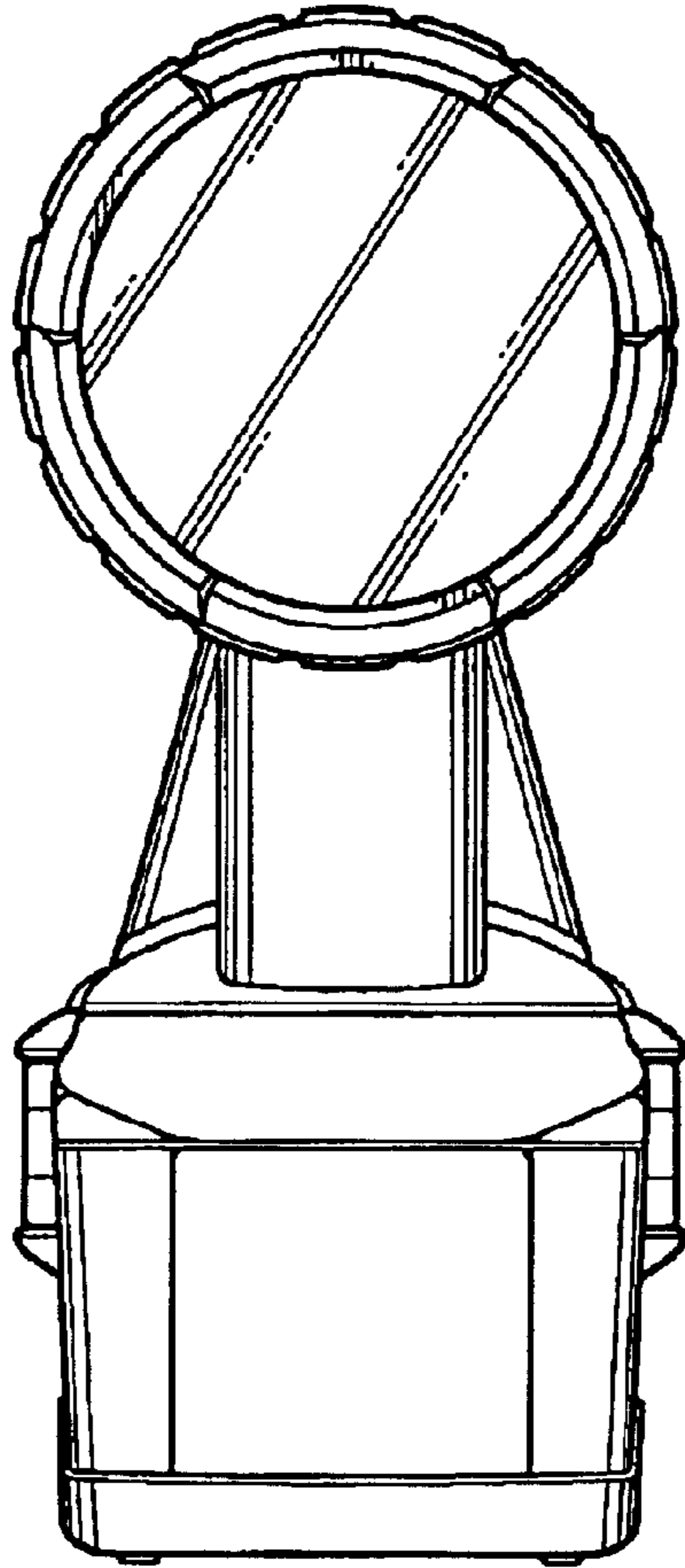


FIG. 4

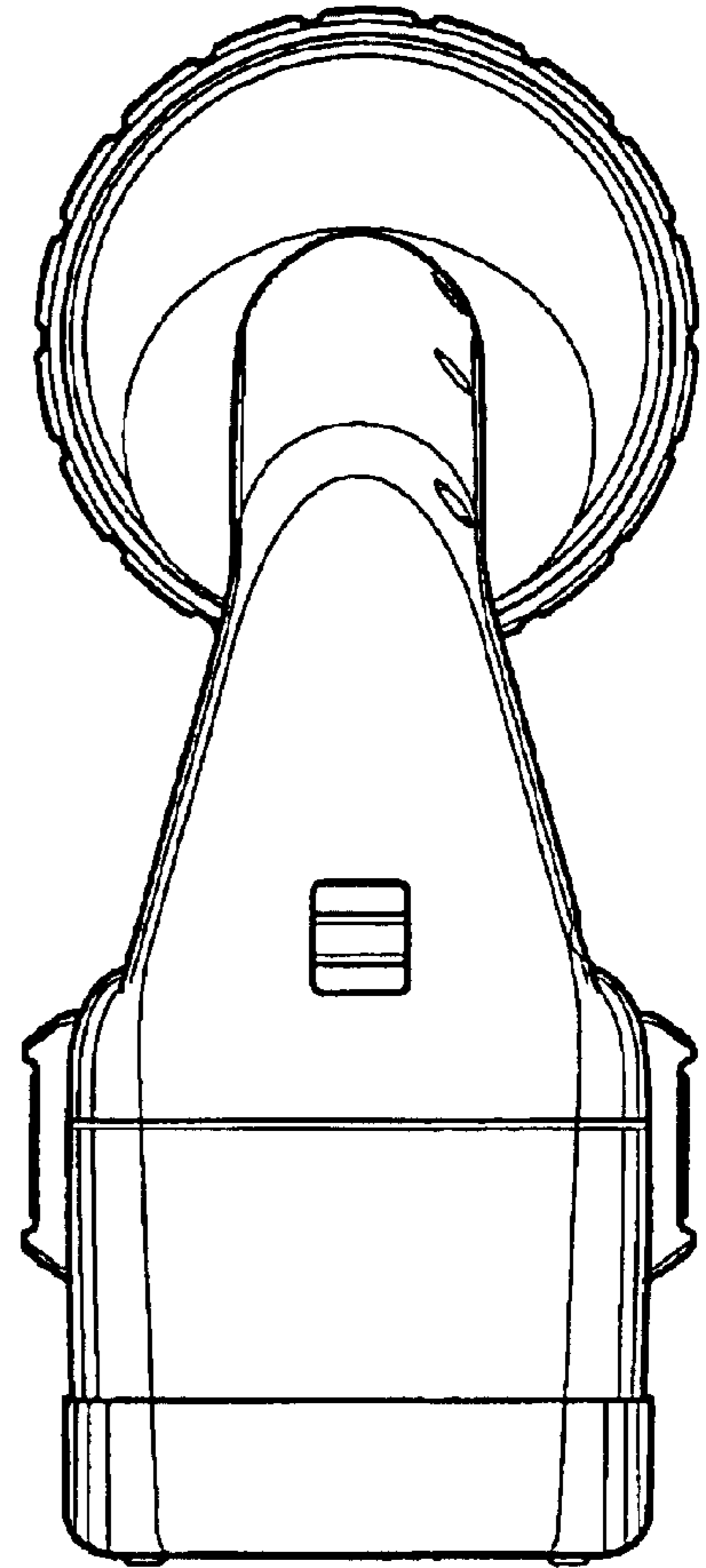


FIG. 5

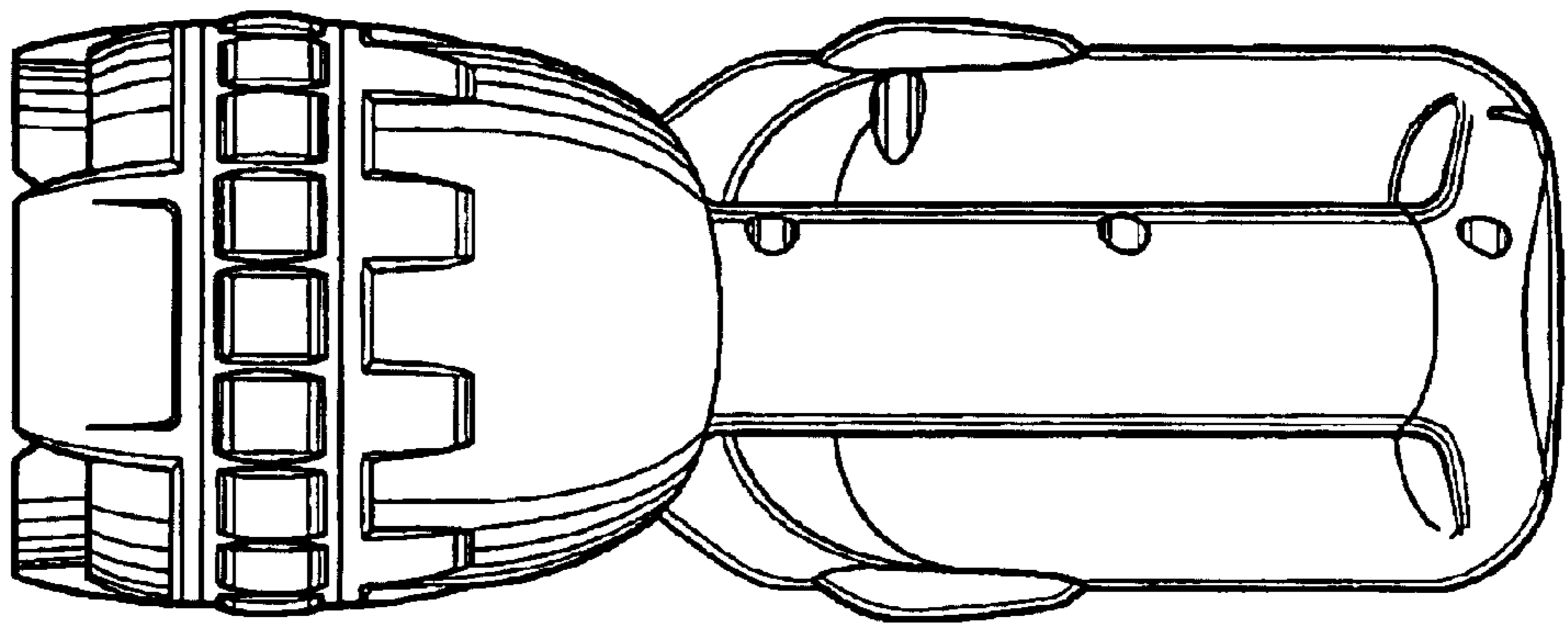


FIG. 6

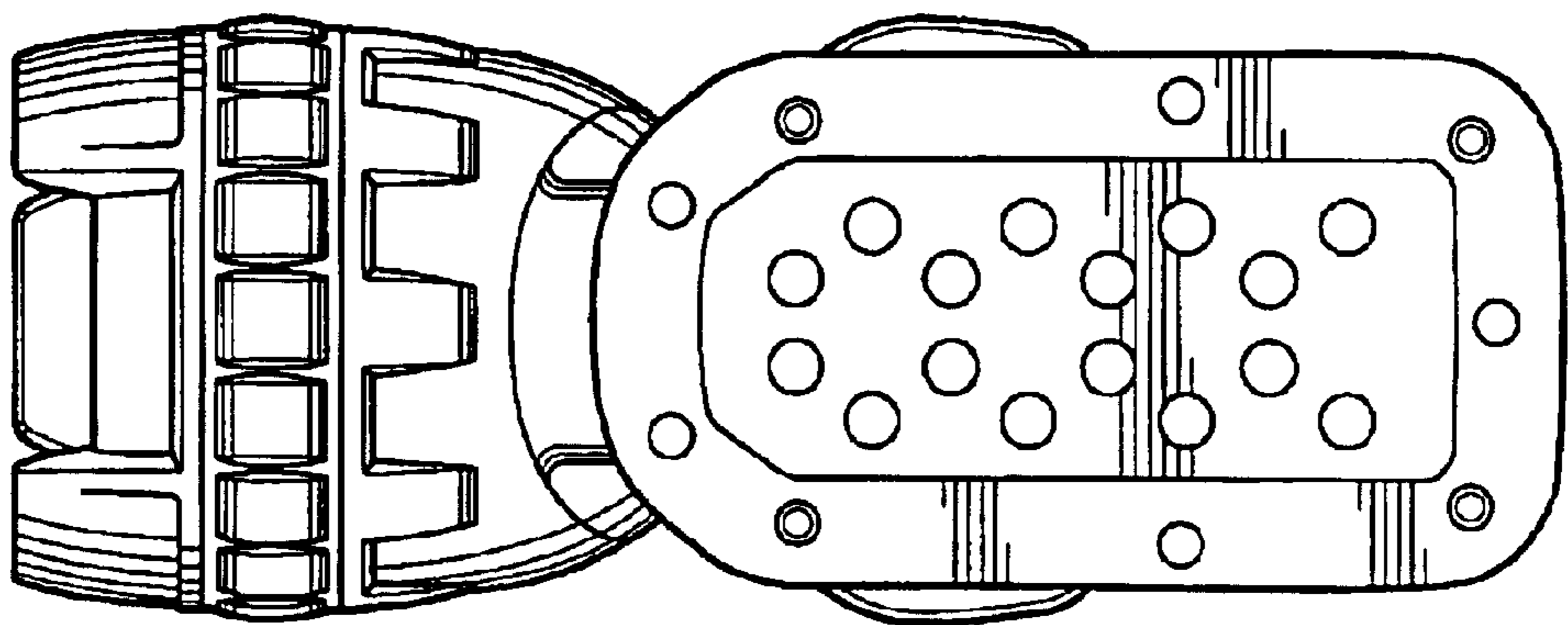


FIG. 7