



US00D490913S

(12) **United States Design Patent**
Habeck et al.

(10) **Patent No.:** **US D490,913 S**

(45) **Date of Patent:** **** Jun. 1, 2004**

(54) **PICTURE WINDOW REPLACEMENT
FRAME SILL**

(75) **Inventors:** **Jerome Carl Habeck**, Holt, MI (US);
Stanley M. Gursky, Yardley, PA (US);
Dennis C. Westphal, Parma, MI (US);
Edward M. McIntosh, West Chester,
PA (US)

(73) **Assignee:** **CertainTeed Corporation**, Valley
Forge, PA (US)

(**) **Term:** **14 Years**

(21) **Appl. No.:** **29/178,770**

(22) **Filed:** **Mar. 31, 2003**

(51) **LOC (7) Cl.** **25-01**

(52) **U.S. Cl.** **D25/124**

(58) **Field of Search** D25/52, 60, 119-125;
52/204.5, 209; 49/501, 504, 304, 476.1,
DIG. 2

(56) **References Cited**

U.S. PATENT DOCUMENTS

5,123,212 A * 6/1992 Dallaire et al. 52/209
D436,407 S * 1/2001 Morton et al. D25/124

* cited by examiner

Primary Examiner—Doris Clark

(74) *Attorney, Agent, or Firm*—Duane Morris LLP

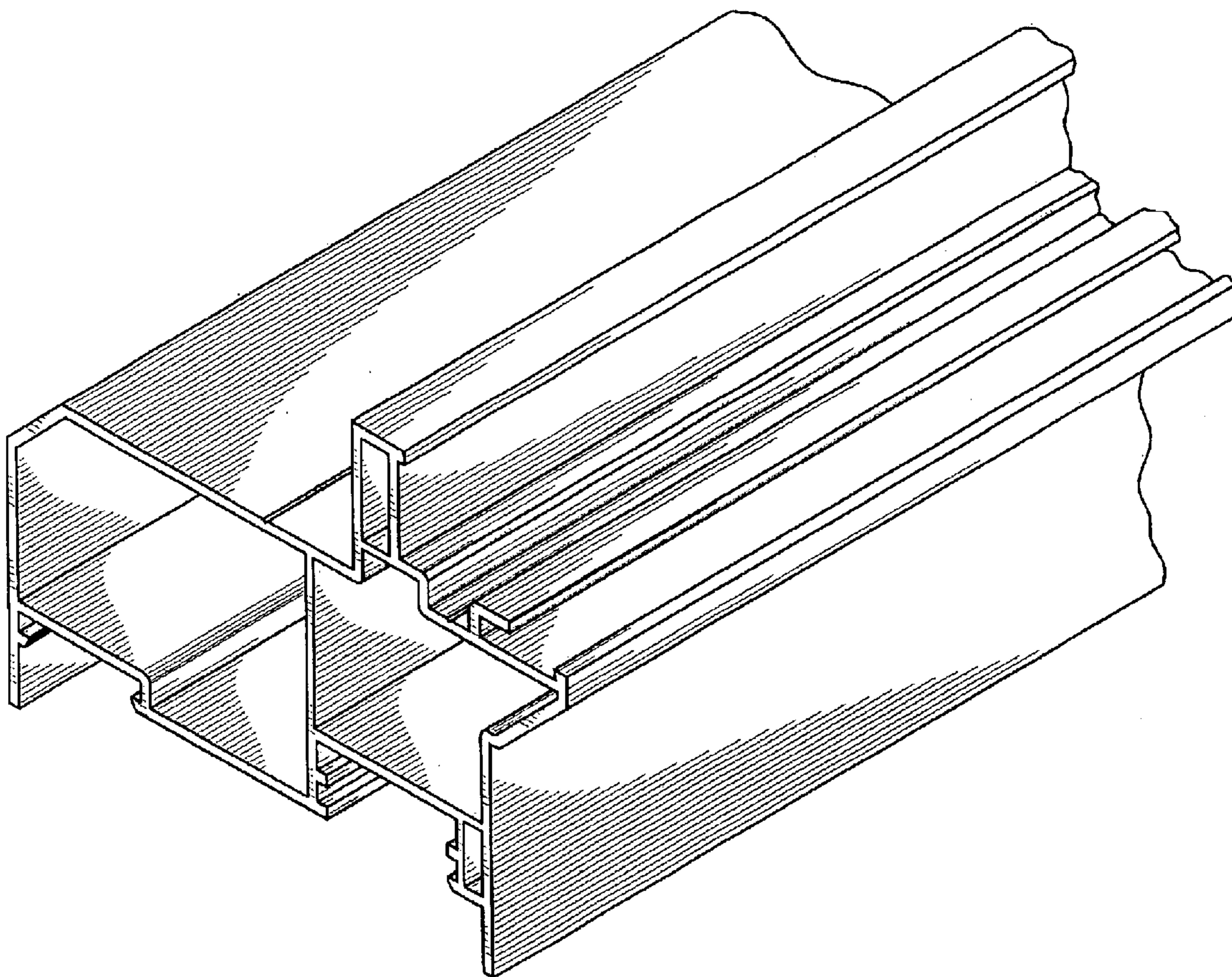
(57) **CLAIM**

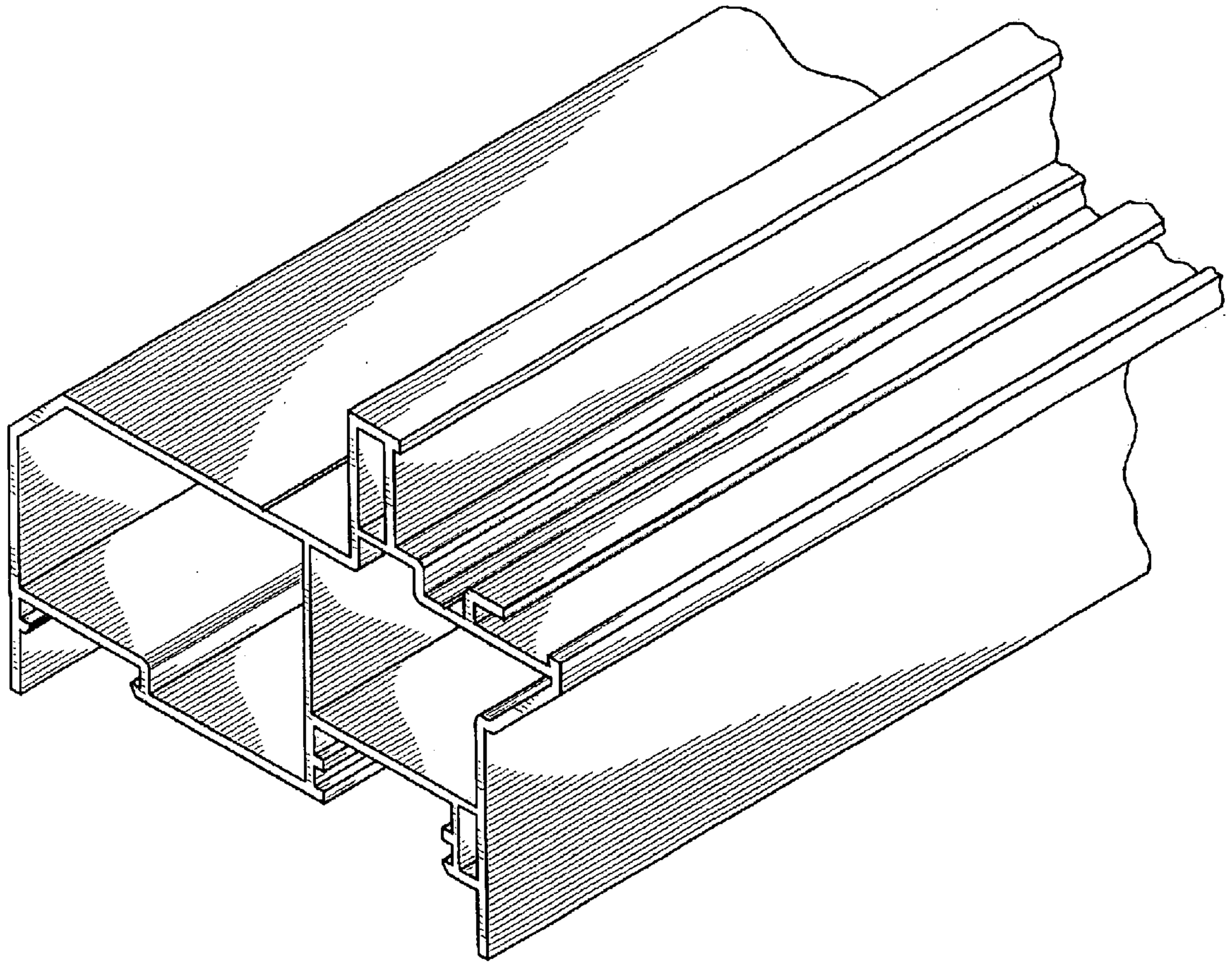
The ornamental design for a picture window replacement
frame sill, as shown and described.

DESCRIPTION

The FIGURE is a front perspective view of a picture window
replacement frame sill, showing our new design, the rear
perspective view being a mirror image, and which is shown
fragmented indicating indefinite length.

1 Claim, 1 Drawing Sheet





THE FIGURE