



US00D490912S

(12) **United States Design Patent**  
**Habeck et al.**

(10) **Patent No.:** **US D490,912 S**

(45) **Date of Patent:** **\*\* Jun. 1, 2004**

(54) **SASH WITH INTERLOCK FOR A WINDOW**

(75) **Inventors:** **Jerome Carl Habeck**, Holt, MI (US);  
**Stanley M. Gursky**, Yardley, PA (US);  
**Dennis C. Westphal**, Parma, MI (US);  
**Edward M. McIntosh**, West Chester,  
PA (US)

(73) **Assignee:** **CertainTeed Corporation**, Valley  
Forge, PA (US)

(\*\*) **Term:** **14 Years**

(21) **Appl. No.:** **29/178,768**

(22) **Filed:** **Mar. 31, 2003**

(51) **LOC (7) Cl.** ..... **25-01**

(52) **U.S. Cl.** ..... **D25/124**

(58) **Field of Search** ..... D25/52, 60, 119-125;  
52/204.5, 209; 49/501, 504, 304, 476.1,  
DIG. 2, 458

(56) **References Cited**

**U.S. PATENT DOCUMENTS**

6,041,552 A \* 3/2000 Lindahl ..... 49/458  
D461,915 S \* 8/2002 Ballard et al. .... D25/124

\* cited by examiner

*Primary Examiner*—Doris Clark

(74) *Attorney, Agent, or Firm*—Duane Morris LLP

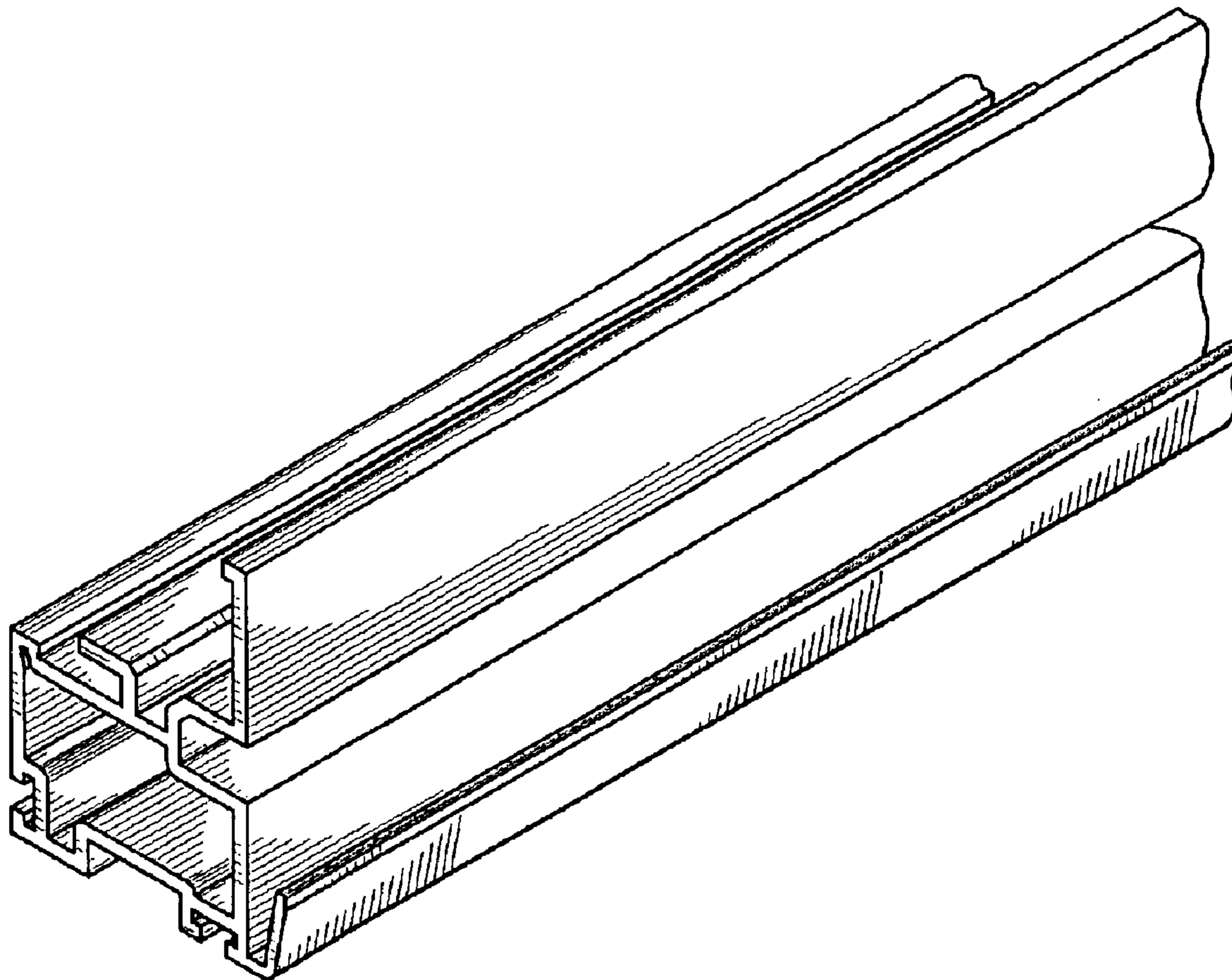
(57) **CLAIM**

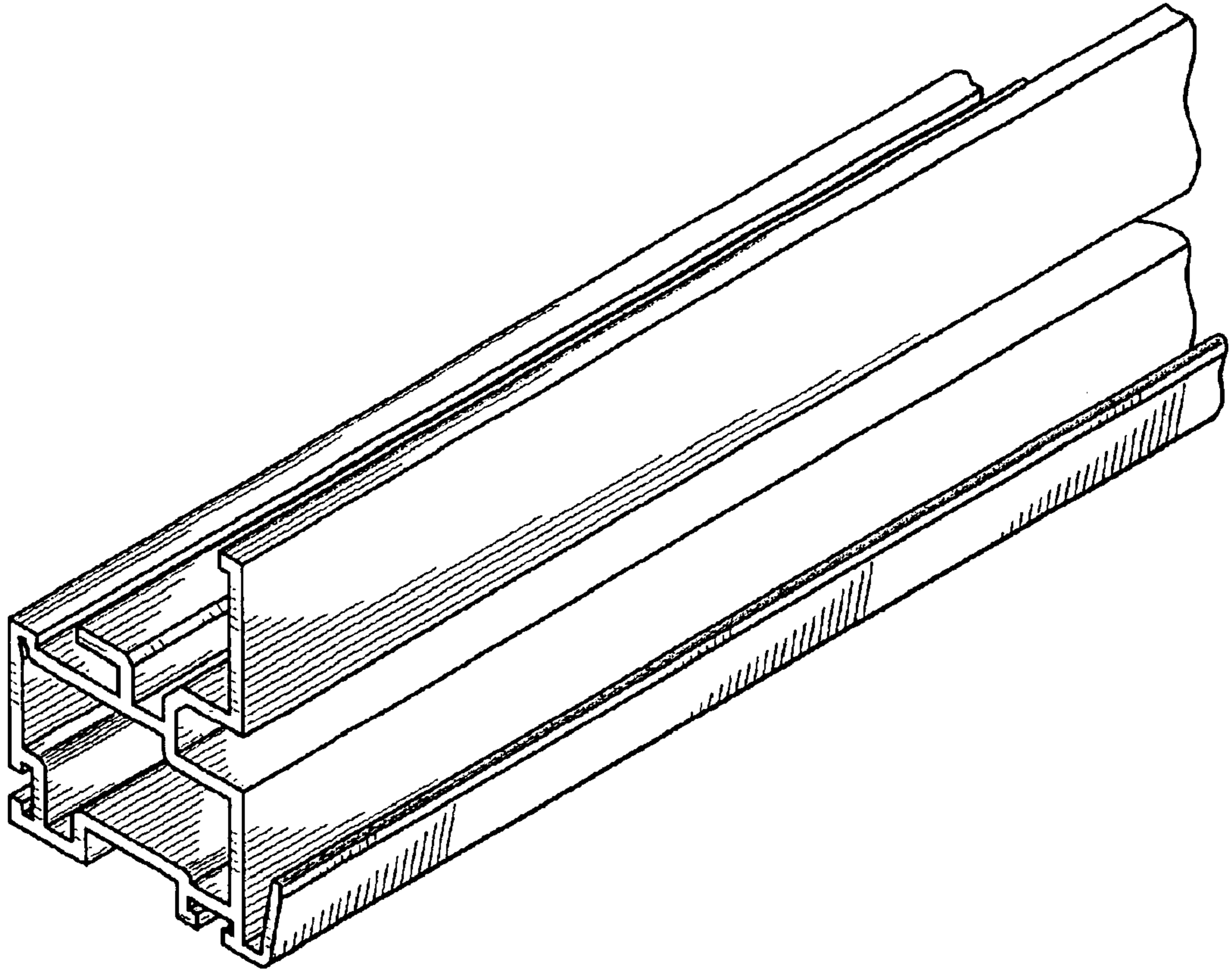
The ornamental design for a sash with interlock for a window, as shown and described.

**DESCRIPTION**

The FIGURE is a front perspective view of a sash with interlock for a window, showing our new design, the rear perspective view being a mirror image, and which is shown fragmented indicating indefinite length.

**1 Claim, 1 Drawing Sheet**





THE FIGURE