



US00D490907S

(12) **United States Design Patent**
Peacock et al.

(10) **Patent No.:** **US D490,907 S**

(45) **Date of Patent:** **** Jun. 1, 2004**

(54) **TWO-SIDED MANHOLE STEP**

(75) Inventors: **Bobbie Don Peacock**, Peachtree City, GA (US); **Charles McInvale**, Tyrone, GA (US)

(73) Assignee: **M.A. Industries, Inc.**, Peachtree City, GA (US)

(**) Term: **14 Years**

(21) Appl. No.: **29/186,535**

(22) Filed: **Jul. 17, 2003**

(51) **LOC (7) Cl.** **25-04**

(52) **U.S. Cl.** **D25/69**

(58) **Field of Search** D25/36, 69, 68;
52/19, 20; 404/25; 182/90

(56) **References Cited**

U.S. PATENT DOCUMENTS

D304,376 S * 10/1989 Robertson D25/69
D452,742 S * 1/2002 Takahashi D25/69

* cited by examiner

Primary Examiner—Doris Clark
(74) *Attorney, Agent, or Firm*—Kilpatrick Stockton LLP;
Michael J. Turton

(57) **CLAIM**

The ornamental design for a two-sided manhole step, as shown and described.

DESCRIPTION

FIG. 1 is a perspective view of the two-sided manhole step of this invention.

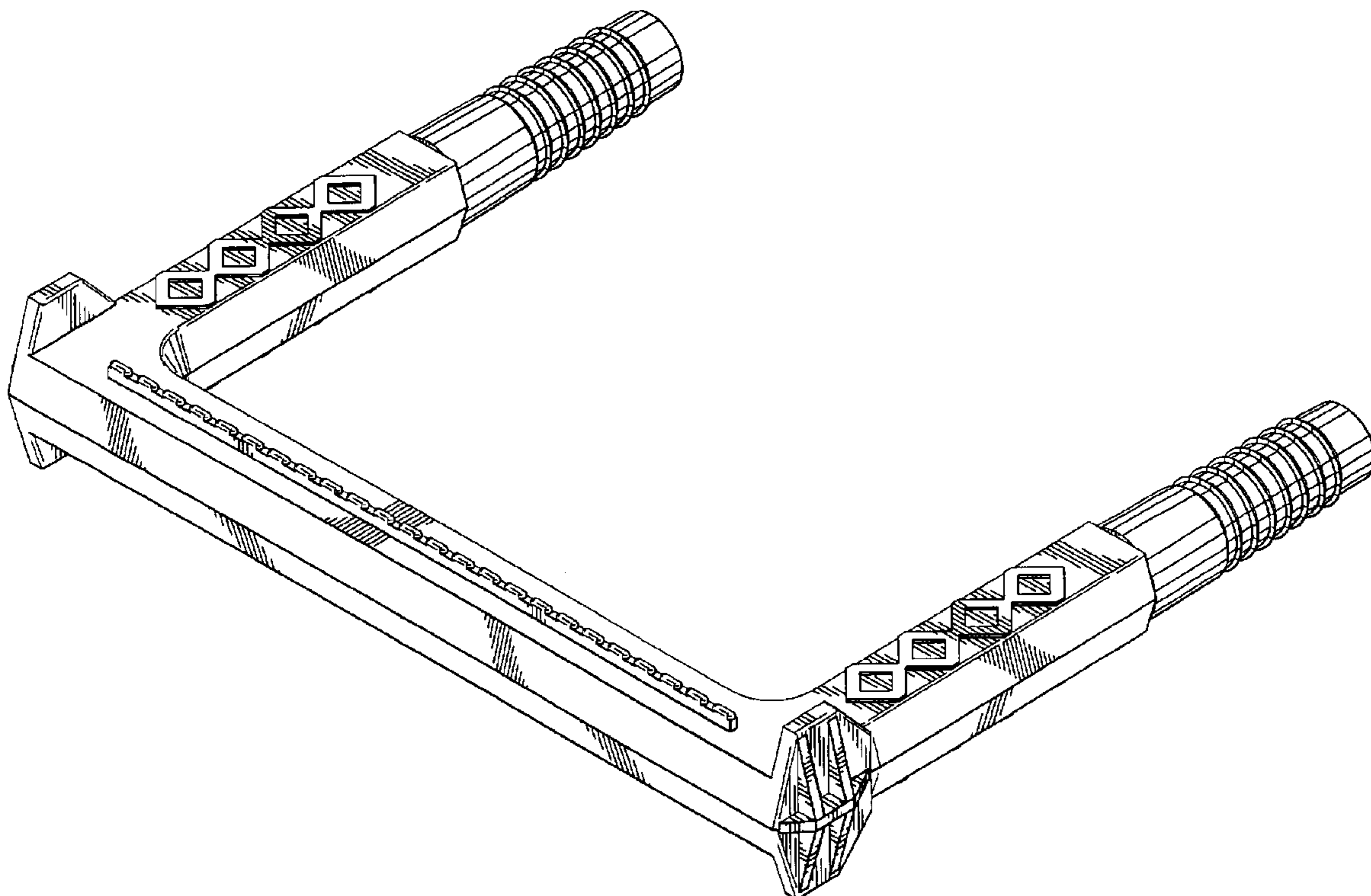
FIG. 2 is a top plan view of the two-sided manhole step shown in FIG. 1. The bottom plan view of the two-sided manhole step is identical to the top plan view.

FIG. 3 is a right side view of the two-sided manhole step shown in FIG. 1. The left side view of the two-sided manhole step is identical to the right side view.

FIG. 4 is a front view of the two-sided manhole step shown in FIG. 1; and,

FIG. 5 is a rear view of the two-sided manhole step shown in FIG. 1.

1 Claim, 3 Drawing Sheets



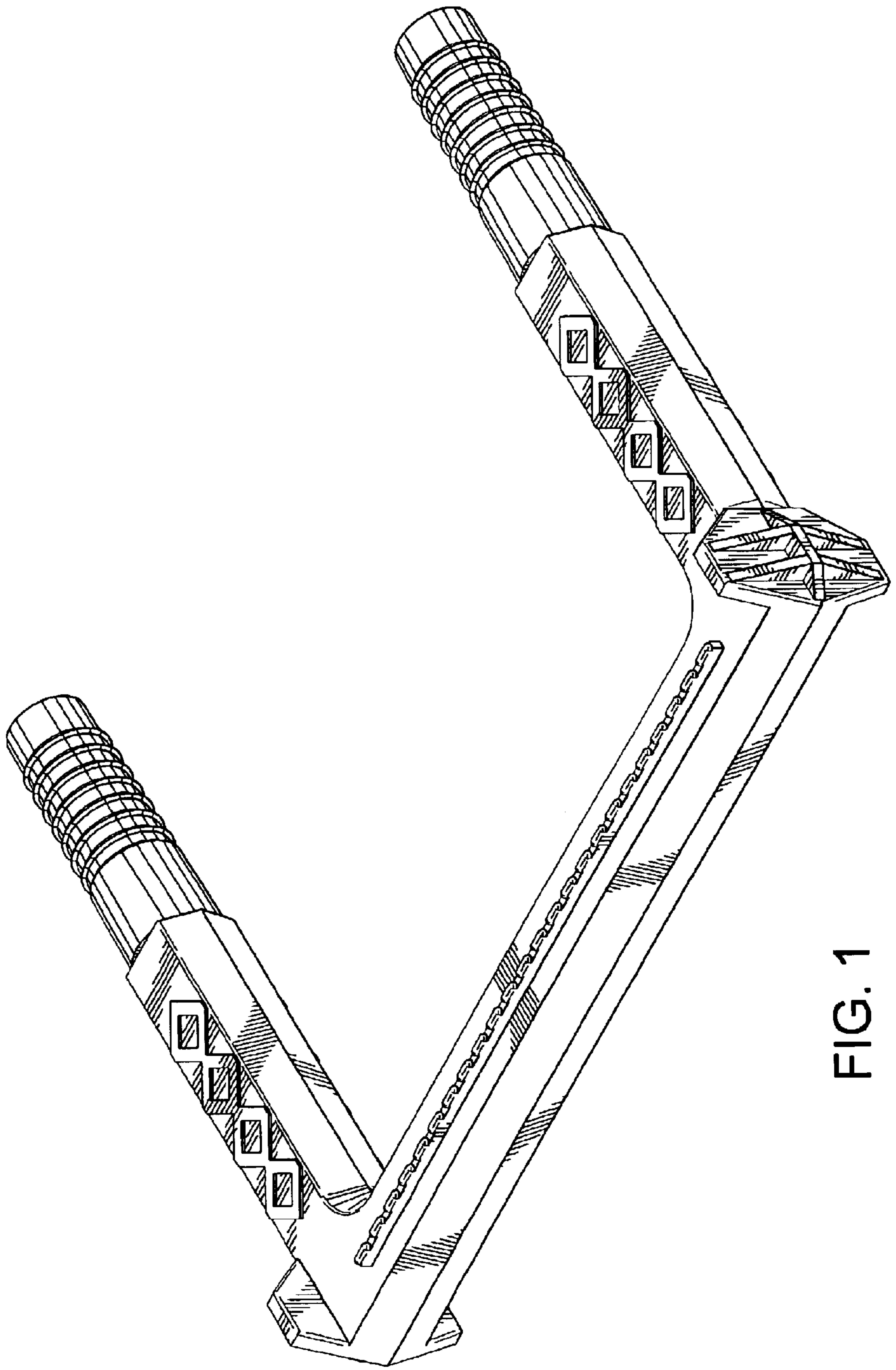


FIG. 1

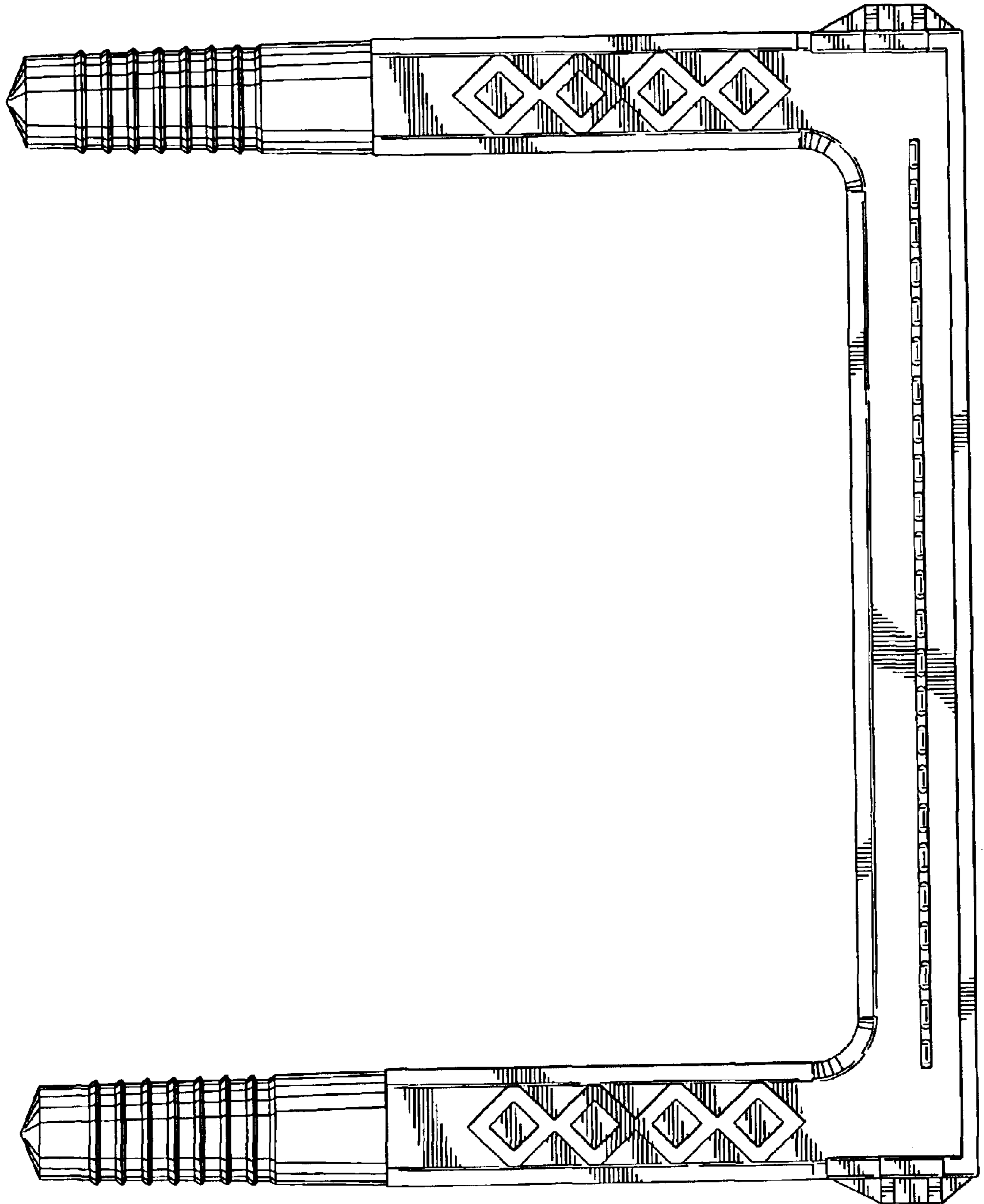


FIG. 2

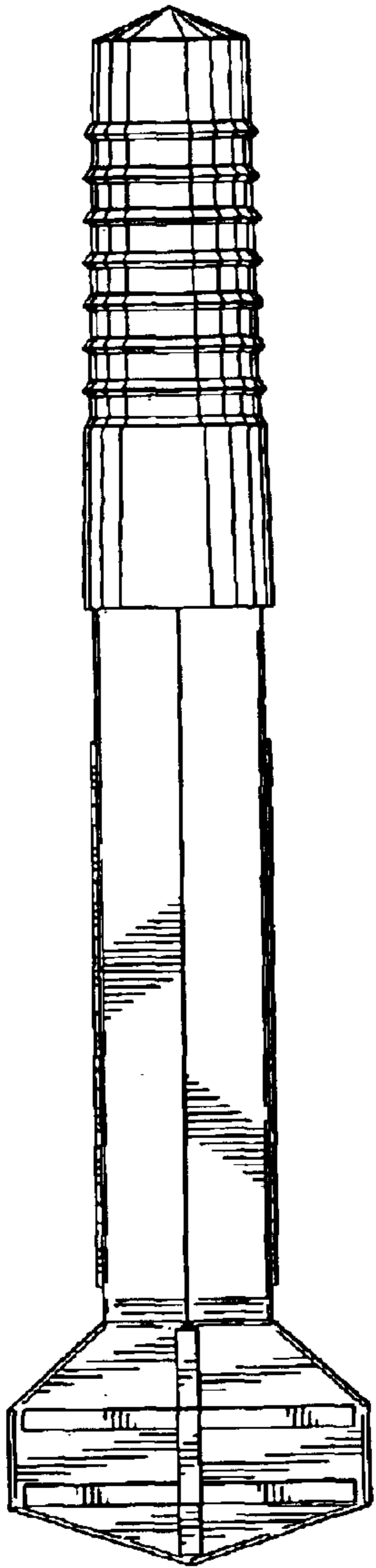


FIG. 3

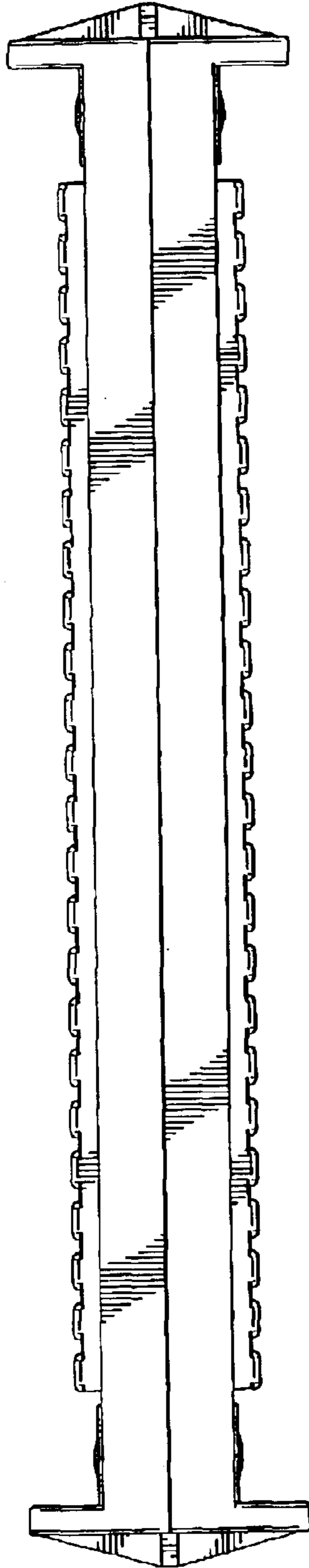


FIG. 4

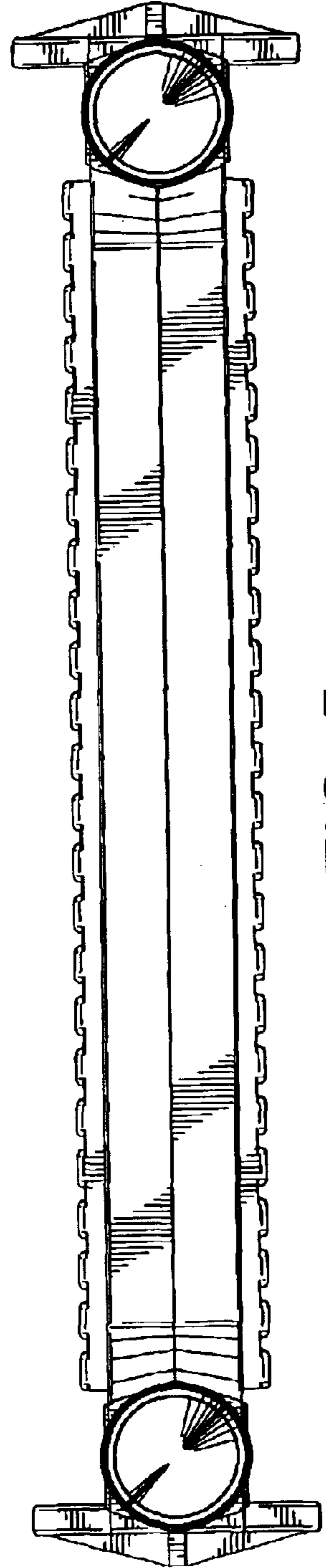


FIG. 5