



US00D490905S

(12) **United States Design Patent**
Nelson

(10) **Patent No.:** **US D490,905 S**

(45) **Date of Patent:** **** Jun. 1, 2004**

(54) **PIG SWIMMING POOL**

D430,305 S * 8/2000 Sullivan D25/2
D455,838 S * 4/2002 Erdelac D25/2

(76) Inventor: **Dawn K. Nelson**, 11211 Patridge Dr.,
Houston, TX (US) 77070

* cited by examiner

(**) Term: **14 Years**

Primary Examiner—Doris Clark

(21) Appl. No.: **29/191,562**

(57) **CLAIM**

(22) Filed: **Oct. 8, 2003**

The ornamental design for a pig swimming pool, as shown and described.

(51) **LOC (7) Cl.** **25-03**

DESCRIPTION

(52) **U.S. Cl.** **D25/2**

(58) **Field of Search** D25/2, 8; 4/488,
4/506; D24/204; D21/654, 782

FIG. 1 is a top view of the pig swimming pool.
FIG. 2 is a cross sectional view taken along line 2—2 of FIG. 1; and,
FIG. 3 is a cross sectional view taken along line 3—3 of FIG. 1.

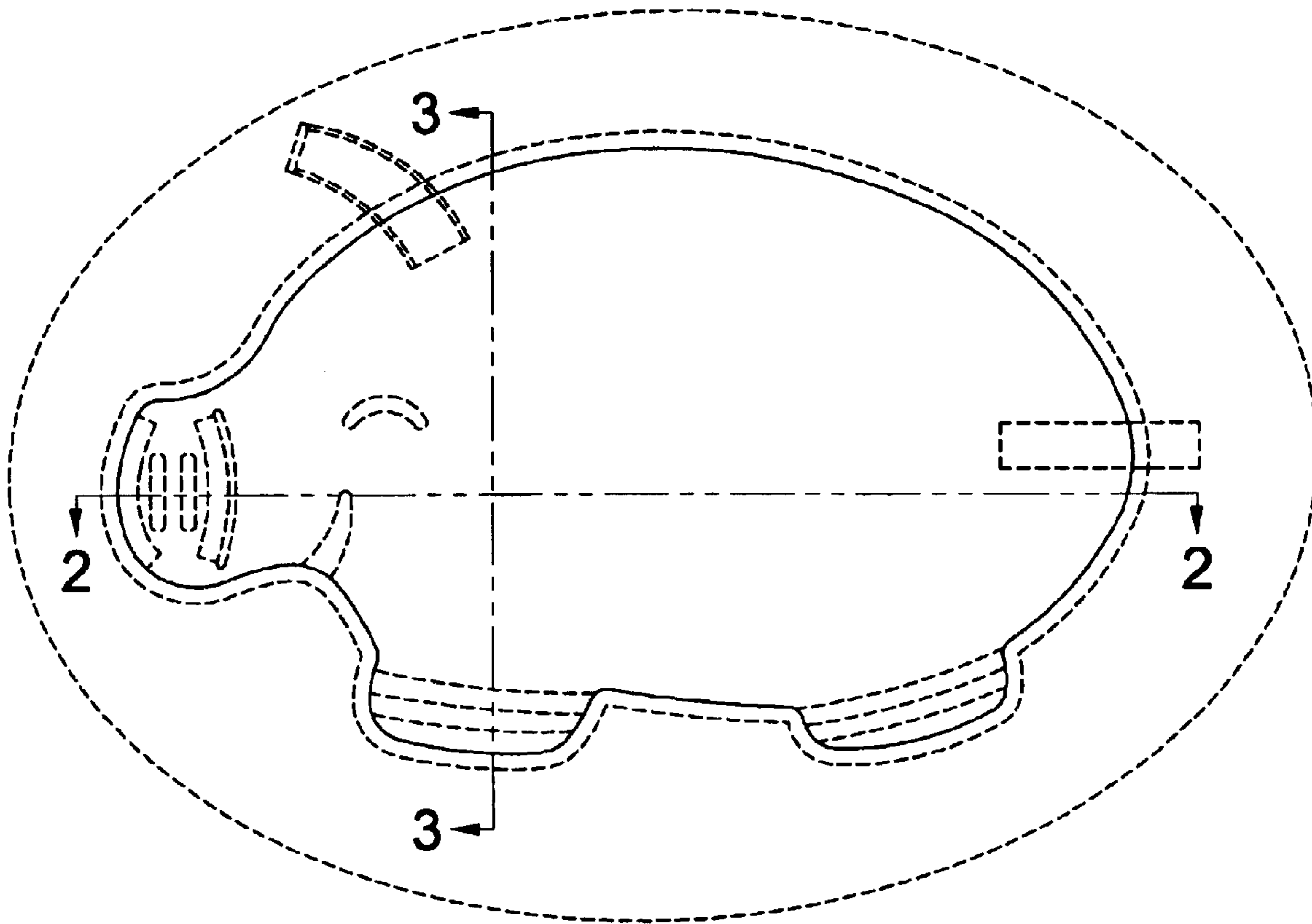
(56) **References Cited**

U.S. PATENT DOCUMENTS

4,642,822 A * 2/1987 Tvengsberg 4/488
5,010,605 A * 4/1991 Shiina et al. 4/488
D347,697 S * 6/1994 Weir D25/2

The broken lines are for illustrative purposes only and form no part of the claimed design.

1 Claim, 1 Drawing Sheet



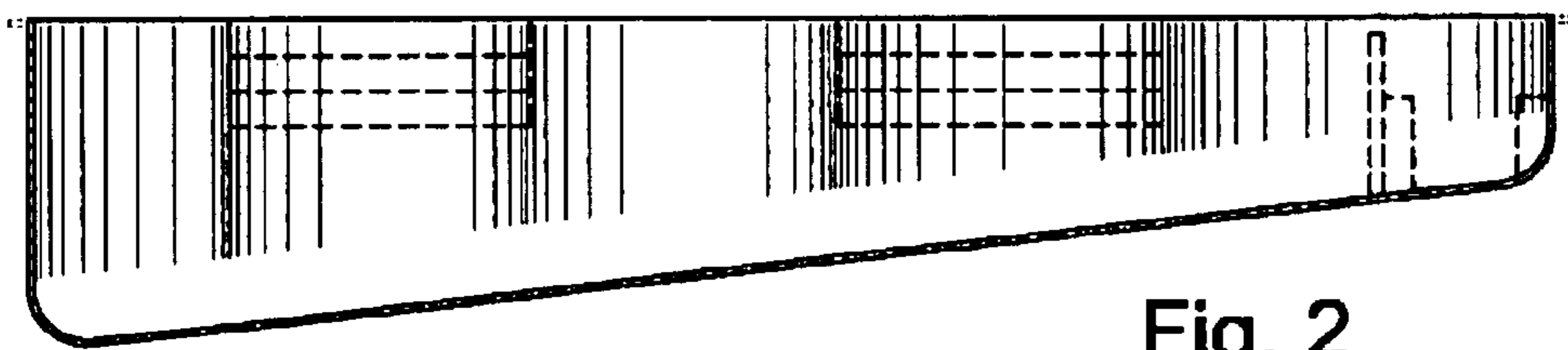
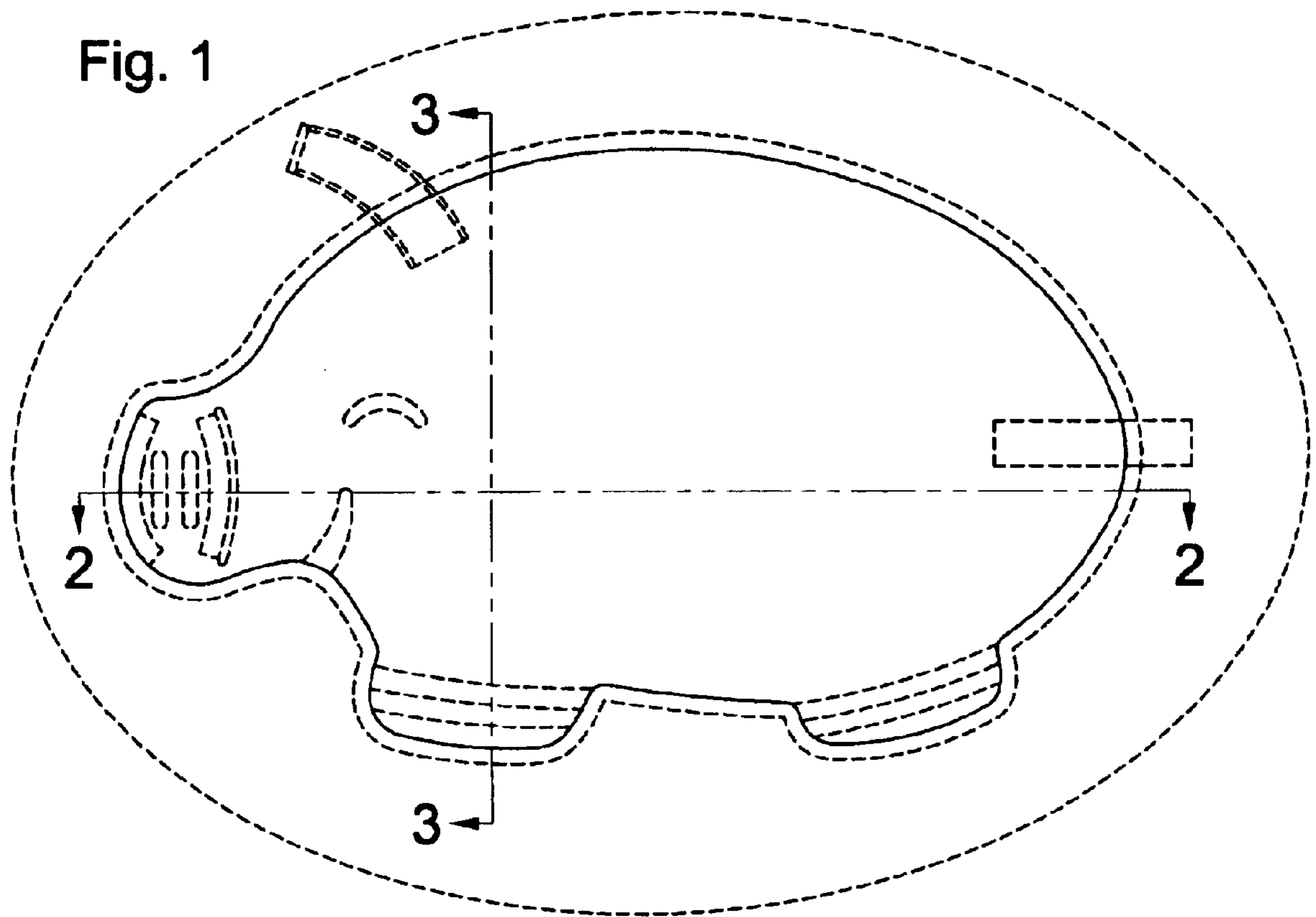


Fig. 2

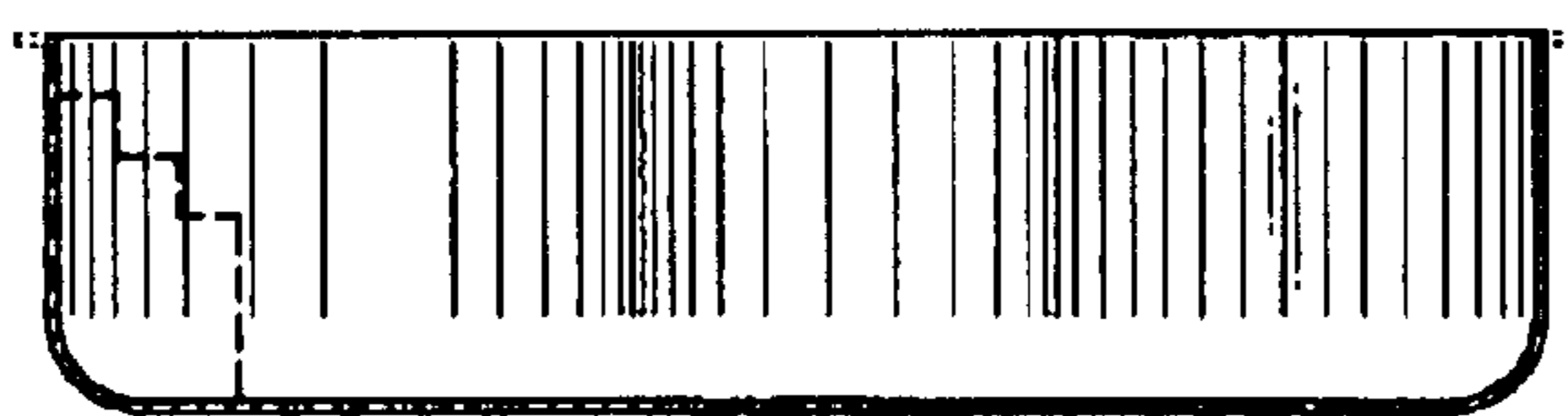


Fig. 3