



US00D490900S

(12) **United States Design Patent**
Ogilvie et al.

(10) **Patent No.:** **US D490,900 S**

(45) **Date of Patent:** **** Jun. 1, 2004**

(54) **ELASTOMERIC FINGER JOINT**

(75) Inventors: **William F. Ogilvie**, Austin, TX (US);
Charles W. Mumme, Austin, TX (US);
Evgeny G. Podnos, Austin, TX (US);
Peter Strzepa, Austin, TX (US)

(73) Assignee: **Ascension Orthopedics, Inc.**, Austin, TX (US)

(**) Term: **14 Years**

(21) Appl. No.: **29/173,701**

(22) Filed: **Jan. 2, 2003**

(51) **LOC (7) Cl.** **24-03**

(52) **U.S. Cl.** **D24/155**

(58) **Field of Search** D24/155; 623/18.11,
623/23.41

4,313,232 A 2/1982 Habal et al.
4,367,562 A 1/1983 Gauthier
D277,509 S * 2/1985 Lawrence et al. D24/155
D284,099 S * 6/1986 Laporta et al. D24/155
4,871,367 A 10/1989 Christensen et al.
5,011,497 A * 4/1991 Persson et al. 623/23.41
5,824,095 A * 10/1998 Di Maio, Jr. et al. 623/18.11
2001/0025199 A1 9/2001 Rauscher
2002/0055785 A1 5/2002 Harris

* cited by examiner

Primary Examiner—Antoine Duval Davis

(74) *Attorney, Agent, or Firm*—Fitch, Even, Tabin & Flannery

(57) **CLAIM**

The ornamental design for an elastomeric finger joint, as shown and described.

DESCRIPTION

FIG. 1 is a perspective view of the elastomeric finger joint showing the new design;

FIG. 2 is a left side view thereof;

FIG. 3 is a right side view thereof;

FIG. 4 is a front view thereof;

FIG. 5 is a top plan view thereof;

FIG. 6 is a rear view thereof; and,

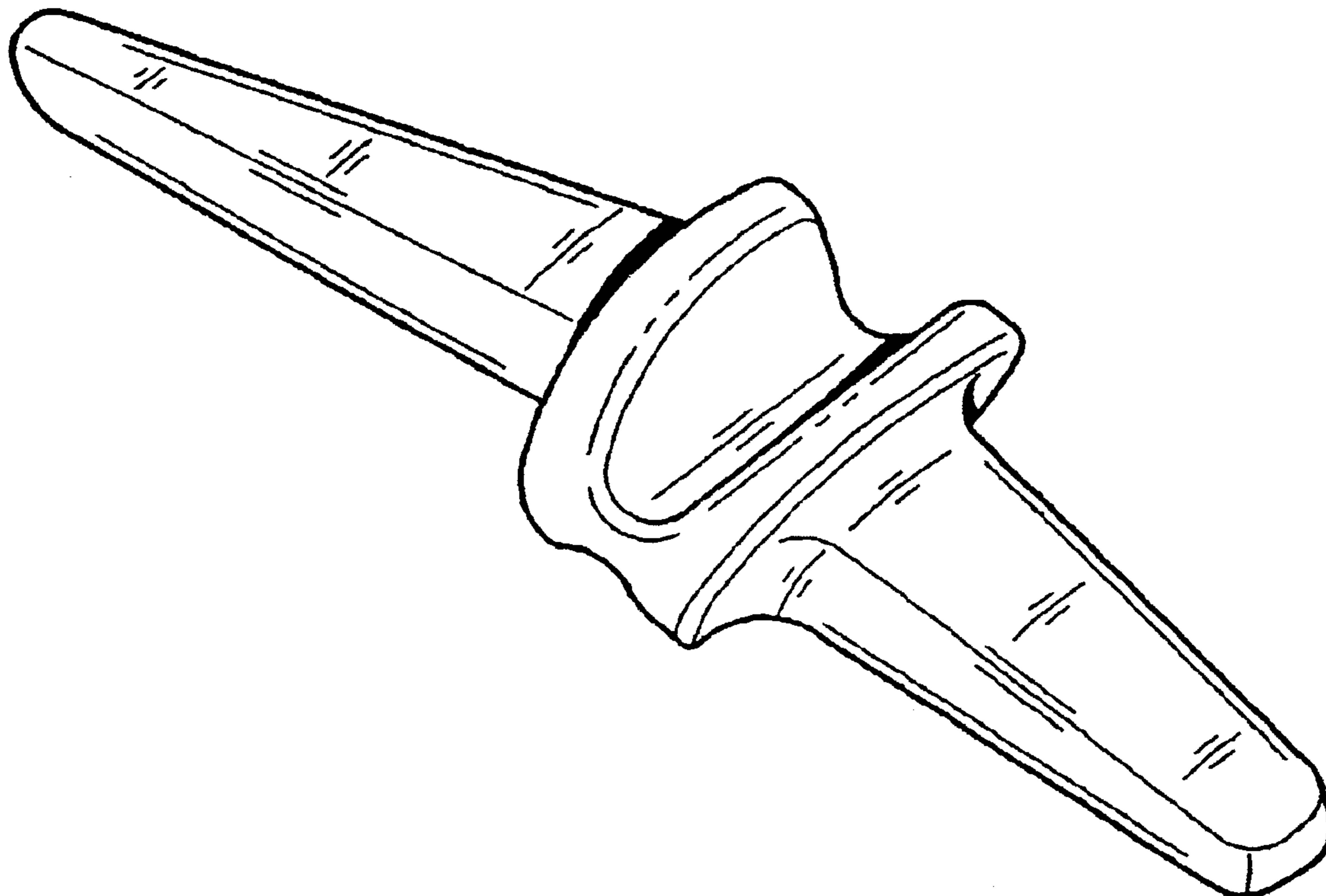
FIG. 7 is a bottom view thereof.

1 Claim, 2 Drawing Sheets

(56) **References Cited**

U.S. PATENT DOCUMENTS

3,462,765 A 8/1969 Swanson
3,593,342 A 7/1971 Niebauer et al.
3,681,786 A * 8/1972 Lynch 623/23.41
3,875,594 A 4/1975 Swanson
4,198,713 A * 4/1980 Swanson 623/23.41
4,204,284 A * 5/1980 Koeneman 623/23.41
4,246,662 A 1/1981 Pastrick



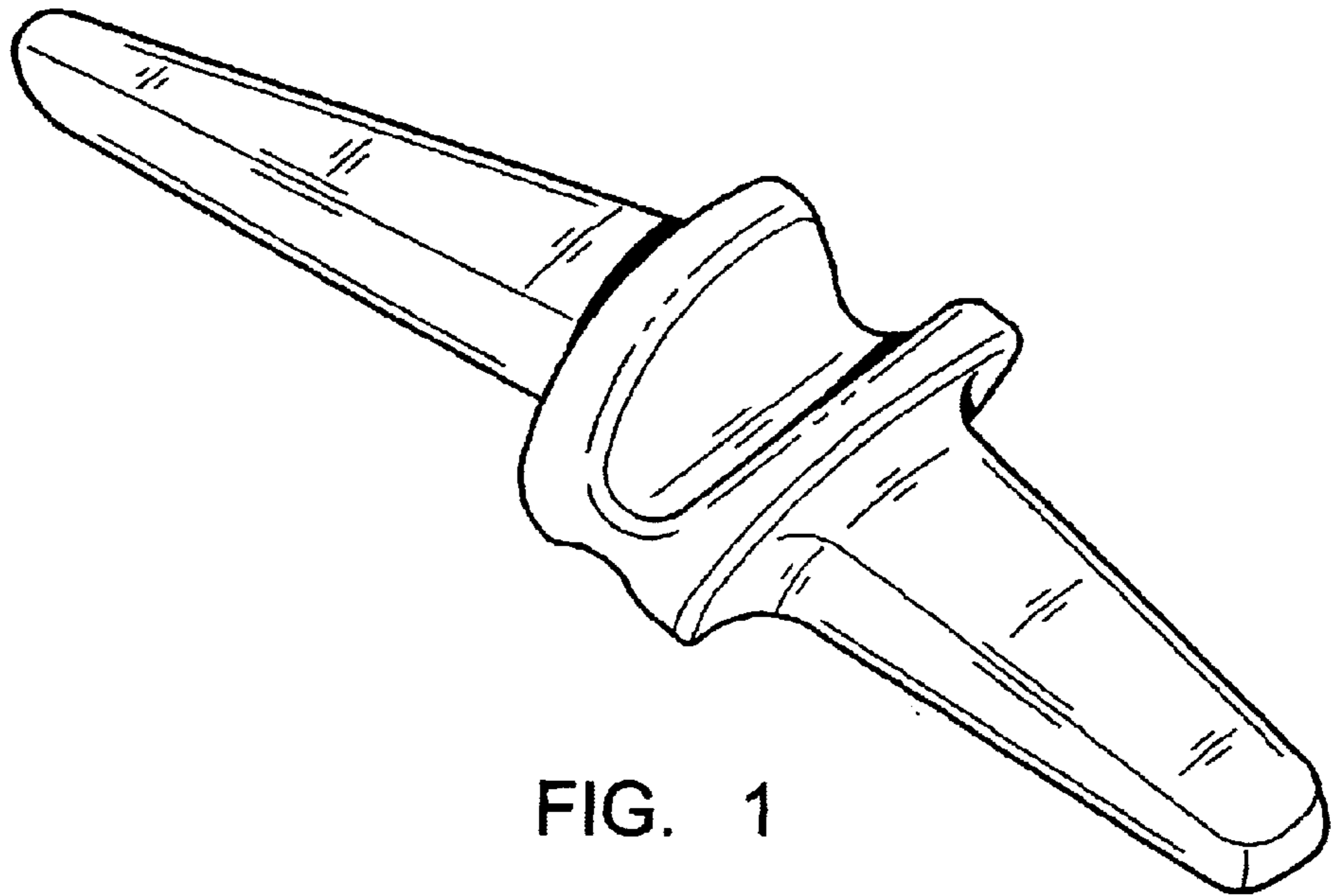


FIG. 1

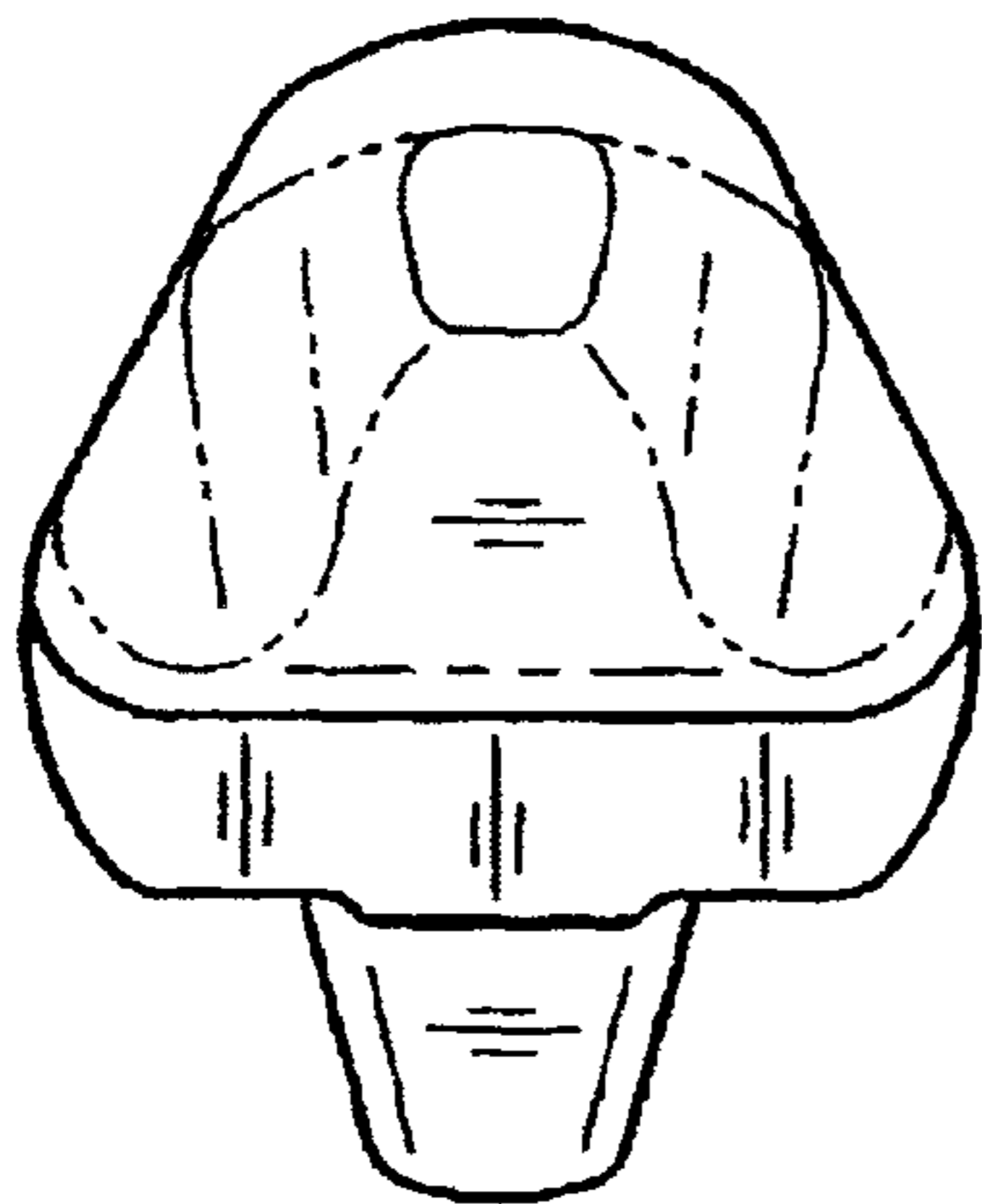


FIG. 2

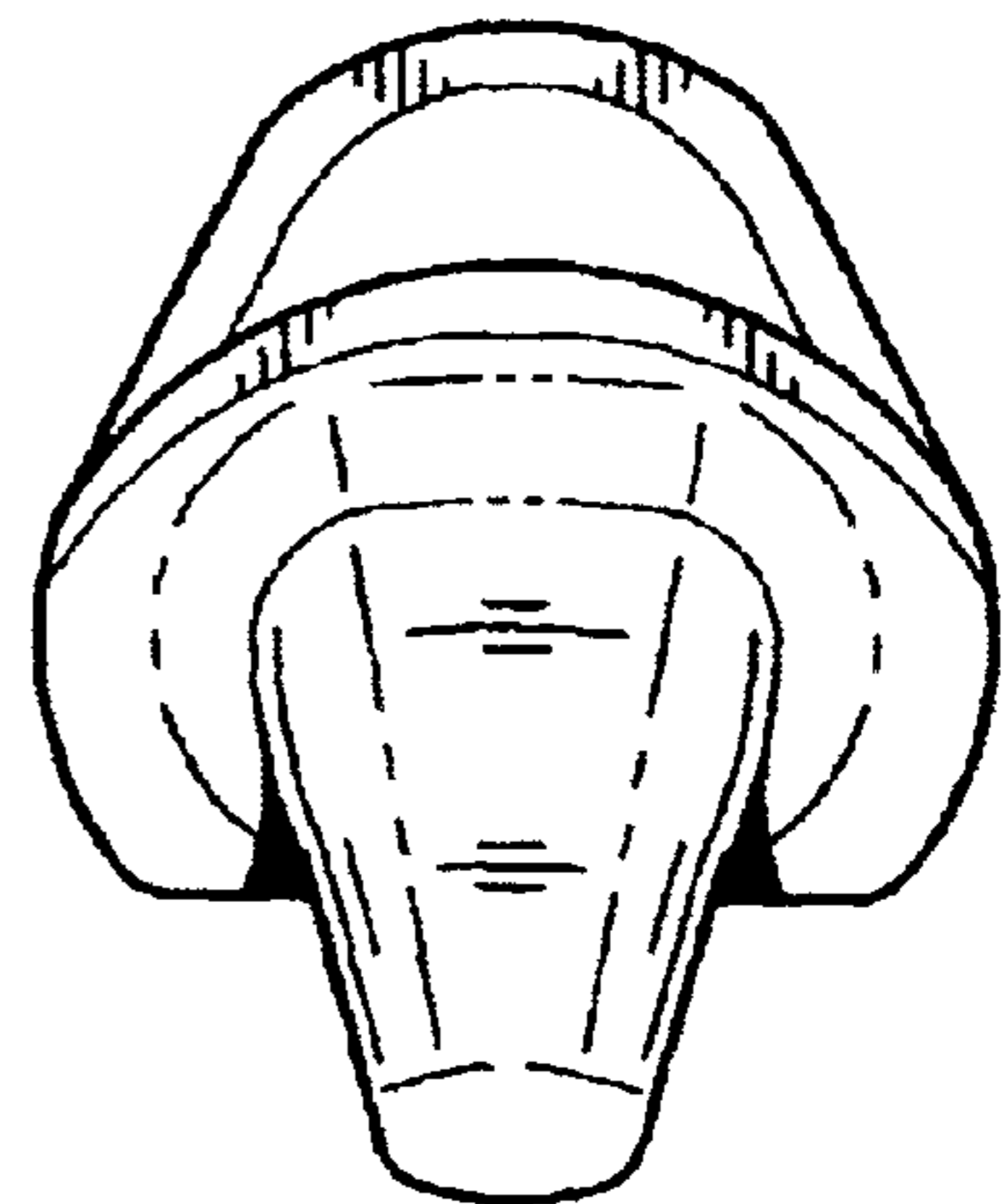


FIG. 3

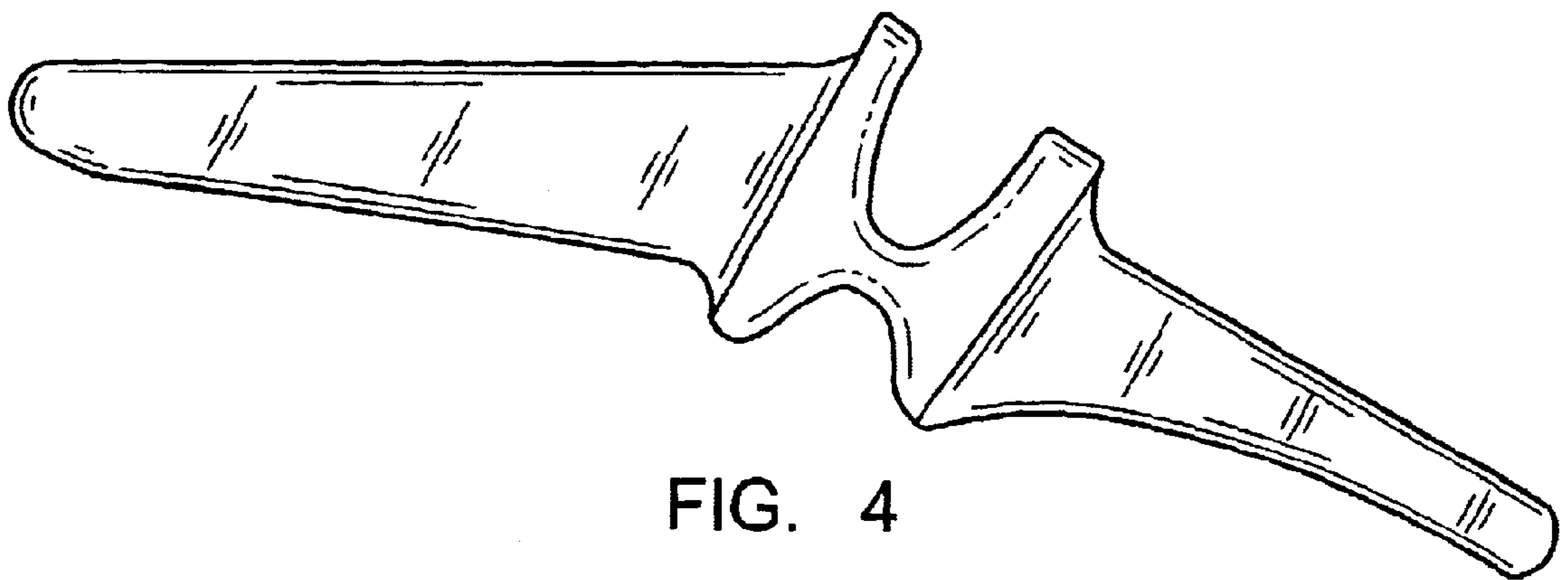


FIG. 4

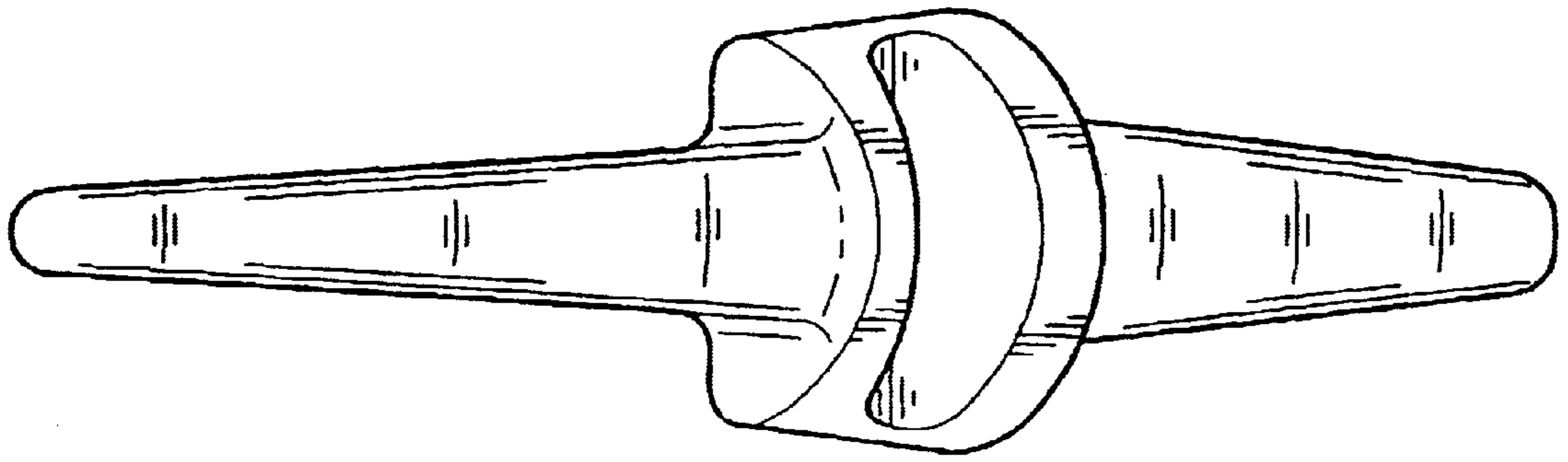


FIG. 5

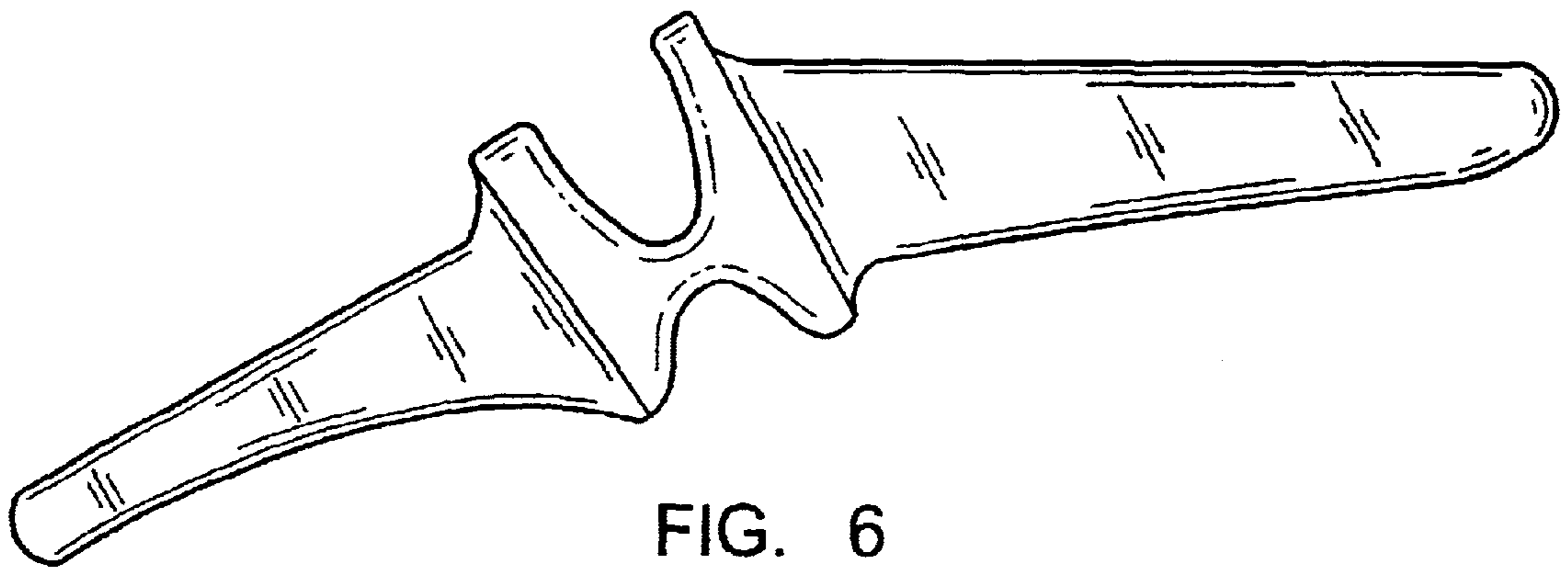


FIG. 6

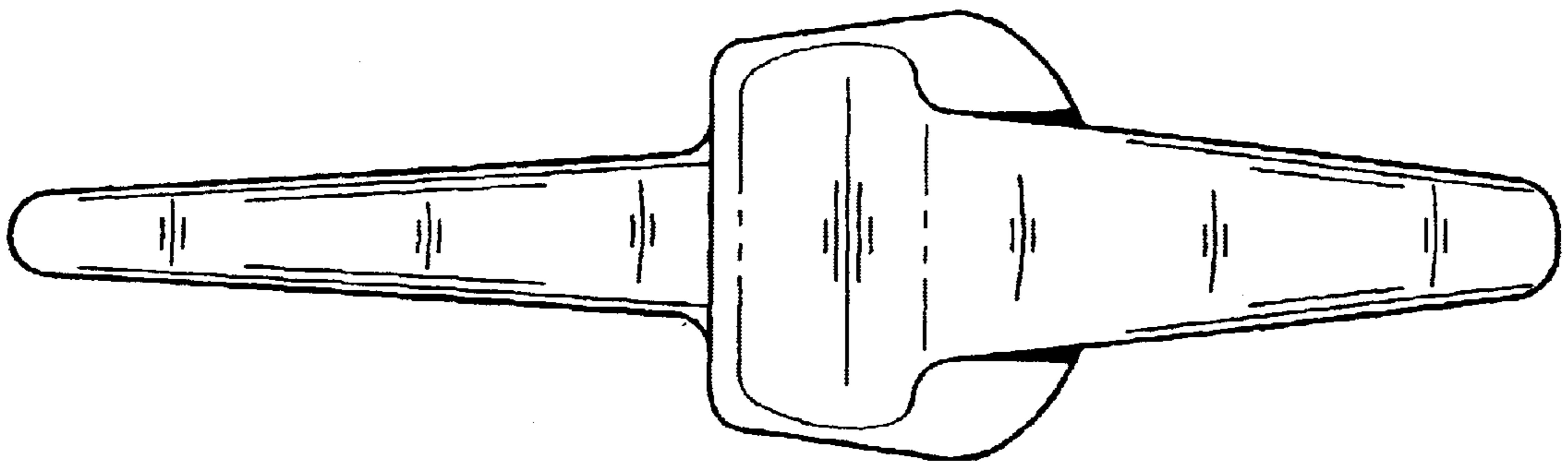


FIG. 7