



US00D490899S

(12) **United States Design Patent**
Gagnon

(10) **Patent No.:** **US D490,899 S**

(45) **Date of Patent:** **** Jun. 1, 2004**

(54) **TARTAR DETECTION DEVICE**

6,190,309 B1 * 2/2001 Ooshima et al. 600/179
6,561,802 B2 * 5/2003 Alexander 433/29

(75) Inventor: **Stéphan Gagnon**, Laval (CA)

* cited by examiner

(73) Assignee: **NEKS Technologies, Inc.**, Laval (CA)

Primary Examiner—Antoine Duval Davis

(**) Term: **14 Years**

(74) *Attorney, Agent, or Firm*—Goudreau Gage Dubuc

(21) Appl. No.: **29/171,658**

(57) **CLAIM**

(22) Filed: **Nov. 27, 2002**

The ornamental design for a “tartar detection device,” as shown and described.

(30) **Foreign Application Priority Data**

DESCRIPTION

May 27, 2002 (CA) 99563

(51) **LOC (7) Cl.** **24-02**

FIG. 1 is a perspective view of the tartar detection device showing my new design;

(52) **U.S. Cl.** **D24/152**

FIG. 2 is a right side elevational view thereof;

(58) **Field of Search** D24/152; 324/103 P;
433/29; 600/179, 118, 129, 170, 177

FIG. 3 is a left side elevational view thereof;

FIG. 4 is a top plan view thereof;

(56) **References Cited**

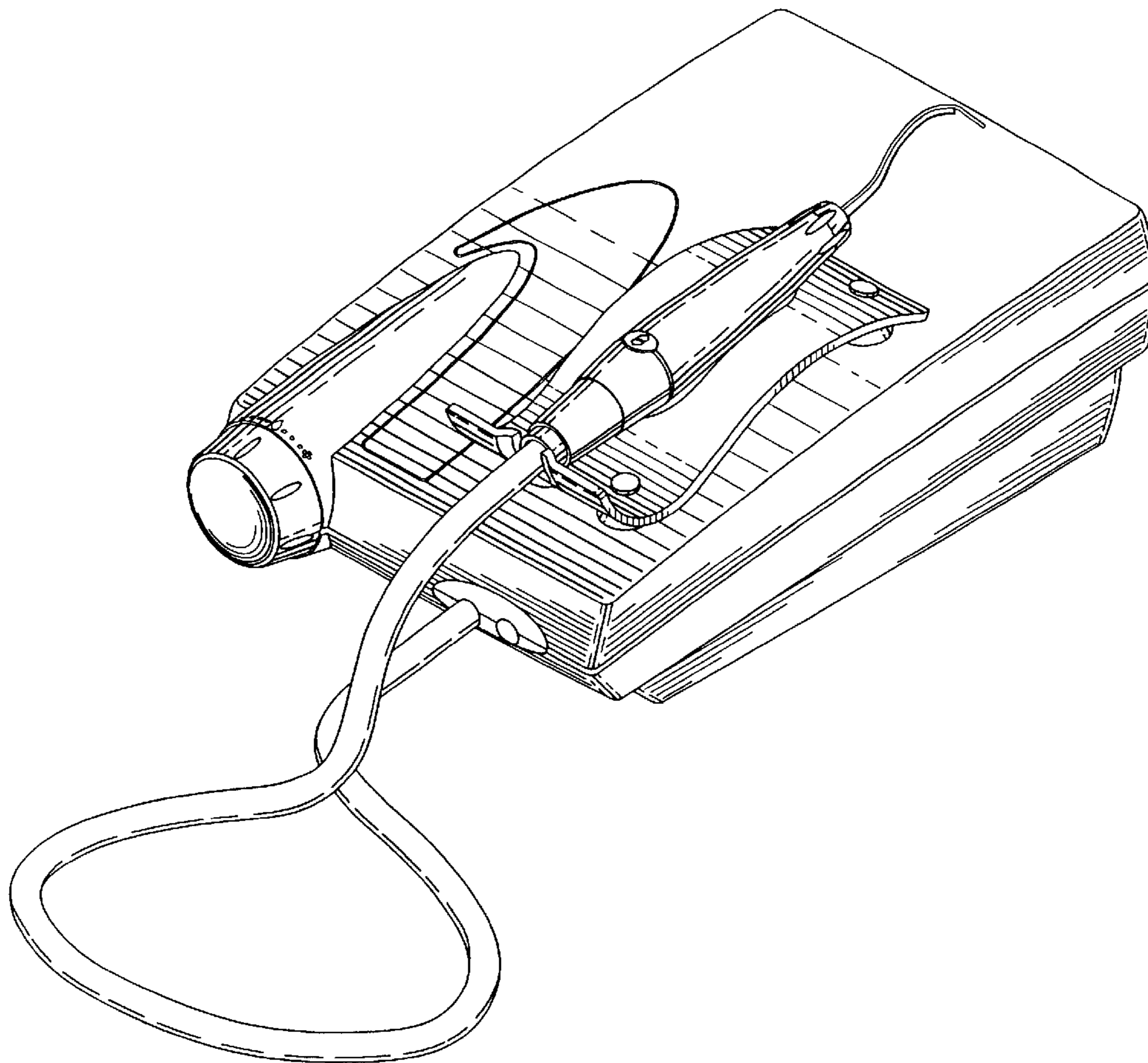
FIG. 5 is a front elevational view thereof; and,

FIG. 6 is a rear elevational view thereof.

U.S. PATENT DOCUMENTS

D425,988 S * 5/2000 Frank D24/152

1 Claim, 4 Drawing Sheets



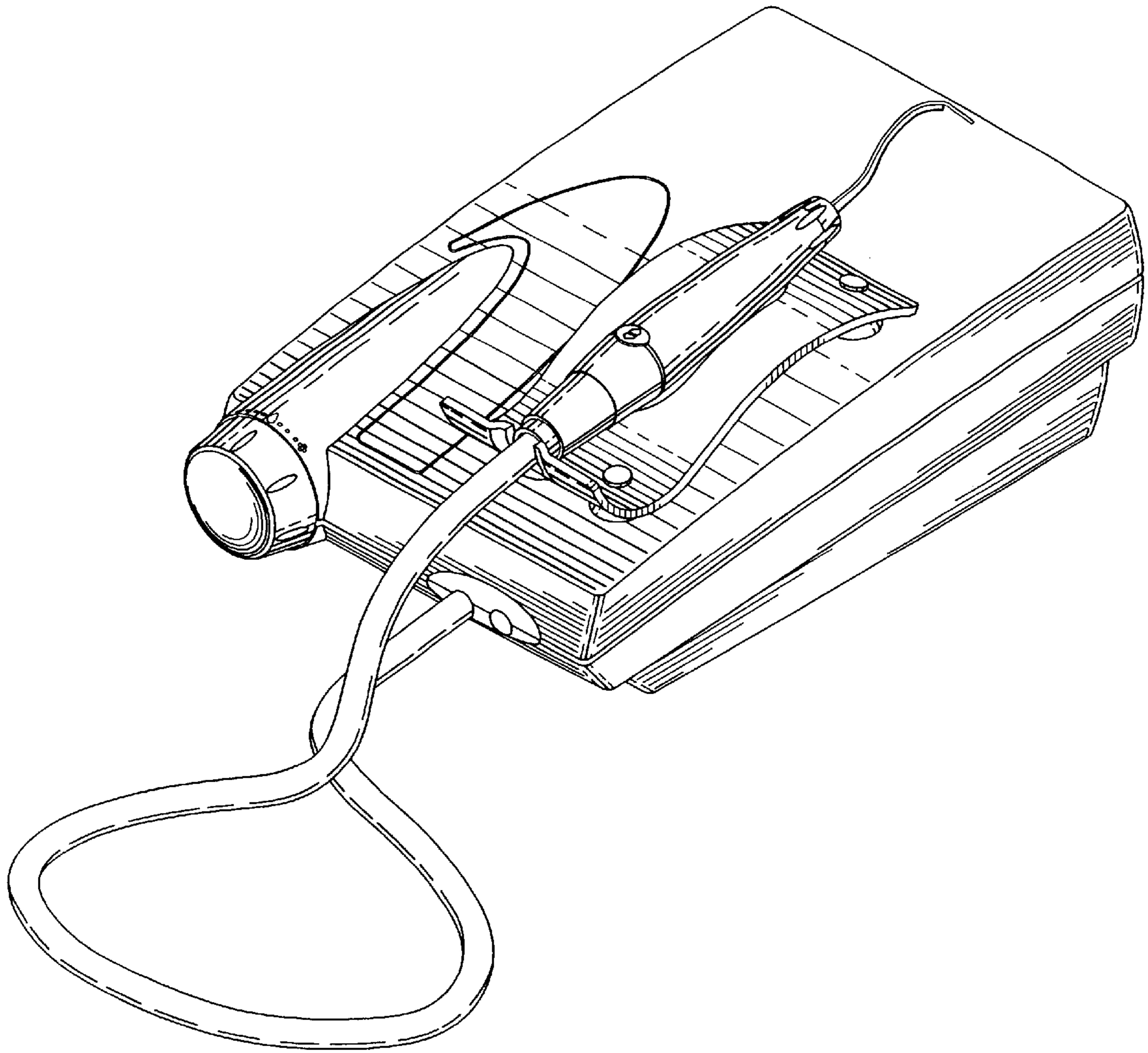
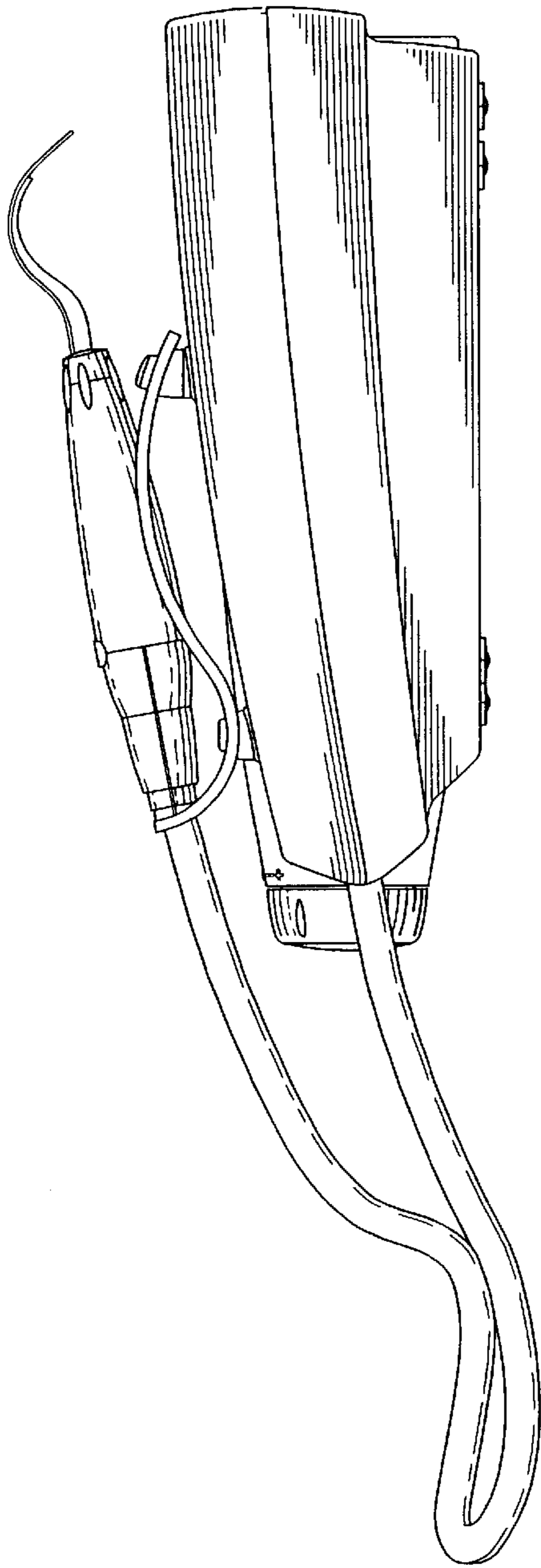
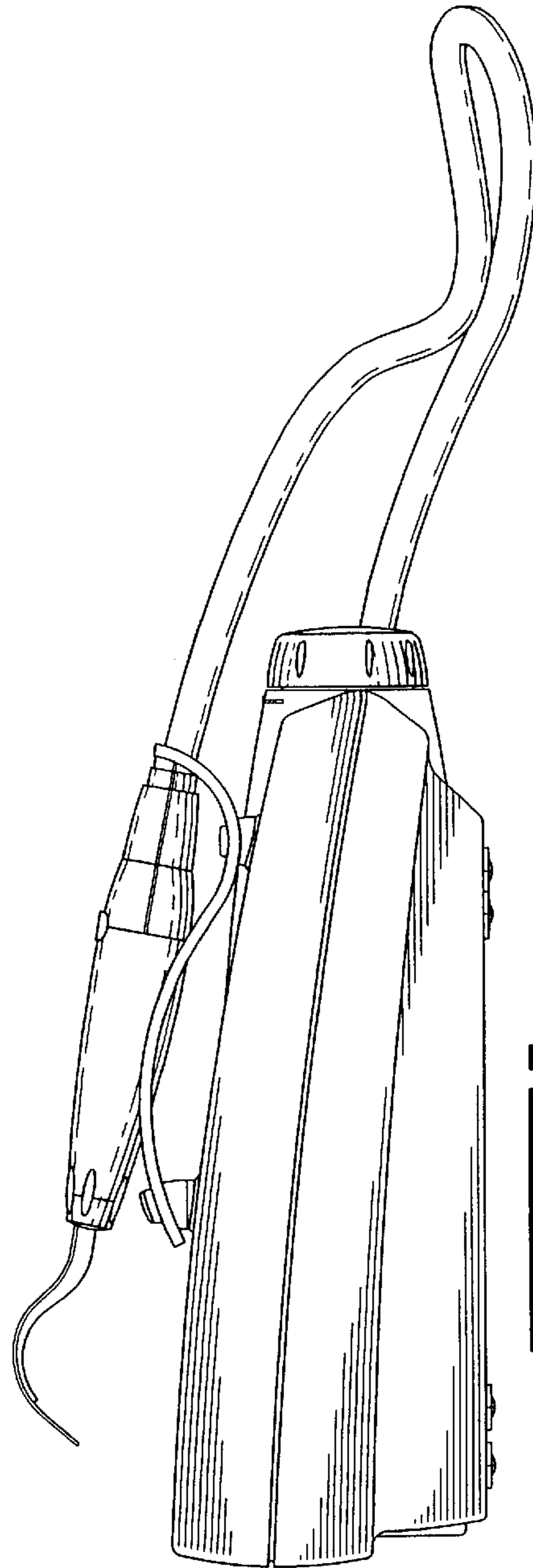


FIG. 1



2



3

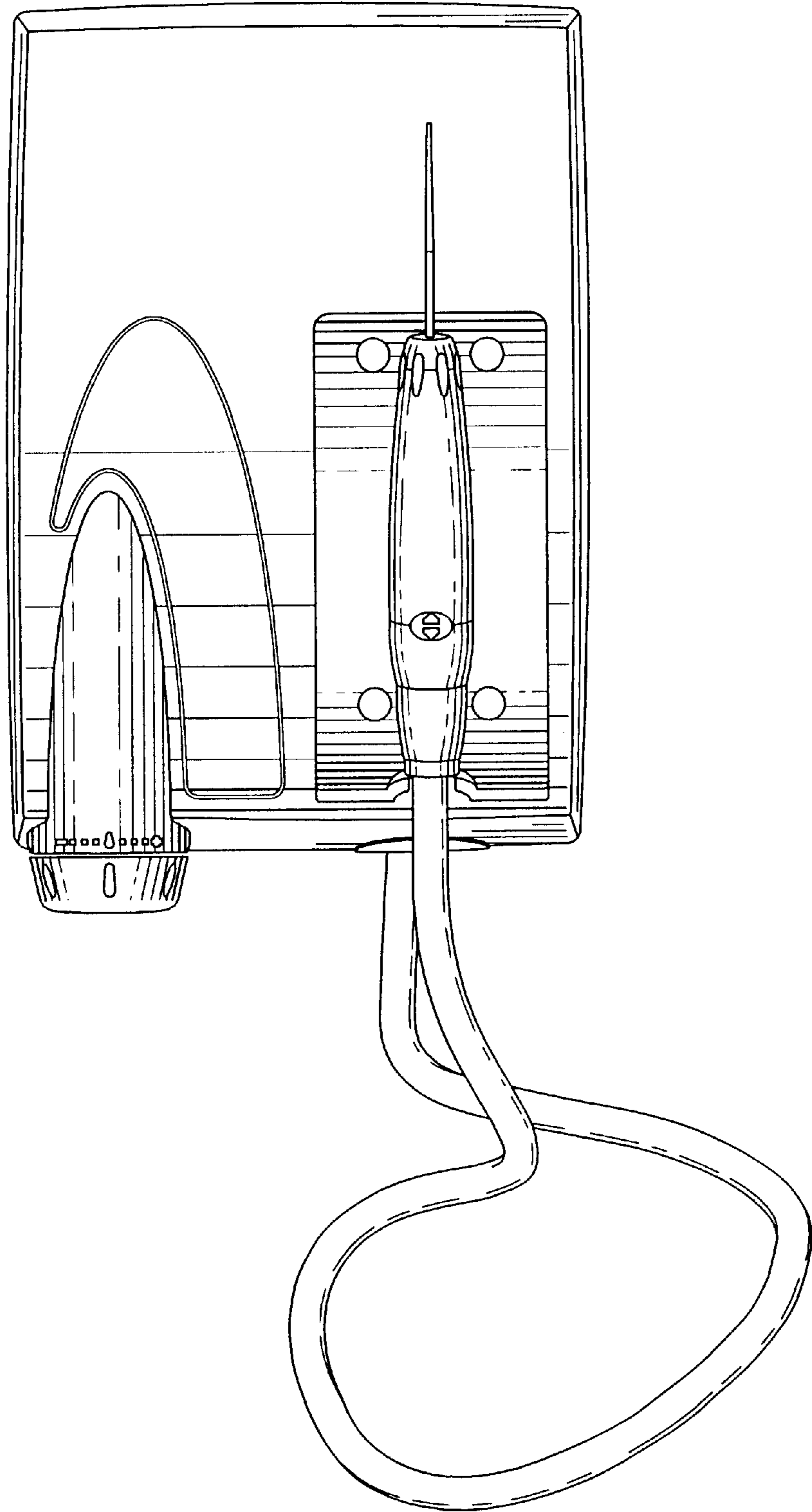


FIG. 4

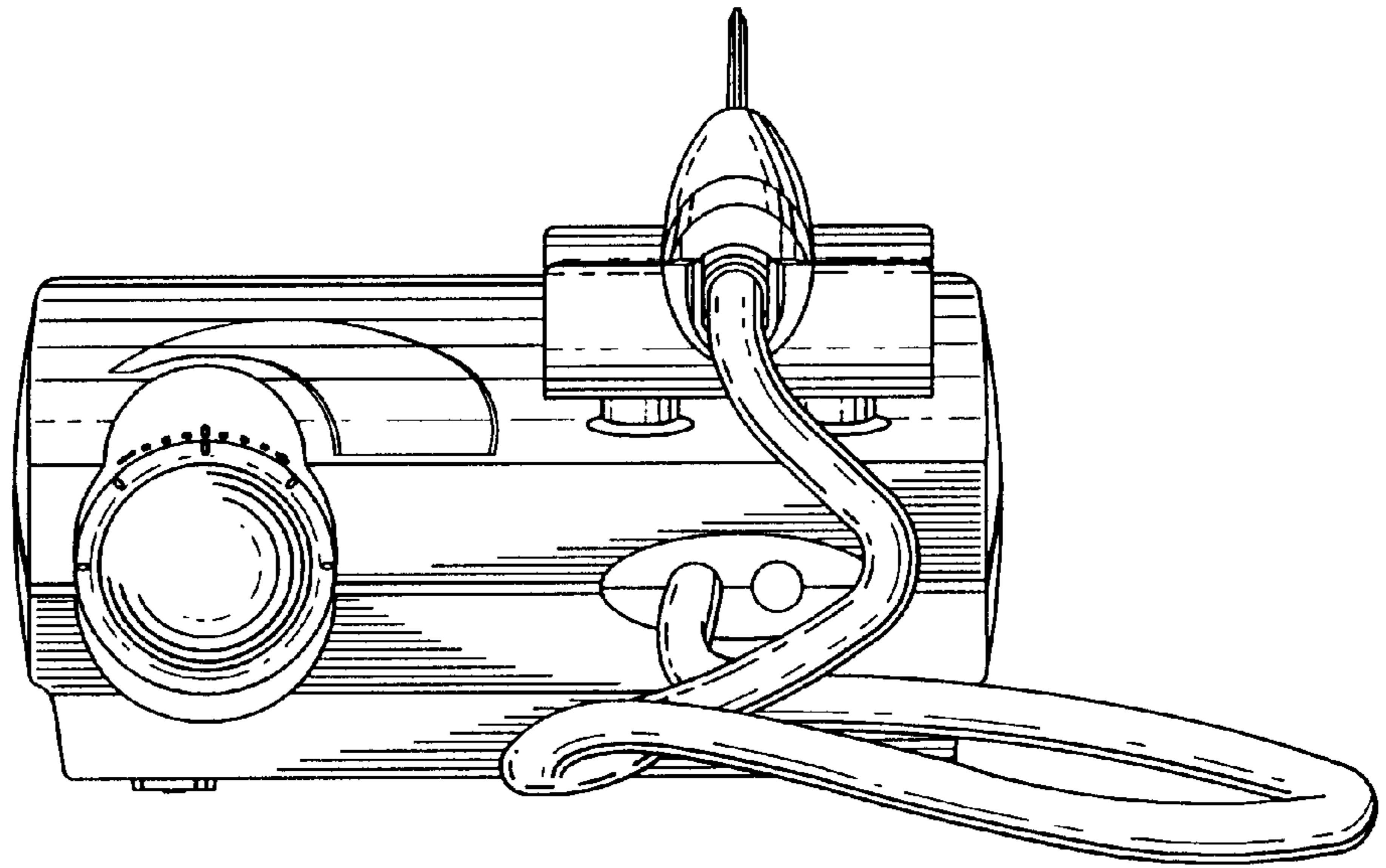


FIG. 5

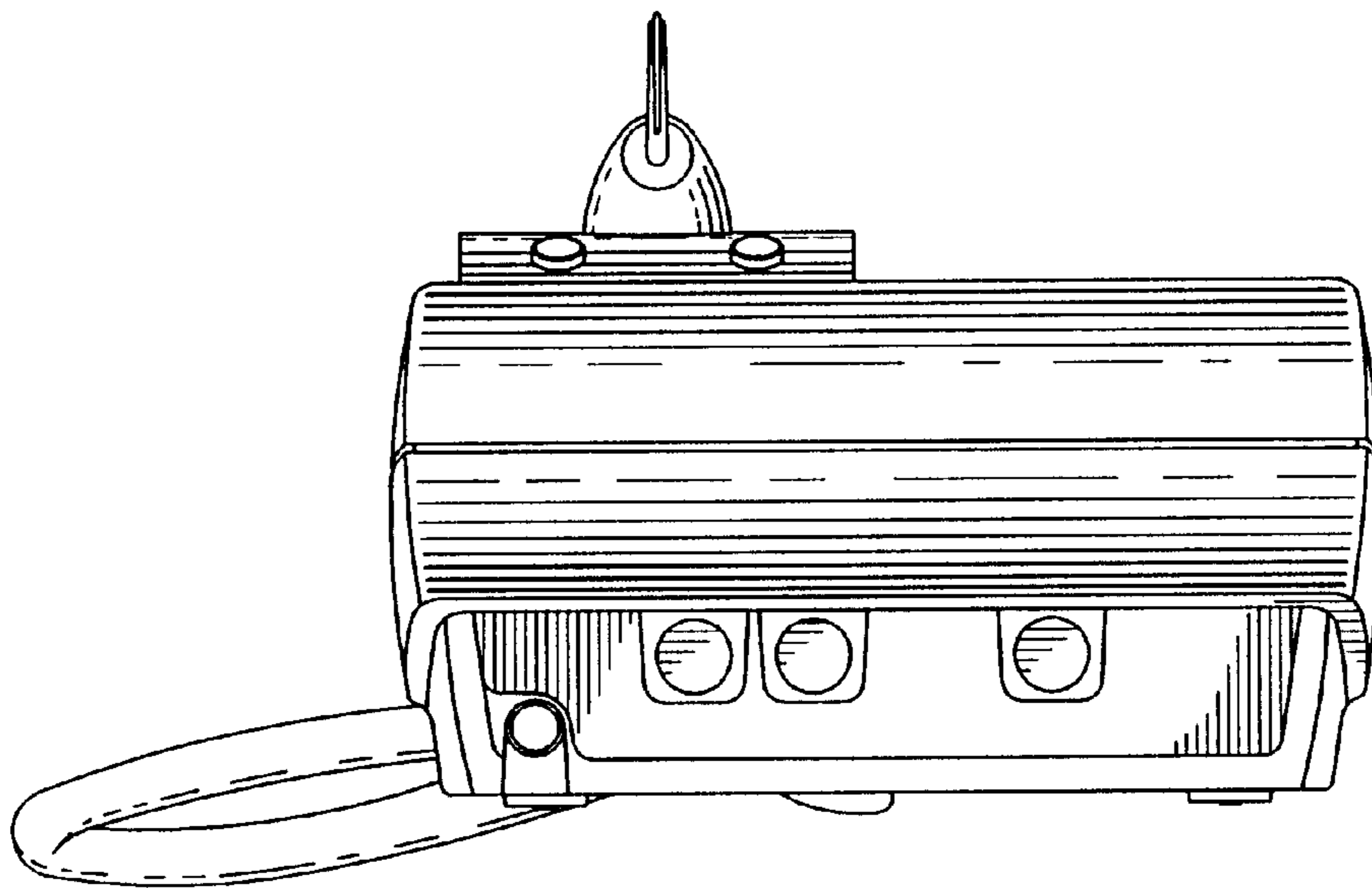


FIG. 6