



US00D490898S

(12) **United States Design Patent**
Hayamizu

(10) **Patent No.:** **US D490,898 S**

(45) **Date of Patent:** **** Jun. 1, 2004**

(54) **CONNECTOR FOR ENDOSCOPE**

(75) Inventor: **Eiji Hayamizu, Tokyo (JP)**

(73) Assignee: **PENTAX Corporation, Tokyo (JP)**

(**) Term: **14 Years**

(21) Appl. No.: **29/166,209**

(22) Filed: **Aug. 26, 2002**

(30) **Foreign Application Priority Data**

Feb. 27, 2002 (JP) 2002-004925

Feb. 27, 2002 (JP) 2002-004932

Feb. 27, 2002 (JP) 2002-004933

(51) **LOC (7) Cl.** **24-02**

(52) **U.S. Cl.** **D24/138; D24/129**

(58) **Field of Search** D24/138, 129,
D24/137; 600/132, 134, 174, 453, 160,
459, 461, 142, 131; 348/75, 65

(56) **References Cited**

U.S. PATENT DOCUMENTS

6,099,466 A * 8/2000 Sano et al. 600/160

6,319,197 B1 * 11/2001 Tsuji et al. 600/132

6,482,149 B1 * 11/2002 Torii 600/142

6,508,758 B2 * 1/2003 Komi 600/131

6,511,431 B2 * 1/2003 Ohara et al. 600/459

* cited by examiner

Primary Examiner—Ian Simmons

(74) *Attorney, Agent, or Firm*—Sughrue Mion, PLLC

(57) **CLAIM**

The ornamental design for a connector for endoscope, as shown and described.

DESCRIPTION

FIG. 1 is a perspective view of the top, front and one end of a connector for an endoscope showing my new design;

FIG. 2 is a top plan view thereof;

FIG. 3 is a front elevational view thereof;

FIG. 4 is an end elevational view of said one end thereof;

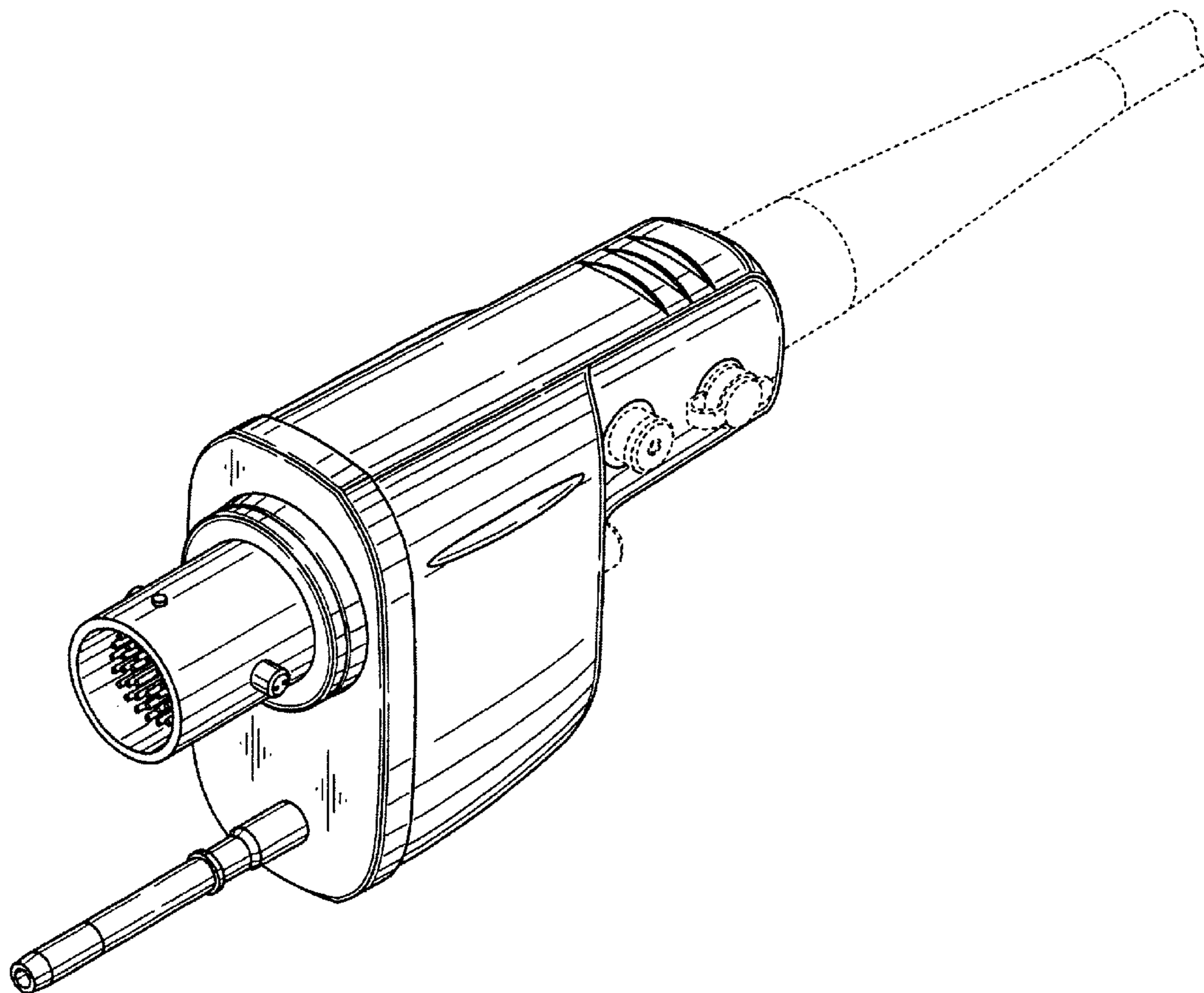
FIG. 5 is an end elevational view of an opposite end thereof;

FIG. 6 is a rear elevational view thereof; and,

FIG. 7 is a bottom plan view thereof.

The elements shown in broken lines do not constitute any part of the claimed design.

1 Claim, 4 Drawing Sheets



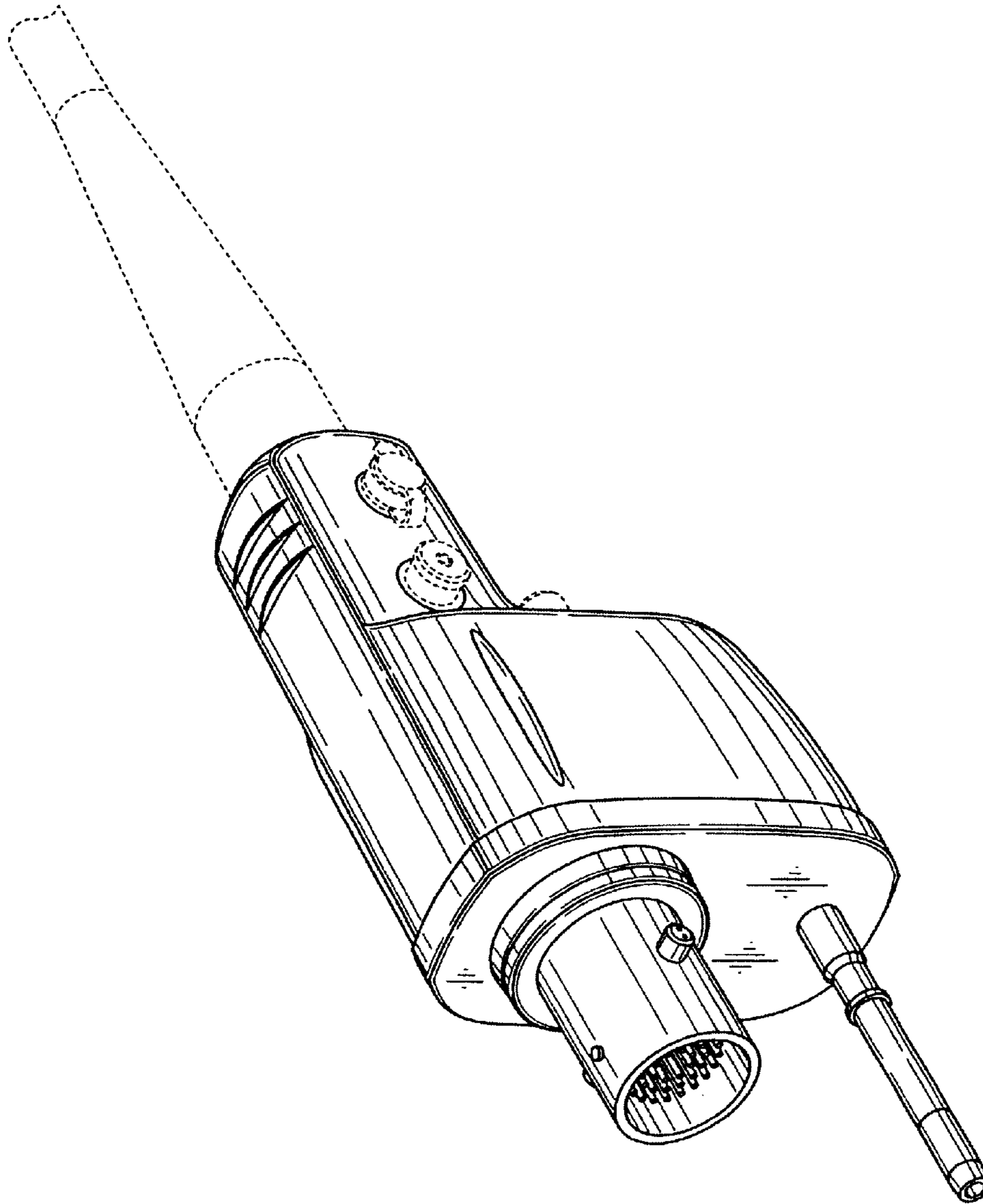


Fig. 1

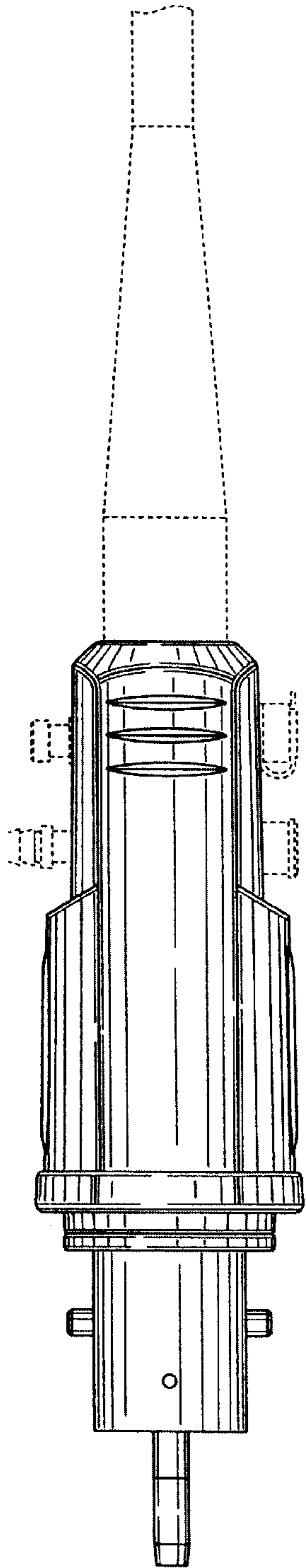


Fig. 2

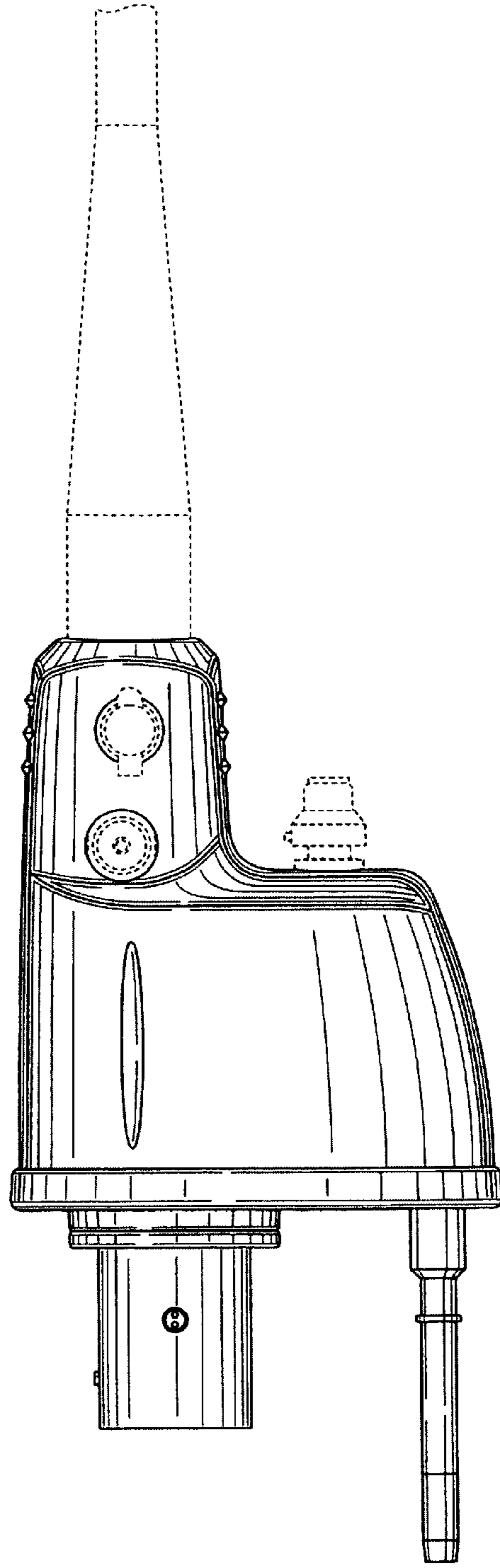


Fig. 3

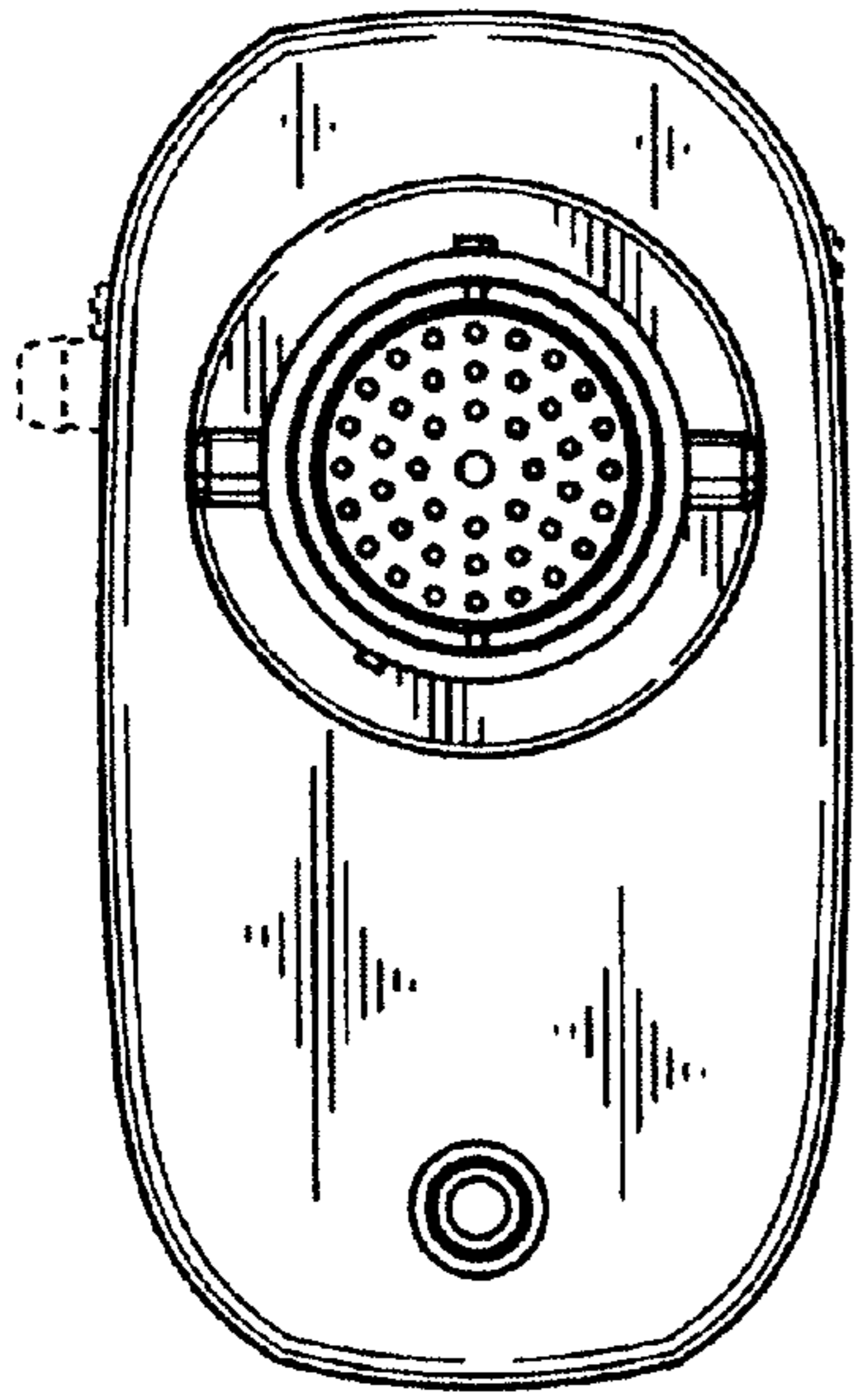


Fig. 4

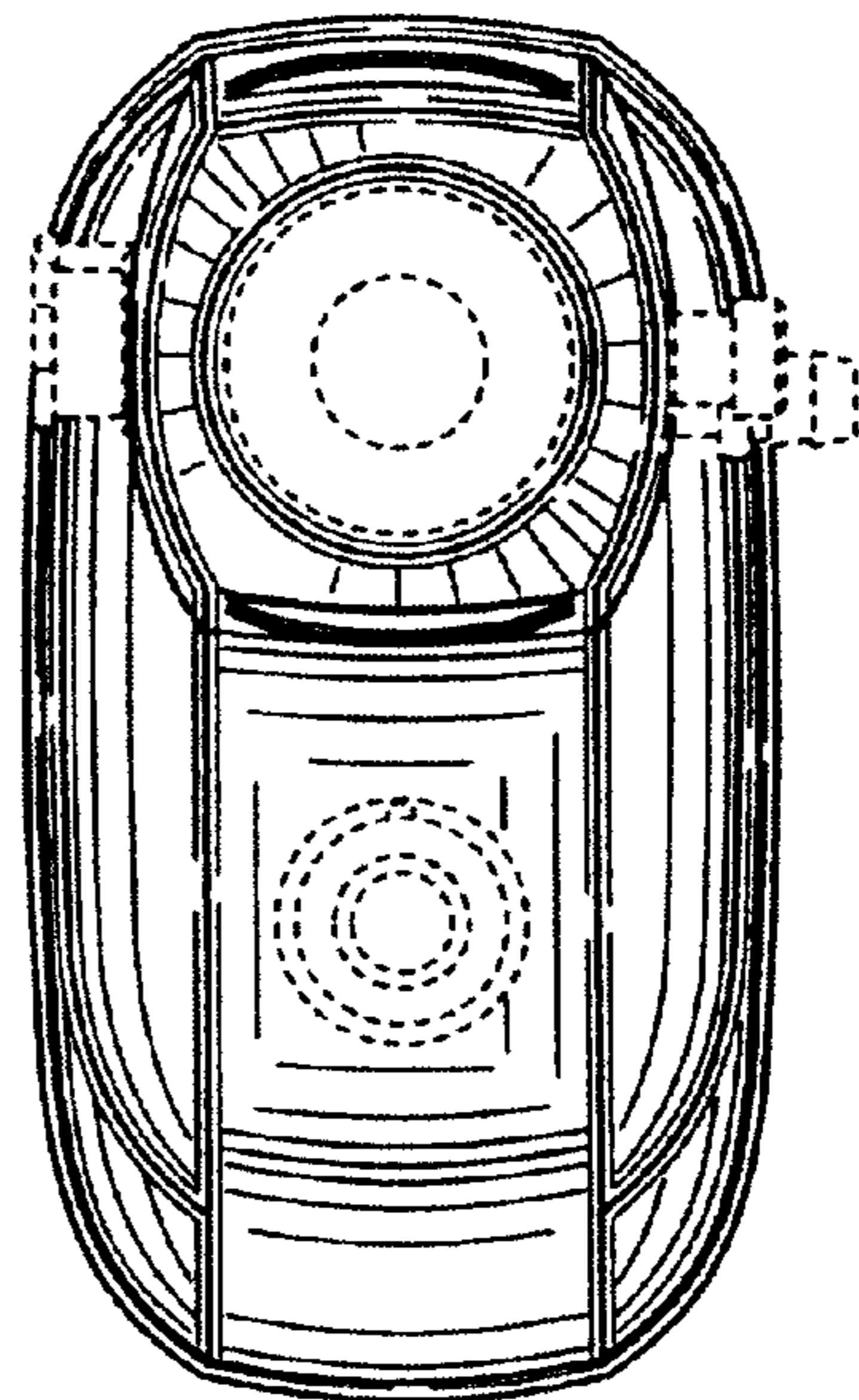


Fig. 5

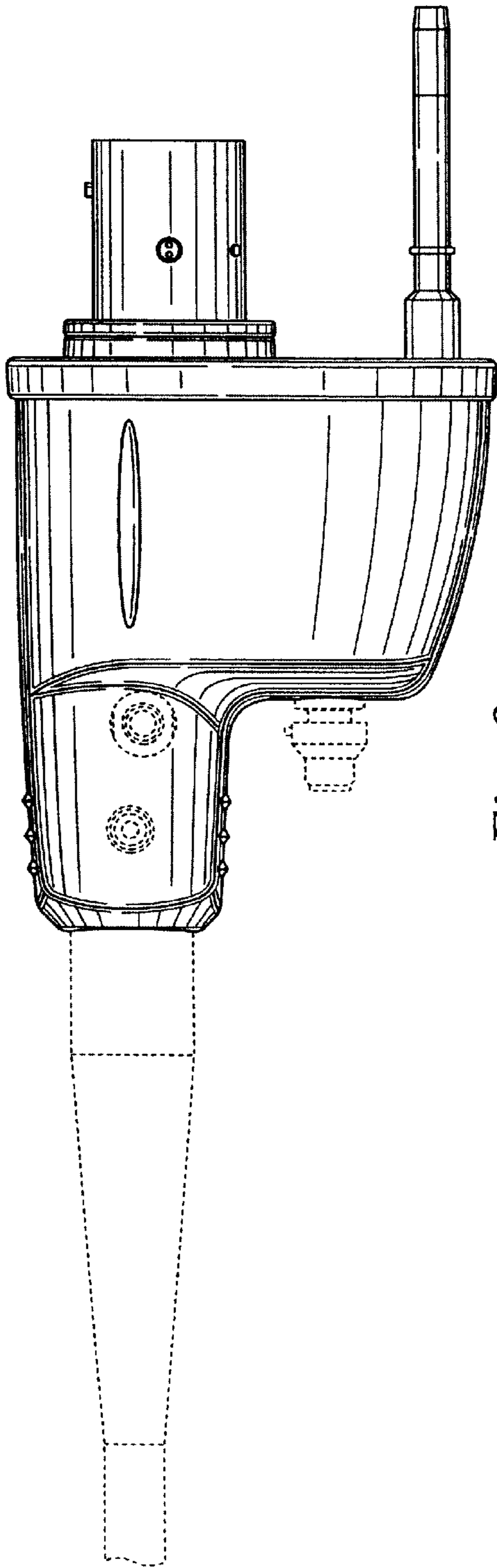


Fig. 6

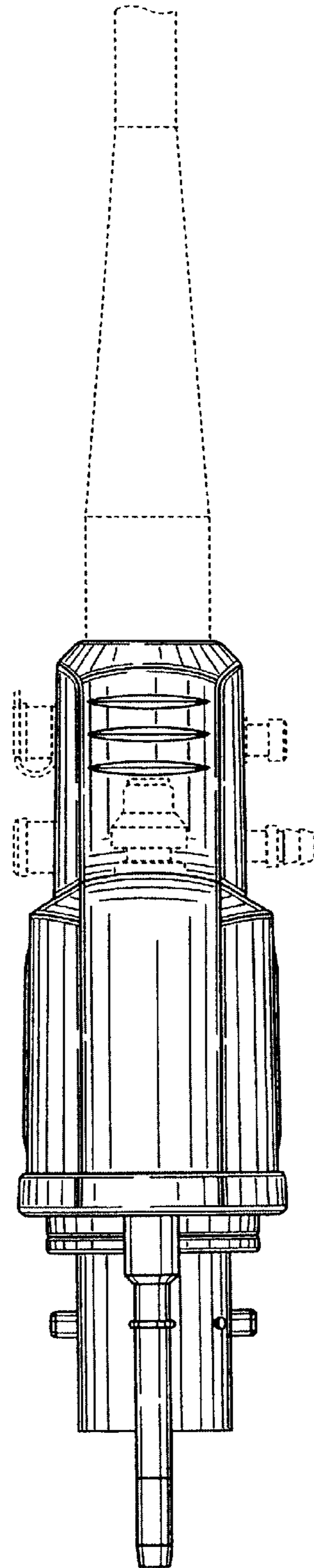


Fig. 7