



US00D490891S

(12) **United States Design Patent**
Silvestri

(10) **Patent No.:** **US D490,891 S**

(45) **Date of Patent:** **** Jun. 1, 2004**

(54) **UNDERWATER FACE MASK**

(75) Inventor: **Andrea Silvestri**, Genoa (IT)

(73) Assignee: **HTM Sport S.p.A.** (IT)

(**) Term: **14 Years**

(21) Appl. No.: **29/178,495**

(22) Filed: **Mar. 28, 2003**

(30) **Foreign Application Priority Data**

Oct. 2, 2002 (IT) GE2002O0008

(51) **LOC (7) Cl.** **29-02**

(52) **U.S. Cl.** **D24/110.2; D16/311**

(58) **Field of Search** **D24/110.2; D16/311;**
128/201.12, 201.27, 200.29; 2/428, 452

(56) **References Cited**

U.S. PATENT DOCUMENTS

D277,332 S * 1/1985 Fireman D24/110.2

D309,508 S * 7/1990 Sugita D24/110.2
D320,867 S * 10/1991 Kasama D24/110.2
5,742,946 A * 4/1998 Garofalo 2/428

* cited by examiner

Primary Examiner—Ian Simmons

(74) *Attorney, Agent, or Firm*—Stites & Harbison PLLC;
Marvin Petry

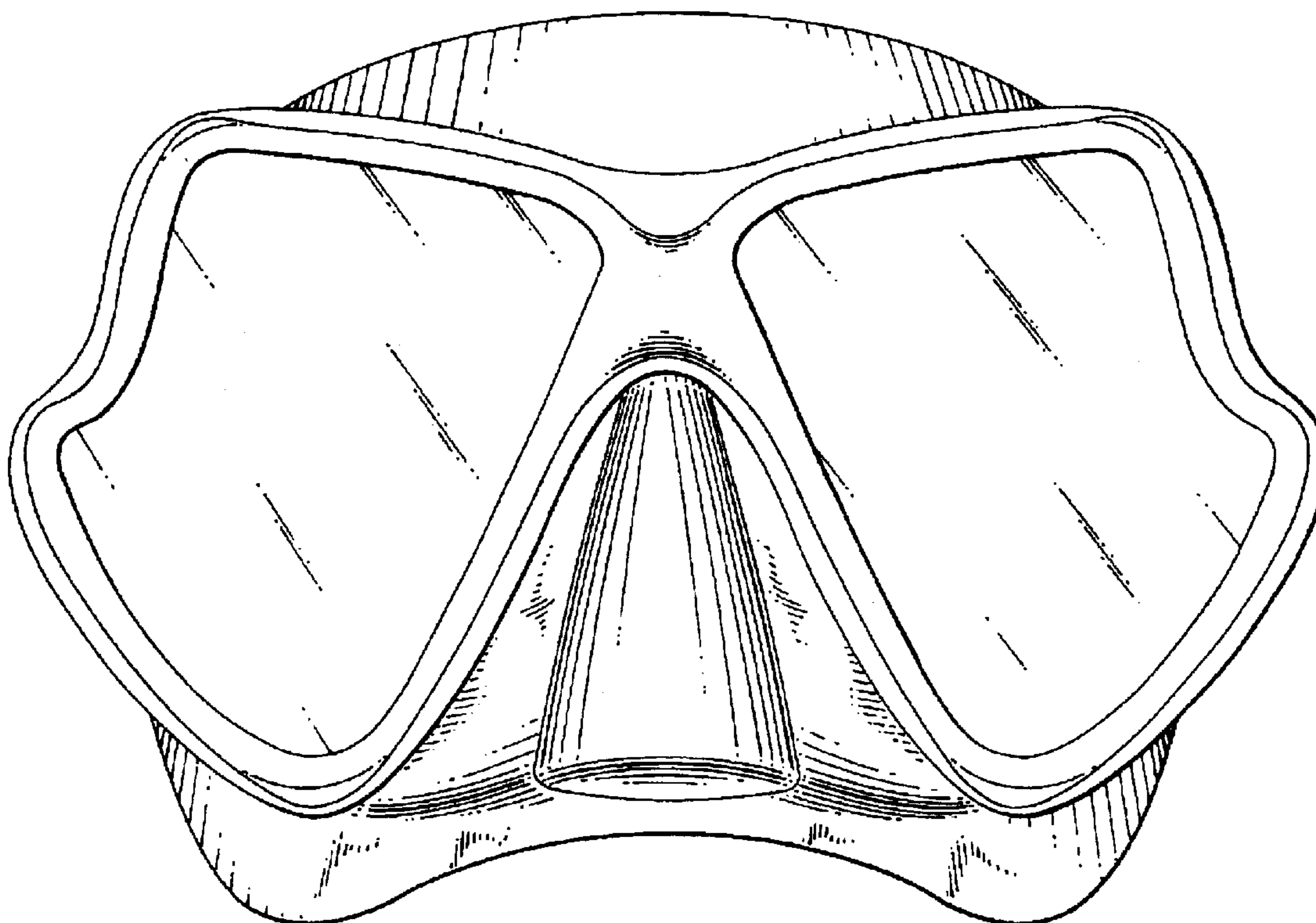
(57) **CLAIM**

The ornamental design of an underwater face mask, as shown and described.

DESCRIPTION

FIG. 1 is a front-side elevational view of the underwater face mask according to the new design;
FIG. 2 is a rear-side elevational view thereof;
FIG. 3 is a top plan view thereof;
FIG. 4 is a bottom plan view thereof; and,
FIG. 5 is a right-side elevational view thereof, the left side being a mirror image thereof.

1 Claim, 5 Drawing Sheets



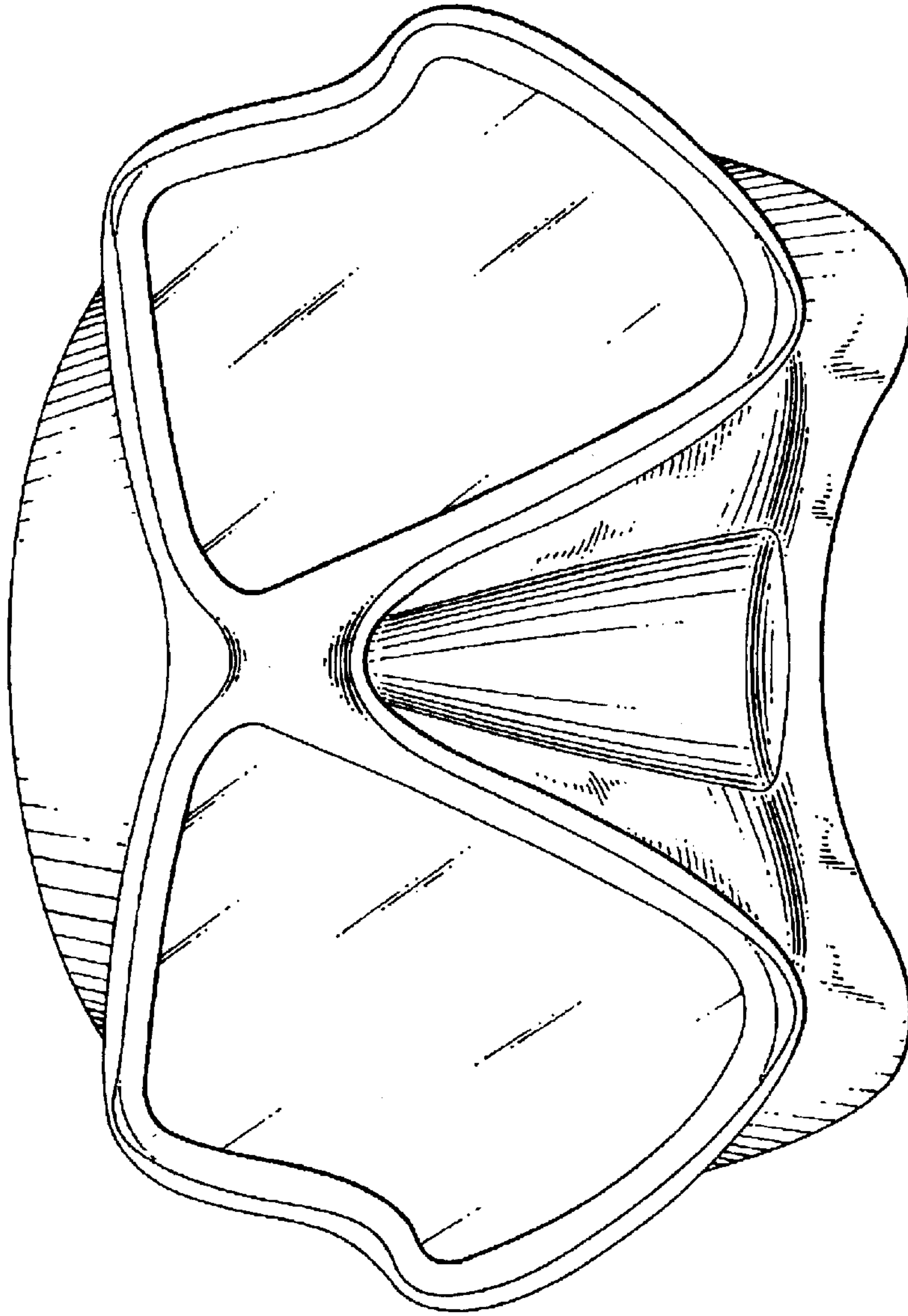


Fig. 1

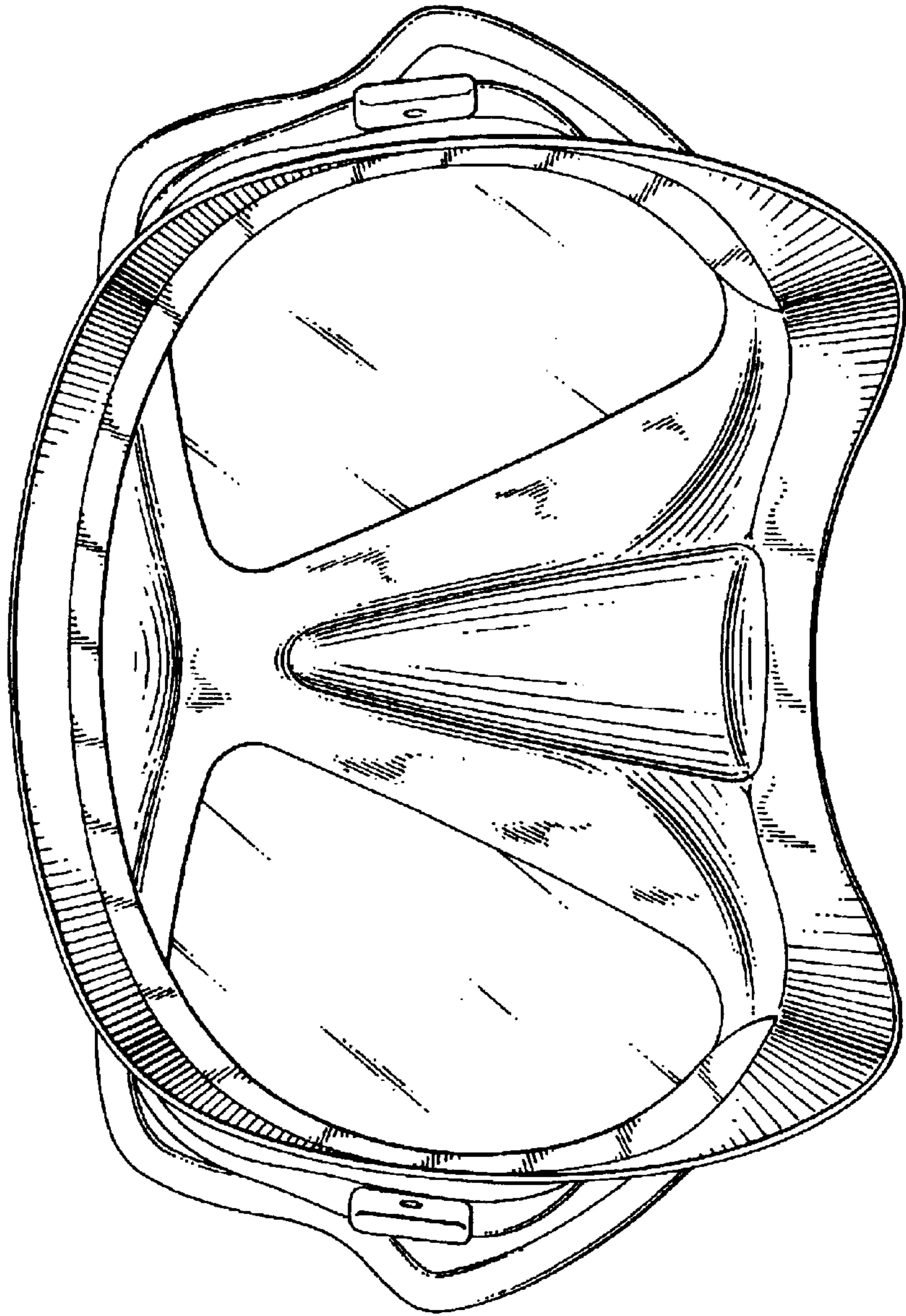


Fig. 2

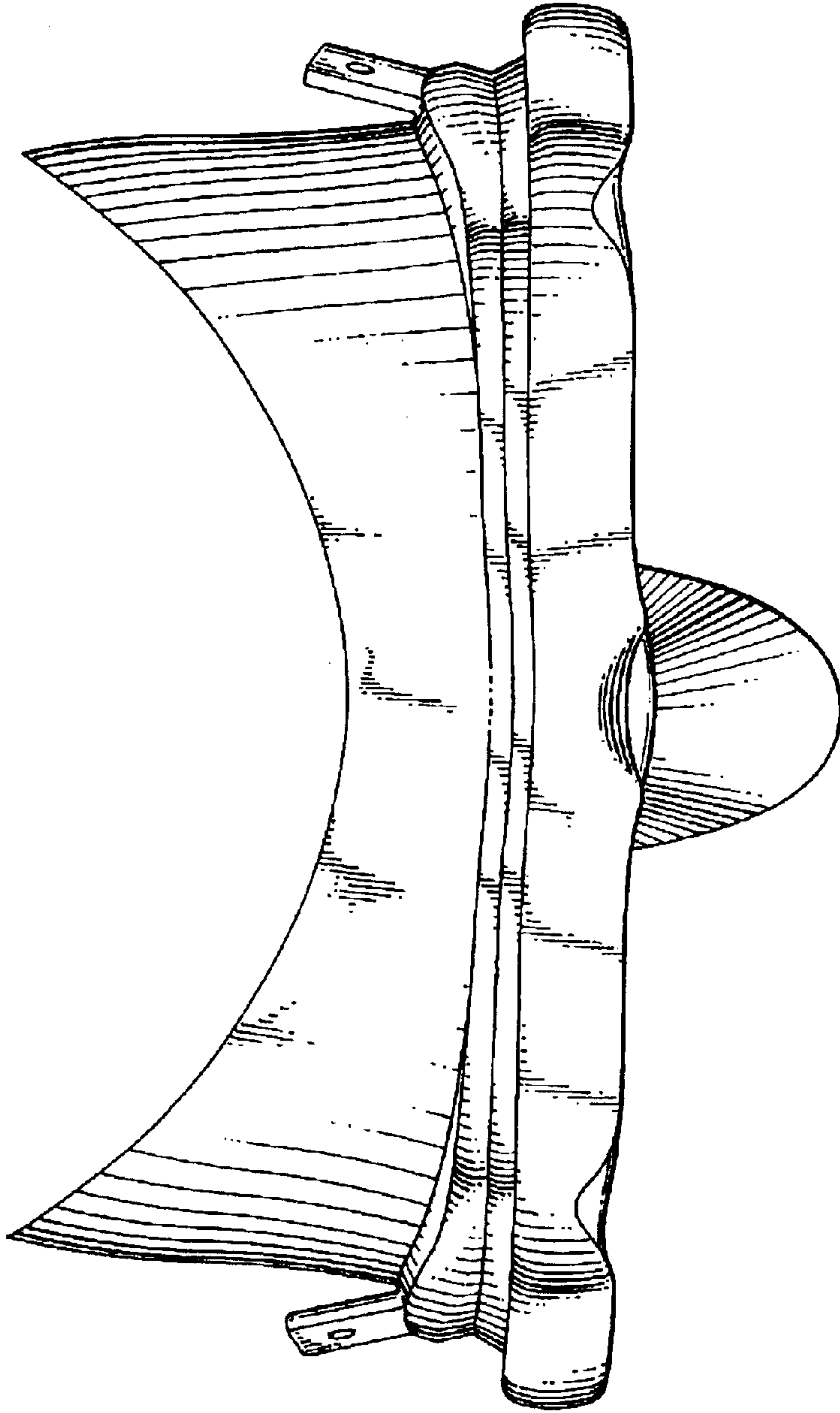


Fig. 3

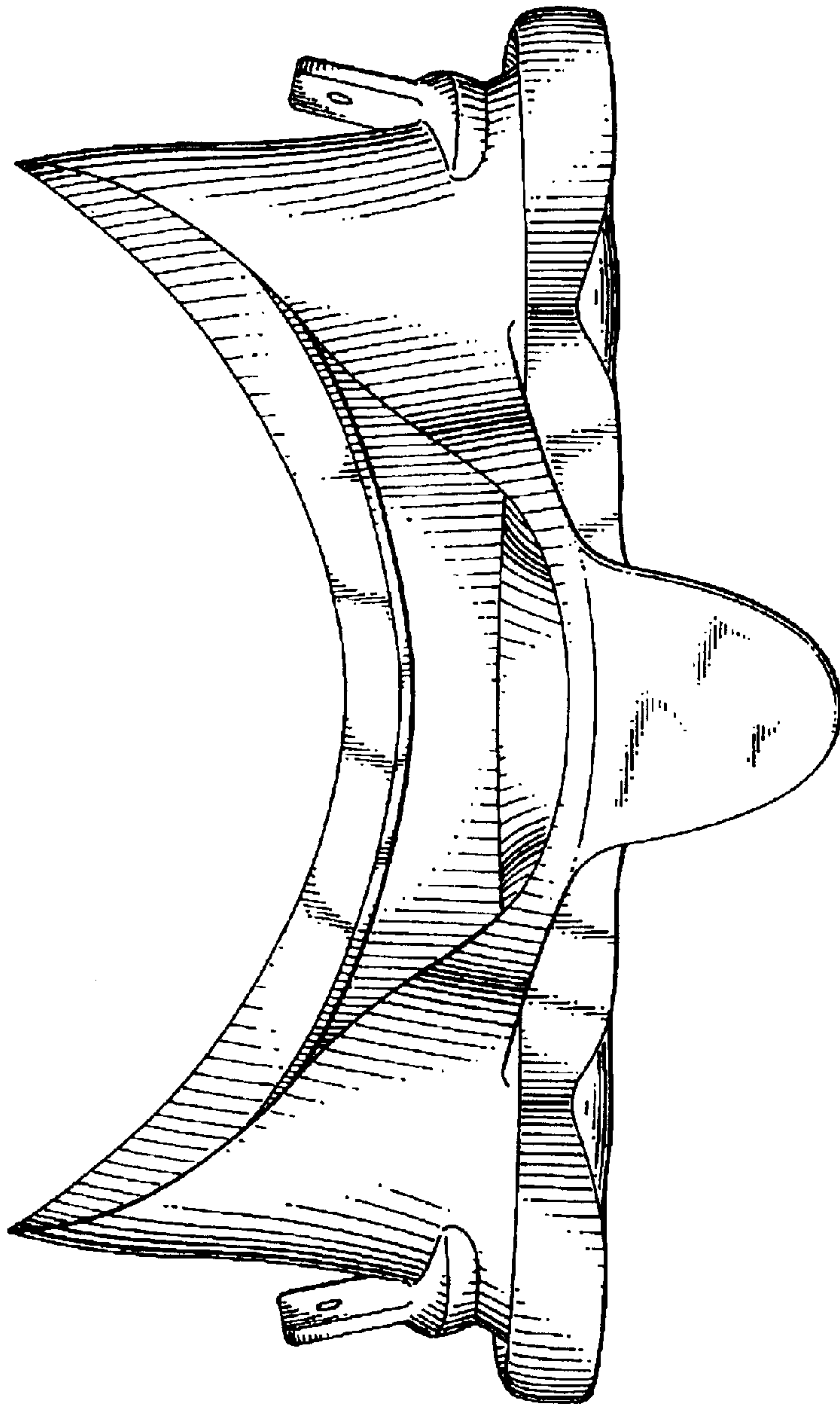


Fig. 4

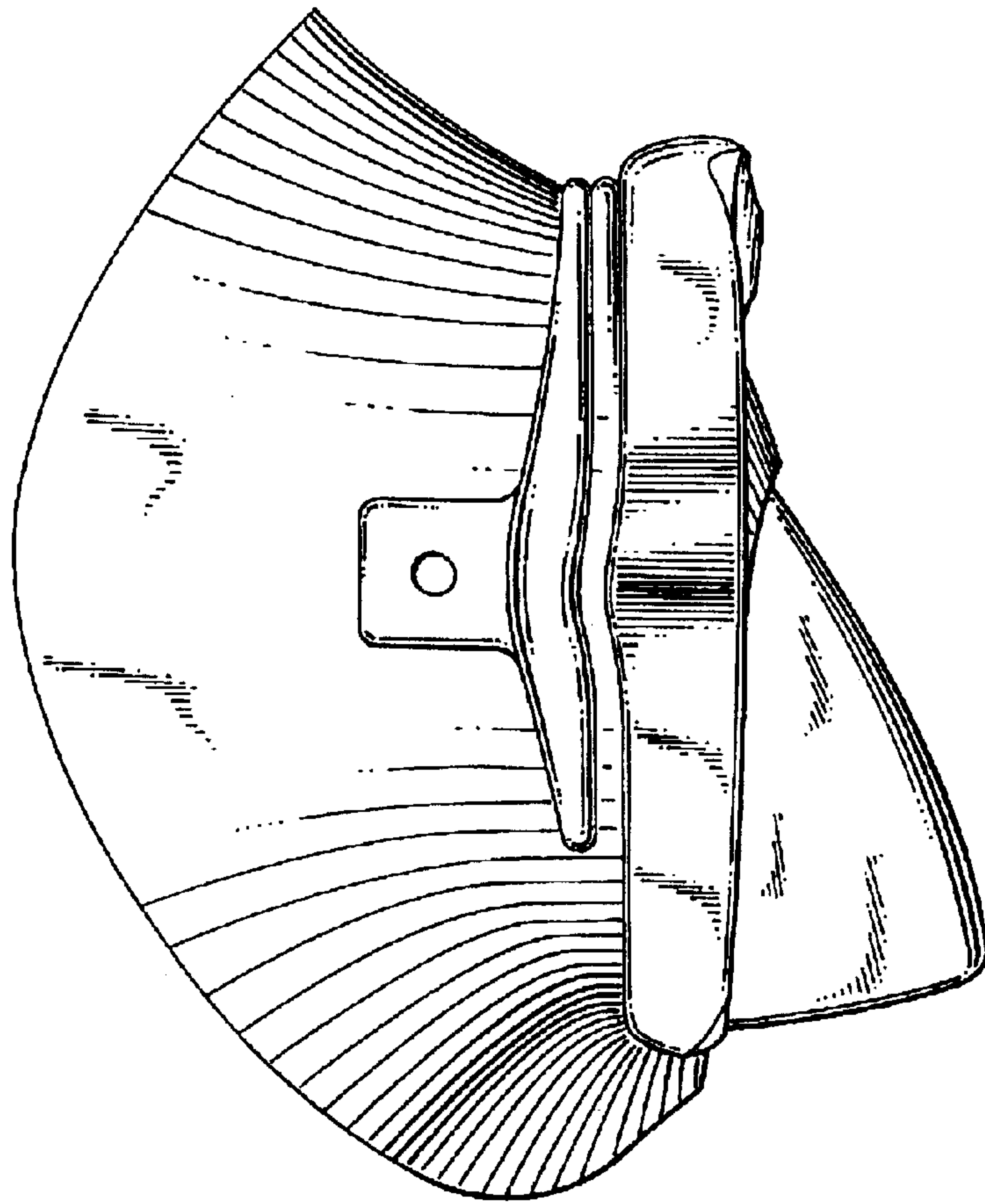


Fig. 5