



US00D490890S

(12) **United States Design Patent**  
**Li**

(10) **Patent No.:** **US D490,890 S**

(45) **Date of Patent:** **\*\* Jun. 1, 2004**

(54) **PERCUTANEOUS ENDOSCOPIC GASTRONOMY DEVICE**

(75) **Inventor:** **Changqing Li**, Ellettsville, IN (US)

(73) **Assignee:** **SciMed Life Systems, Inc.**, Maple Grove, MN (US)

(\*\*) **Term:** **14 Years**

(21) **Appl. No.:** **29/181,032**

(22) **Filed:** **May 2, 2003**

(51) **LOC (7) Cl.** ..... **24-01**

(52) **U.S. Cl.** ..... **D24/108**

(58) **Field of Search** ..... D24/108, 138;  
604/96.01, 99.03, 104, 264, 523, 910, 916

(56) **References Cited**

**U.S. PATENT DOCUMENTS**

- 4,573,576 A \* 3/1986 Krol ..... 206/471
- 4,863,438 A \* 9/1989 Gauderer et al. .... 604/247
- D323,886 S \* 2/1992 Picha et al. .... D24/108

- D323,887 S \* 2/1992 Picha et al. .... D24/108
- 5,125,897 A \* 6/1992 Quinn et al. .... 604/99.03
- D328,787 S \* 8/1992 Picha et al. .... D24/108
- 5,865,816 A \* 2/1999 Quinn ..... 604/523

\* cited by examiner

*Primary Examiner*—Stella Reid

(74) *Attorney, Agent, or Firm*—Kriegsman & Kriegsman

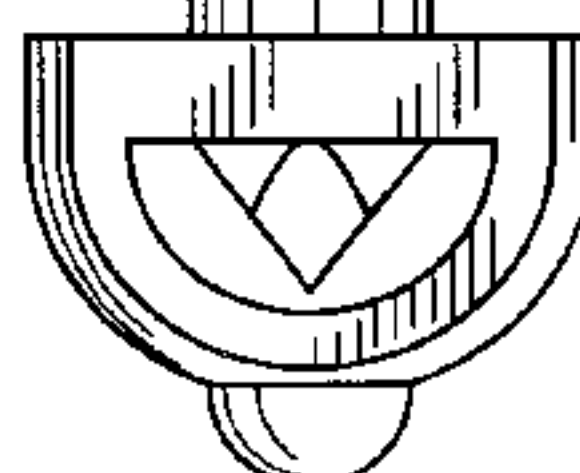
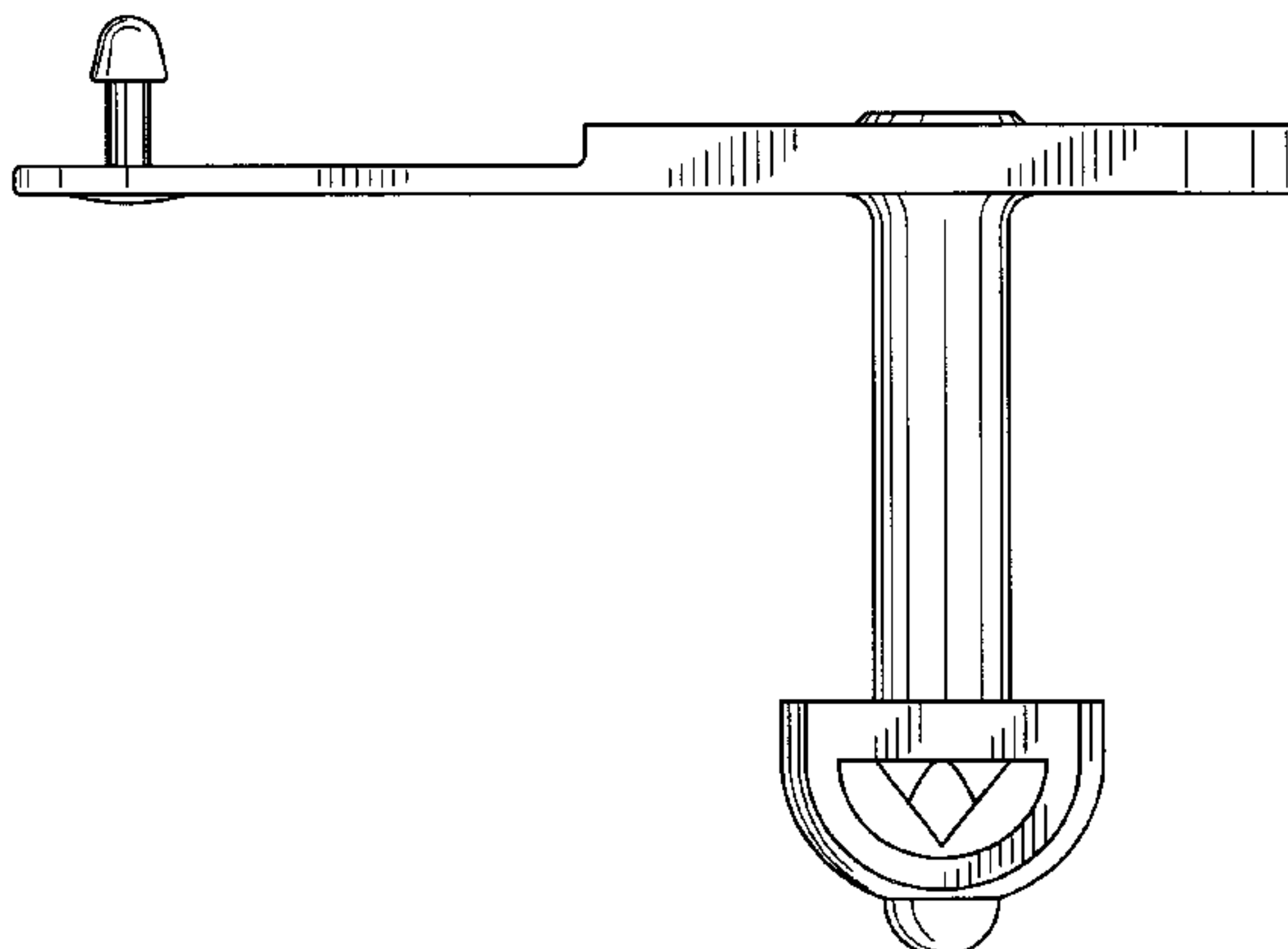
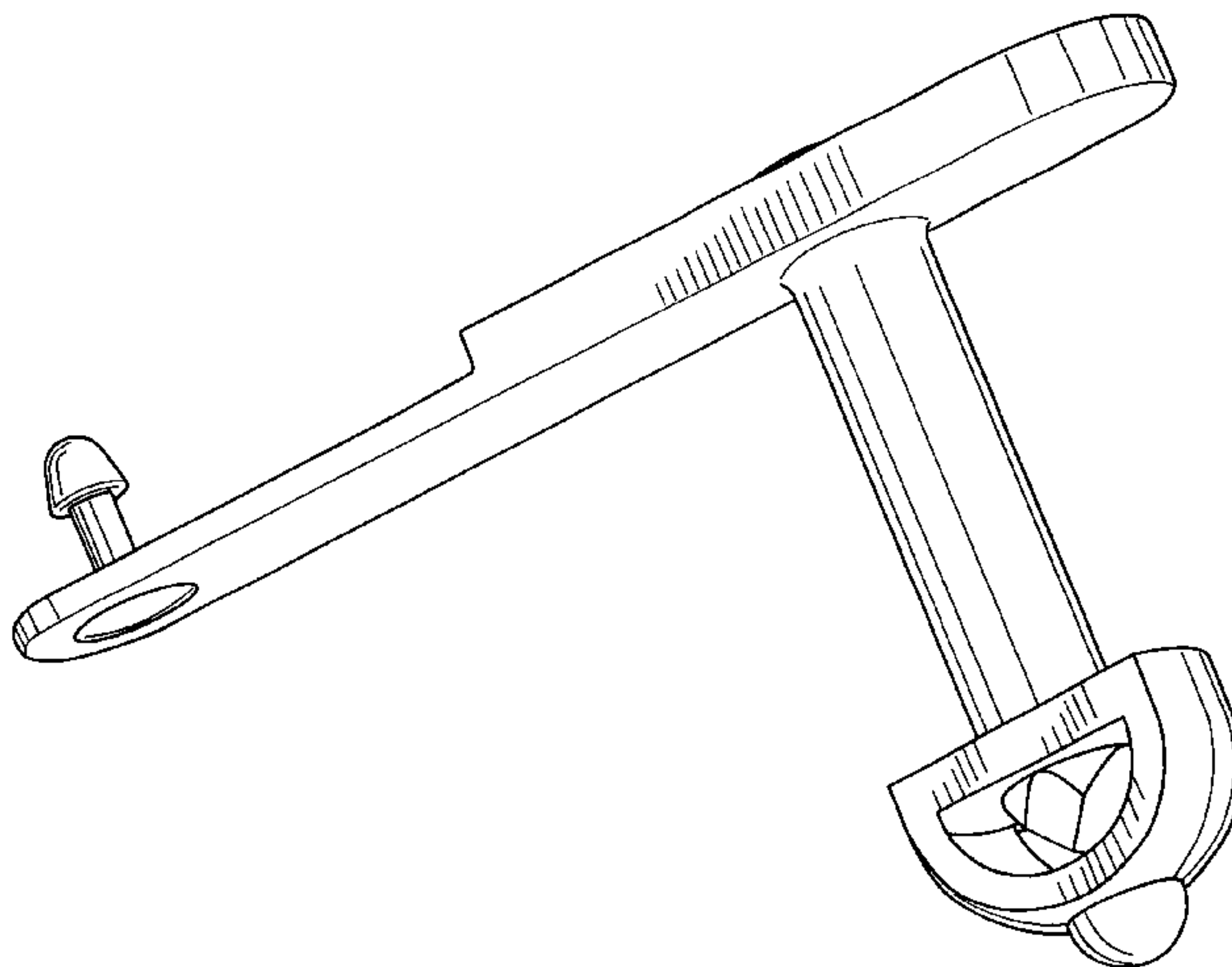
(57) **CLAIM**

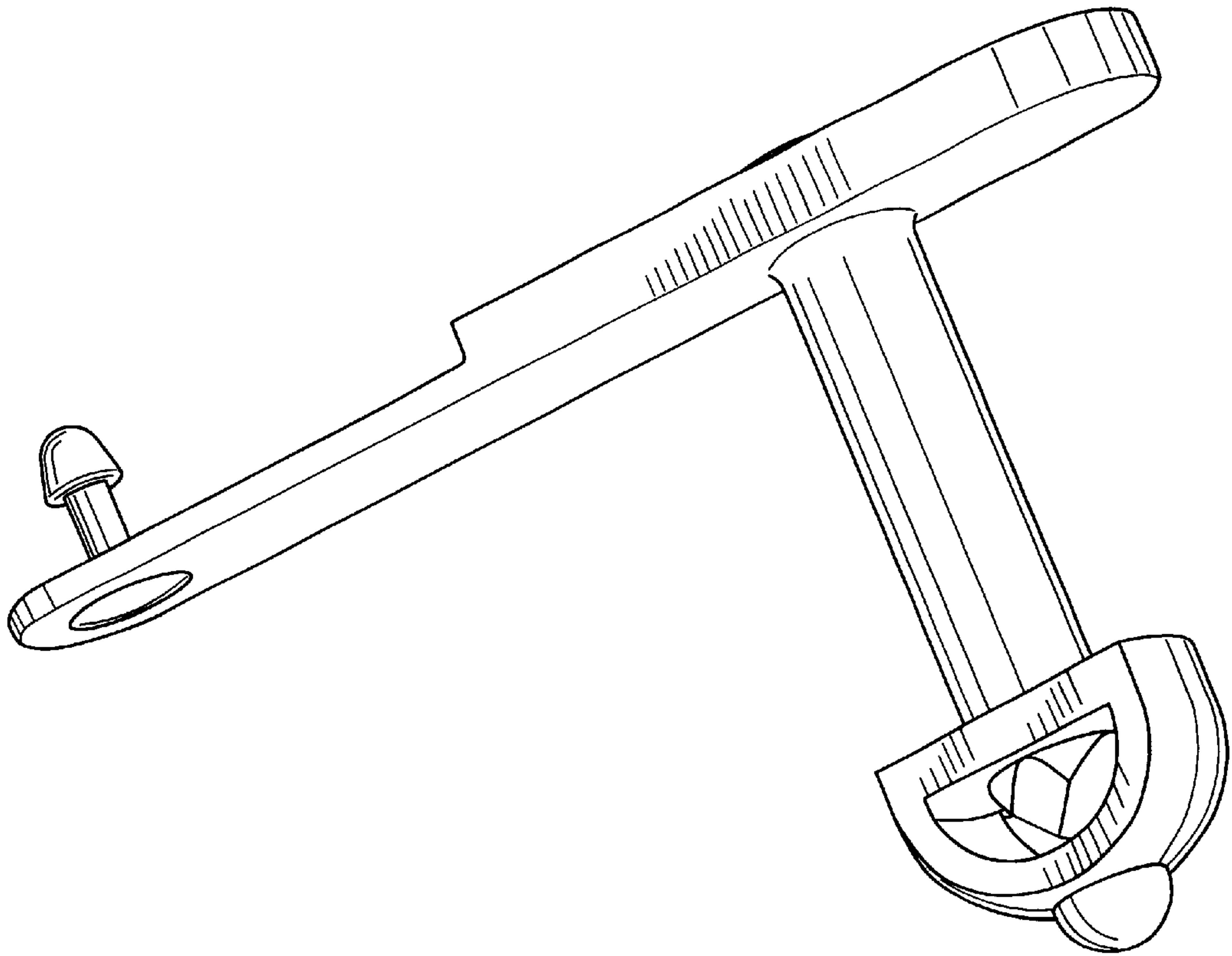
The ornamental design for a percutaneous endoscopic gastronomy device, as shown and described.

**DESCRIPTION**

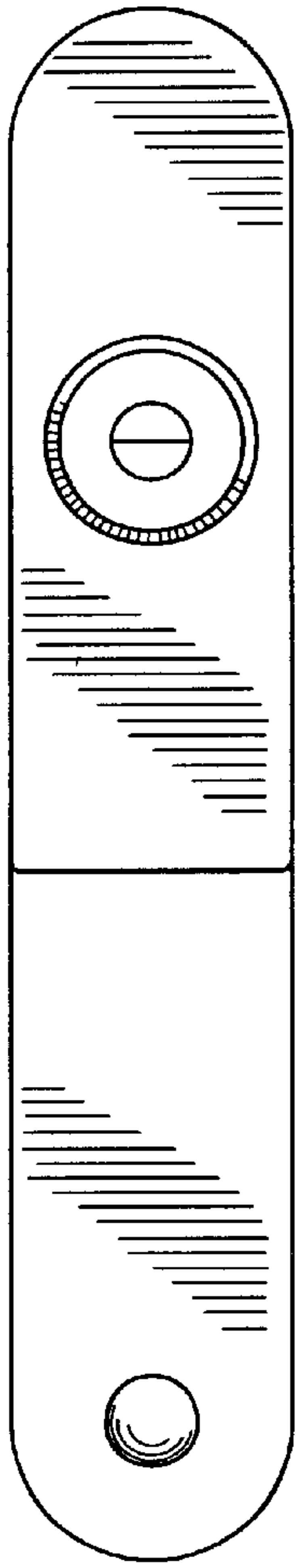
FIG. 1 is a perspective view of a percutaneous endoscopic gastronomy device, showing my new design;  
 FIG. 2 is a left side view thereof;  
 FIG. 3 is a front view thereof;  
 FIG. 4 is a top view thereof;  
 FIG. 5 is a right side view thereof;  
 FIG. 6 is a rear view thereof; and,  
 FIG. 7 is a bottom view thereof.

**1 Claim, 3 Drawing Sheets**

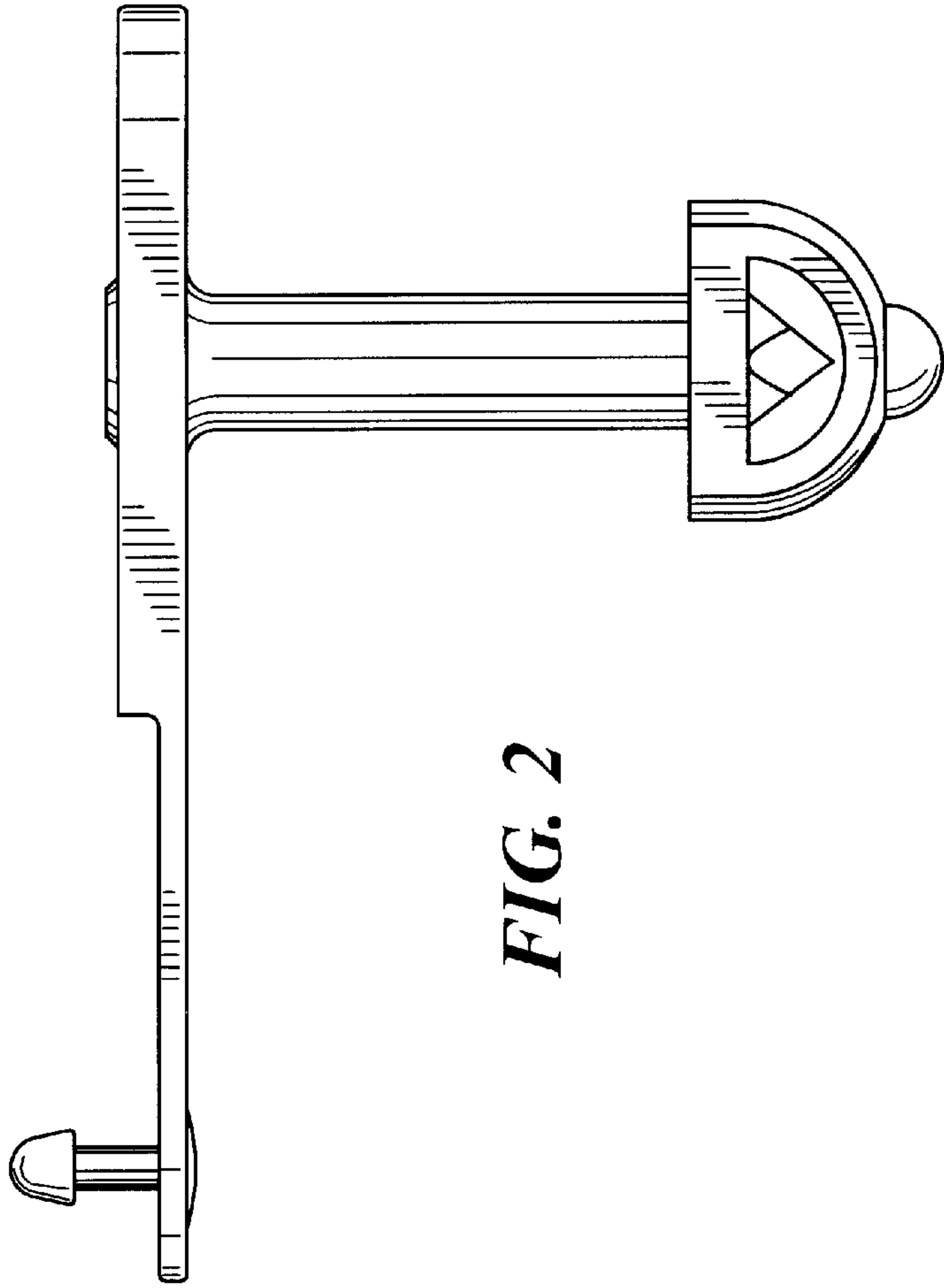




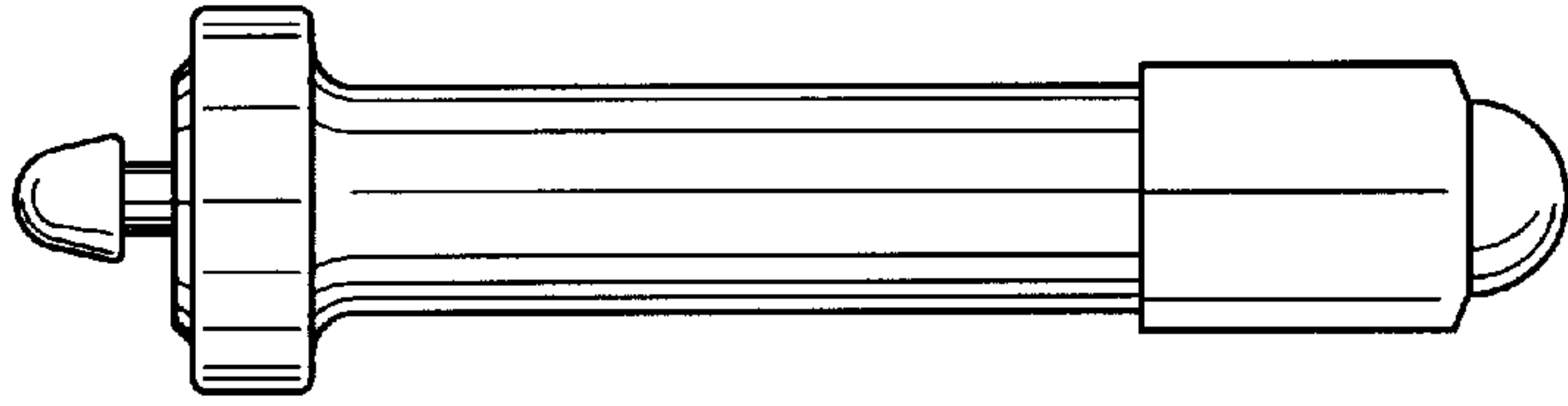
**FIG. 1**



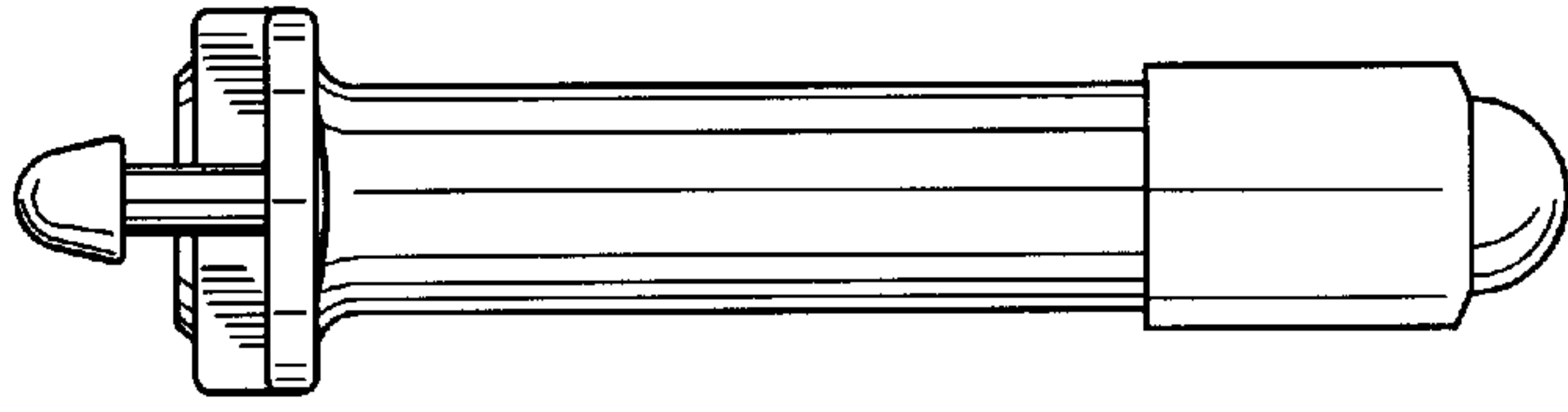
**FIG. 4**



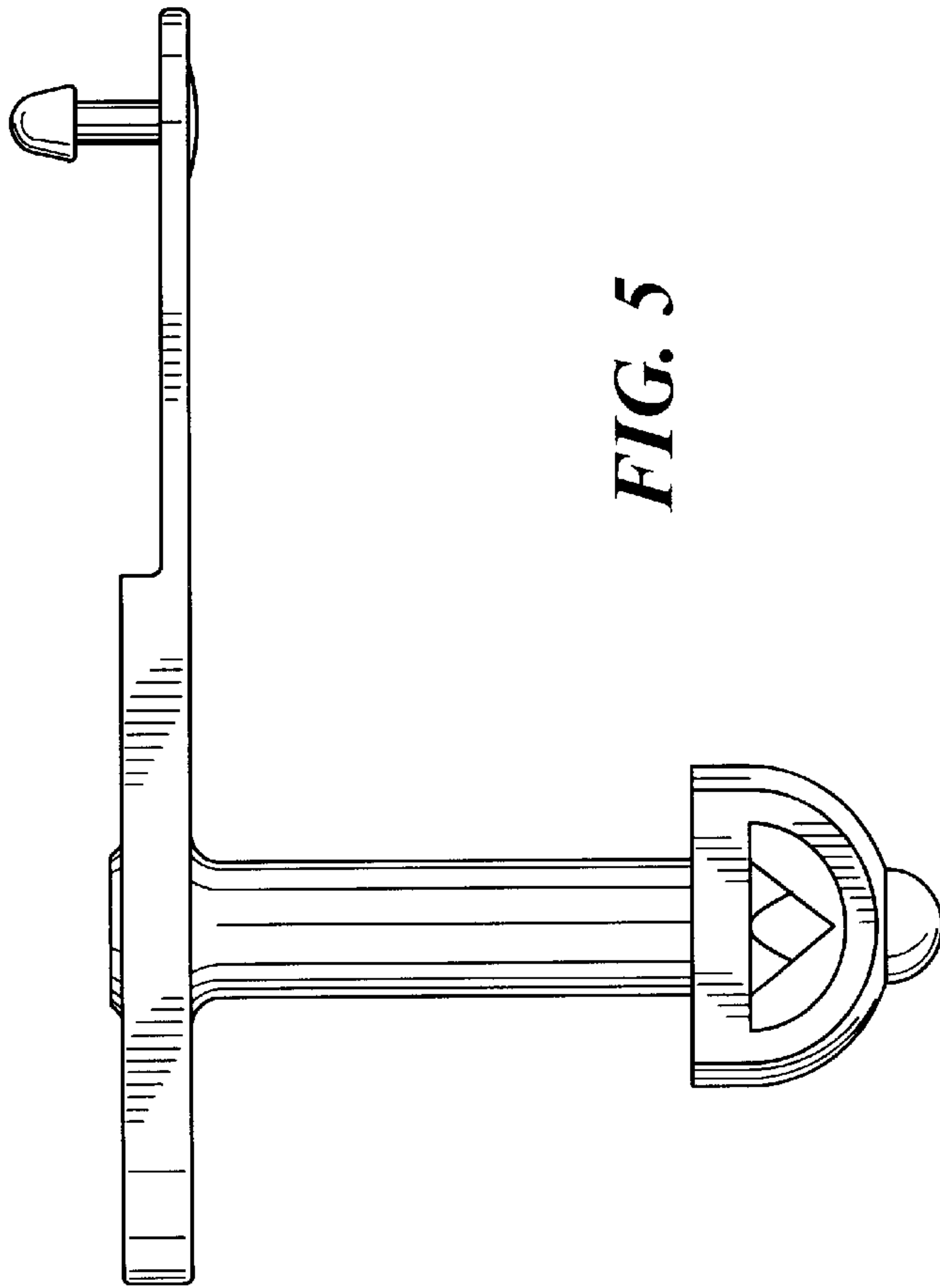
**FIG. 2**



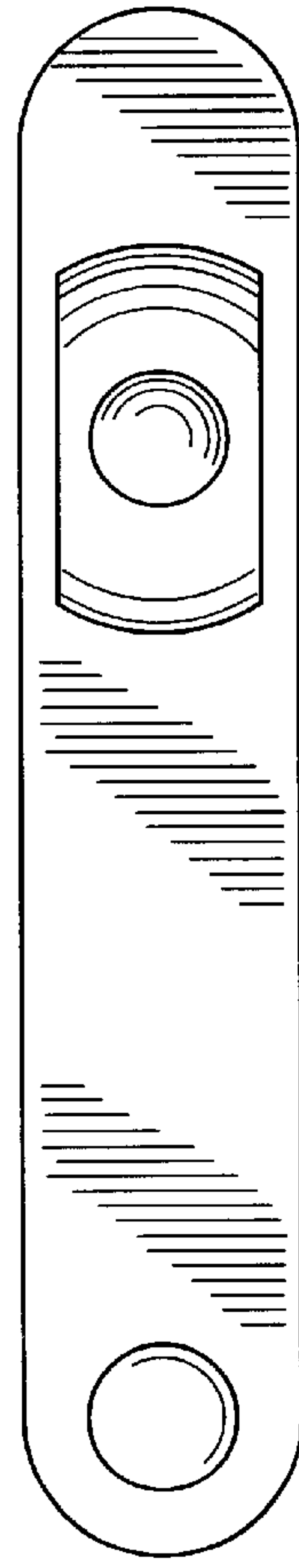
**FIG. 3**



*FIG. 6*



*FIG. 5*



*FIG. 7*