



US00D490887S

(12) **United States Design Patent**  
**Segers**

(10) **Patent No.:** **US D490,887 S**

(45) **Date of Patent:** **\*\* Jun. 1, 2004**

(54) **EXHAUST HOOD**

D471,268 S \* 3/2003 Segers ..... D23/372

(75) Inventor: **Hermann-Reinhard Segers, München (DE)**

\* cited by examiner

(73) Assignee: **BSH Bosch und Siemens Hausgeraete GmbH, Munich (DE)**

*Primary Examiner*—Lisa Lichtenstein  
(74) *Attorney, Agent, or Firm*—Laurence A. Greenberg; Werner H. Stemer; Ralph E. Locher

(\*\*) Term: **14 Years**

(57) **CLAIM**

(21) Appl. No.: **29/166,187**

The ornamental design for an exhaust hood, as shown and described.

(22) Filed: **Aug. 22, 2002**

(30) **Foreign Application Priority Data**

**DESCRIPTION**

Feb. 22, 2002 (DE) ..... 4 02 01 729

FIG. 1 is a lower, front, right perspective view of the exhaust hood according to the invention;  
FIG. 2 is a front view thereof;  
FIG. 3 is a rear view thereof;  
FIG. 4 is a right-side view thereof;  
FIG. 5 is a left-side view thereof;  
FIG. 6 is a top right rear view thereof; and,  
FIG. 7 is a top view thereof.

(51) **LOC (7) Cl.** ..... **23-04**

(52) **U.S. Cl.** ..... **D23/372**

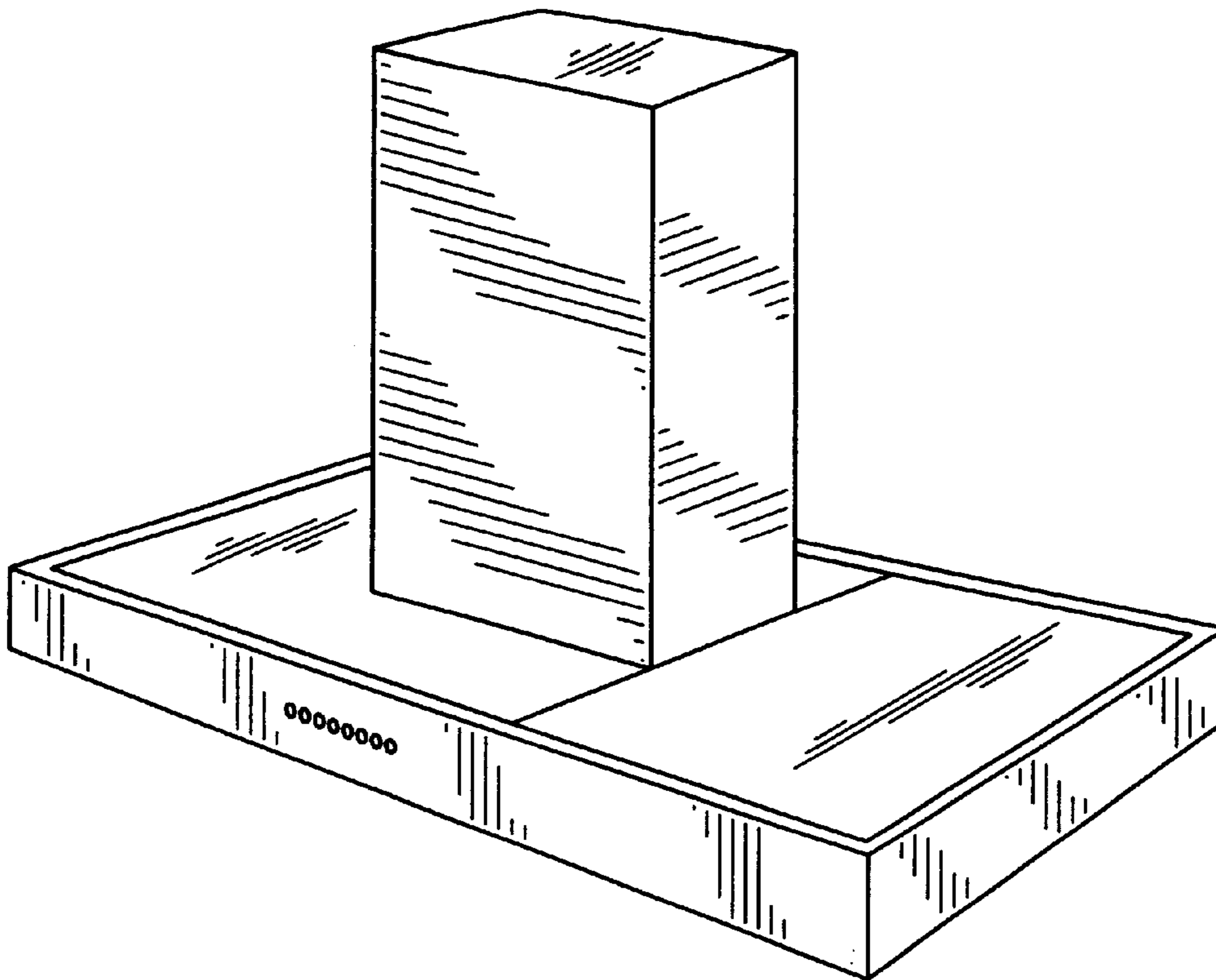
(58) **Field of Search** ..... D23/372; 126/299 R, 126/299 D

(56) **References Cited**

**U.S. PATENT DOCUMENTS**

D443,351 S \* 6/2001 Strand et al. .... D23/372

**1 Claim, 3 Drawing Sheets**



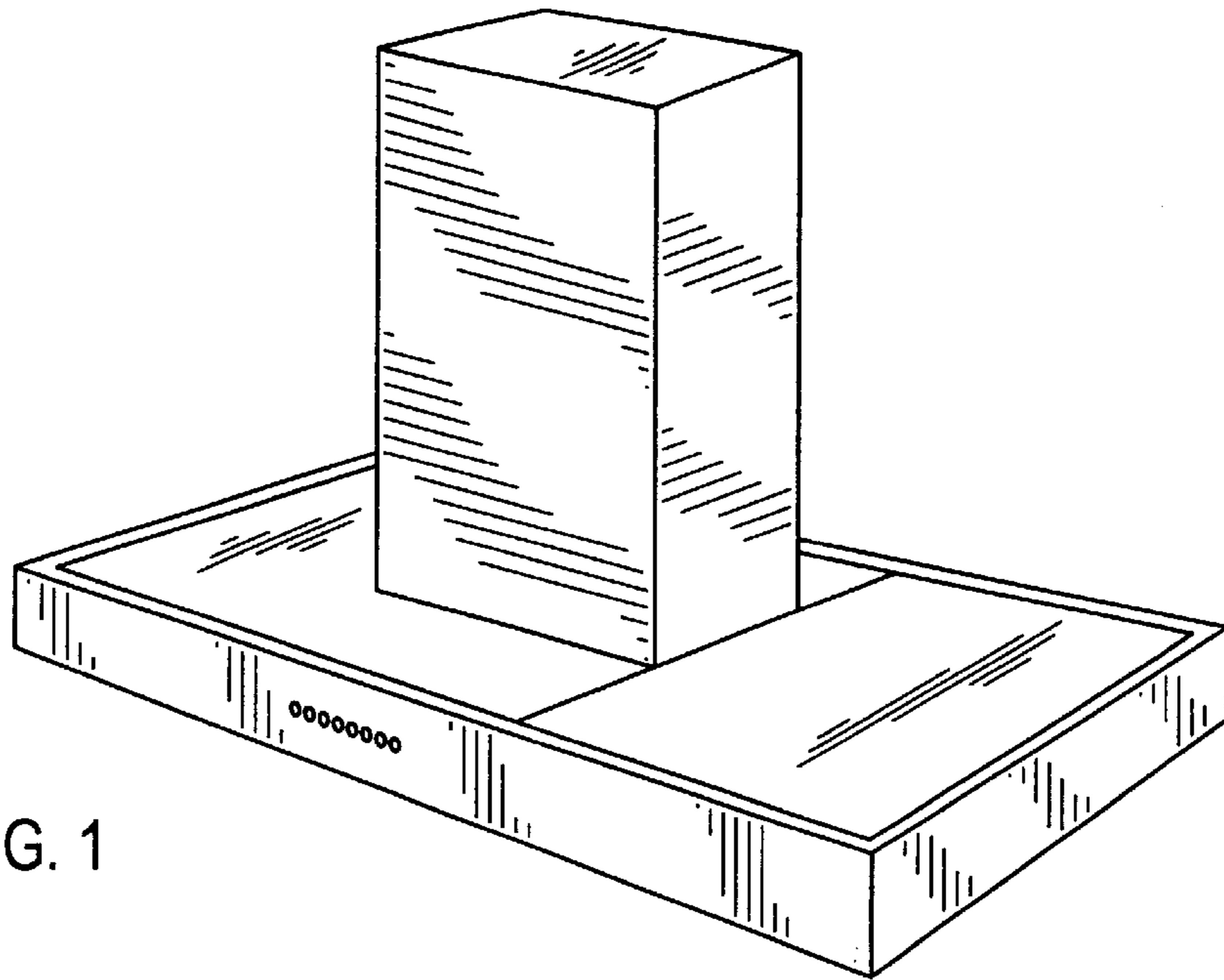


FIG. 1

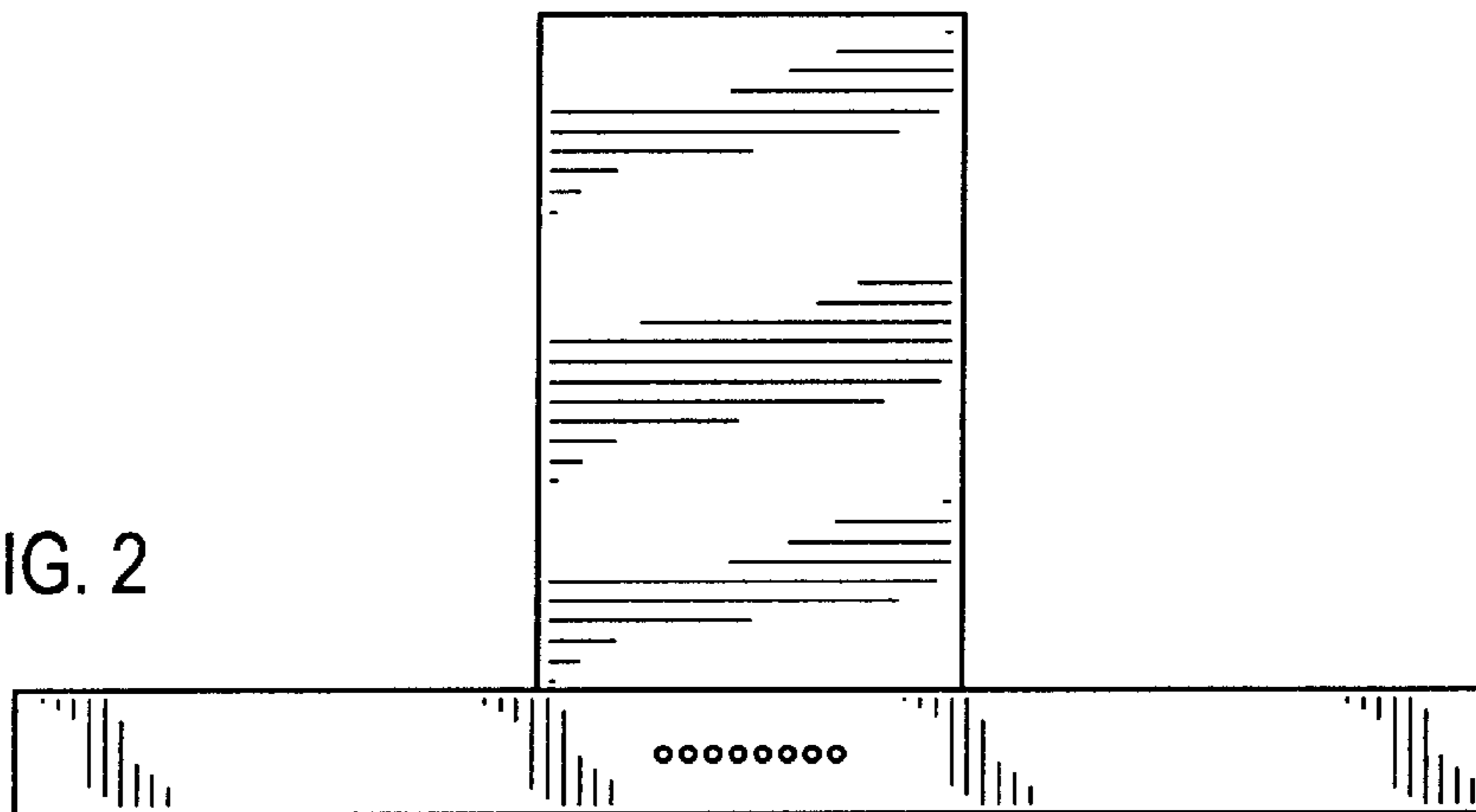


FIG. 2

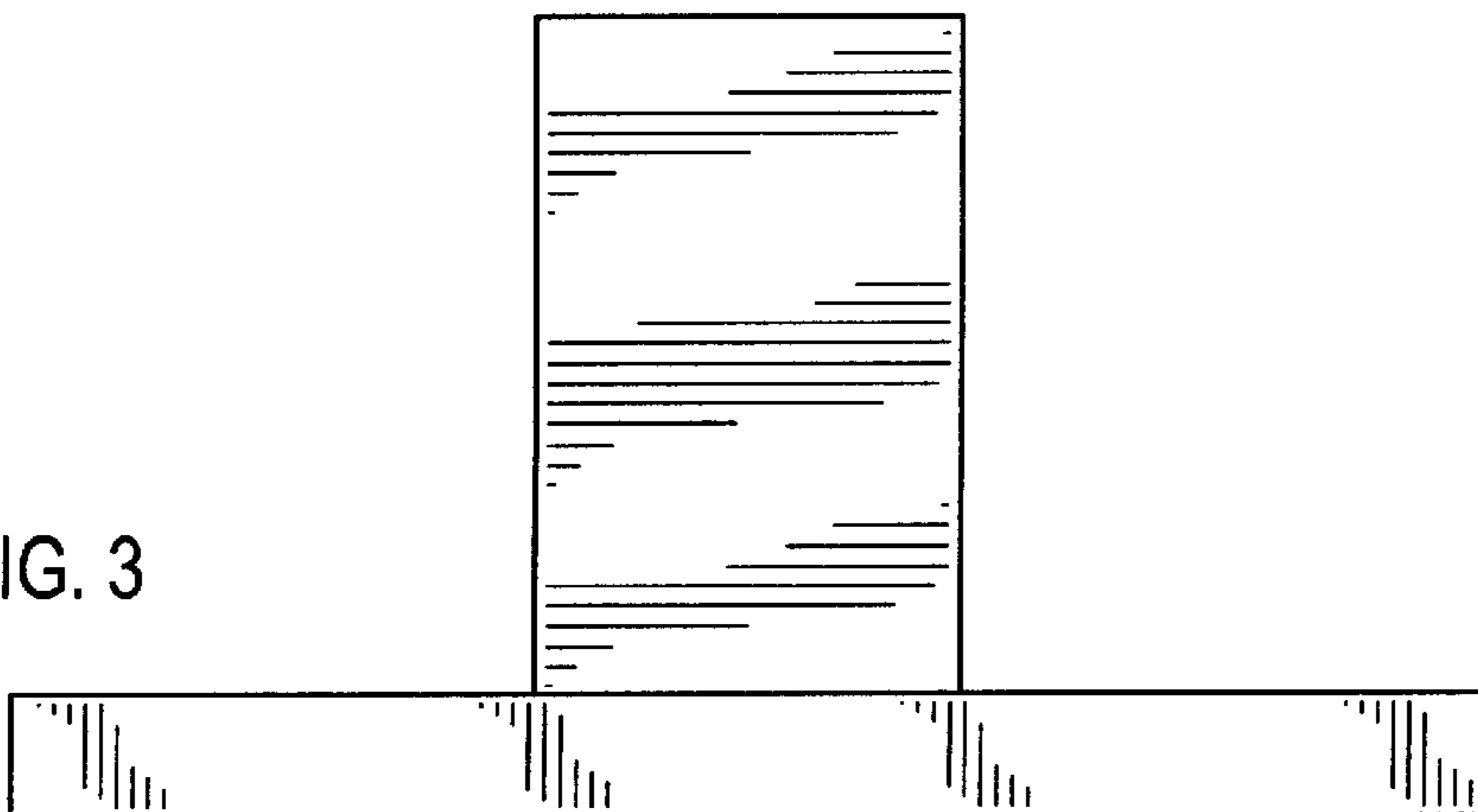


FIG. 3

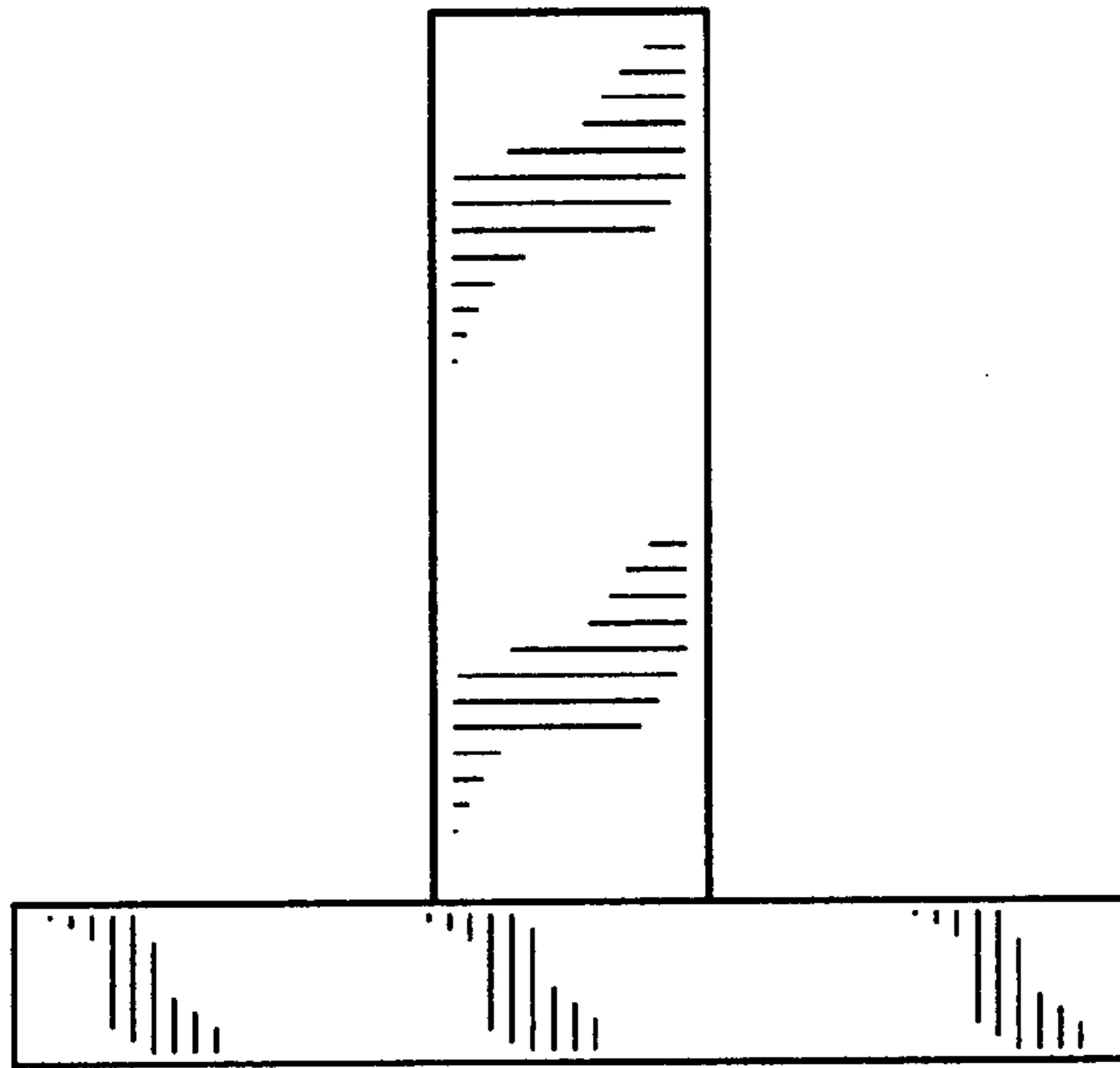


FIG. 4

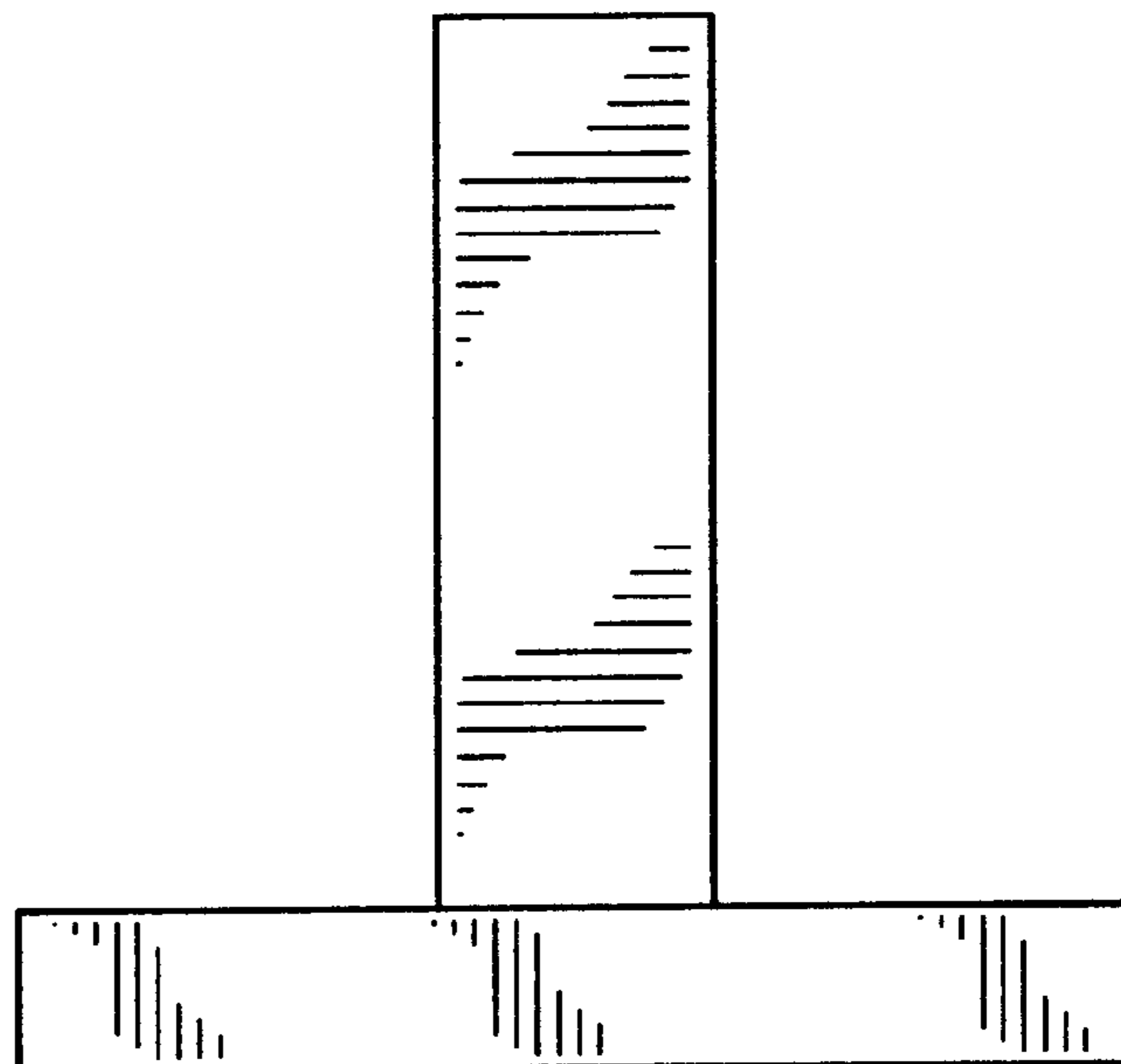


FIG. 5

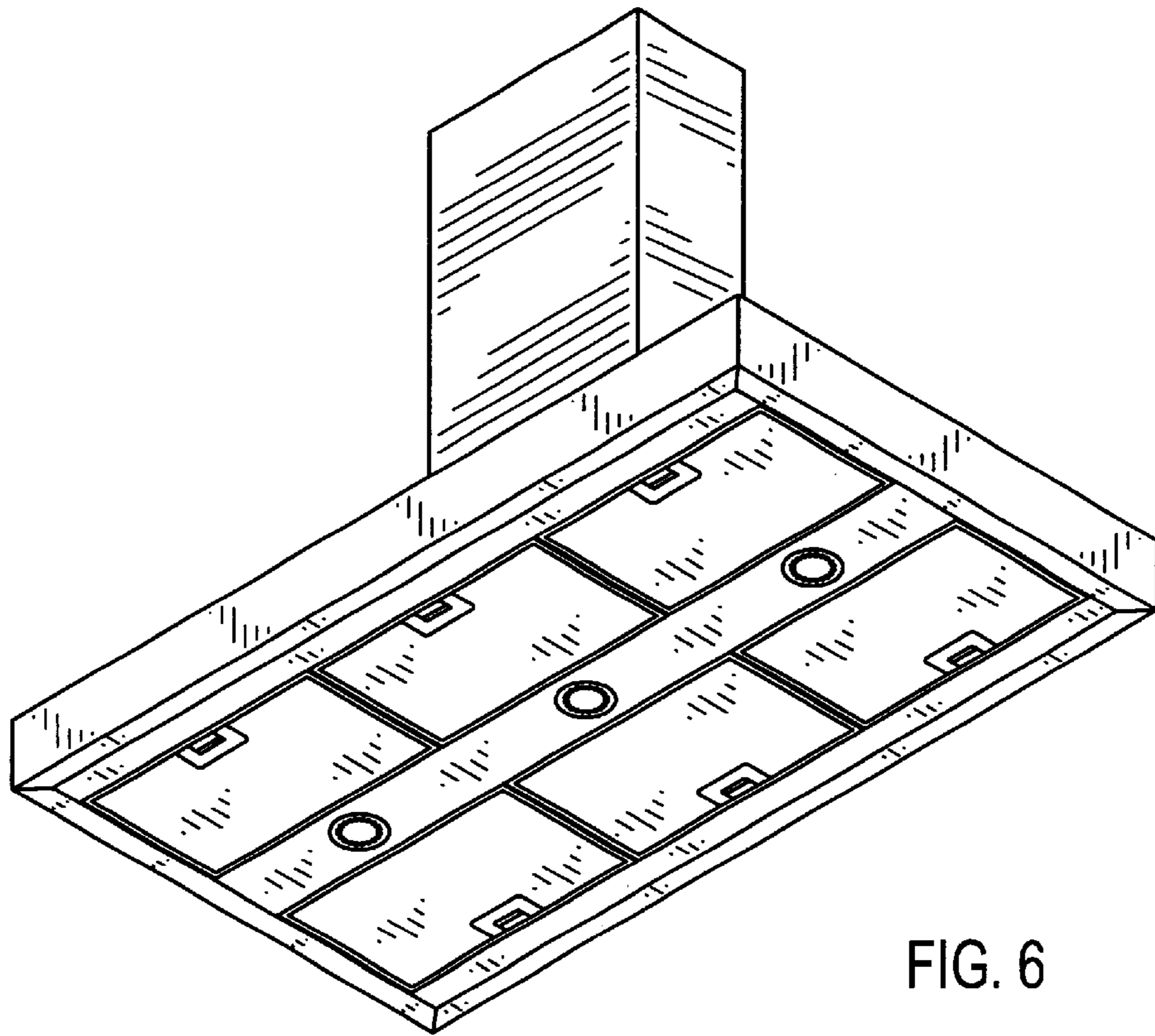


FIG. 6

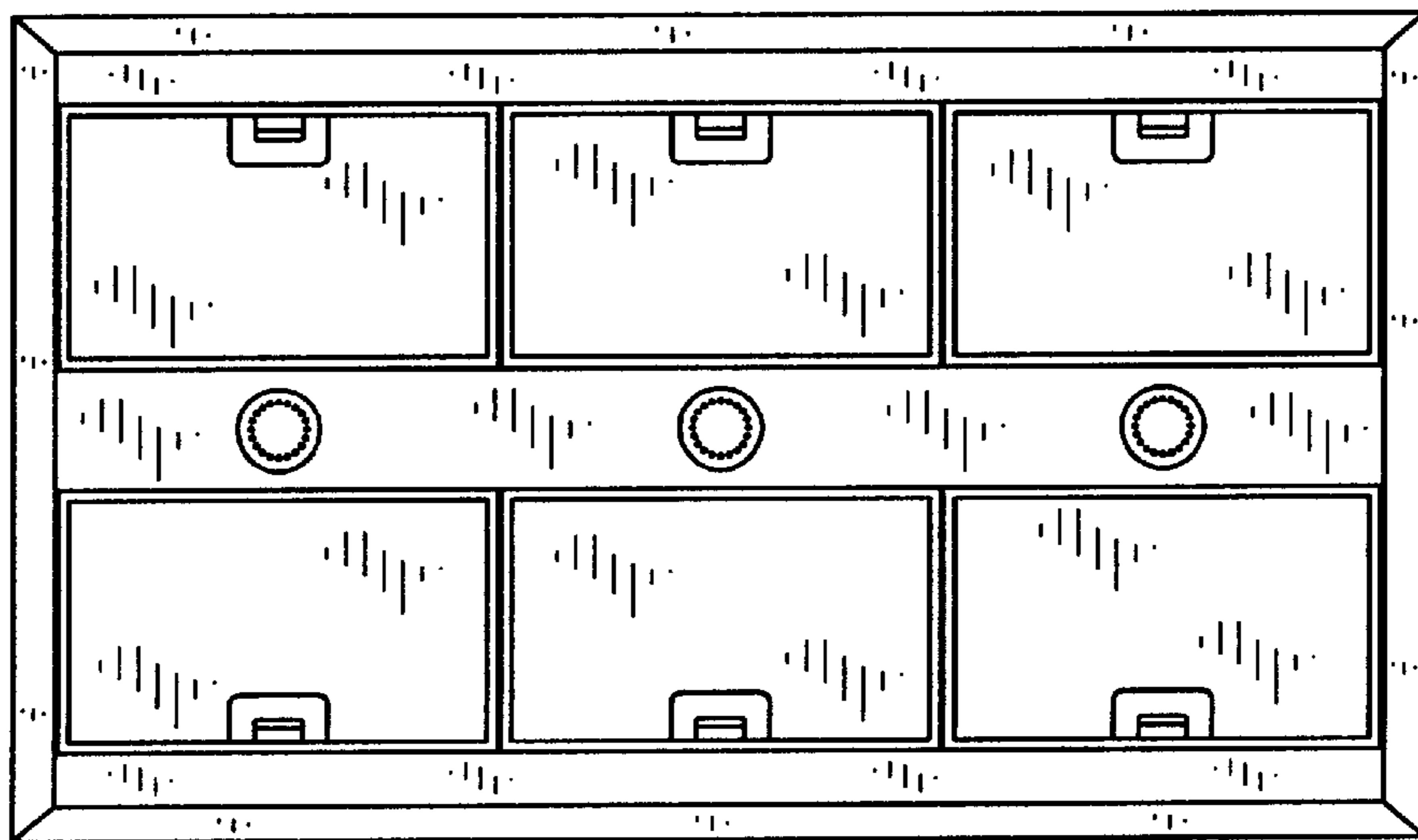


FIG. 7