



US00D490884S

(12) **United States Design Patent**
Warren

(10) **Patent No.:** **US D490,884 S**

(45) **Date of Patent:** **** Jun. 1, 2004**

(54) **STOVE OR HEATER**

D277,129 S * 1/1985 Larson et al. D23/350
D294,386 S * 2/1988 Tonks D23/342

(75) Inventor: **Paul Michael Warren**, Wooburn Green (GB)

* cited by examiner

(73) Assignee: **Bitech Engineering**, Dunteer (IE)

Primary Examiner—B. J. Bullock

(**) Term: **14 Years**

(74) *Attorney, Agent, or Firm*—Knobbe, Martens, Olson & Bear, LLP

(21) Appl. No.: **29/154,960**

(57) **CLAIM**

(22) Filed: **Jan. 23, 2002**

The ornamental design for a stove or heater, as shown and described.

(30) **Foreign Application Priority Data**

DESCRIPTION

Jul. 23, 2001 (GB) 2103379

(51) **LOC (7) Cl.** **23-03**

(52) **U.S. Cl.** **D23/350; D23/343**

(58) **Field of Search** D23/317, 342,
D23/343, 350; 126/519, 548, 500, 544,
551, 554, 547

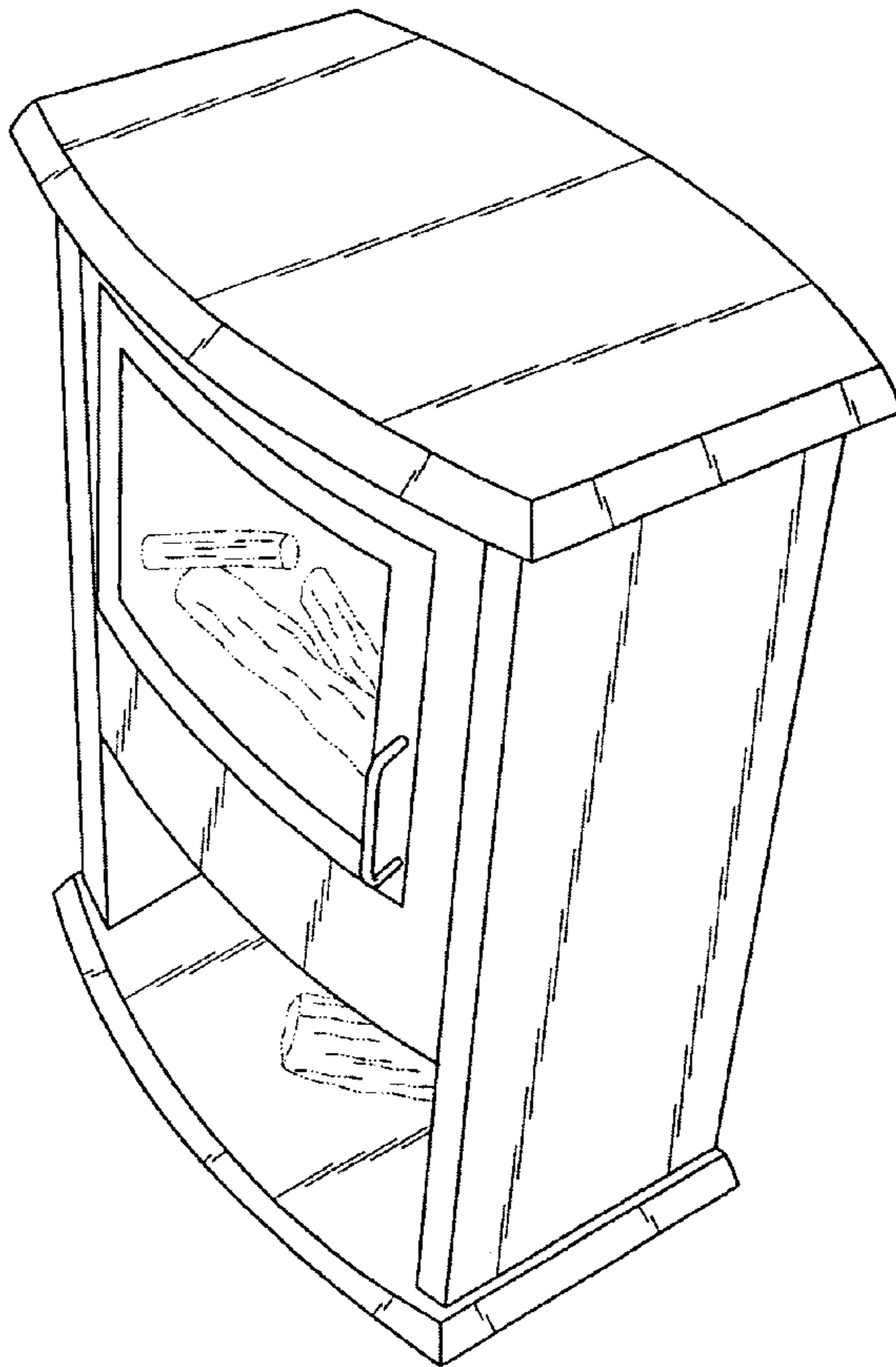
FIG. 1 is a perspective view showing the stove or heater embodying the new design;
FIG. 2 is a perspective view showing the stove or heater embodying the new design;
FIG. 3 is a front elevational view thereof;
FIG. 4 is a rear elevational view thereof;
FIG. 5 is a top plan view thereof;
FIG. 6 is a bottom plan view thereof;
FIG. 7 is a side elevational view thereof; and,
FIG. 8 is a side elevational view thereof.
The broken lines are for illustrative purposes only and form no part of the claimed design.

(56) **References Cited**

U.S. PATENT DOCUMENTS

D249,544 S * 9/1978 Bonney D23/343
D263,493 S * 3/1982 Russo D23/343
D265,120 S * 6/1982 Henriques D23/343
D274,459 S * 6/1984 Fellows D23/350

1 Claim, 5 Drawing Sheets



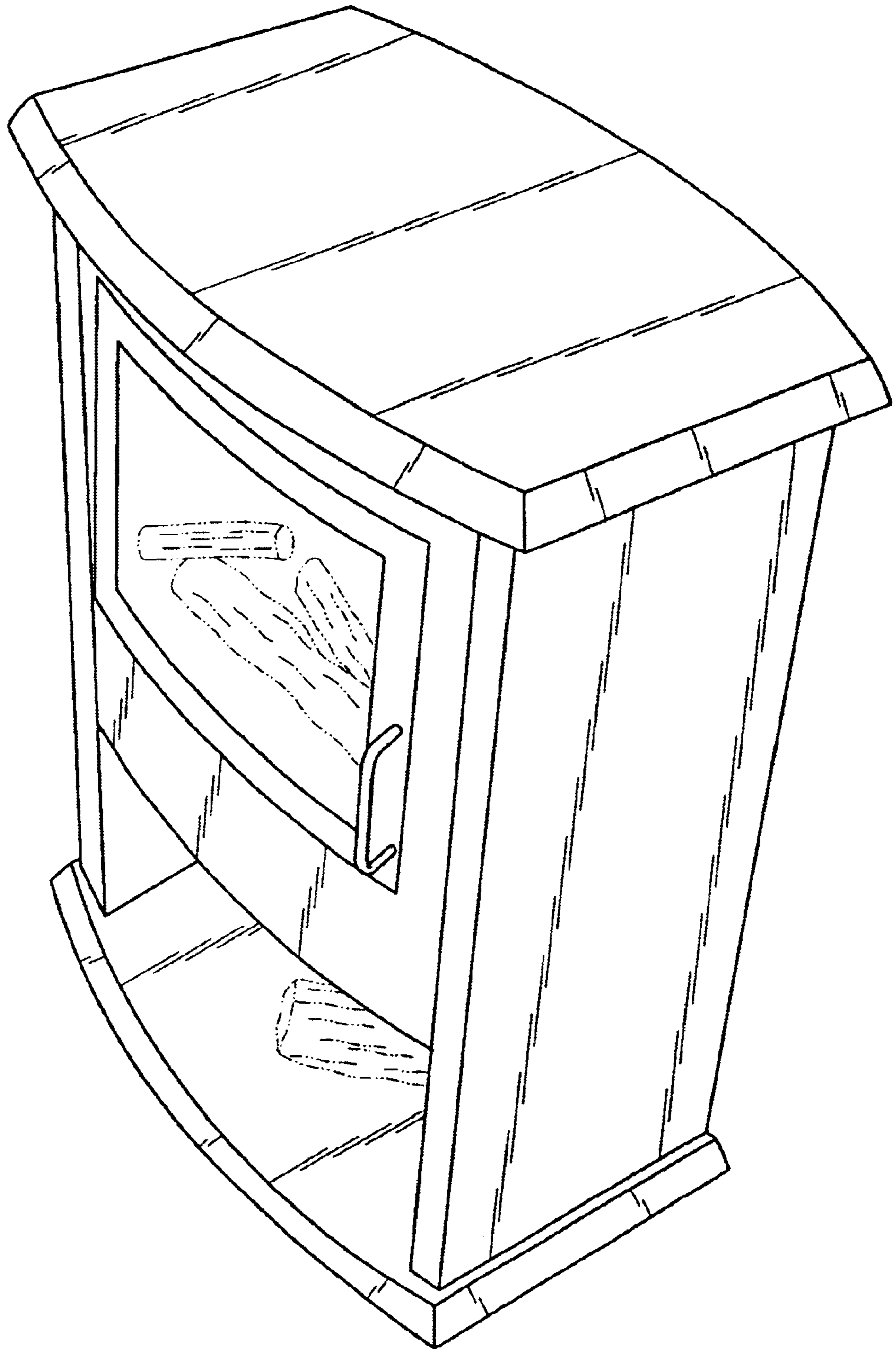


FIG. 1

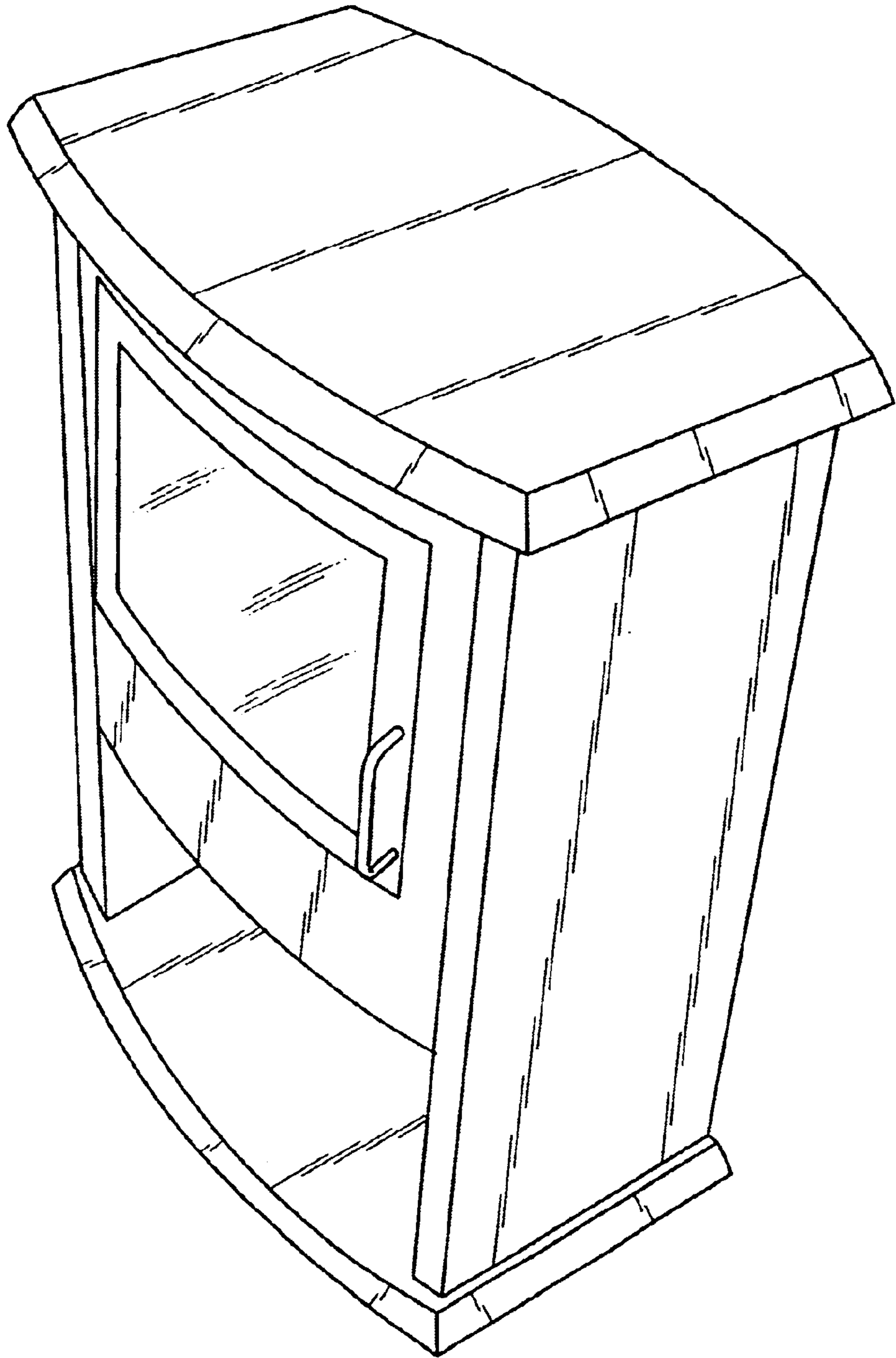


FIG. 2

FIG. 4

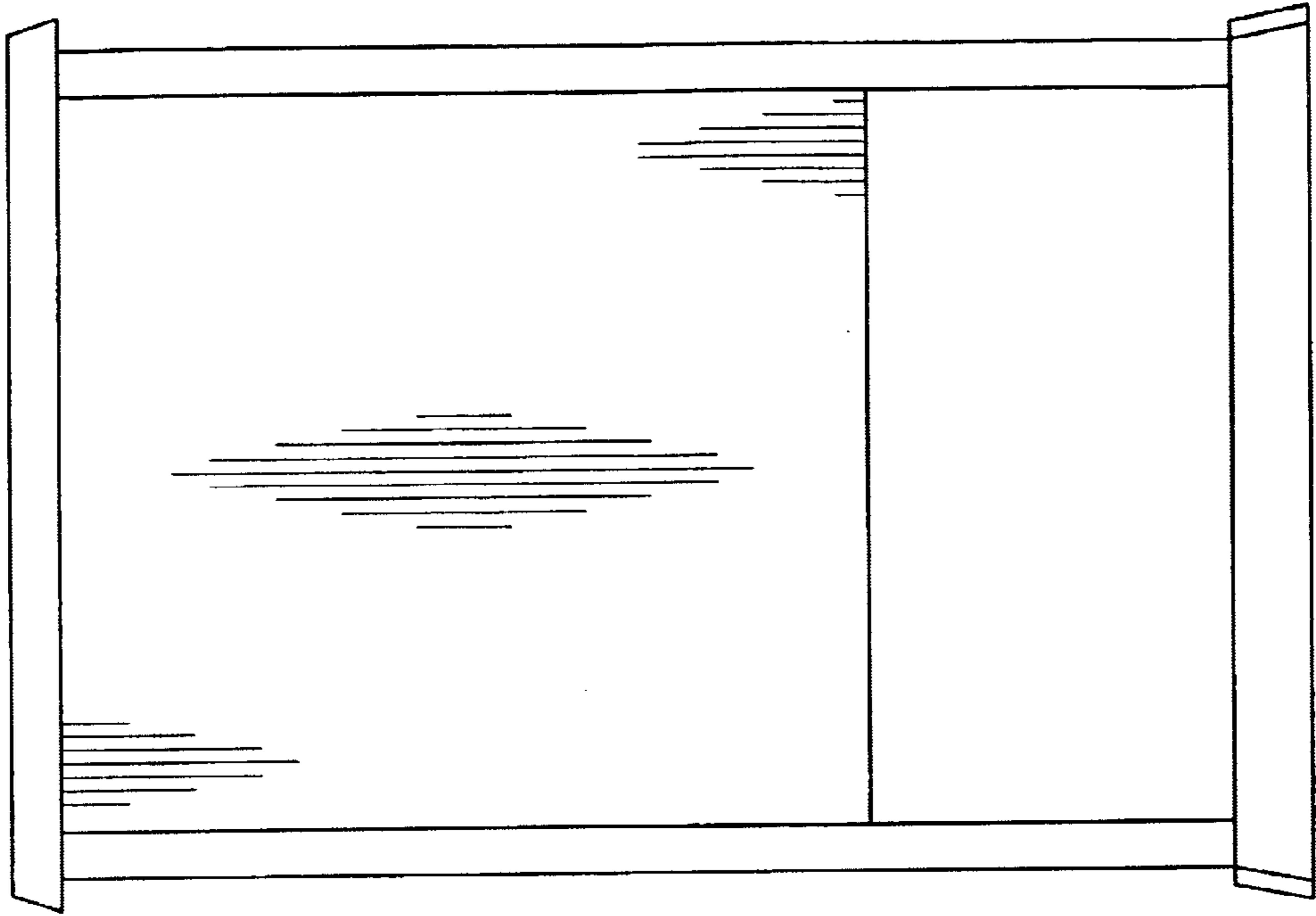
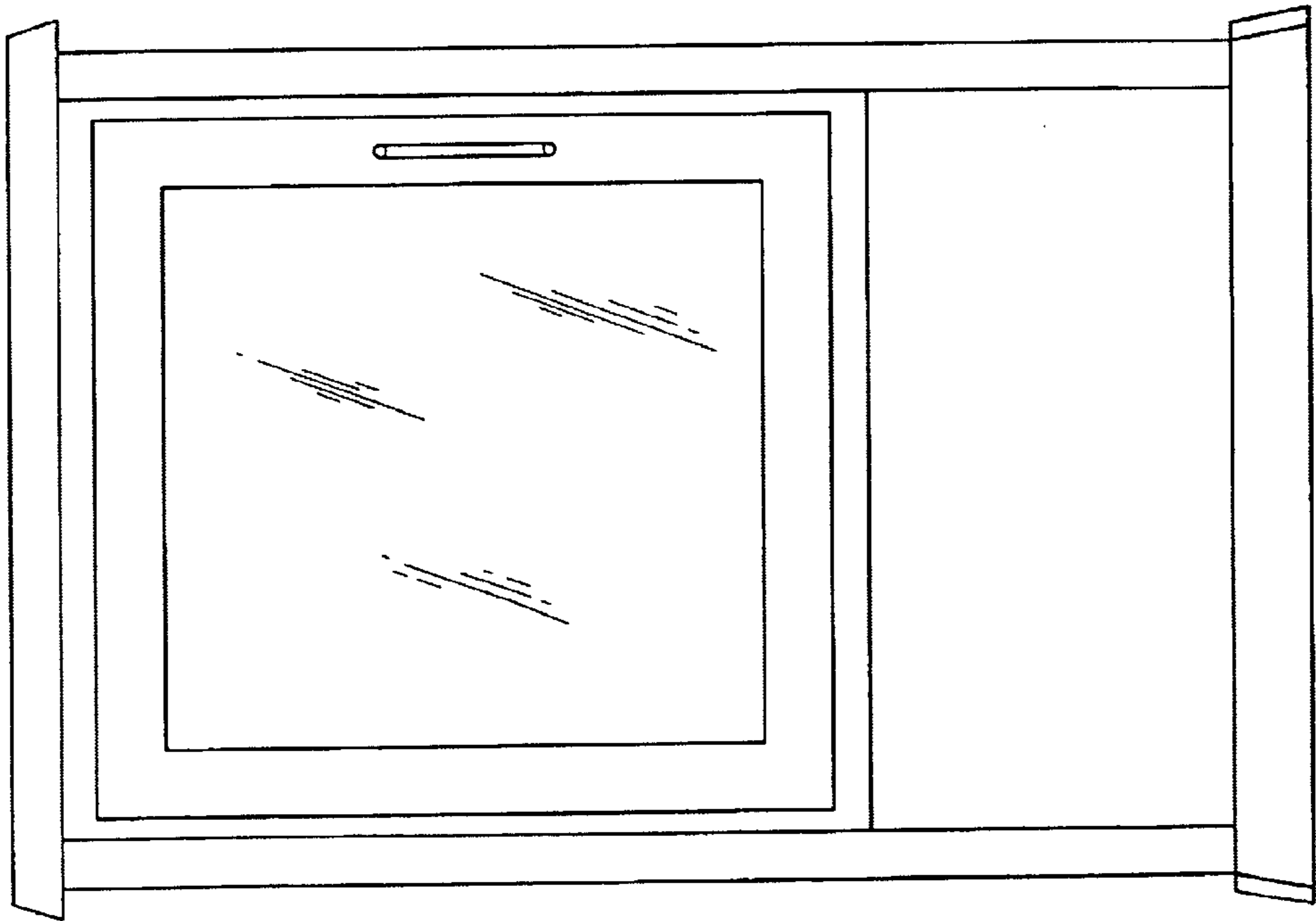


FIG. 3



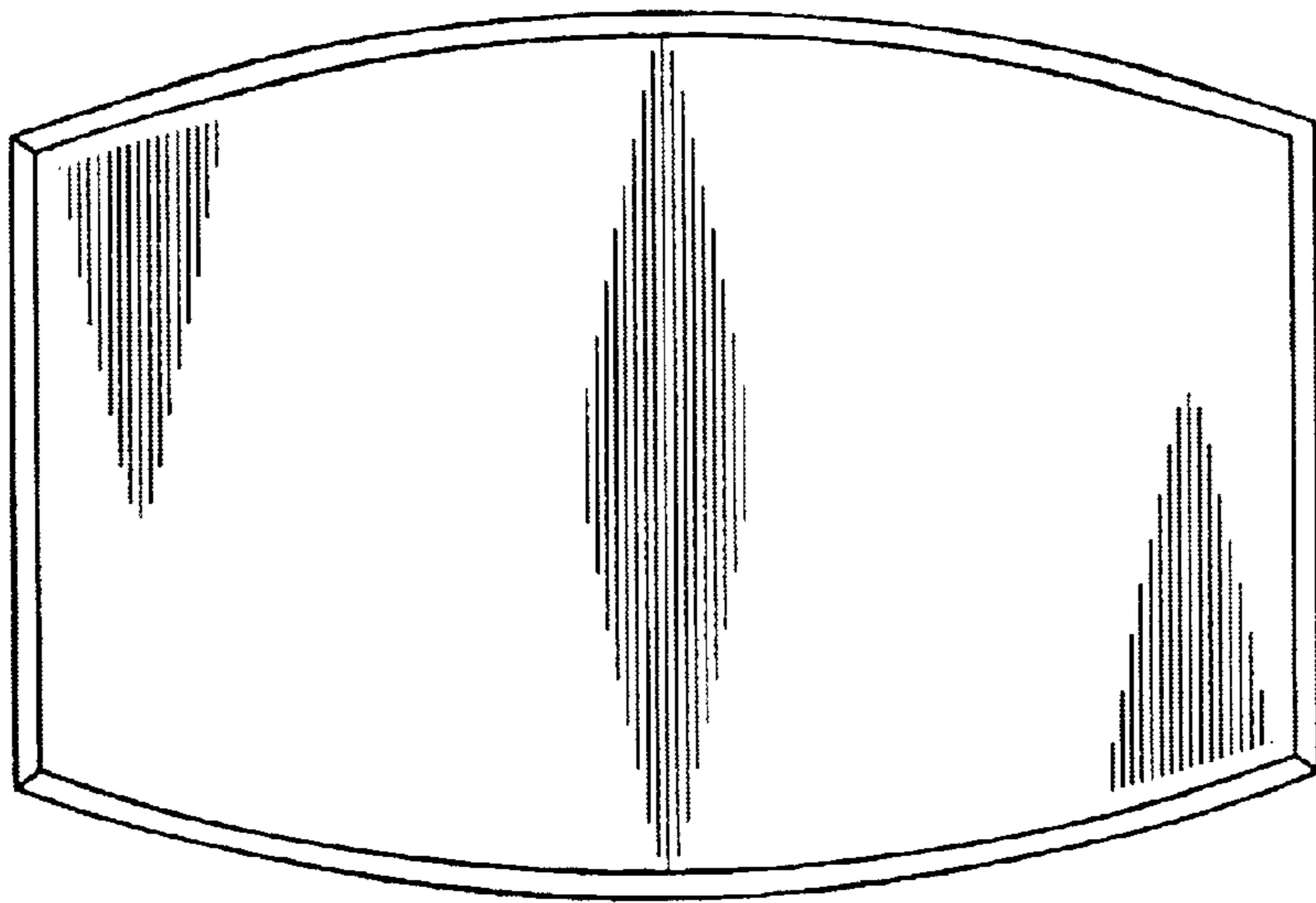


FIG. 5

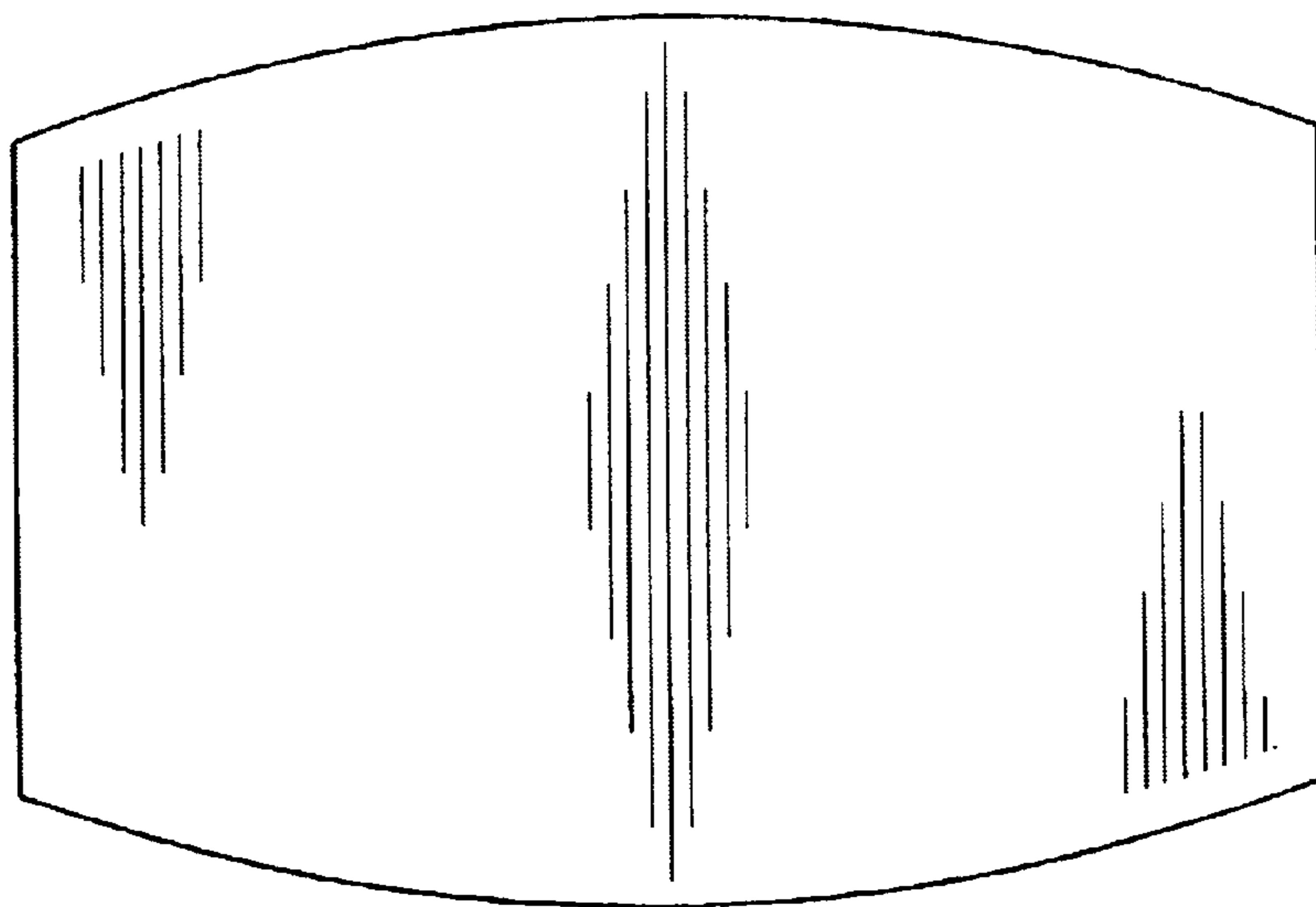


FIG. 6

