



US00D490883S

(12) **United States Design Patent**
DePriest

(10) **Patent No.:** **US D490,883 S**

(45) **Date of Patent:** **** Jun. 1, 2004**

(54) **TOILET FLUSH SYSTEM**

(76) **Inventor:** **Troy DePriest**, 1844 E. Rhea, Tempe, AZ (US) 85284

(**) **Term:** **14 Years**

(21) **Appl. No.:** **29/167,732**

(22) **Filed:** **Sep. 18, 2002**

(51) **LOC (7) Cl.** **23-02**

(52) **U.S. Cl.** **D23/309**

(58) **Field of Search** D23/271, 273-274, D23/295-301, 303, 309, 313, 252; 4/663-665, 667, 300, 353-354, 364-365; D8/308

(56) **References Cited**

U.S. PATENT DOCUMENTS

D284,500 S	*	7/1986	Bolgert et al.	D23/252
D296,353 S	*	6/1988	Reid	D23/252
D296,578 S	*	7/1988	Reid	D23/252
D297,356 S	*	8/1988	Reid	D23/252
D318,905 S	*	8/1991	Reid	D23/252
D356,630 S	*	3/1995	Chuang	D23/252

* cited by examiner

Primary Examiner—Louis S. Zarfaz

Assistant Examiner—Robert A. Delehanty

(74) *Attorney, Agent, or Firm*—Stoneman Law Offices, Ltd.; Martin L. Stoneman

(57) **CLAIM**

The ornamental design for a “toilet flush system”, as shown and described.

DESCRIPTION

FIG. 1 is a perspective view of a “toilet flush system”, showing my new design;

FIG. 2 is a front elevational view thereof;

FIG. 3 is a top plan view thereof;

FIG. 4 is a rear elevational view thereof;

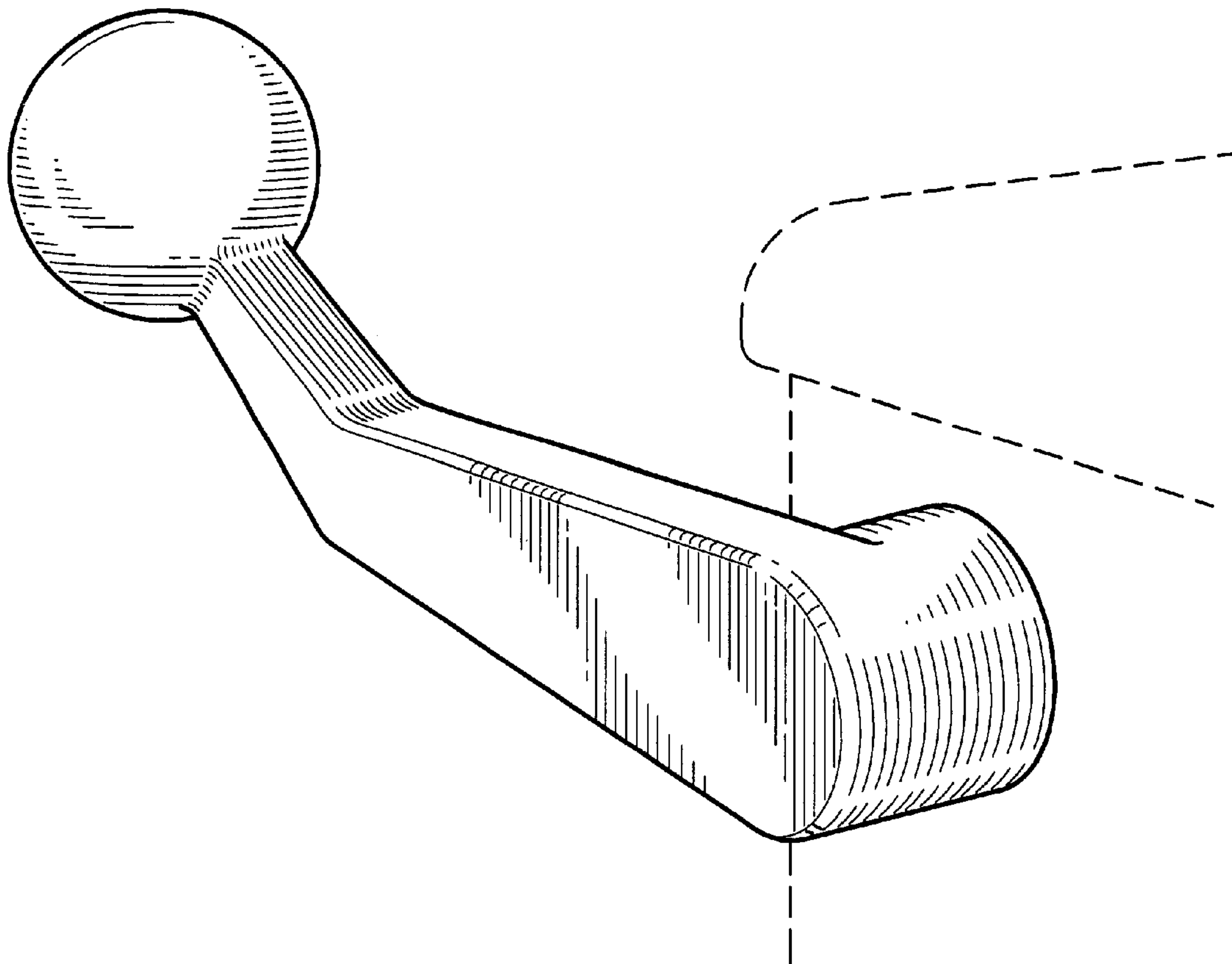
FIG. 5 is a bottom plan view thereof;

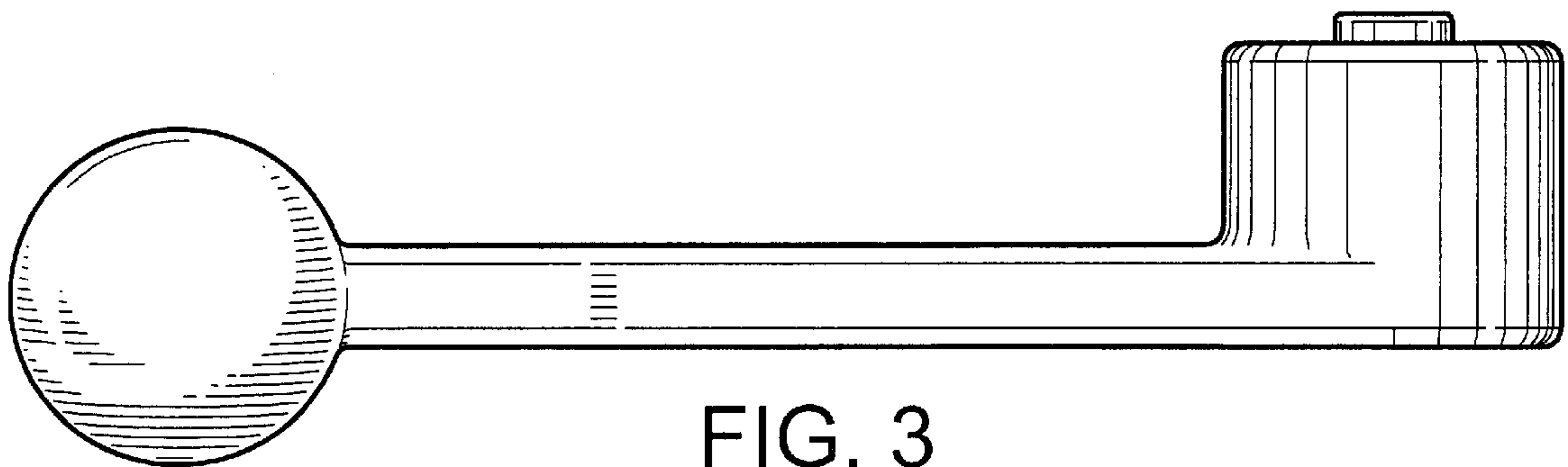
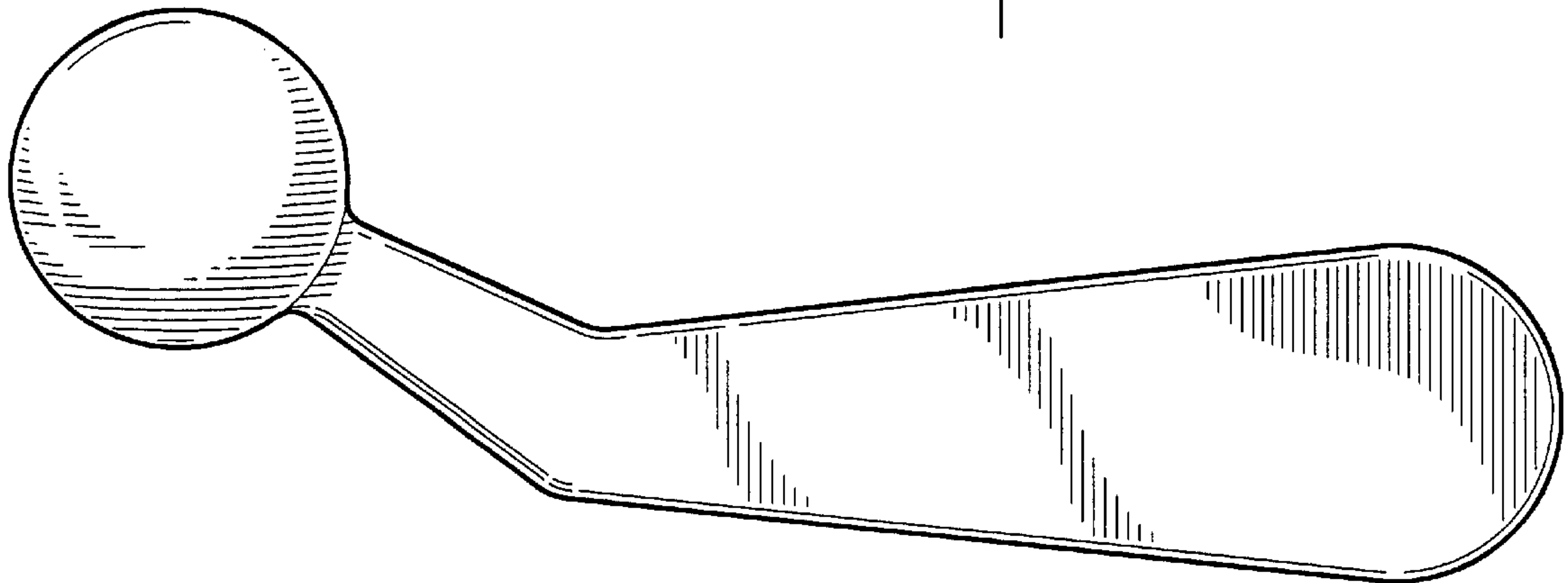
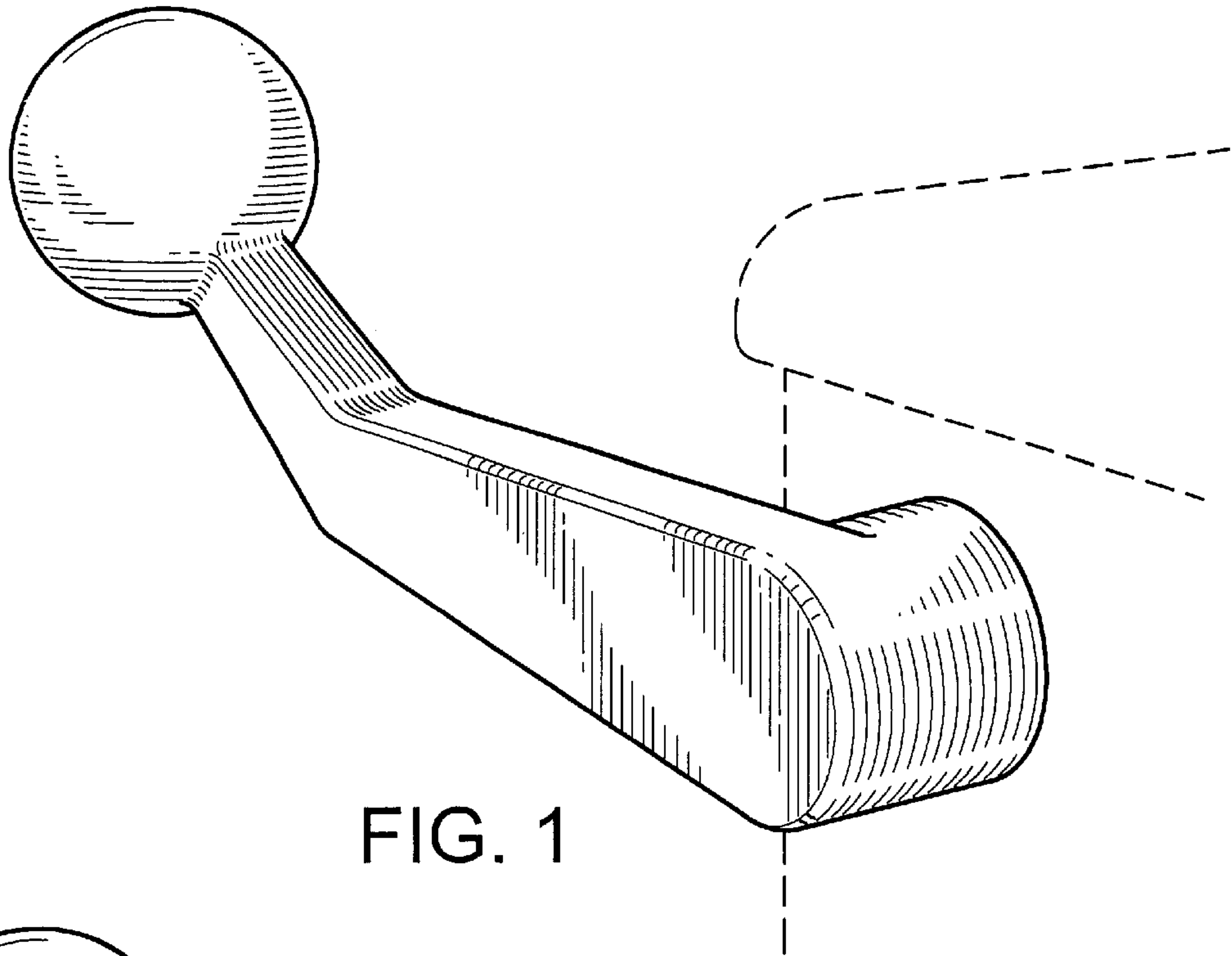
FIG. 6 is a right side elevational view thereof; and,

FIG. 7 is a left side elevational view thereof.

The broken line showing of a portion of a toilet tank is for illustrative purposes only and forms no part of the claimed design.

1 Claim, 2 Drawing Sheets





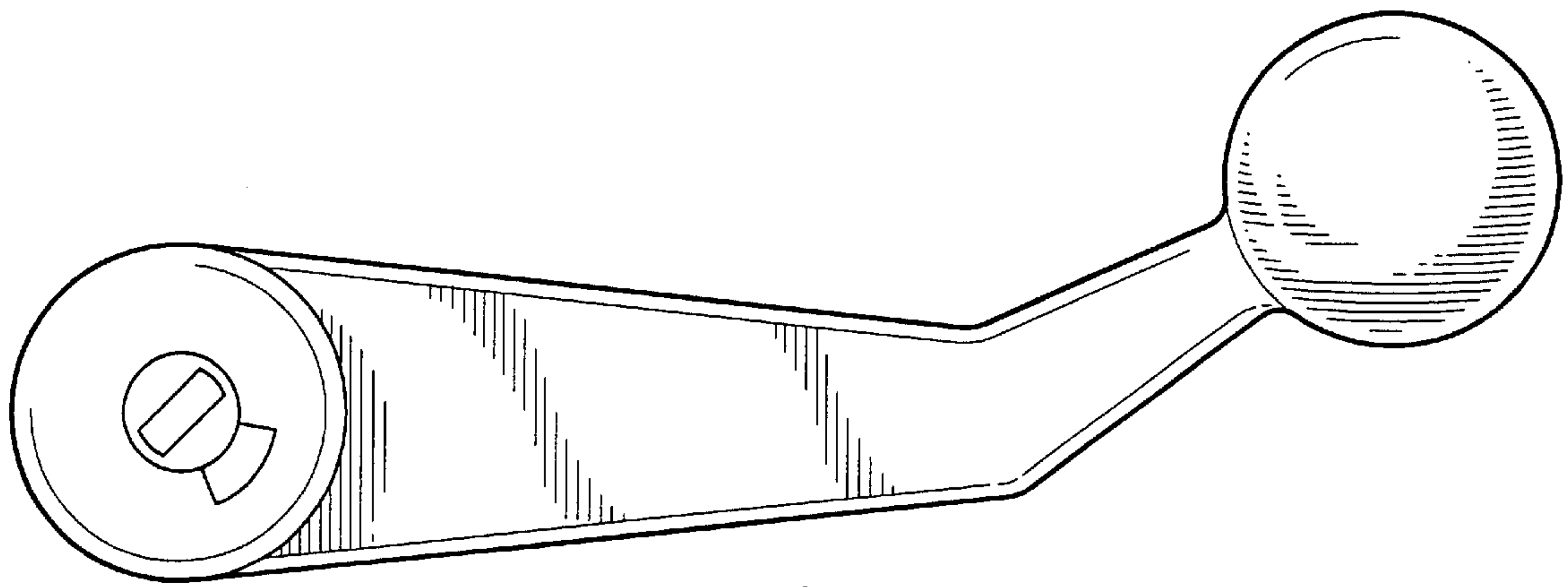


FIG. 4

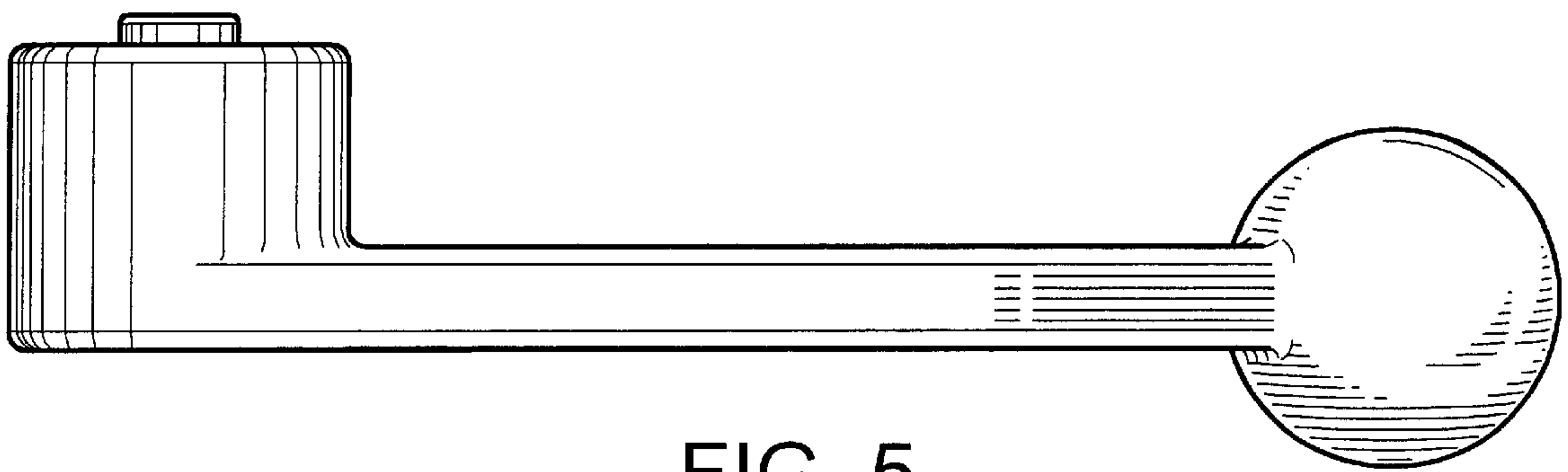


FIG. 5

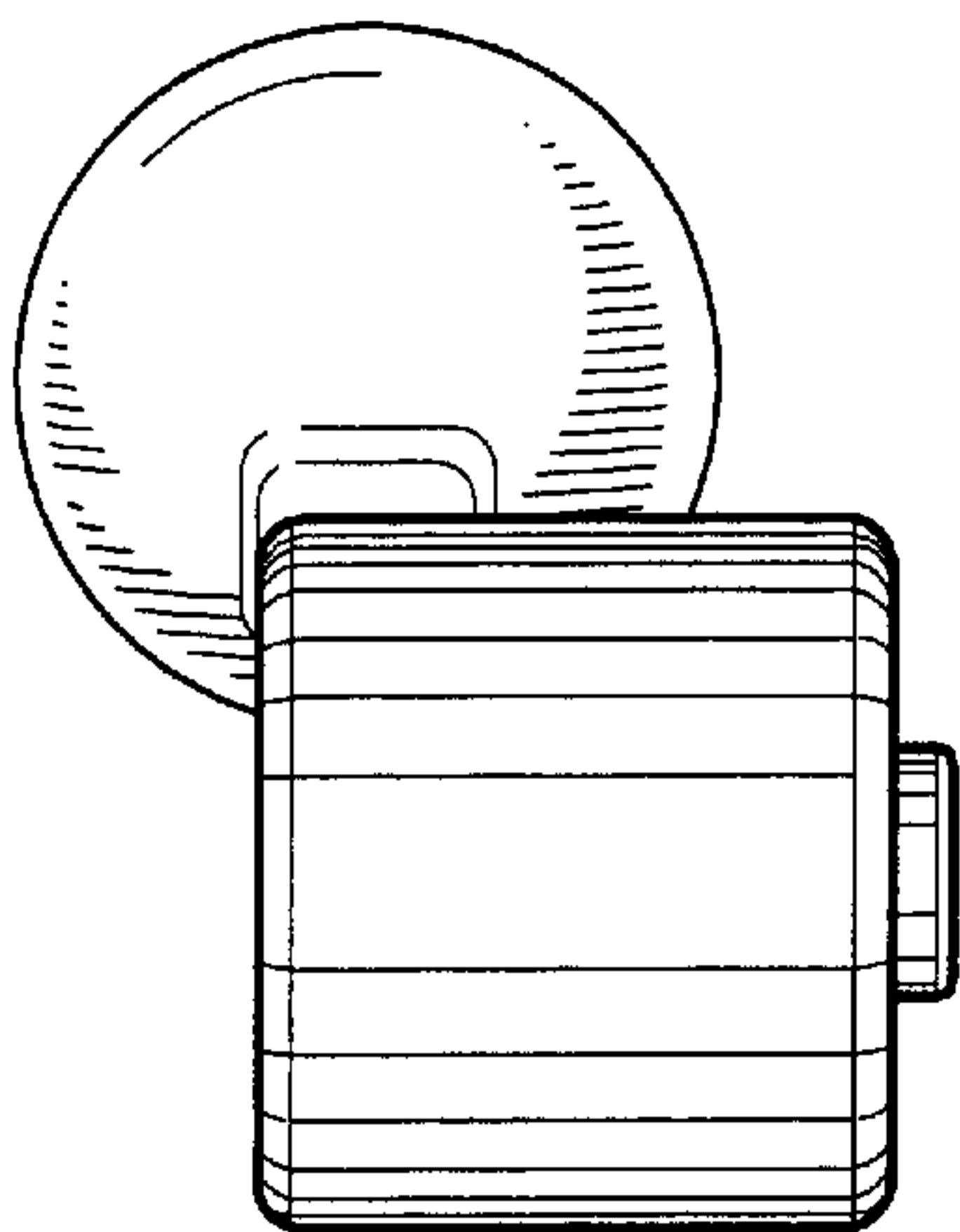


FIG. 6

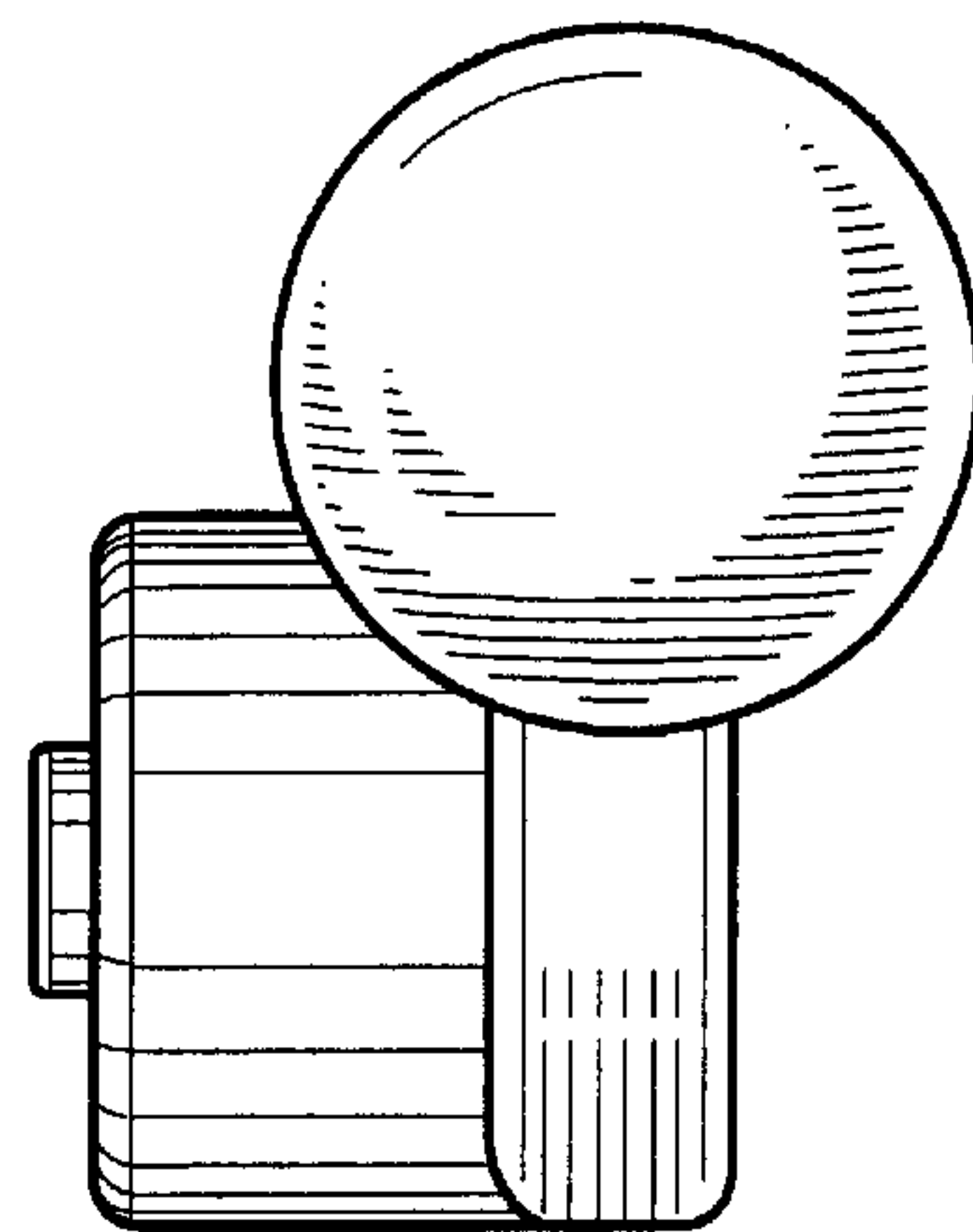


FIG. 7