



US00D490882S

(12) **United States Design Patent**  
**Shimizu**

(10) **Patent No.:** **US D490,882 S**

(45) **Date of Patent:** **\*\* \*Jun. 1, 2004**

(54) **BATHTUB**

(75) Inventor: **Hideo Shimizu**, Tokyo (JP)

(73) Assignee: **Cappelline Buono Inc.**, Tokyo (JP)

(\* ) Notice: This patent is subject to a terminal disclaimer.

(\*\*) Term: **14 Years**

(21) Appl. No.: **29/168,059**

(22) Filed: **Sep. 24, 2002**

(30) **Foreign Application Priority Data**

Apr. 4, 2002 (JP) ..... 2002-009044

(51) **LOC (7) Cl.** ..... **23-02**

(52) **U.S. Cl.** ..... **D23/280.2**

(58) **Field of Search** ..... D23/273, 275,  
D23/276, 277, 278, 279, 280.1, 280.2, 280.3,  
303, 304, 305; D24/204, 205; 4/538, 546-548,  
551, 555-557, 559, 571.1-579, 584-586,  
589, 593, 661

(56) **References Cited**

**U.S. PATENT DOCUMENTS**

D17,902 S	11/1887	Torrance	
1,223,230 A	4/1917	Anderson	
1,247,112 A	11/1917	Holmberg et al.	
2,604,579 A	7/1952	Deneboudes	240/2
D192,955 S	6/1962	Moore	D4/4
3,585,991 A	6/1971	Balamuth	128/66
3,788,306 A	1/1974	Eberhard	128/66
4,142,337 A	3/1979	Holcomb	52/169.7
4,364,132 A	12/1982	Robinson	4/546
4,535,489 A	8/1985	Elkins	4/546
D286,233 S	10/1986	Schreiner	D6/397
D288,507 S	3/1987	Evans	D6/384
4,672,898 A	6/1987	Davidson	108/6
4,875,958 A	10/1989	Kurokawa	156/108
D310,311 S	9/1990	Bergen et al.	D6/500

(List continued on next page.)

**OTHER PUBLICATIONS**

U.S. patent application Ser. No. 29/168,037, Shimizu, filed Sep. 24, 2002.

U.S. patent application Ser. No. 29/168,056, Shimizu, filed Sep. 24, 2002.

U.S. patent application Ser. No. 29/168,057, Shimizu, filed Sep. 24, 2002.

U.S. patent application Ser. No. 29/168,064, Shimizu, filed Sep. 24, 2002.

U.S. patent application Ser. No. 29/168,067, Shimizu, filed Sep. 24, 2002.

U.S. patent application Ser. No. 29/168,068, Shimizu, filed Sep. 24, 2002.

U.S. patent application Ser. No. 29/168,071, Shimizu, filed Sep. 24, 2002.

U.S. patent application Ser. No. 29/168,079, Shimizu, filed Sep. 24, 2002.

U.S. patent application Ser. No. 10/179,571, Shimizu, filed Jun. 24, 2002.

U.S. patent application Ser. No. 10/179,596, Shimizu, filed Jun. 24, 2002.

U.S. patent application Ser. No. 10/313,797, Shimizu, filed Dec. 6, 2002.

*Primary Examiner*—Louis S. Zarfes

*Assistant Examiner*—Robert A. Delehanty

(74) *Attorney, Agent, or Firm*—Ladas & Parry

(57) **CLAIM**

The ornamental design for “bathtub,” as shown.

**DESCRIPTION**

FIG. 1 is a front view showing the design of this invention;

FIG. 2 is a back view thereof;

FIG. 3 is a right side view thereof;

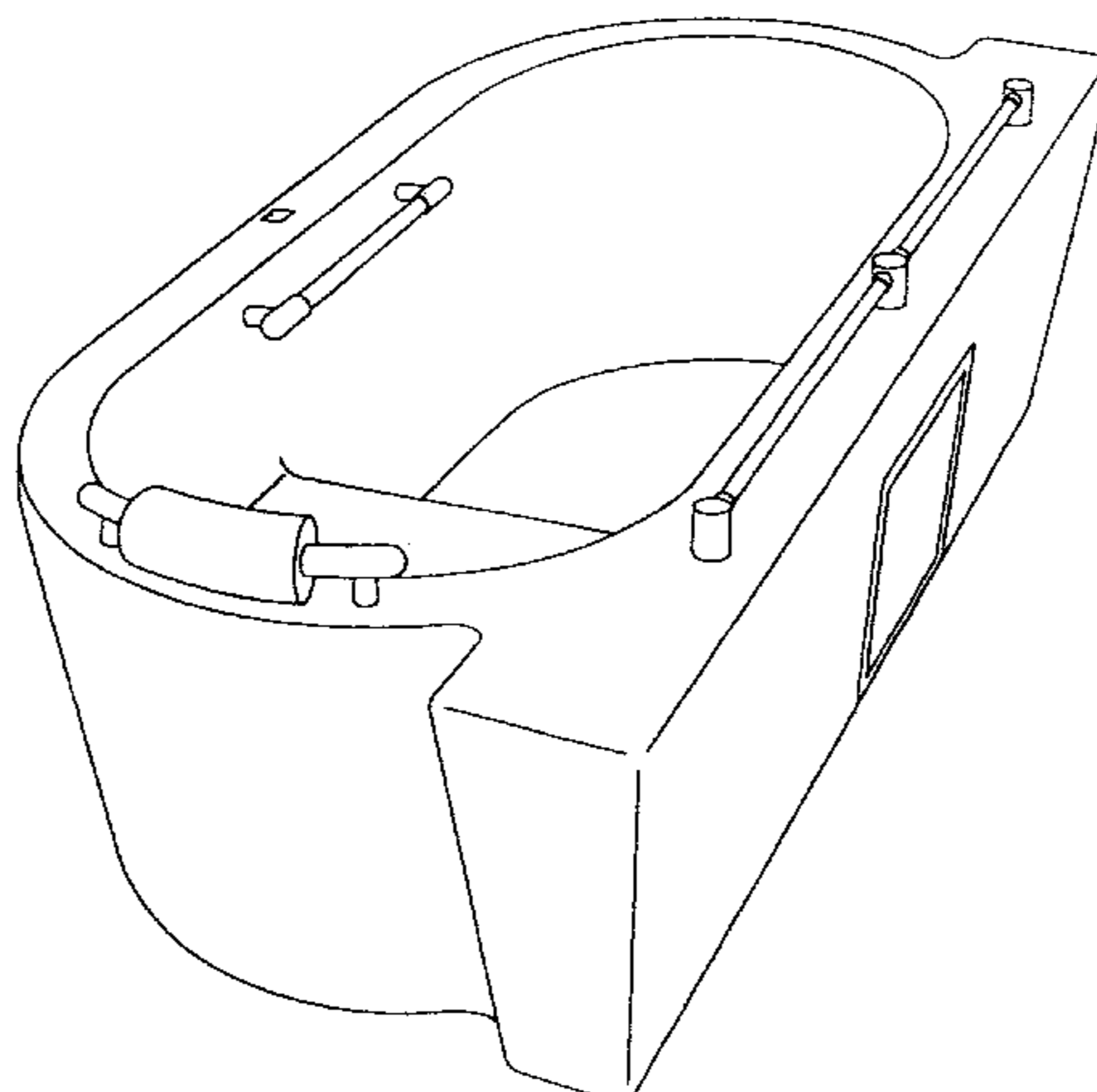
FIG. 4 is a left side view thereof;

FIG. 5 is a top view thereof;

FIG. 6 is a bottom view thereof; and,

FIG. 7 is a perspective view thereof.

**1 Claim, 4 Drawing Sheets**



# US D490,882 S

Page 2

---

## U.S. PATENT DOCUMENTS

4,974,808 A	12/1990	Ball	.....	248/917	D444,546 S	*	7/2001	Shimizu	.....	D23/277
D323,378 S	1/1992	Delepine	.....	D23/281	D448,834 S	*	10/2001	Shimizu	.....	D23/277
D324,148 S	2/1992	Dickman	.....	D6/511	D451,986 S		12/2001	Marshall et al.	.....	D23/280.1
D356,902 S	4/1995	Crowell	.....	D6/406	D453,207 S		1/2002	Pavlopoulos	.....	D23/277
D367,708 S	3/1996	Lawing et al.	.....	D24/204	D462,113 S		8/2002	Marshall et al.	.....	D23/280.1
D373,817 S	9/1996	Andronico	.....	D23/277	6,510,277 B1		1/2003	Dongo	.....	385/147
5,553,735 A	9/1996	Kimura	.....	220/469	D470,579 S	*	2/2003	Foster	.....	D23/280.1
5,604,940 A	2/1997	Shimizu	.....	4/541.1	D473,634 S	*	4/2003	Foster	.....	D23/277
D390,376 S	2/1998	Chang	.....	D6/424	D473,724 S		4/2003	De Wit	.....	D6/336
D412,973 S	8/1999	Donnelly	.....	D23/277	6,539,561 B2		4/2003	Shimizu	.....	4/559
D428,713 S	8/2000	Arko et al.	.....	D6/336						

\* cited by examiner

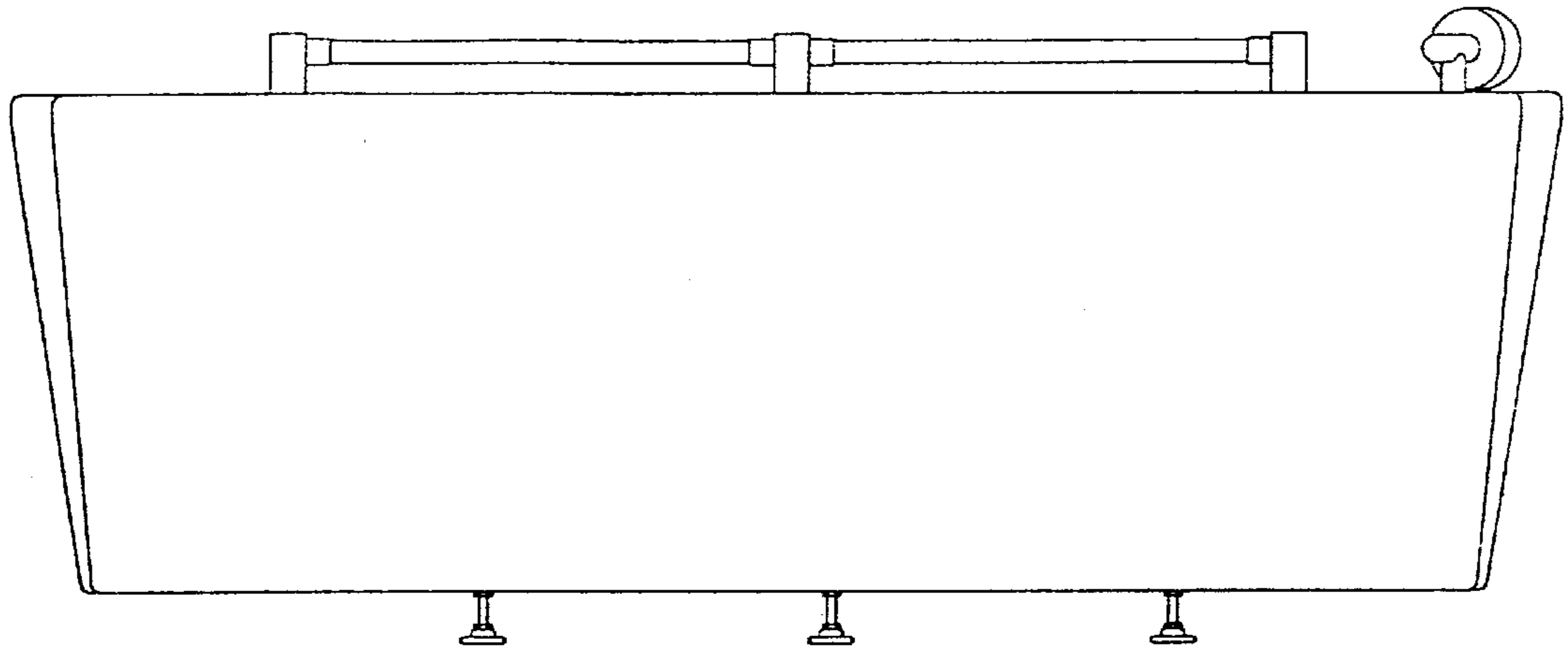


Fig. 1

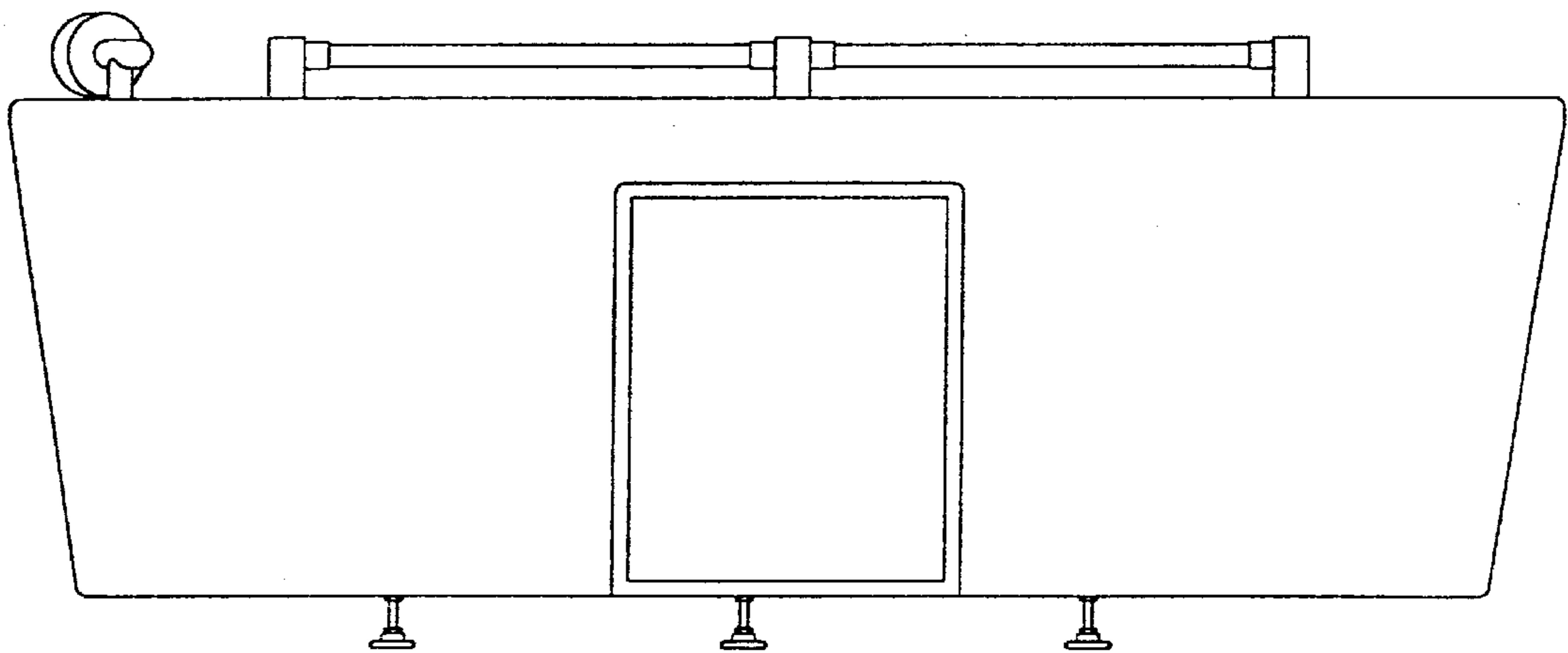


Fig. 2

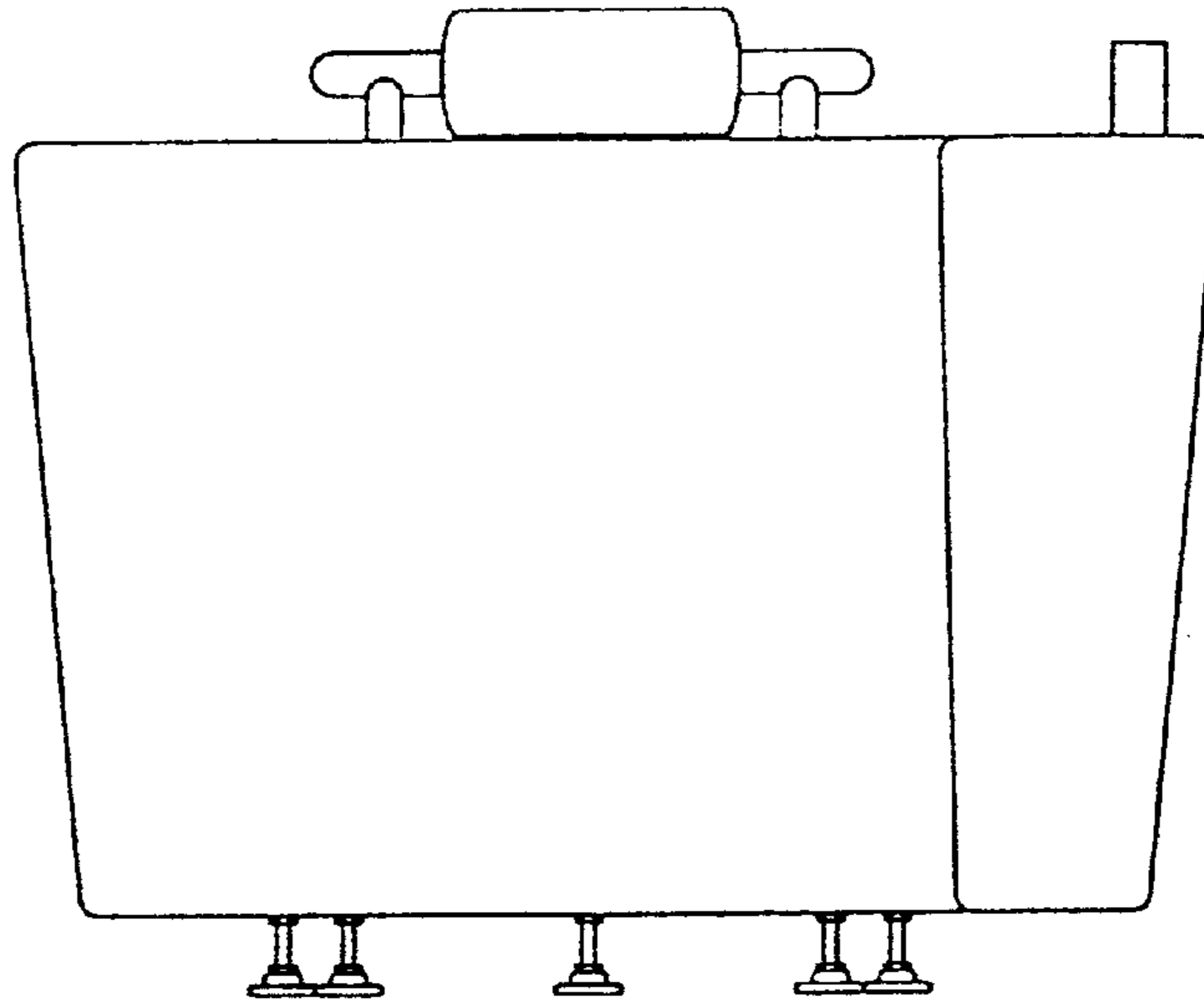


Fig. 3

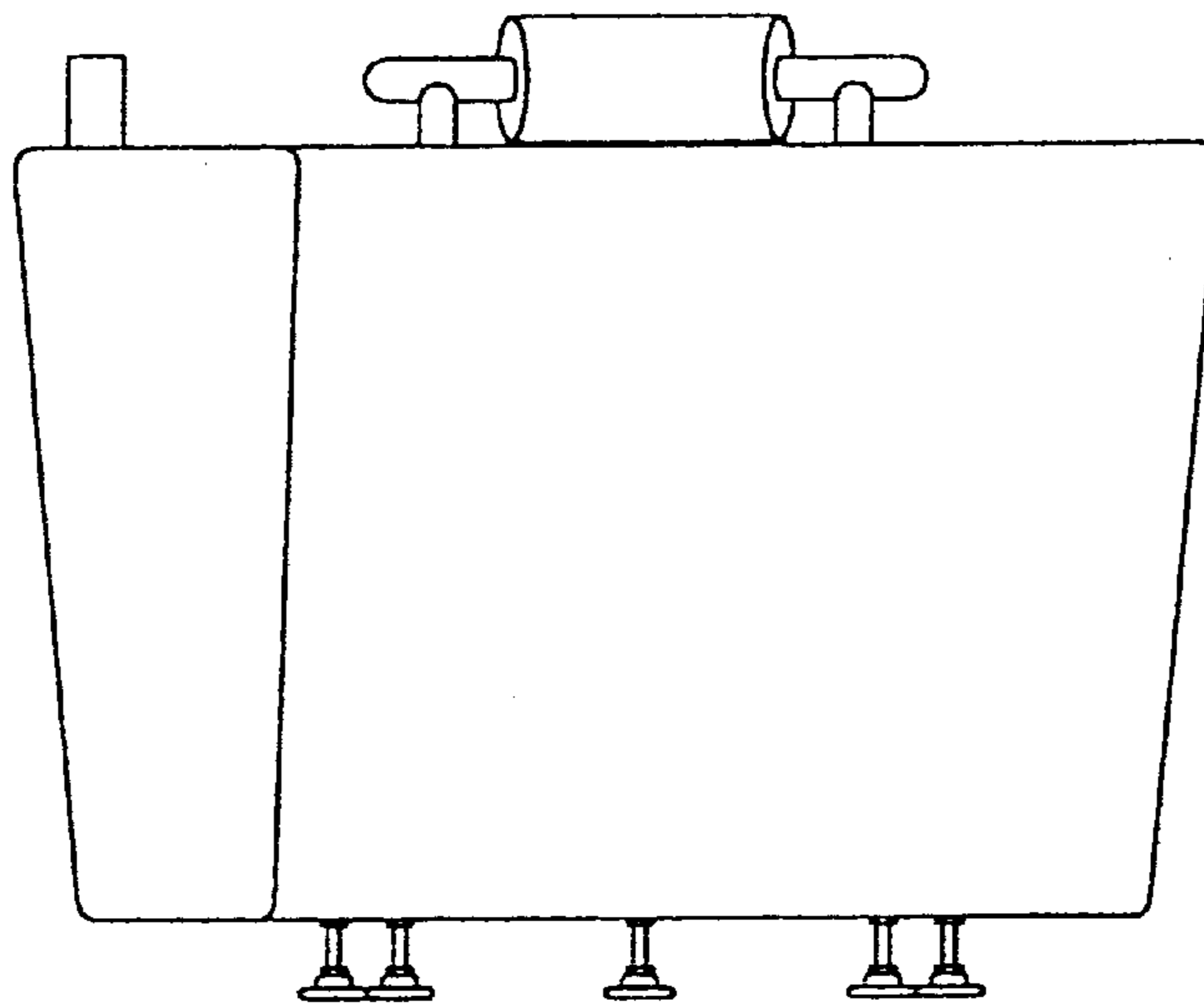


Fig. 4

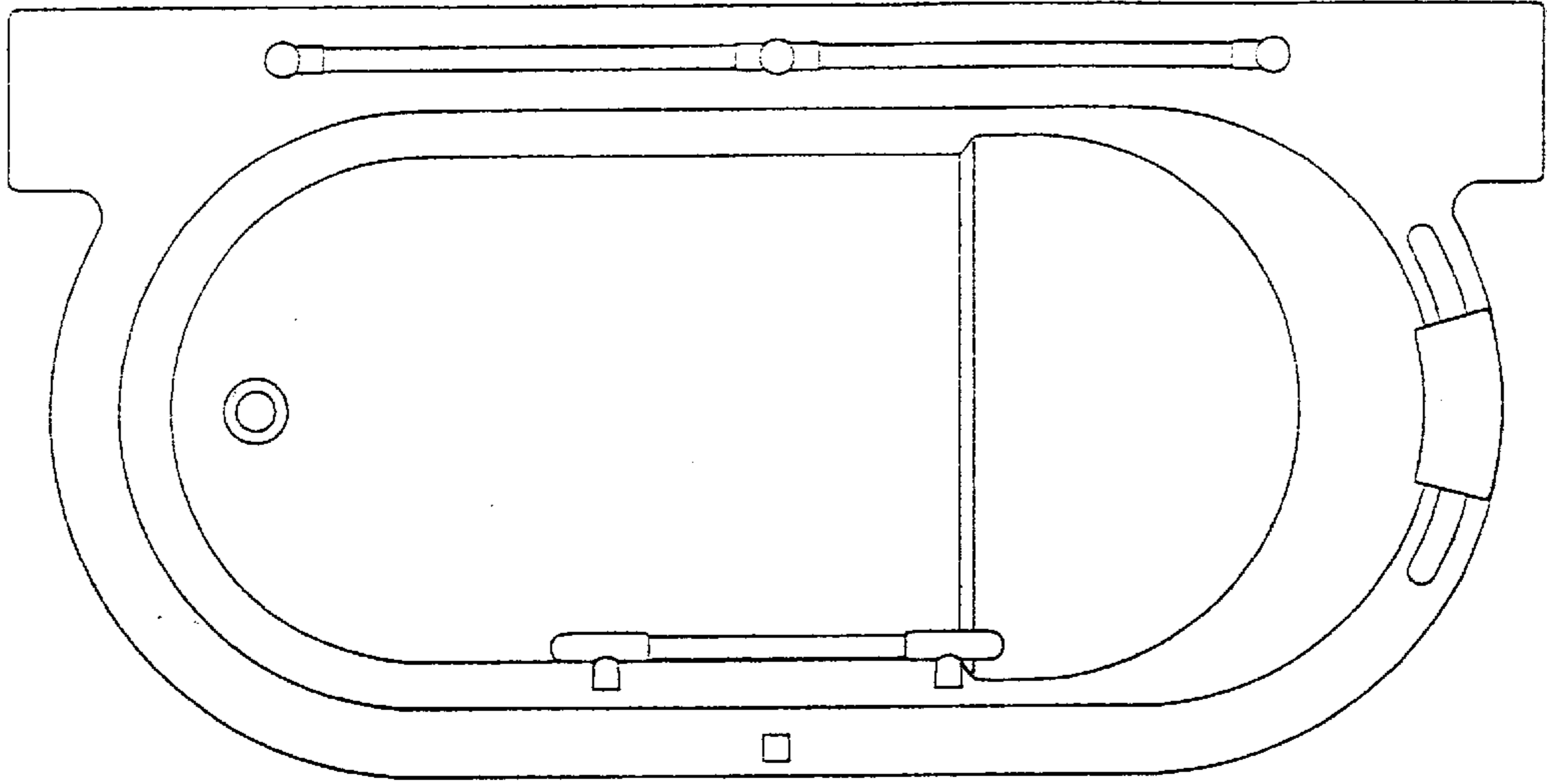


Fig. 5

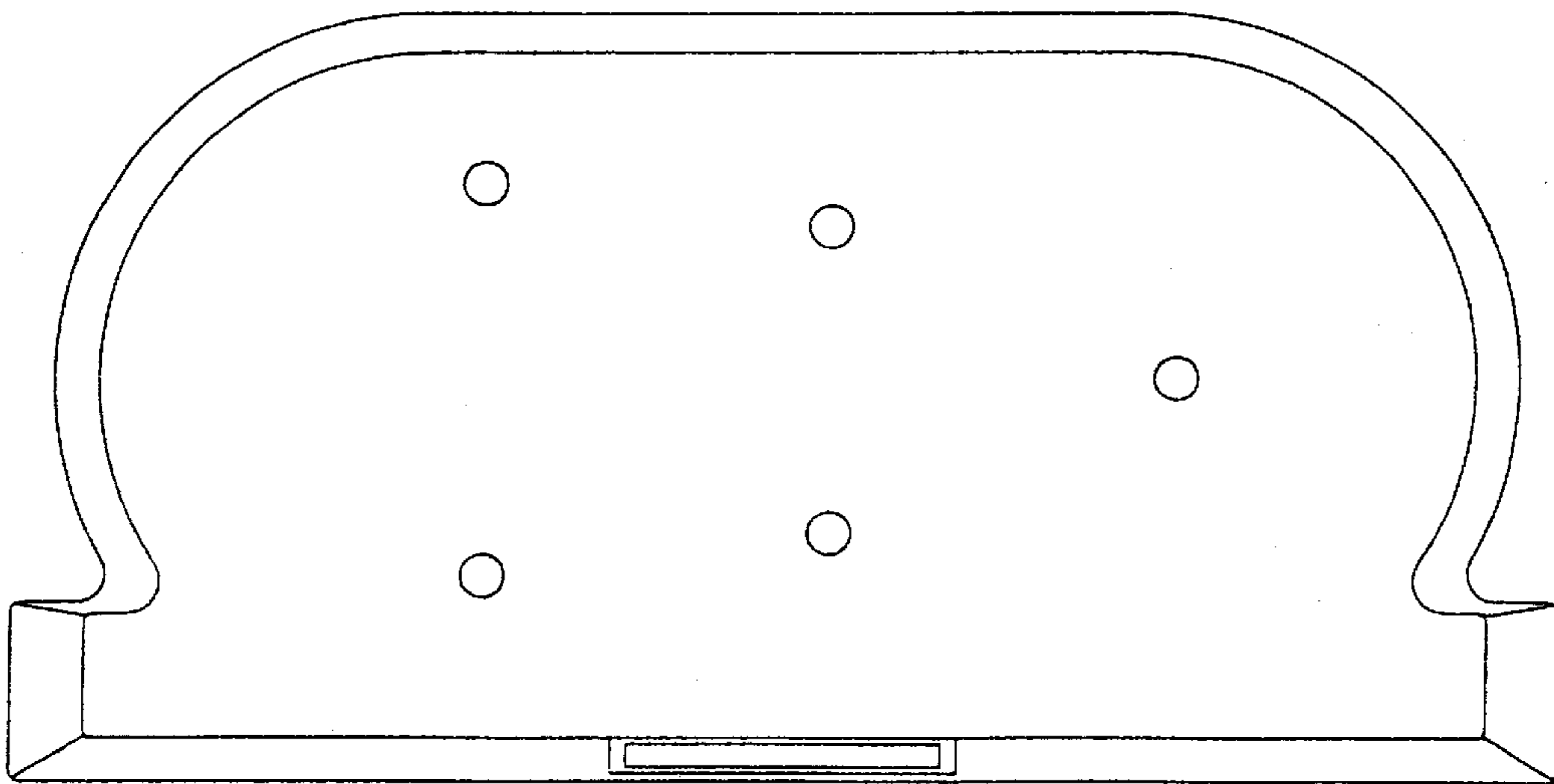
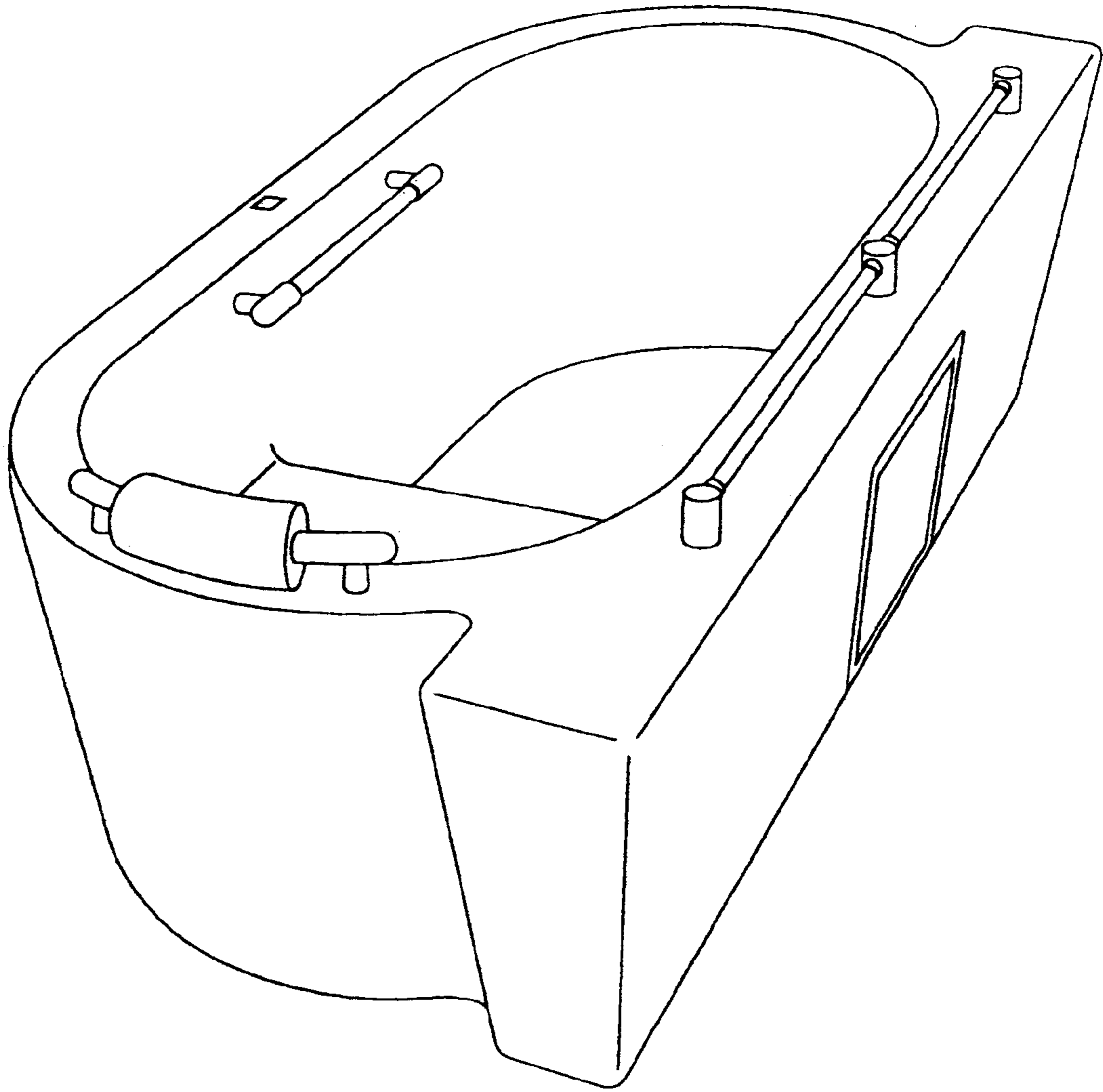


Fig. 6



**Fig. 7**