



US00D490881S

(12) **United States Design Patent**  
**Lin**

(10) **Patent No.:** **US D490,881 S**

(45) **Date of Patent:** **\*\* Jun. 1, 2004**

(54) **FAUCET SPOUT**

(75) **Inventor:** **Shih-Hung Lin**, Taichung (TW)

(73) **Assignee:** **Globe Union Industrial Corp.**,  
Taichung Export Processing Zone (TW)

(\*\*) **Term:** **14 Years**

(21) **Appl. No.:** **29/182,753**

(22) **Filed:** **Jun. 2, 2003**

(51) **LOC (7) Cl.** ..... **23-01**

(52) **U.S. Cl.** ..... **D23/257; D23/255**

(58) **Field of Search** ..... **D23/238-257;**  
**4/675-678; 137/801**

(56) **References Cited**

**U.S. PATENT DOCUMENTS**

D209,380 S	*	11/1967	DuBois	.....	D23/256
D211,343 S	*	6/1968	Jones	.....	D23/256
D293,601 S	*	1/1988	Hill et al.	.....	D23/255
D300,653 S	*	4/1989	Paul	.....	D23/255
D357,526 S	*	4/1995	Jans	.....	D23/257
D361,370 S	*	8/1995	Fabian	.....	D23/257
D373,620 S	*	9/1996	Doughty et al.	.....	D23/242
D404,467 S	*	1/1999	Doughty et al.	.....	D23/242

D416,608 S	*	11/1999	Warshawsky et al.	.....	D23/242
D421,789 S	*	3/2000	Delker et al.	.....	D23/255
D461,536 S	*	8/2002	Singtoroj	.....	D23/252
D461,542 S	*	8/2002	Shieh	.....	D23/257
D467,320 S	*	12/2002	Yegyayan	.....	D23/255
D485,331 S	*	1/2004	Lin	.....	D23/241

\* cited by examiner

*Primary Examiner*—Louis S. Zarfes

*Assistant Examiner*—G Andoll

(74) *Attorney, Agent, or Firm*—Leong C. Lei

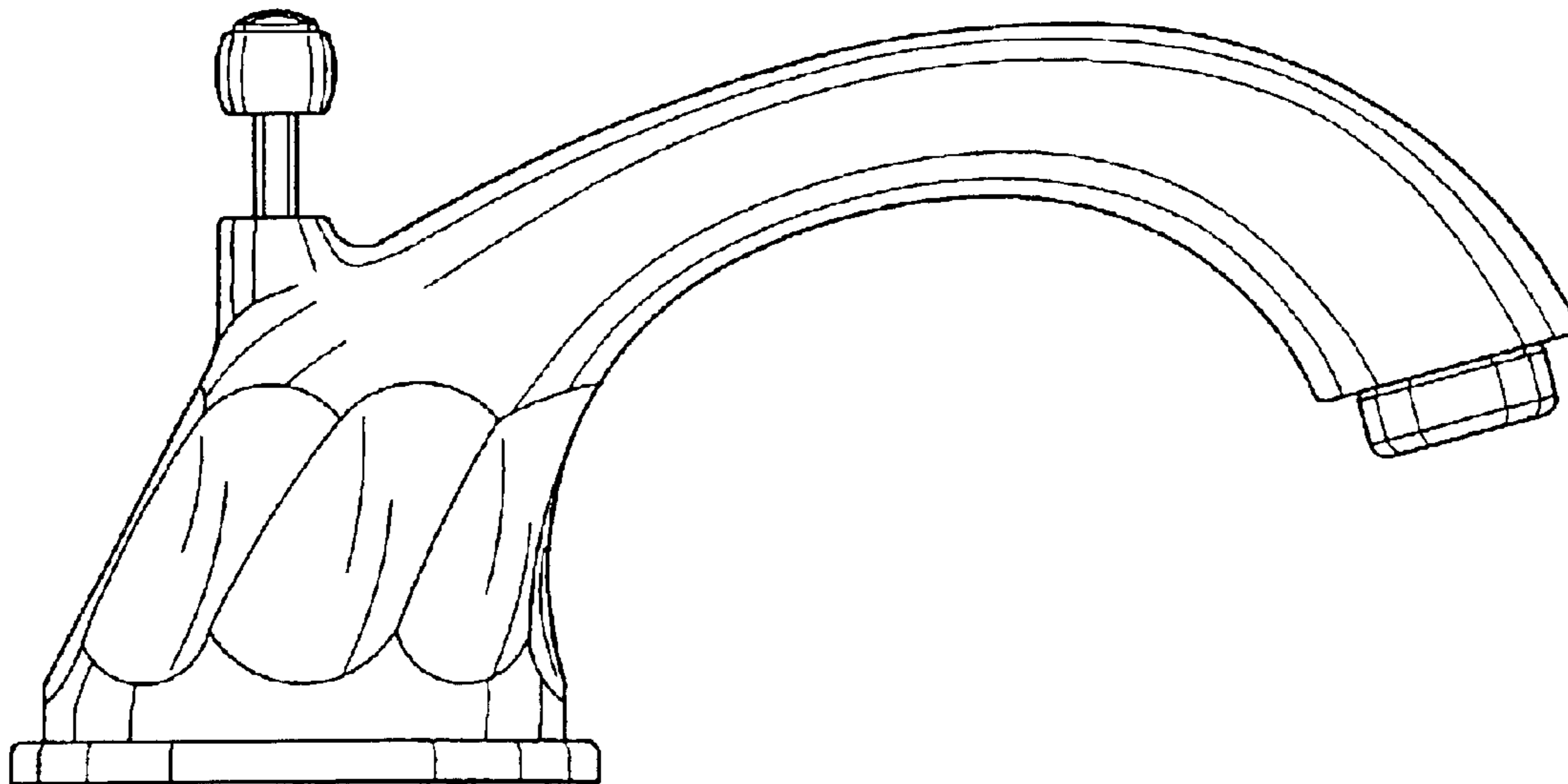
(57) **CLAIM**

The ornamental design for a faucet spout, as shown and described.

**DESCRIPTION**

FIG. 1 is perspective view of a faucet spout showing my new design;  
FIG. 2 is a front side elevation view thereof;  
FIG. 3 is a rear side elevation view thereof;  
FIG. 4 is a left side elevation view thereof;  
FIG. 5 is a right side elevation view thereof;  
FIG. 6 is a top plan view thereof; and,  
FIG. 7 is a bottom plan view thereof.

**1 Claim, 4 Drawing Sheets**



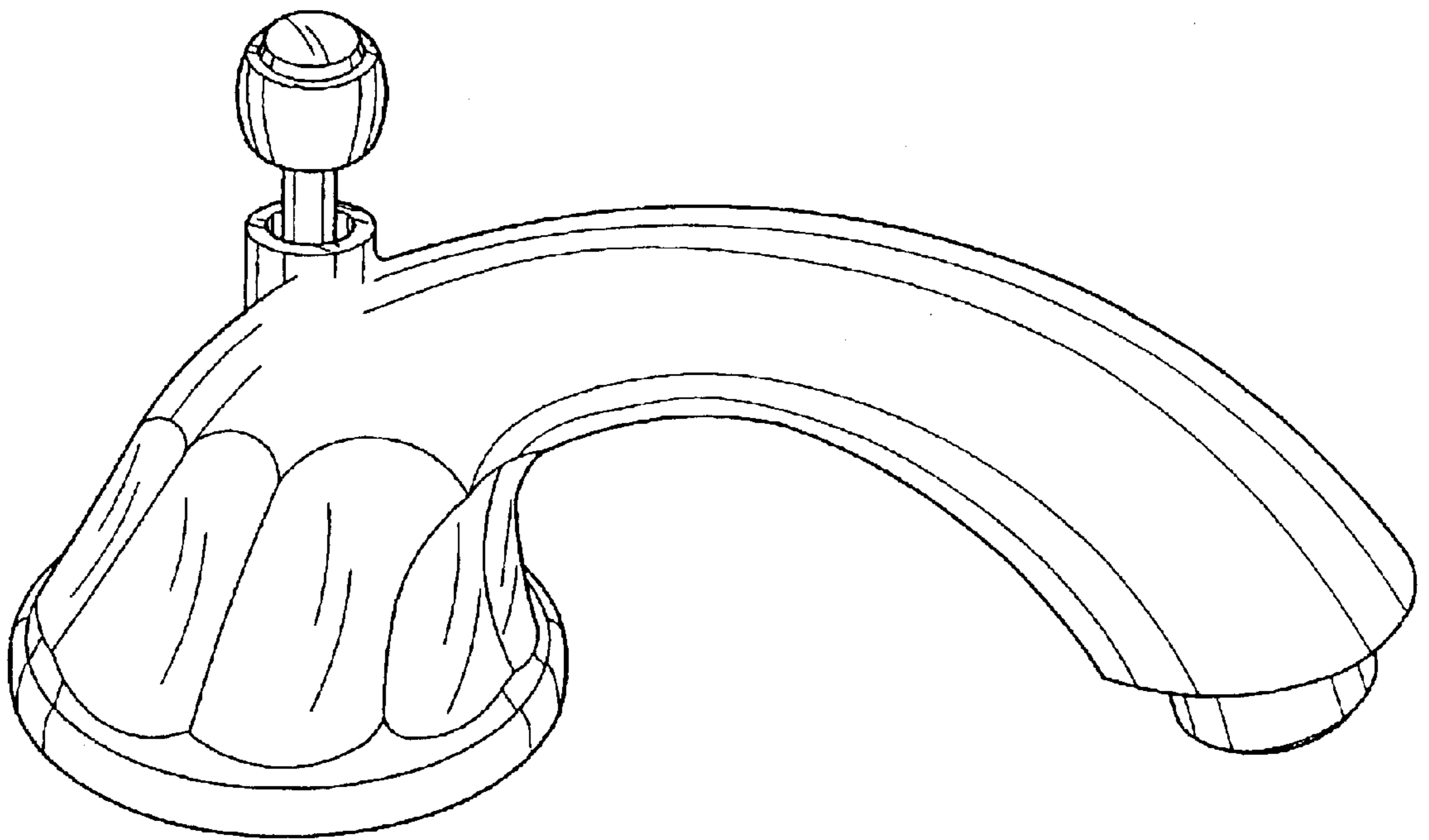


FIG. 1

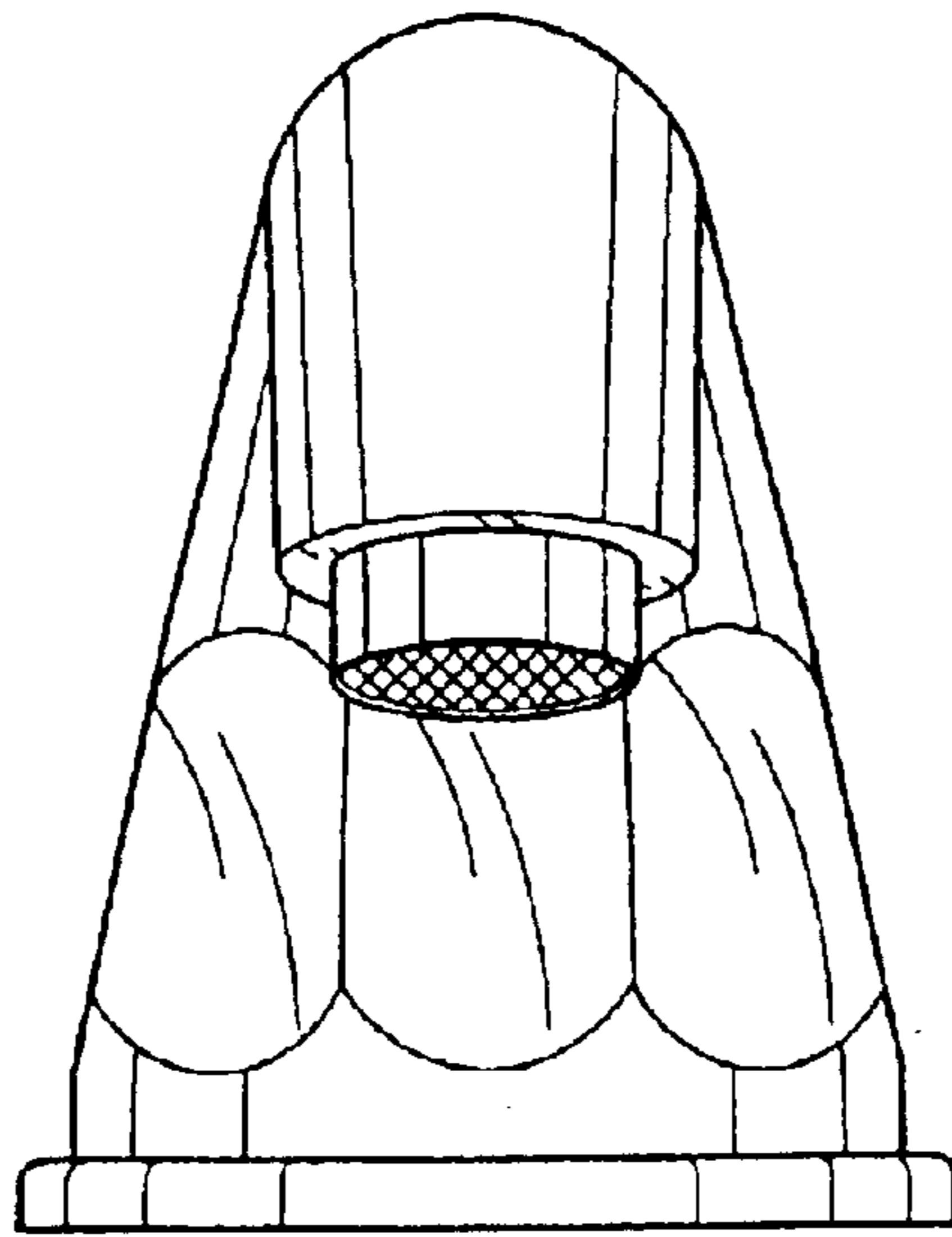


FIG. 2

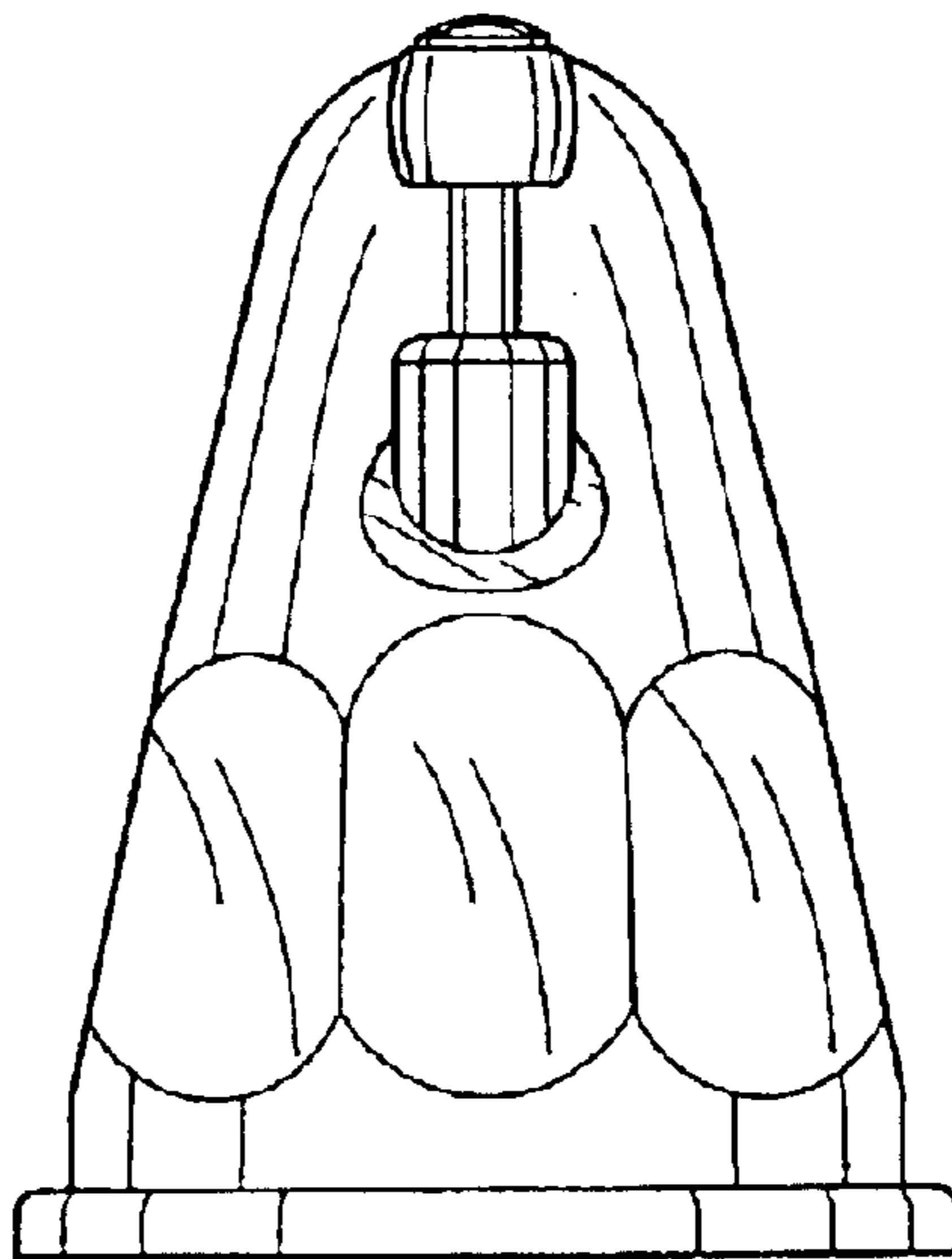


FIG. 3

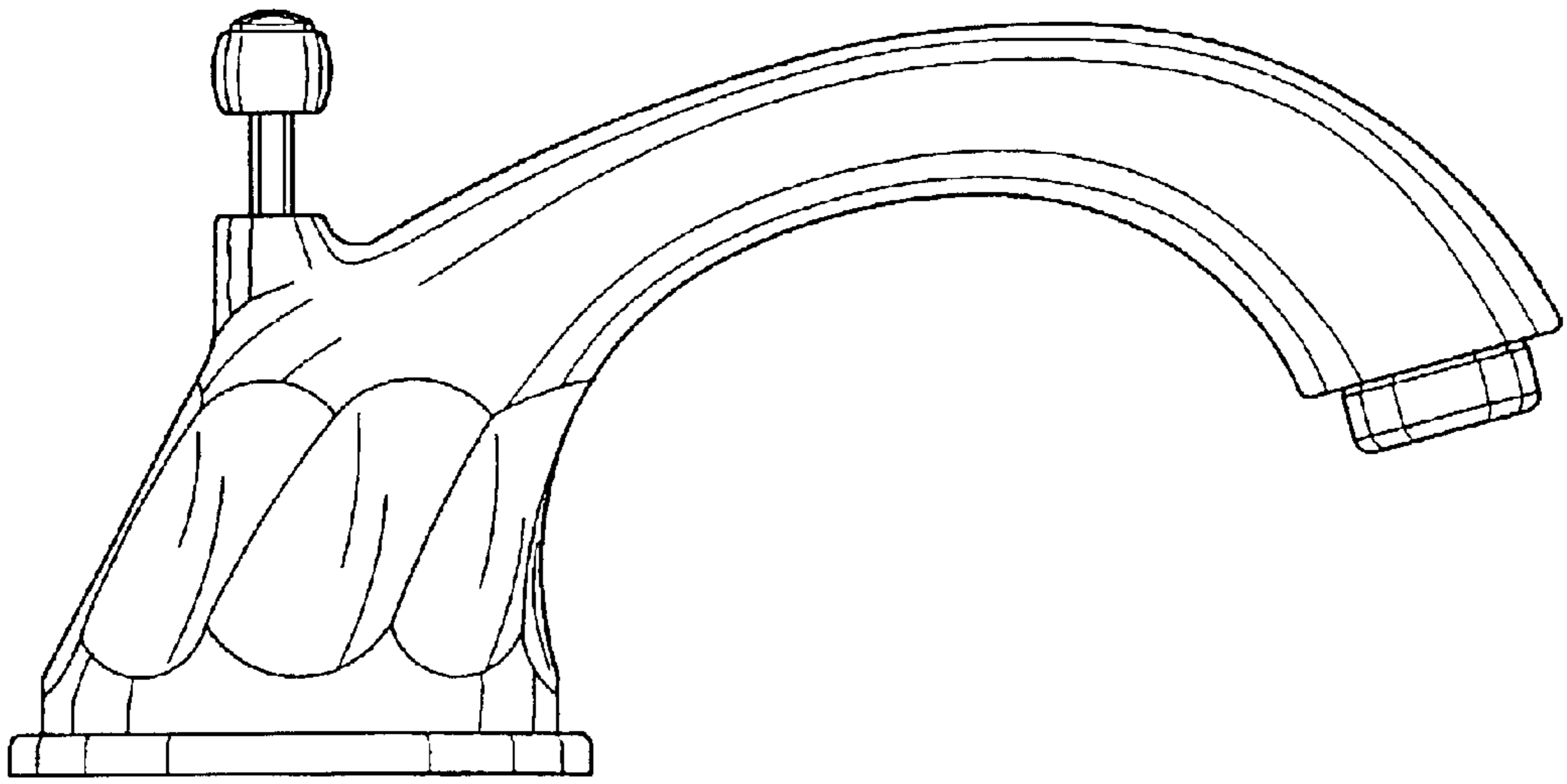


FIG. 4

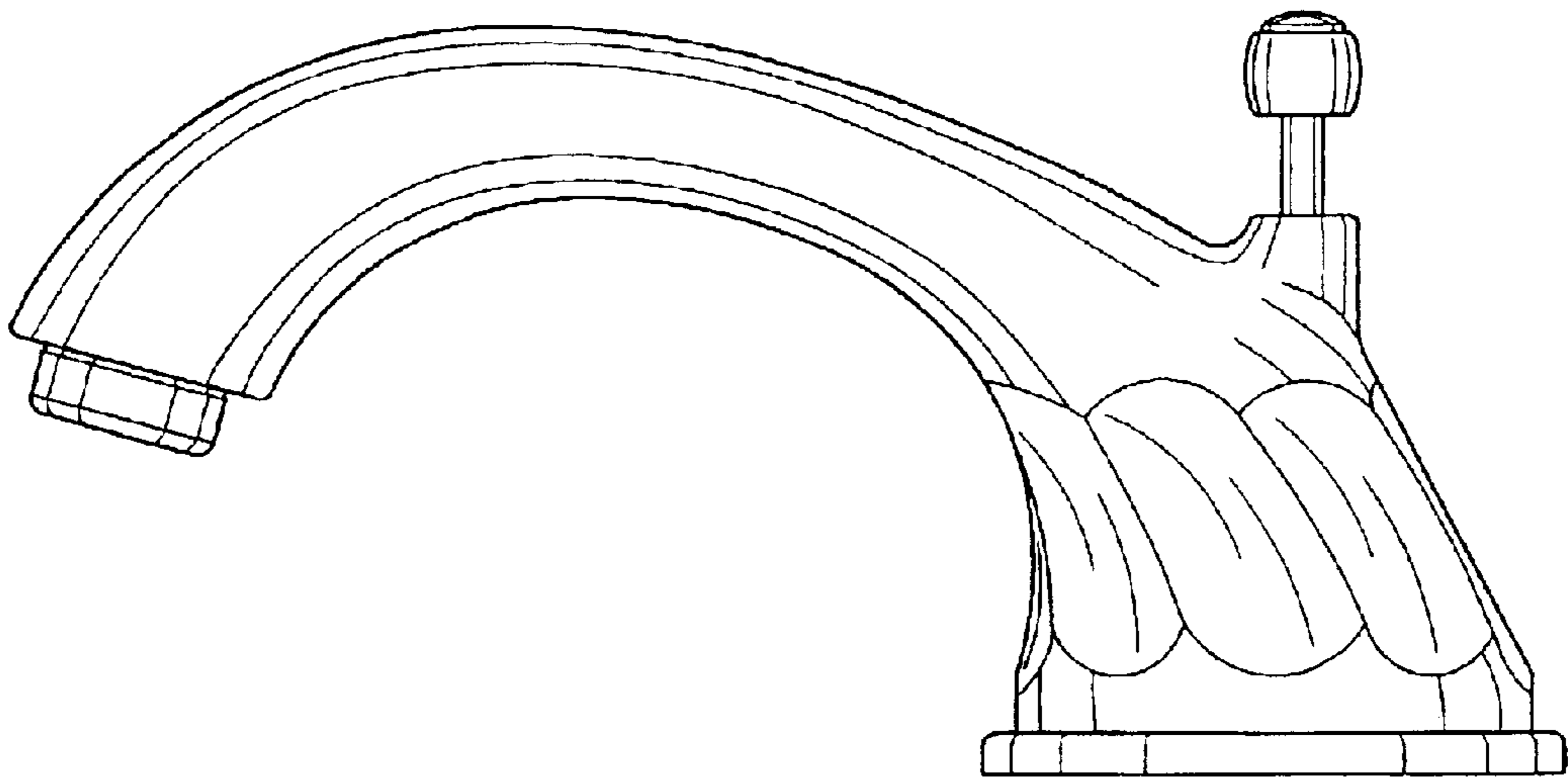


FIG. 5

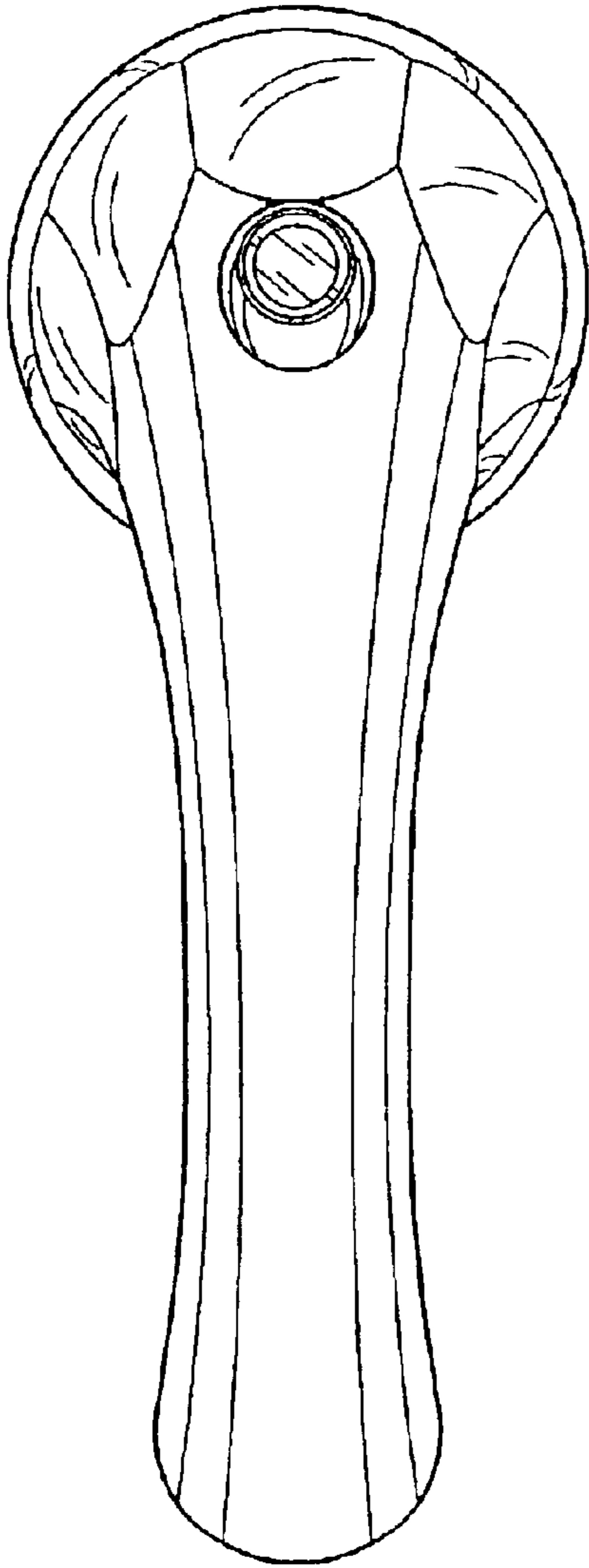


FIG. 6

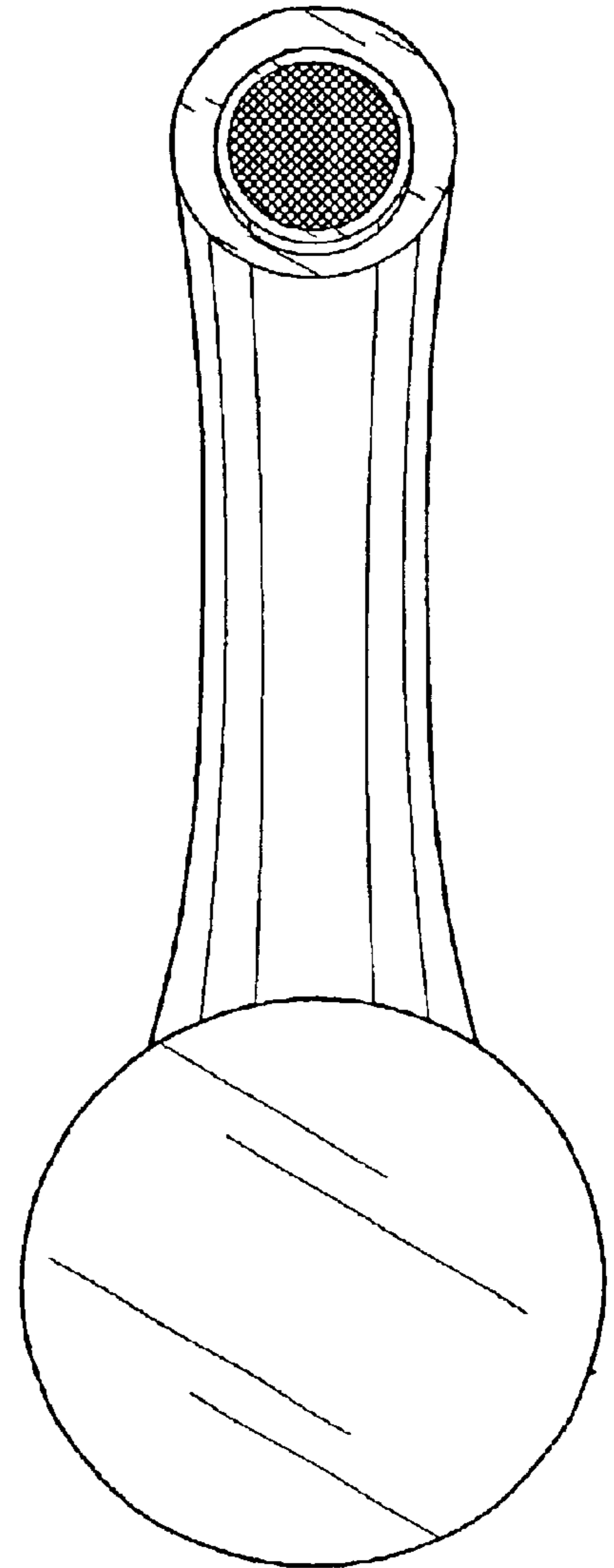


FIG. 7