



US00D490879S

(12) **United States Design Patent**
Lin

(10) **Patent No.:** **US D490,879 S**

(45) **Date of Patent:** **** Jun. 1, 2004**

(54) **FAUCET SPOUT**

(75) **Inventor:** **Shih-Hung Lin**, Taichung (TW)

(73) **Assignee:** **Globe Union Industrial Corp.**,
Taichung Export Processing Zone (TW)

(**) **Term:** **14 Years**

(21) **Appl. No.:** **29/182,754**

(22) **Filed:** **Jun. 2, 2003**

(51) **LOC (7) Cl.** **23-01**

(52) **U.S. Cl.** **D23/255; D23/238**

(58) **Field of Search** **D23/238-257;**
4/675-678; 137/801

(56) **References Cited**

U.S. PATENT DOCUMENTS

D327,944 S	*	7/1992	Stairs, Jr. et al.	D23/255
D350,390 S	*	9/1994	Bollenbacher	D23/255
D352,095 S	*	11/1994	Bollenbacher	D23/255
D374,478 S	*	10/1996	Doughty et al.	D23/242
D375,542 S	*	11/1996	Doughty et al.	D23/242

D430,650 S	*	9/2000	Graves	D23/242
D440,633 S	*	4/2001	Fleischmann	D23/238
D465,828 S	*	11/2002	Yegyayan	D23/238
D468,402 S	*	1/2003	Panis et al.	D23/242

* cited by examiner

Primary Examiner—Louis S. Zarfes

Assistant Examiner—Gregory Andoll

(74) *Attorney, Agent, or Firm*—Leong C. Lei

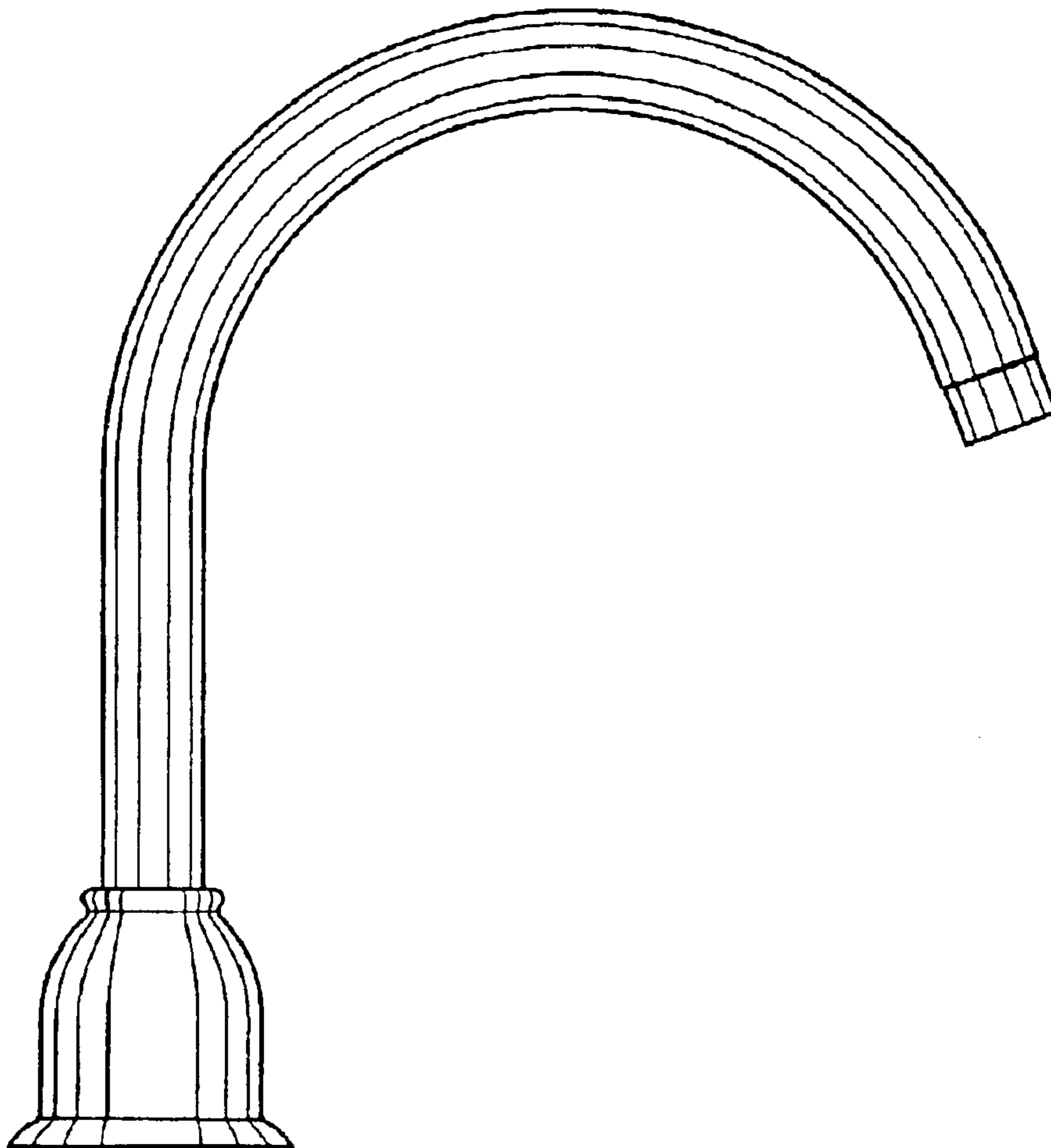
(57) **CLAIM**

The ornamental design for a faucet spout, as shown and described.

DESCRIPTION

FIG. 1 is perspective view of a faucet spout showing my new design;
 FIG. 2 is a front side elevation view thereof;
 FIG. 3 is a rear side elevation view thereof;
 FIG. 4 is a right side elevation view thereof;
 FIG. 5 is a left side elevation view thereof;
 FIG. 6 is a top plan view thereof; and,
 FIG. 7 is a bottom plan view thereof.

1 Claim, 4 Drawing Sheets



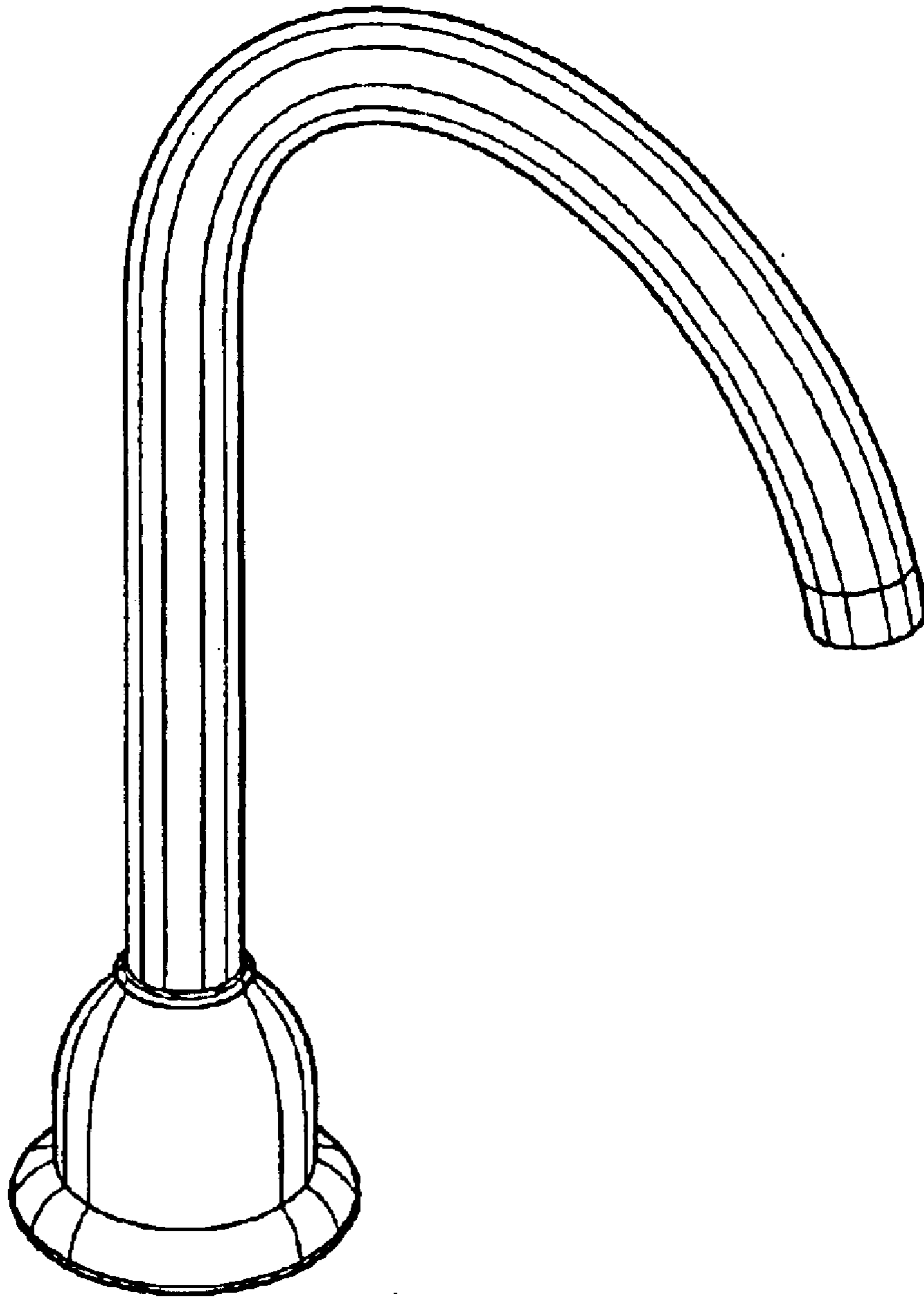


FIG. 1

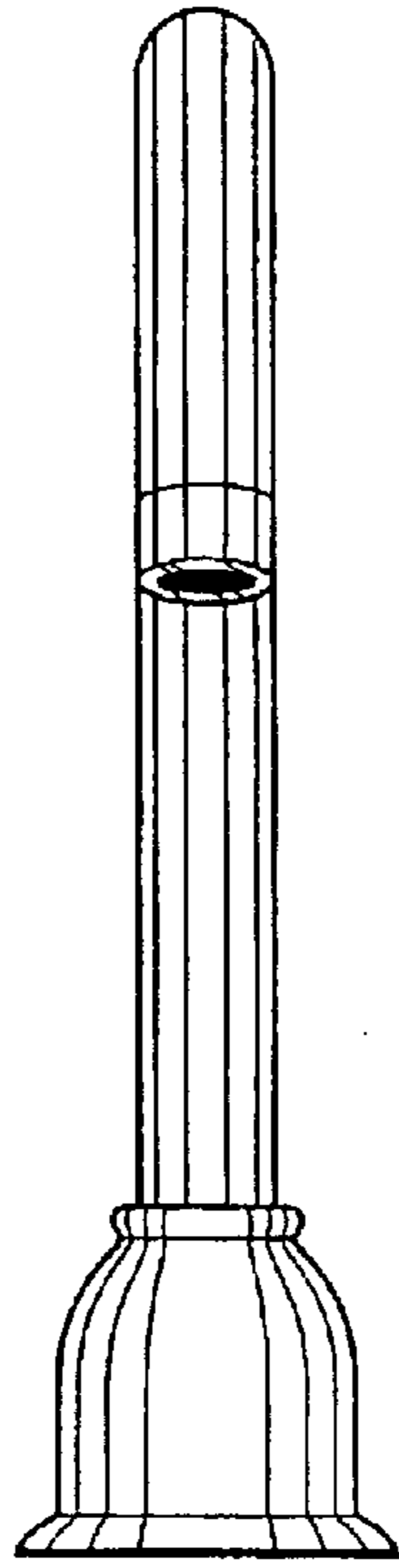


FIG. 2

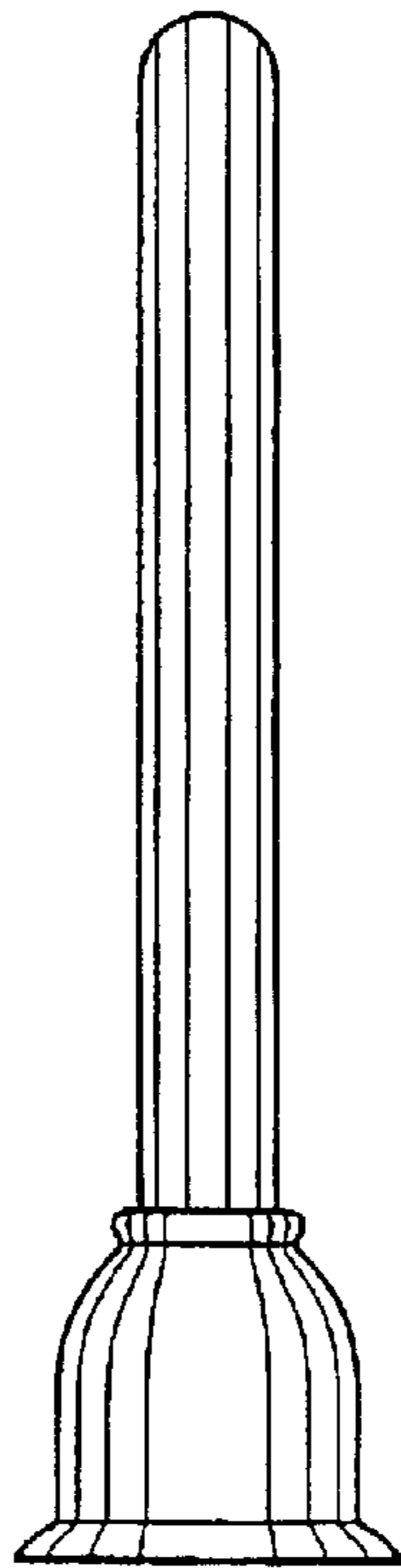


FIG. 3

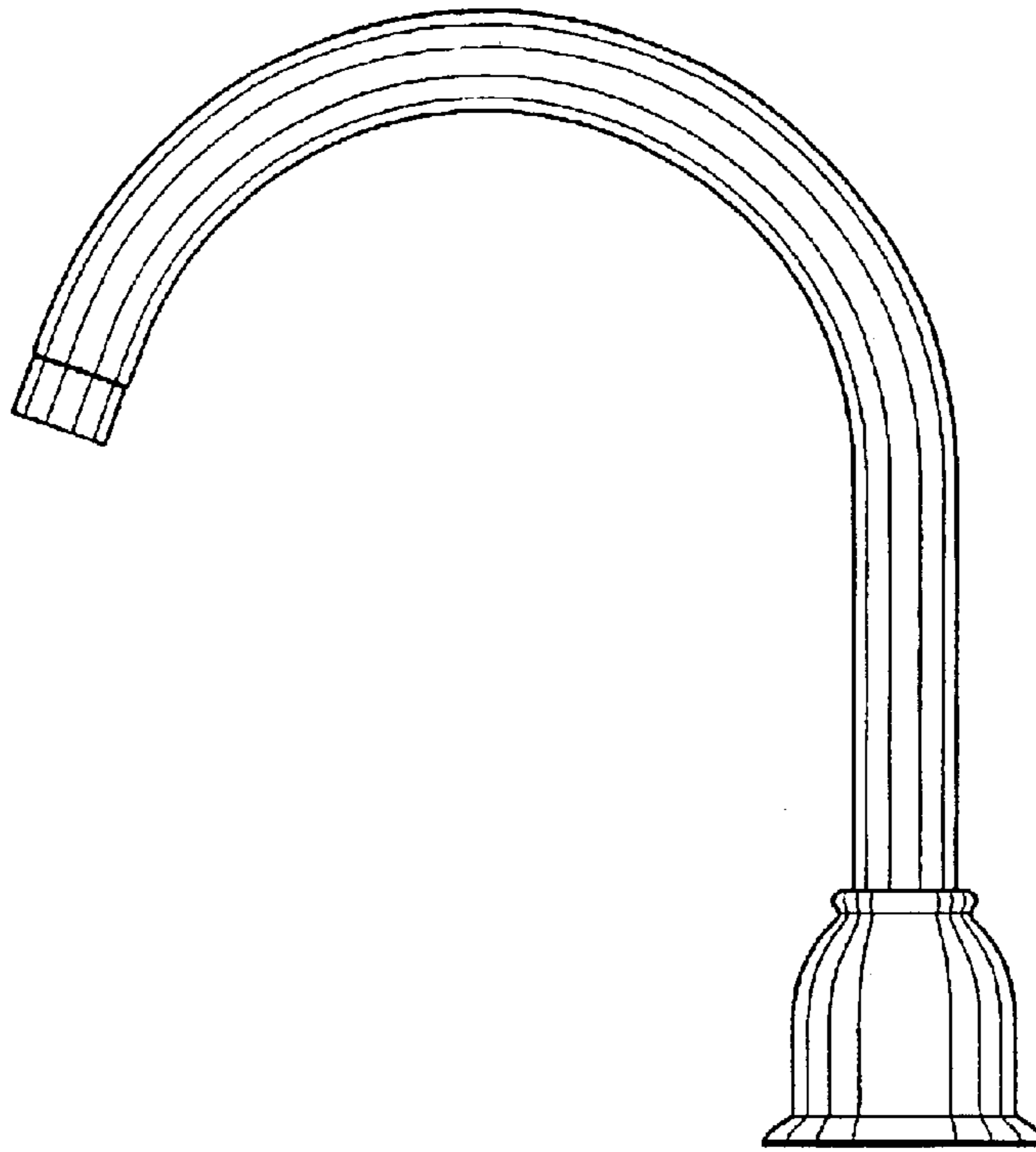


FIG. 4

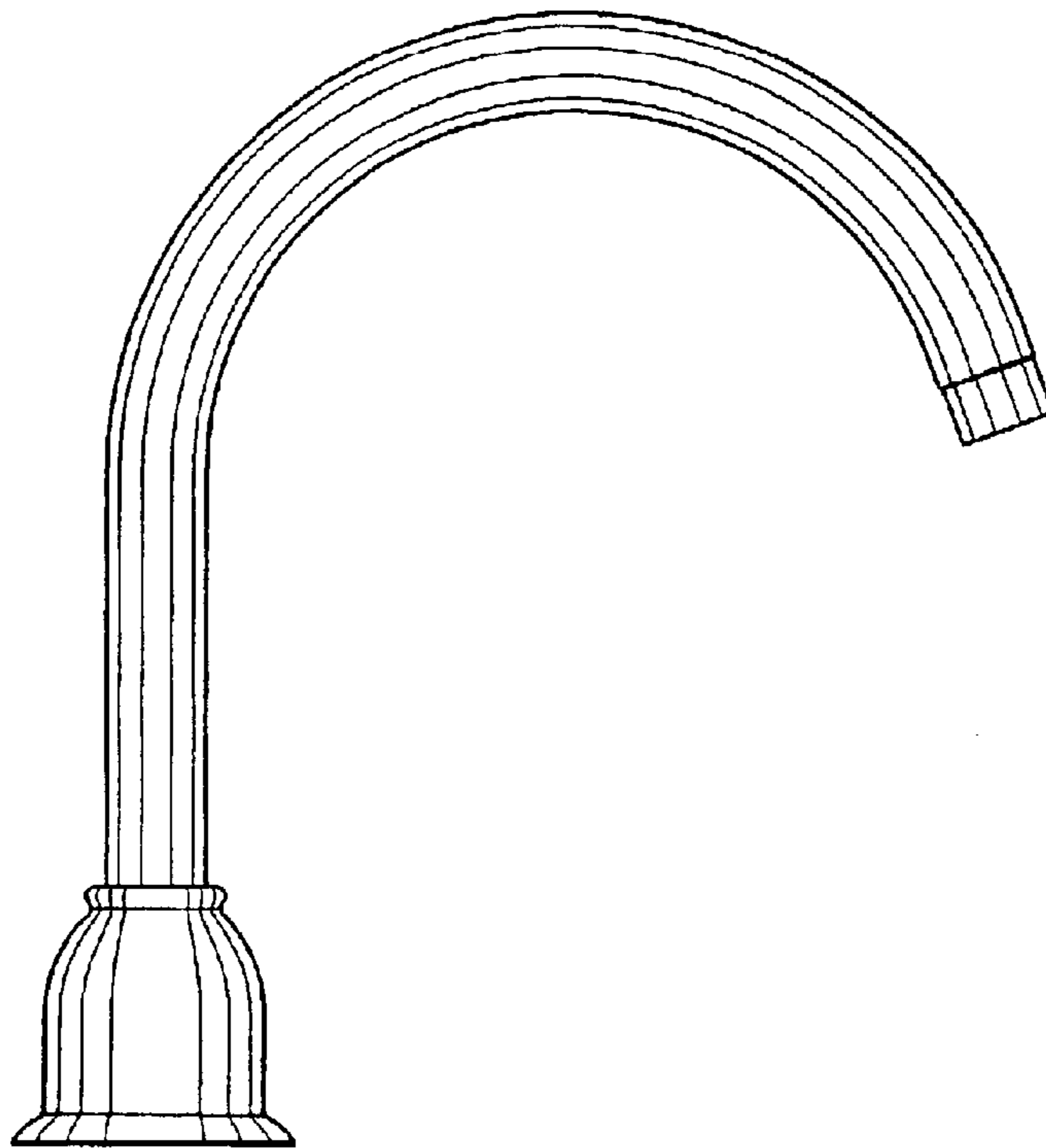


FIG. 5

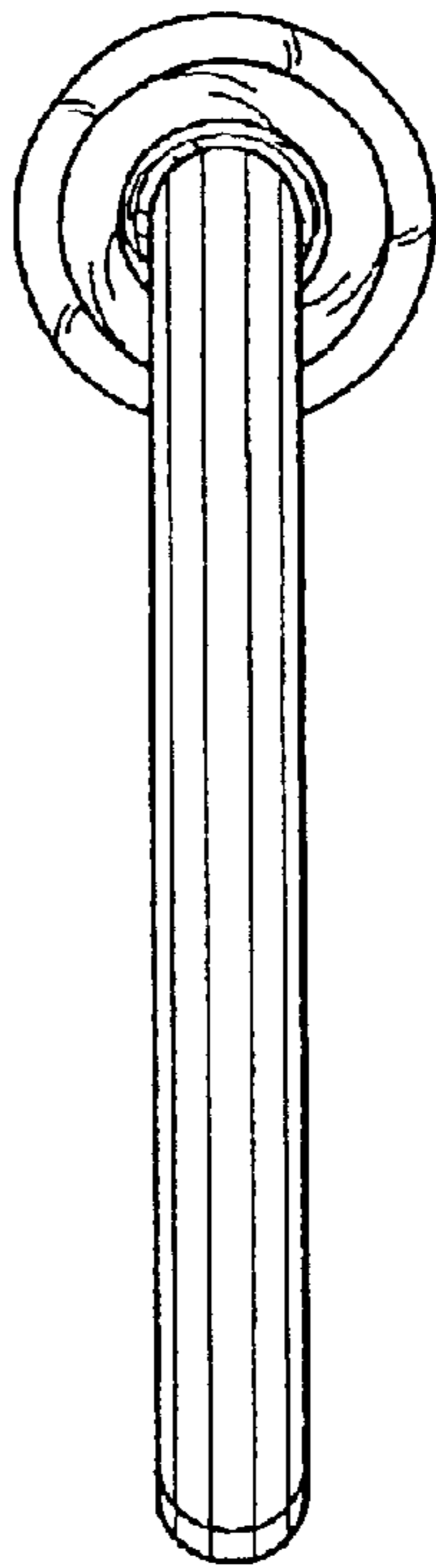


FIG. 6

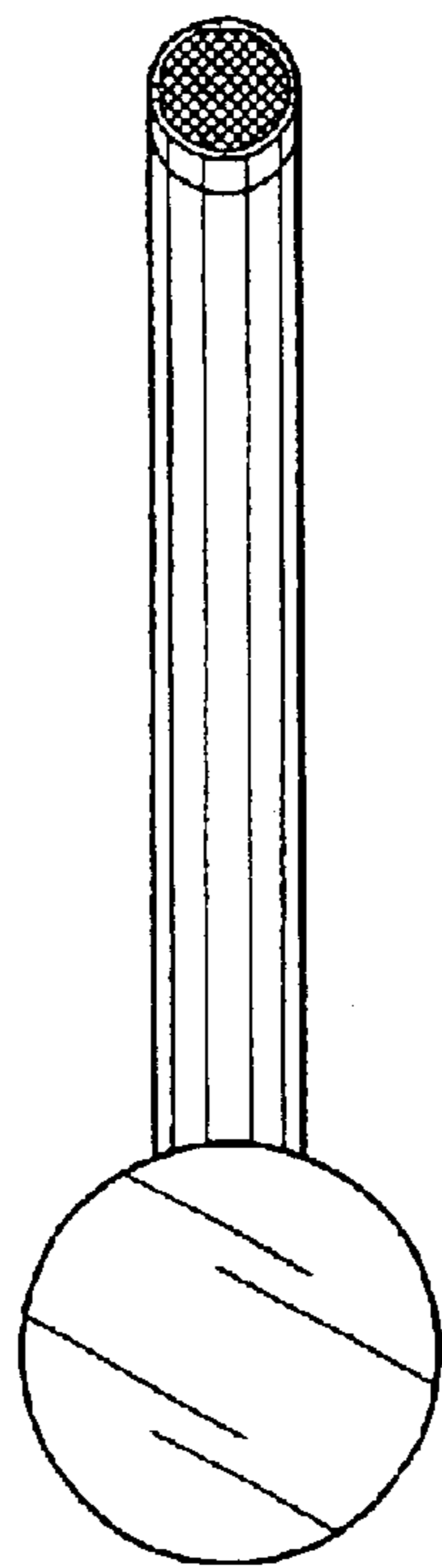


FIG. 7