



US00D490876S

(12) **United States Design Patent**  
**Okazaki et al.**

(10) **Patent No.:** **US D490,876 S**

(45) **Date of Patent:** **\*\* Jun. 1, 2004**

(54) **COLLECTION HEADER FOR FILTRATION**

**FOREIGN PATENT DOCUMENTS**

(75) Inventors: **Hiroyuki Okazaki**, Nagoya (JP);  
**Tetsuhiko Nakahara**, Nagoya (JP);  
**Manabu Yanou**, Tokyo (JP)

JP 955580 6/1996

\* cited by examiner

(73) Assignee: **Mitsubishi Rayon Co., Ltd.**, Tokyo (JP)

*Primary Examiner*—Robin V. Taylor

(74) *Attorney, Agent, or Firm*—Fitch, Even, Tabin & Flannery

(\*\*) Term: **14 Years**

(57) **CLAIM**

(21) Appl. No.: **29/173,636**

The ornamental design for a collection header for filtration, as shown and described.

(22) Filed: **Jan. 3, 2003**

**DESCRIPTION**

(30) **Foreign Application Priority Data**

Jul. 5, 2002 (JP) ..... 2002-018165

(51) **LOC (7) Cl.** ..... **23-01**

(52) **U.S. Cl.** ..... **D23/209**

(58) **Field of Search** ..... D23/209, 259;  
210/323.1, 323.2, 321.8, 322

FIG. 1 is a front perspective view of a collection header for filtration showing our new design;  
FIG. 2 is a front elevational view;  
FIG. 3 is a rear elevational view;  
FIG. 4 is a left side elevational view, the right side elevational view being a mirror image thereof;  
FIG. 5 is a top plan view;  
FIG. 6 is a bottom plan view;  
FIG. 7 is an enlarged cross-sectional view taken in the direction of 7—7 in FIG. 6; and,  
FIG. 8 is a front perspective view of the collection header for filtration used in a filter.

The broken lines shown in FIG. 8 are for illustrative purposes only and form no part of the claimed design.

(56) **References Cited**

**U.S. PATENT DOCUMENTS**

3,993,816 A \* 11/1976 Baudet et al. .... 428/45

5,922,201 A \* 7/1999 Yamamori et al. .... 210/321.79

6,294,039 B1 \* 9/2001 Mahendran et al. .... 156/242

**1 Claim, 2 Drawing Sheets**

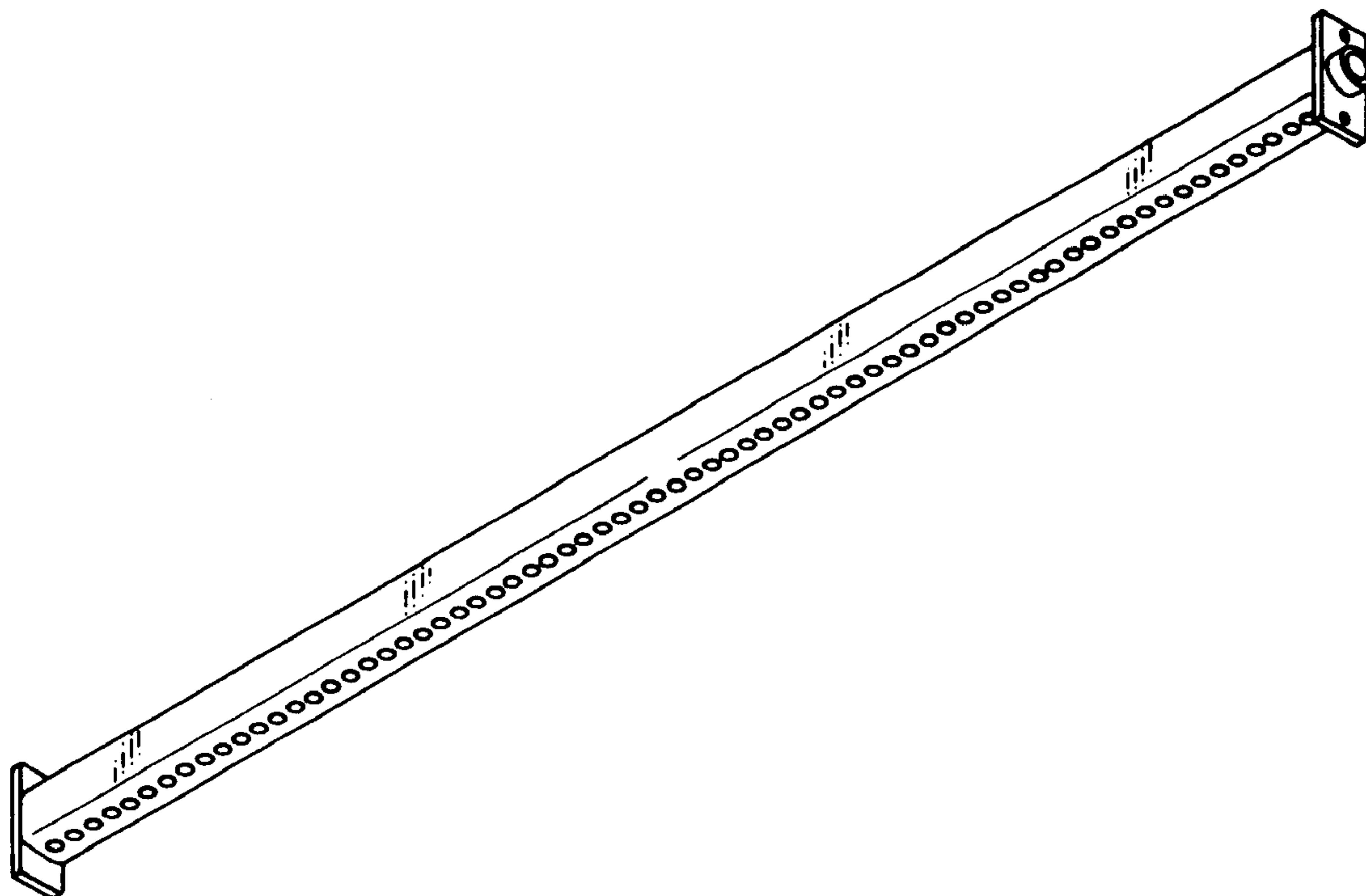


Fig. 1

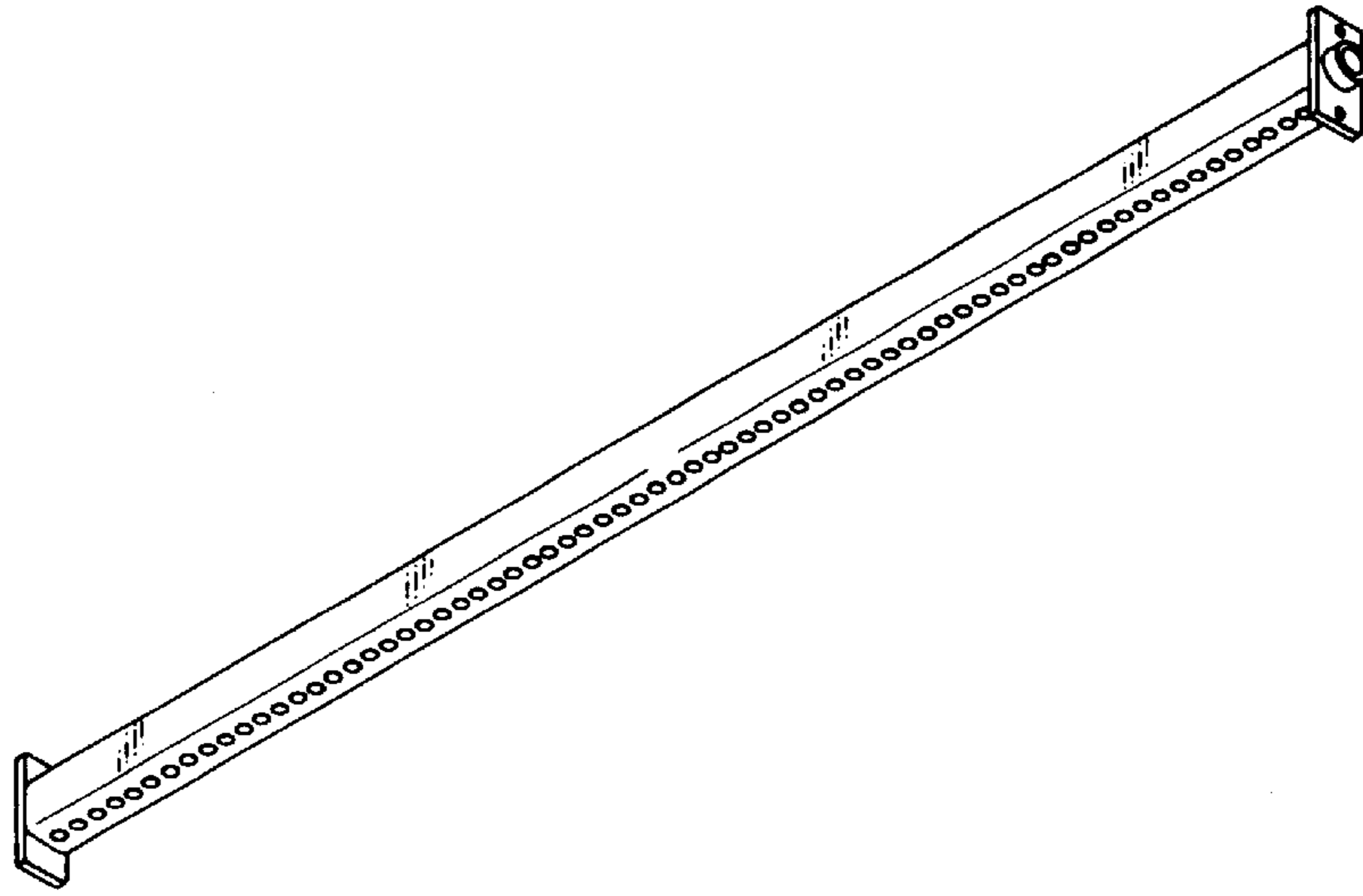


Fig. 2



Fig. 3



Fig. 4

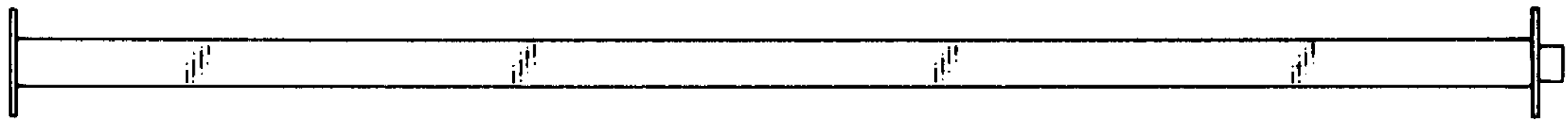


Fig. 5

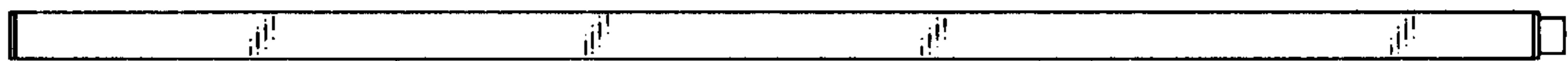


Fig. 6

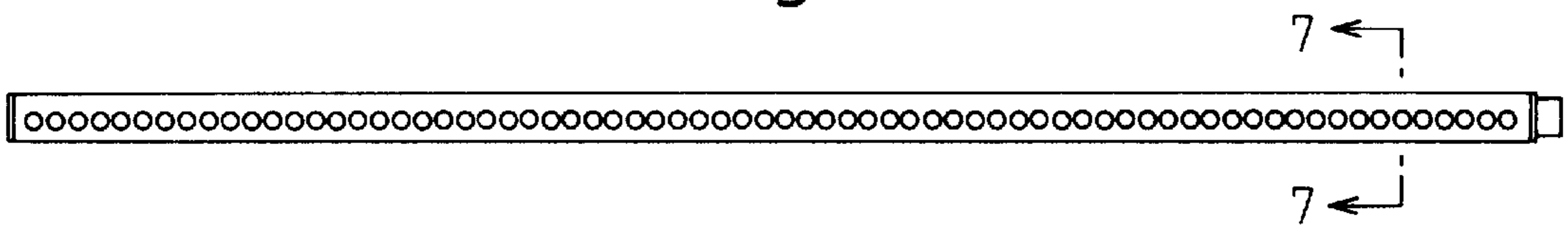


Fig. 7

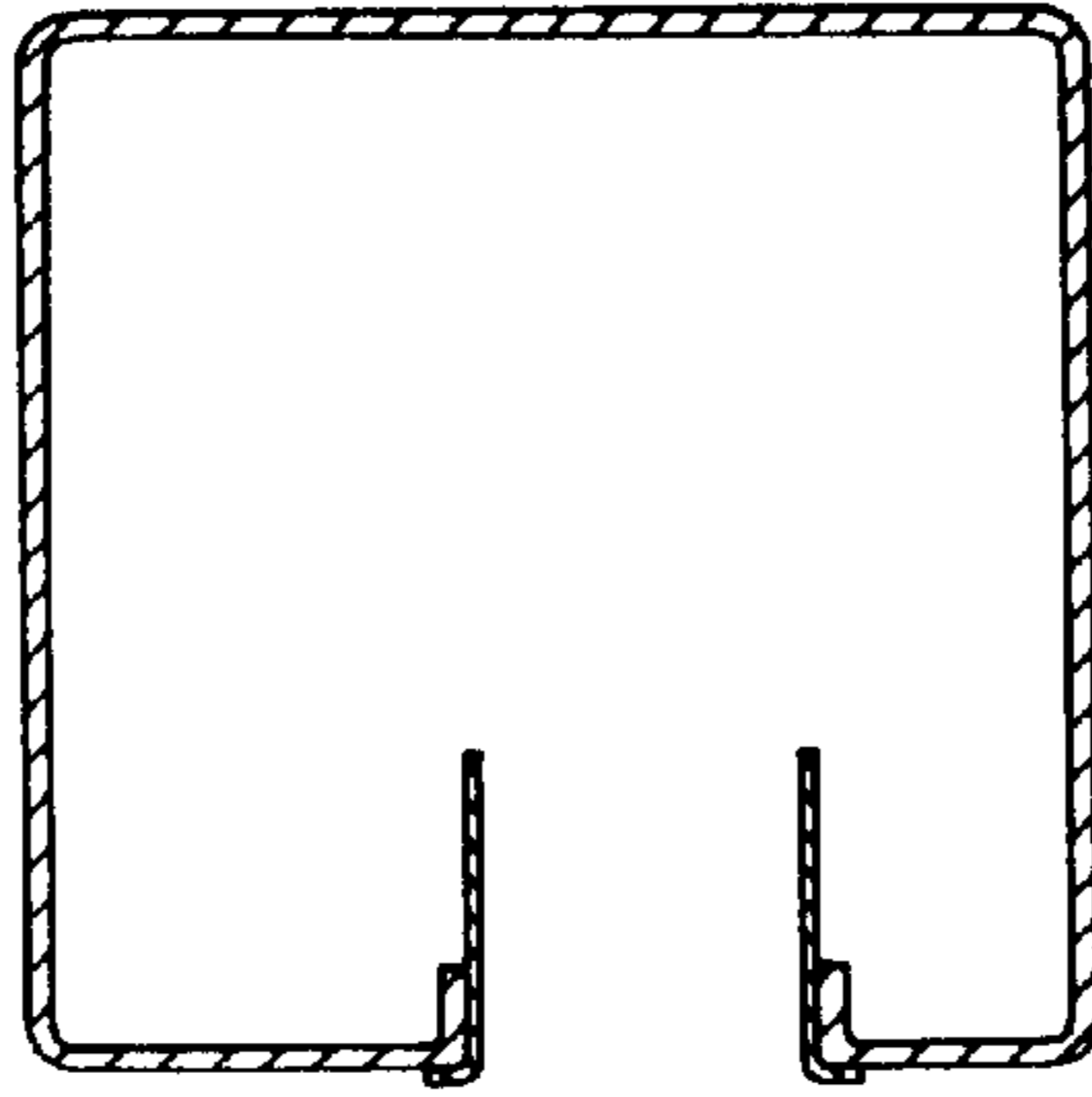


Fig. 8

