



US00D490874S

(12) **United States Design Patent**
Jones

(10) **Patent No.:** **US D490,874 S**

(45) **Date of Patent:** **** Jun. 1, 2004**

(54) **FISHING FLOAT**

(76) **Inventor:** **Charles R. Jones**, 419 W. Michigan,
Greensburg, KS (US) 67054

(**) **Term:** **14 Years**

(21) **Appl. No.:** **29/182,793**

(22) **Filed:** **Jun. 2, 2003**

(51) **LOC (7) Cl.** **22-05**

(52) **U.S. Cl.** **D22/146**

(58) **Field of Search** D22/146, 144-145,
D22/134, 199; 43/43.1, 44.9, 44.91

(56) **References Cited**

U.S. PATENT DOCUMENTS

D195,776 S * 7/1963 Hansen D22/146

D442,256 S * 5/2001 Haney D22/146

D458,663 S * 6/2002 De Frisco D22/146

* cited by examiner

Primary Examiner—Catherine R. Oliver

(74) *Attorney, Agent, or Firm*—Edward L. Brown, Jr.

(57) **CLAIM**

The ornamental design for a “fishing float”, as shown and described.

DESCRIPTION

FIG. 1 is a perspective view of the upper left side of the “fishing float”;

FIG. 2 is a perspective view of the bottom half of the “fishing float” which is identical to the top half;

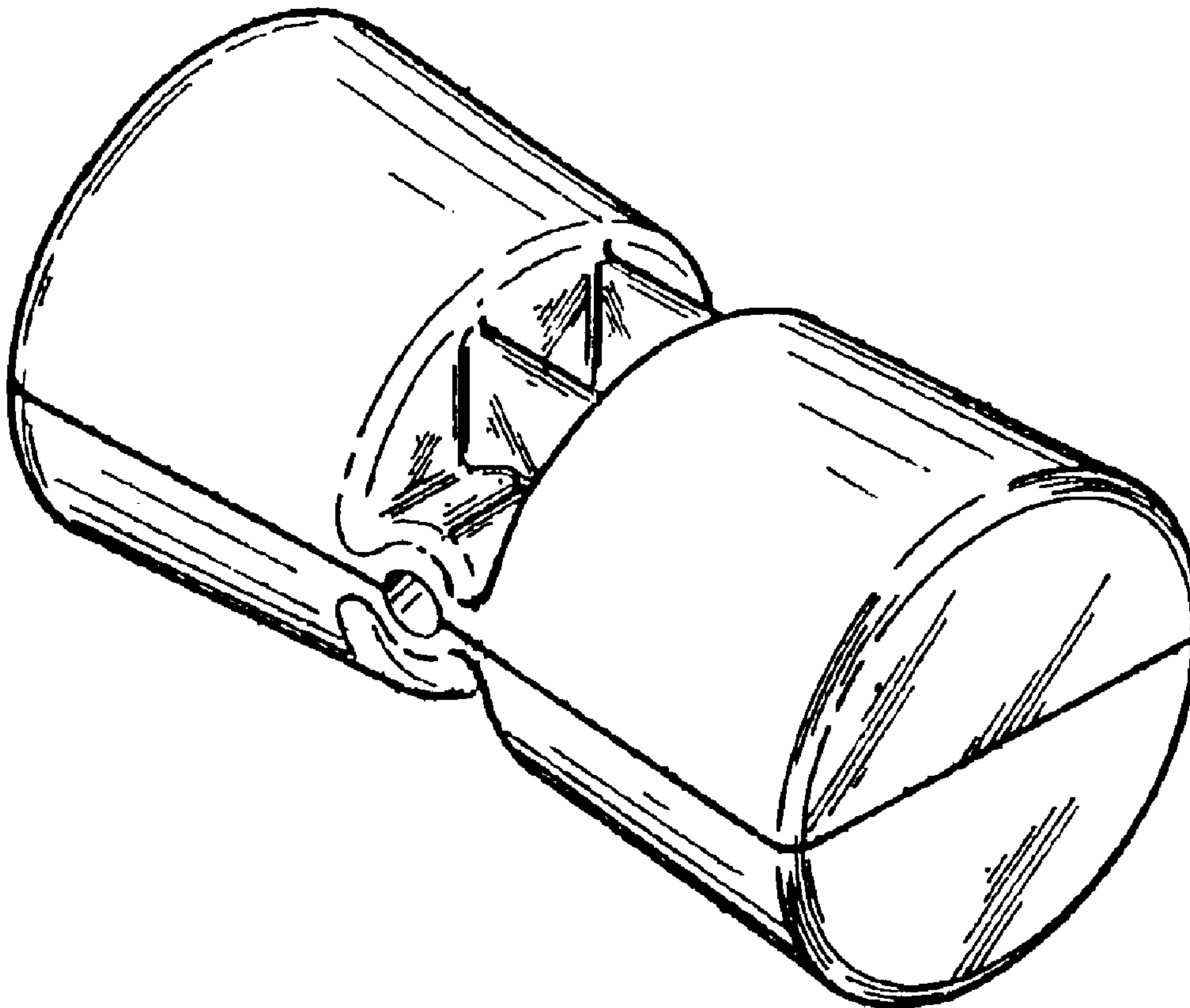
FIG. 3 is a left side elevational view of one-half of the “fishing float”;

FIG. 4 is a plan view of one-half of the “fishing float” viewing the joining seam of the two halves that make up the design; and,

FIG. 5 is an end view of one-half of the design.

The right side is a mirror image of the left side and the opposite end view is a mirror image.

1 Claim, 1 Drawing Sheet



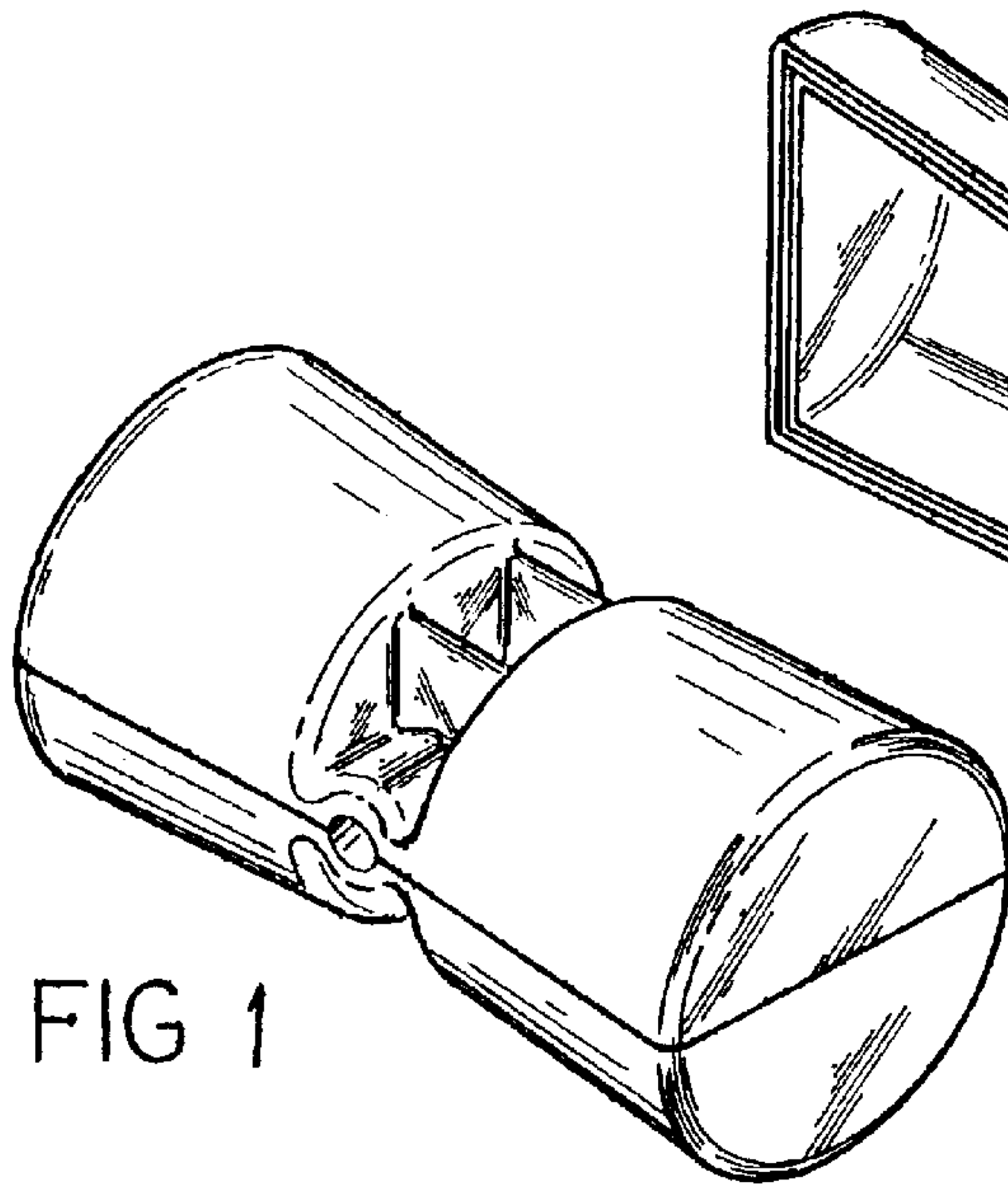


FIG 1

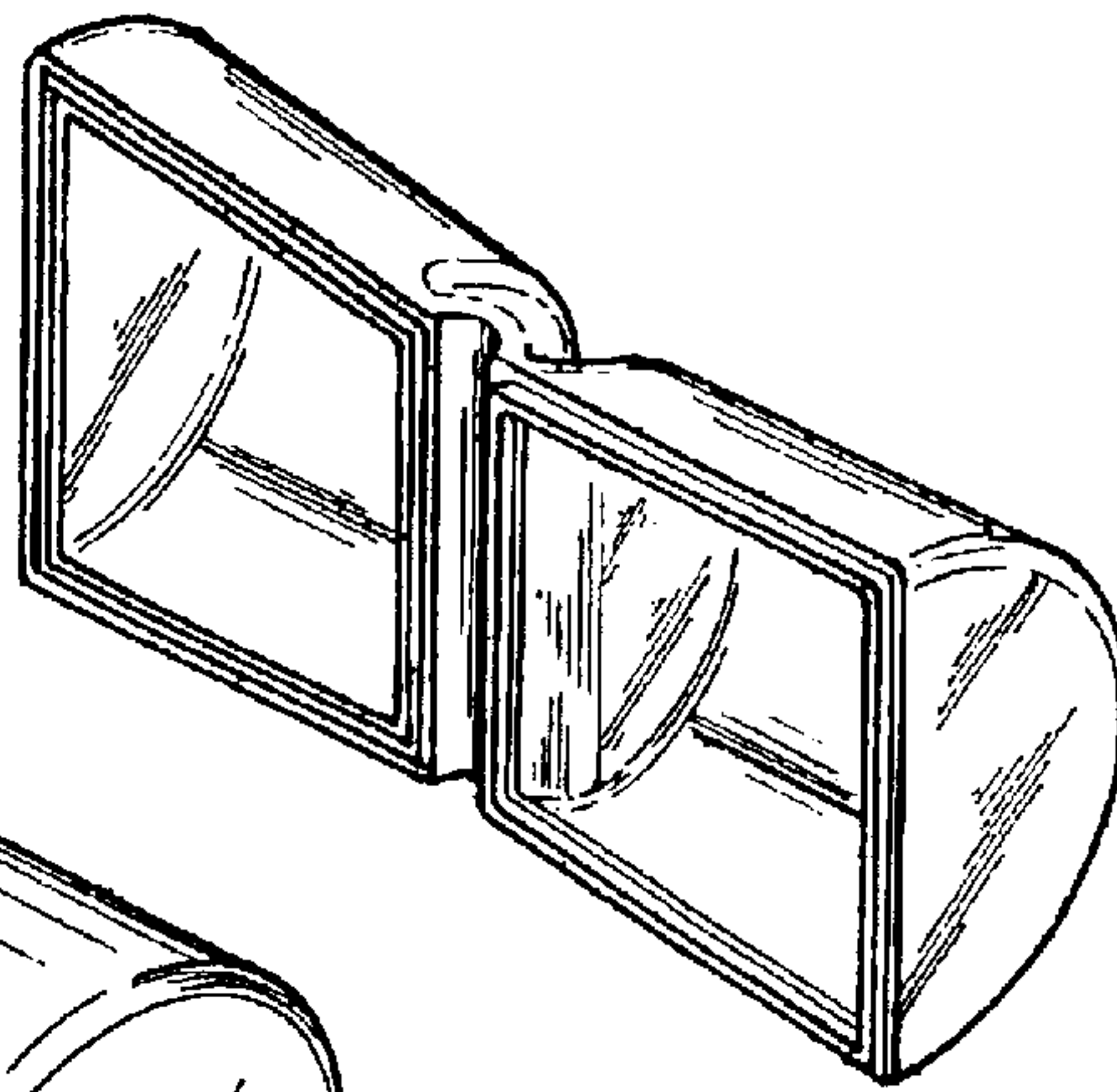


FIG 2

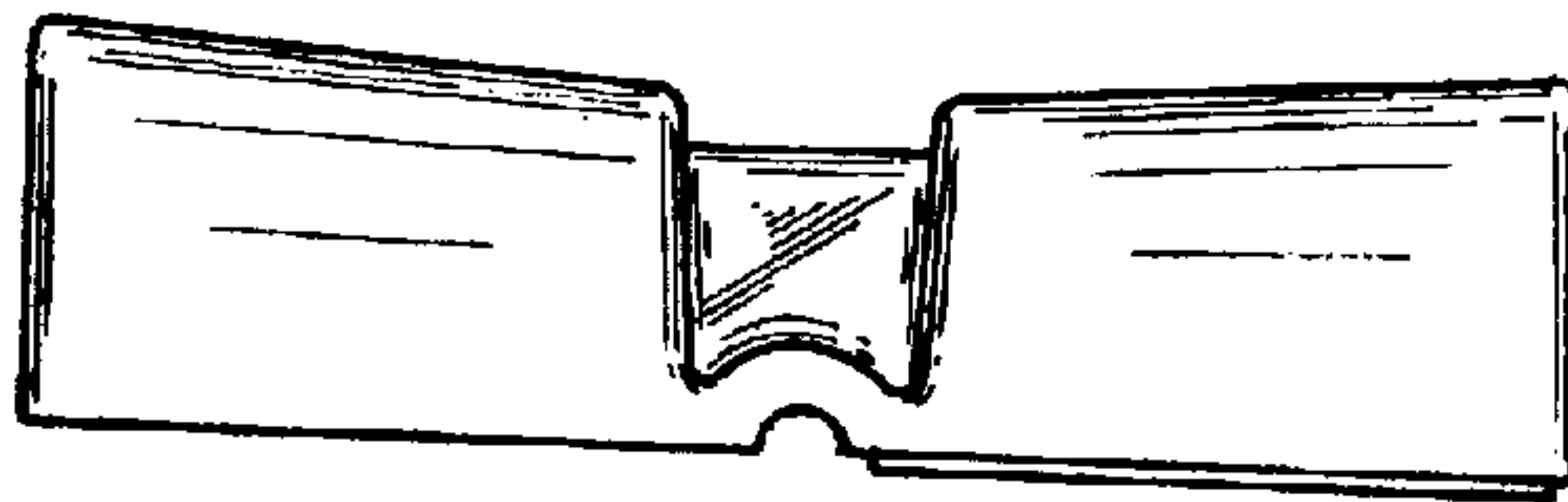


FIG 3

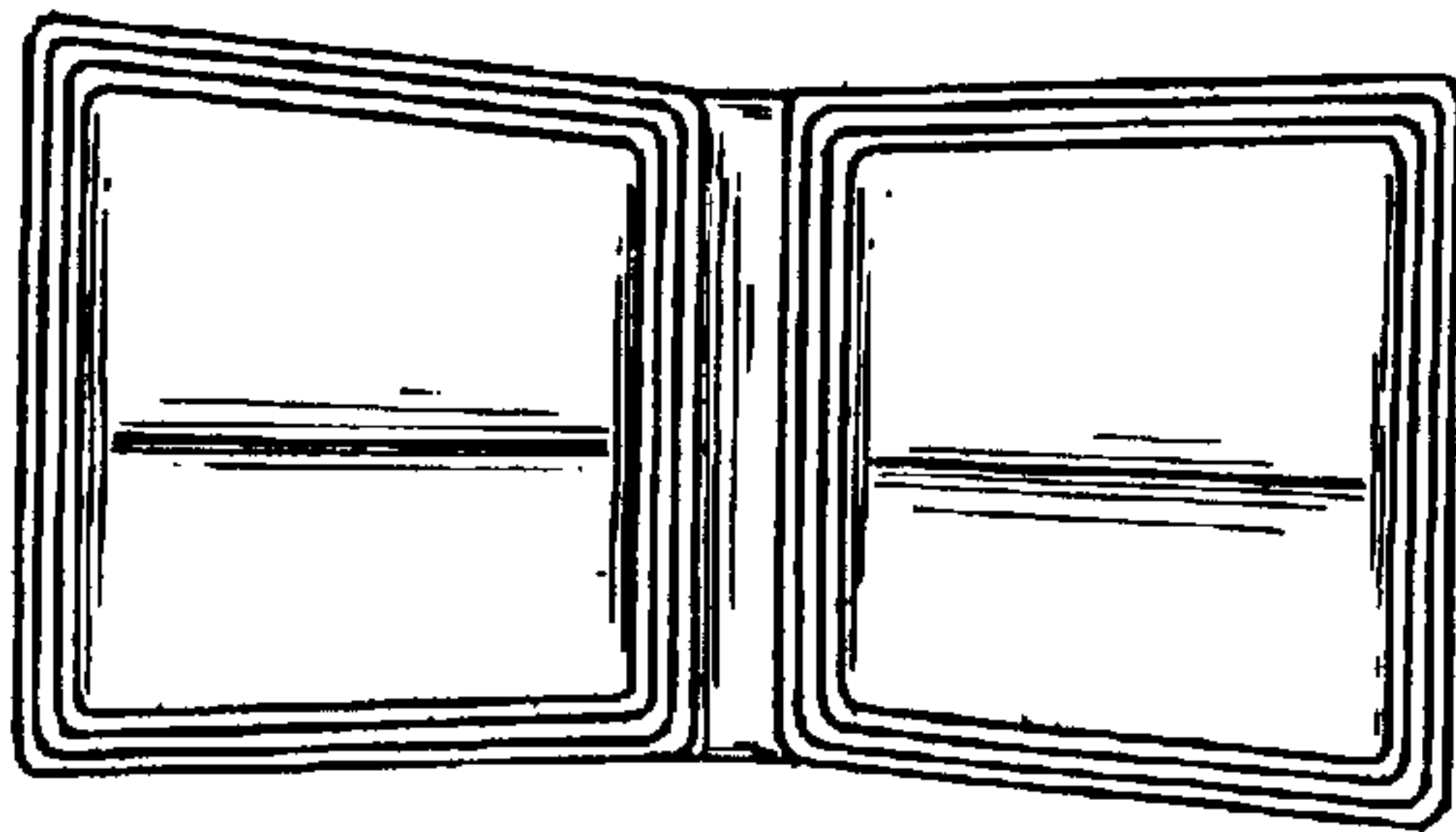


FIG 4



FIG 5