



US00D490870S

(12) **United States Design Patent**
Burrows

(10) **Patent No.:** **US D490,870 S**

(45) **Date of Patent:** **** Jun. 1, 2004**

(54) **WOOD TYPE HEAD FOR A GOLF CLUB**

(75) Inventor: **Bruce D. Burrows**, Santa Clarita, CA (US)

(73) Assignee: **Burrows Golf, Inc.**, Valencia, CA (US)

(**) Term: **14 Years**

(21) Appl. No.: **29/174,046**

(22) Filed: **Jan. 10, 2003**

(51) **LOC (7) Cl.** **21-02**

(52) **U.S. Cl.** **D21/752**

(58) **Field of Search** D21/733, 752;
473/321-331, 345, 346

D397,749 S 9/1998 Burrows
D401,299 S 11/1998 Burrows
5,851,159 A 12/1998 Burrows
D413,642 S 9/1999 Burrows
D413,953 S 9/1999 Burrows
6,422,951 B1 7/2002 Burrows

* cited by examiner

Primary Examiner—Mitchell Siegel

(74) *Attorney, Agent, or Firm*—Kelly Bauersfeld Lowry & Kelley, LLP

(57) **CLAIM**

The ornamental design for a wood type head for a golf club, as shown and described.

DESCRIPTION

FIG. 1 is a perspective view showing the bottom, front and toe end sides of a wood type head for a golf club embodying the new design;

FIG. 2 is a front elevational view thereof; and,

FIG. 3 is a toe end elevational view thereof;

FIG. 4 is a heel end elevational view thereof;

FIG. 5 is a rear elevational view thereof;

FIG. 6 is a top plan view thereof;

FIG. 7 is a bottom plan view thereof; and,

FIG. 8 is a sectional view taken generally on the line 8—8 of FIG. 3.

The broken line showings of a fragmented golf club shaft and a faceplate groove pattern are for illustrative purposes only and form no part of the claimed design.

(56) **References Cited**

U.S. PATENT DOCUMENTS

3,300,241	A	*	1/1967	Eberwein et al.	294/19.2
3,374,027	A	*	3/1968	Jacobs	294/19.2
D231,625	S	*	5/1974	Werner	D21/745
D257,872	S	*	1/1981	MacDougall	D21/744
D257,873	S	*	1/1981	MacDougall	D21/745
5,273,283	A	*	12/1993	Bowland	473/338
D354,103	S	*	1/1995	Allen	D21/752
D356,356	S	*	3/1995	Jacobs	D21/744
D364,666	S	*	11/1995	Nagy	D21/743
D366,919	S	*	2/1996	Jacobs	D21/745
D368,752	S	*	4/1996	Patten	D21/745
D385,003	S		10/1997	Burrows		
D390,294	S		2/1998	Burrows		
D390,295	S		2/1998	Burrows		
D392,354	S		3/1998	Burrows		

1 Claim, 4 Drawing Sheets

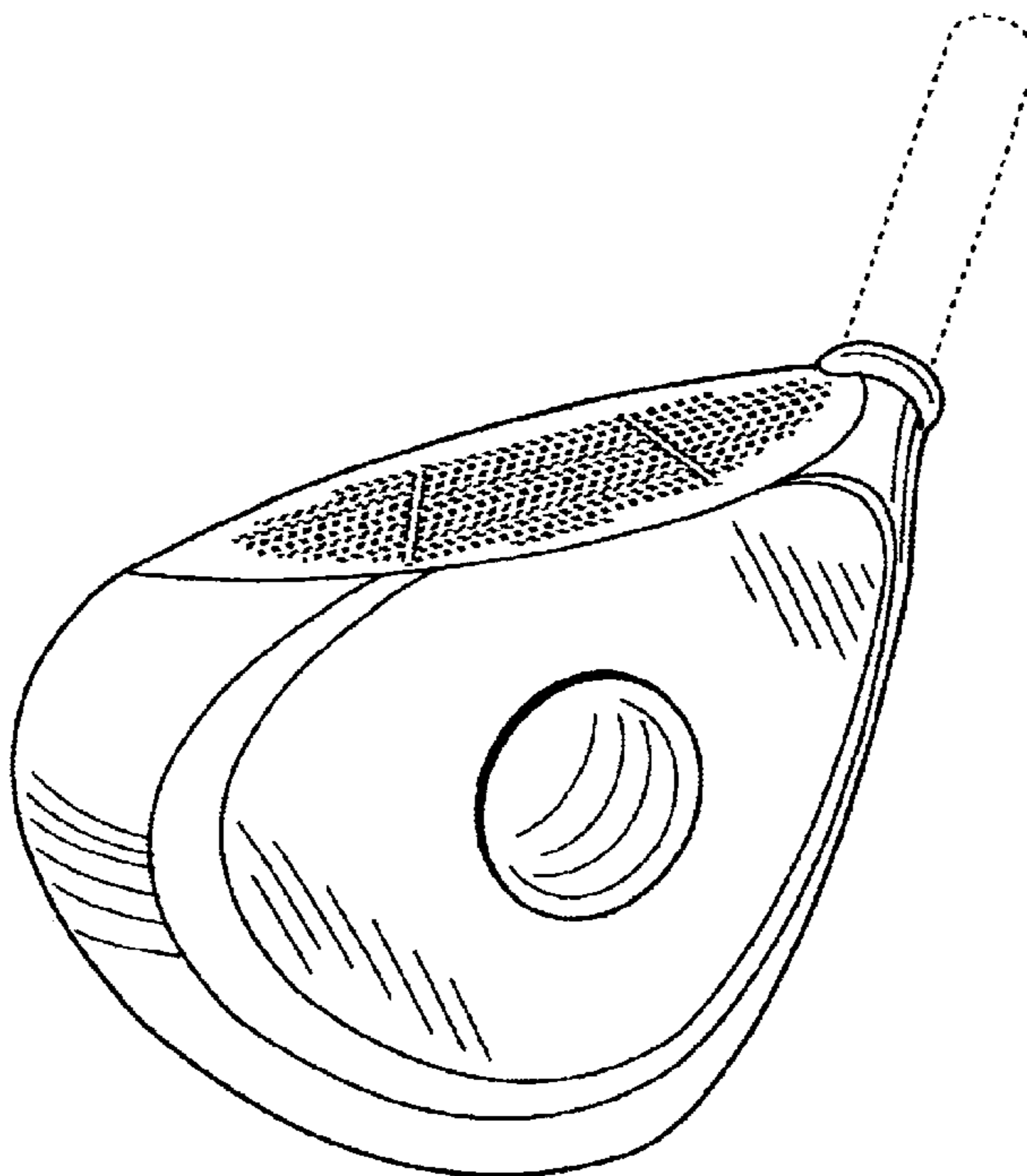


FIG. 1

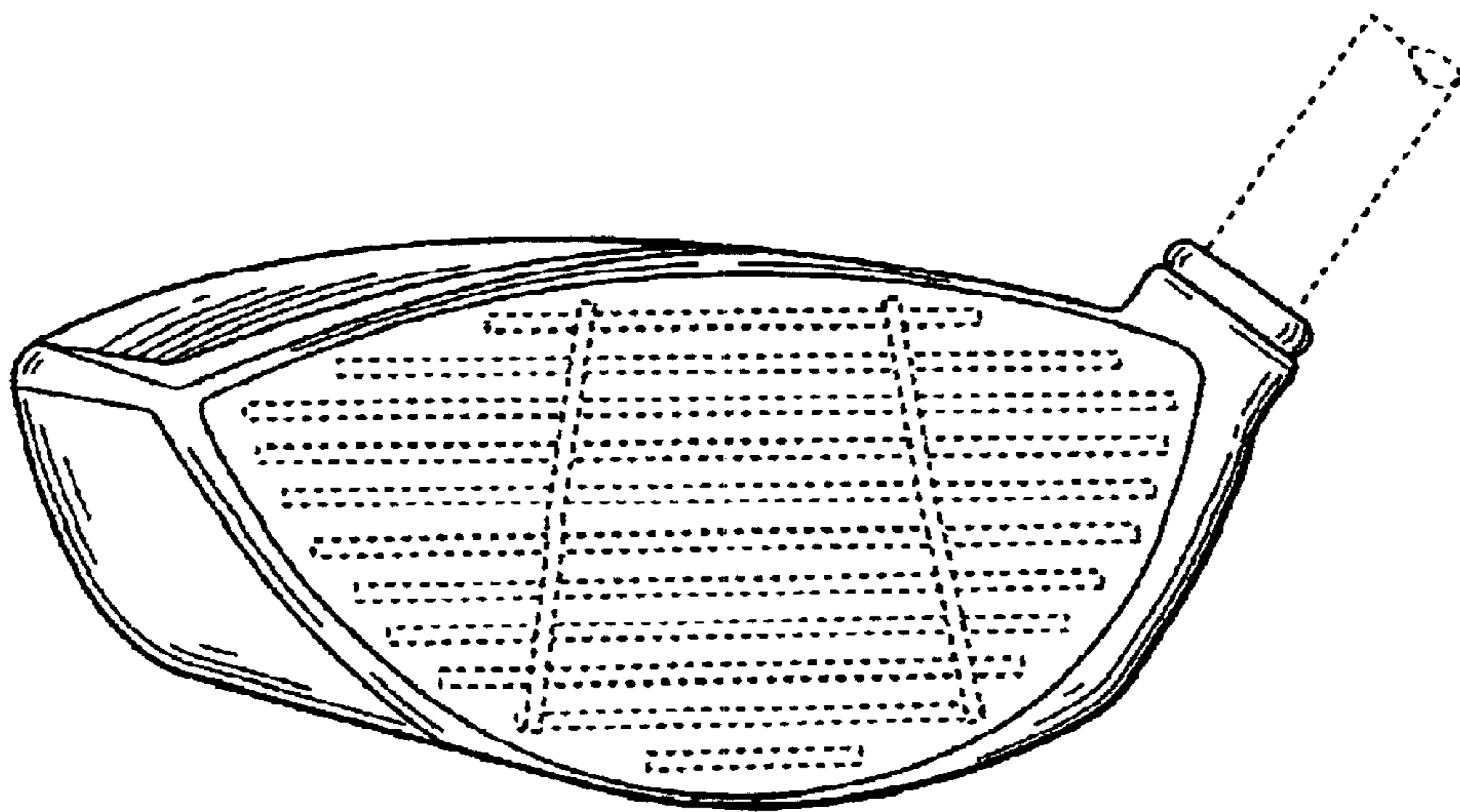
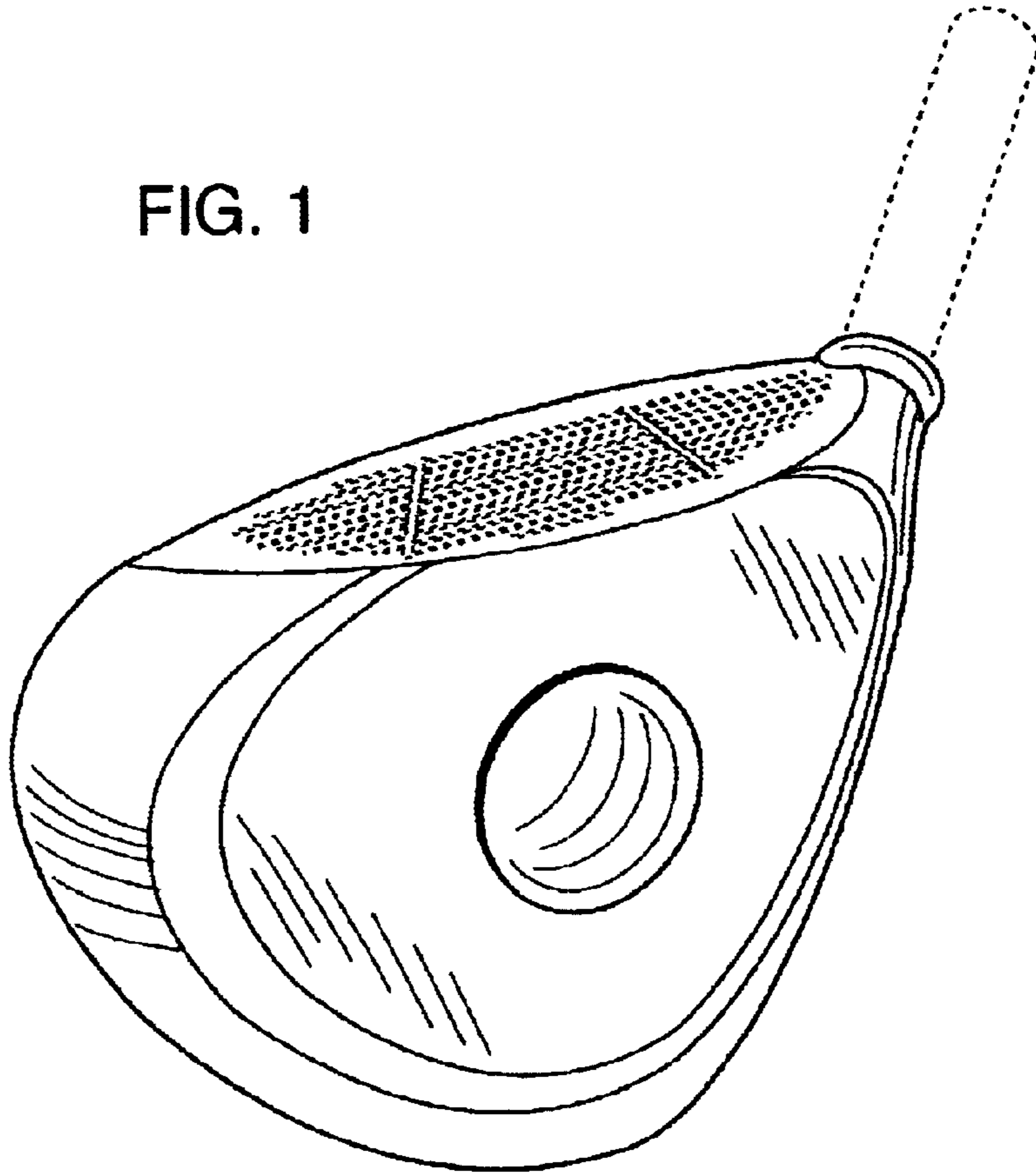
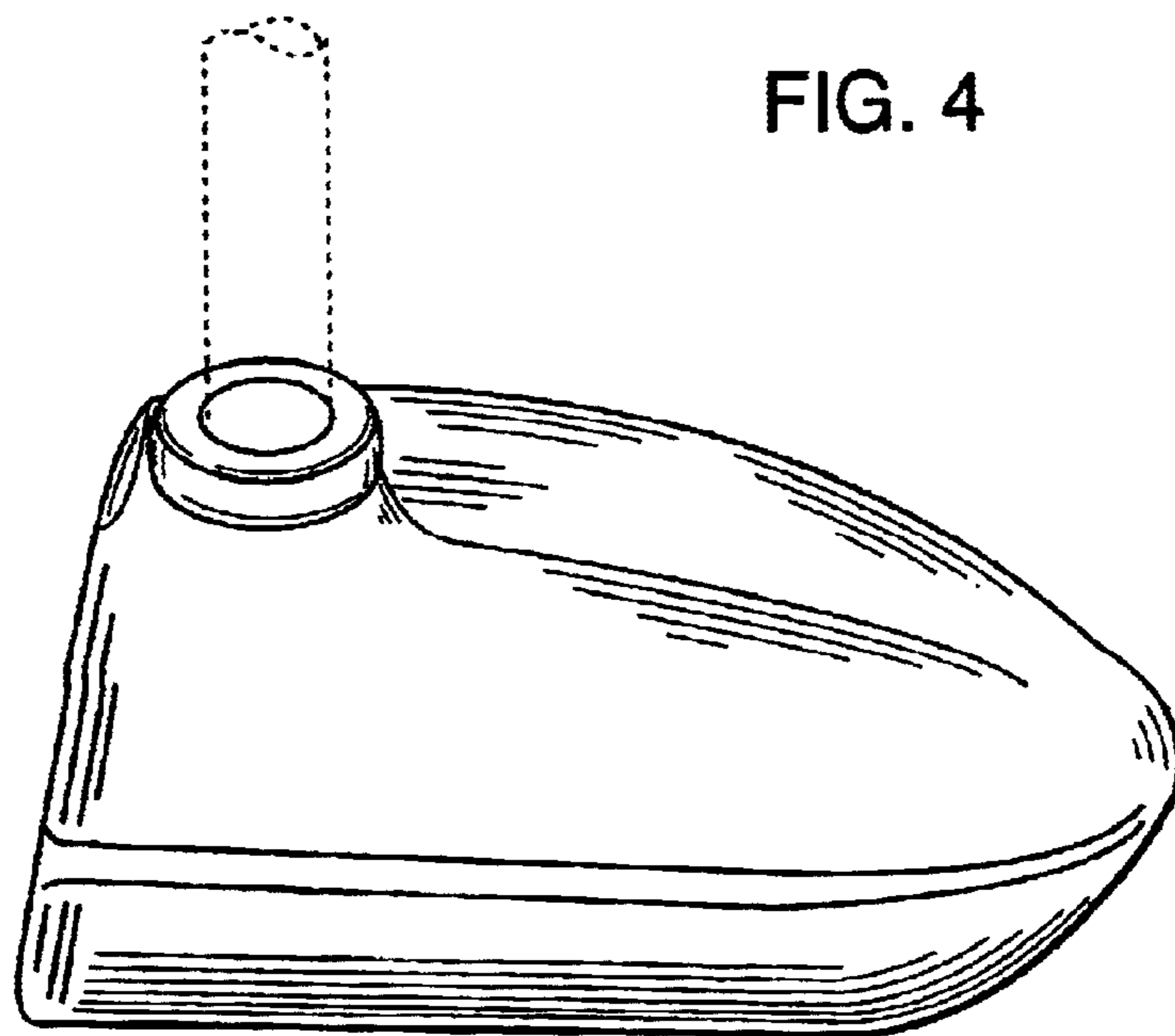
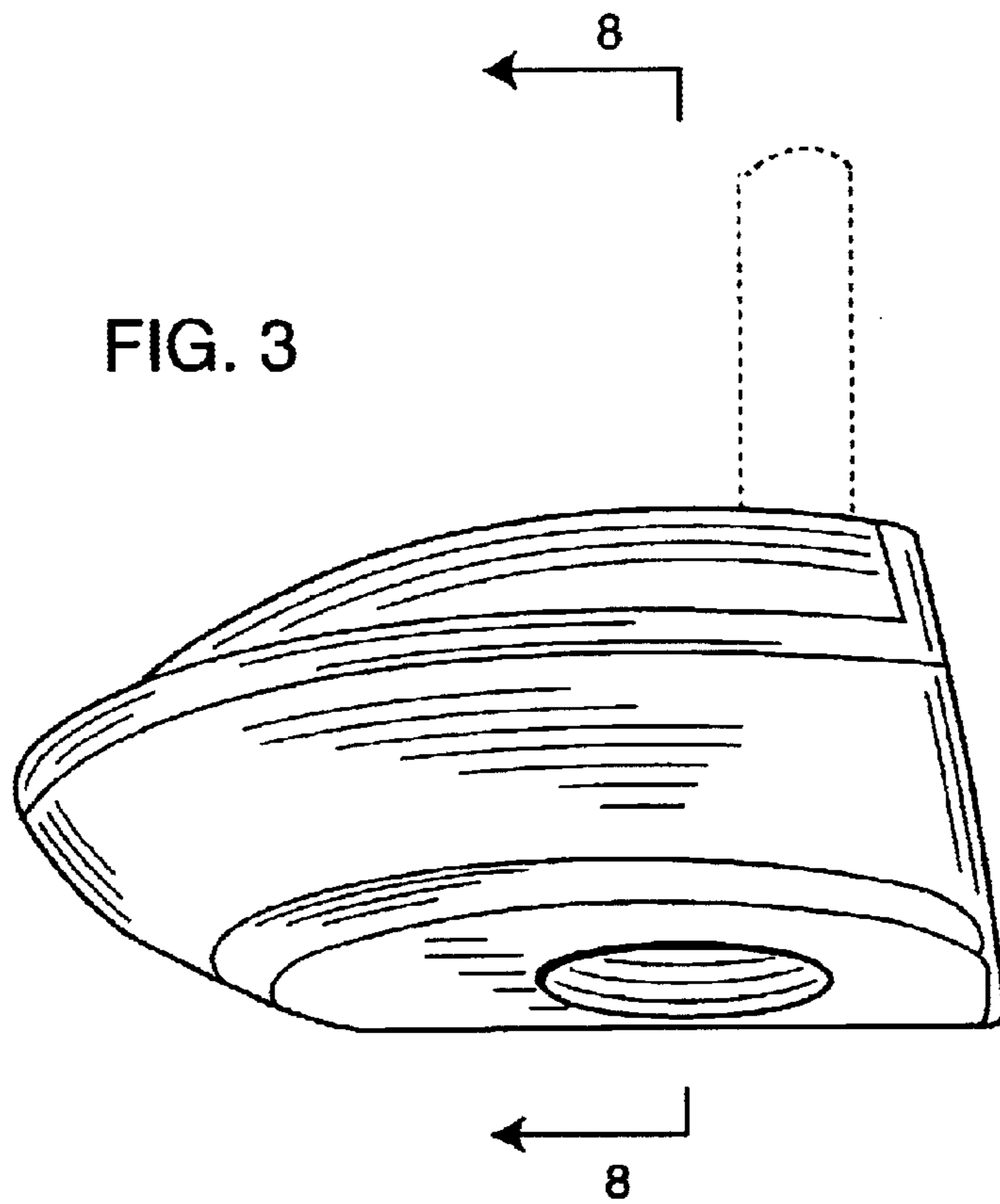


FIG. 2



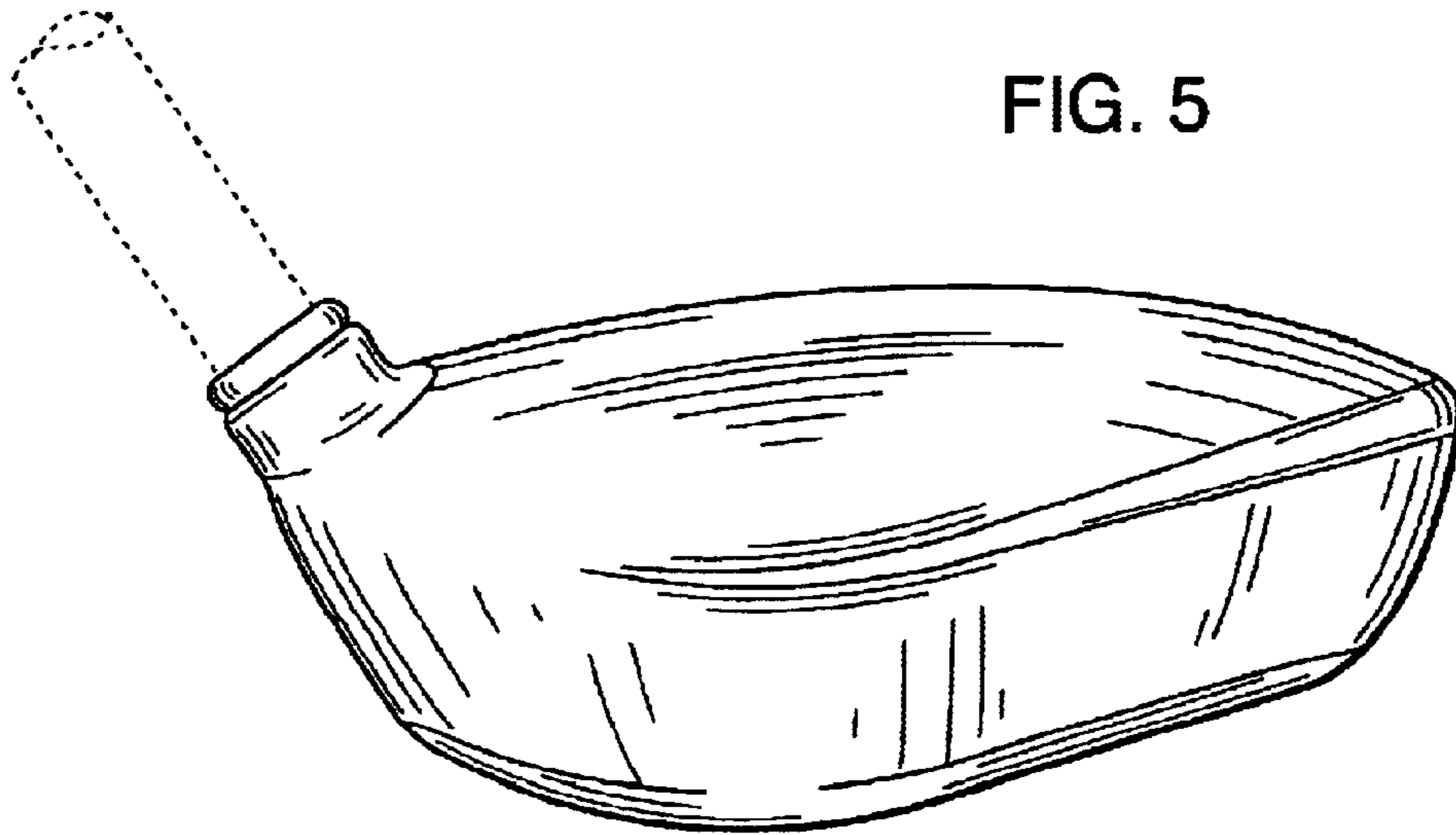


FIG. 5

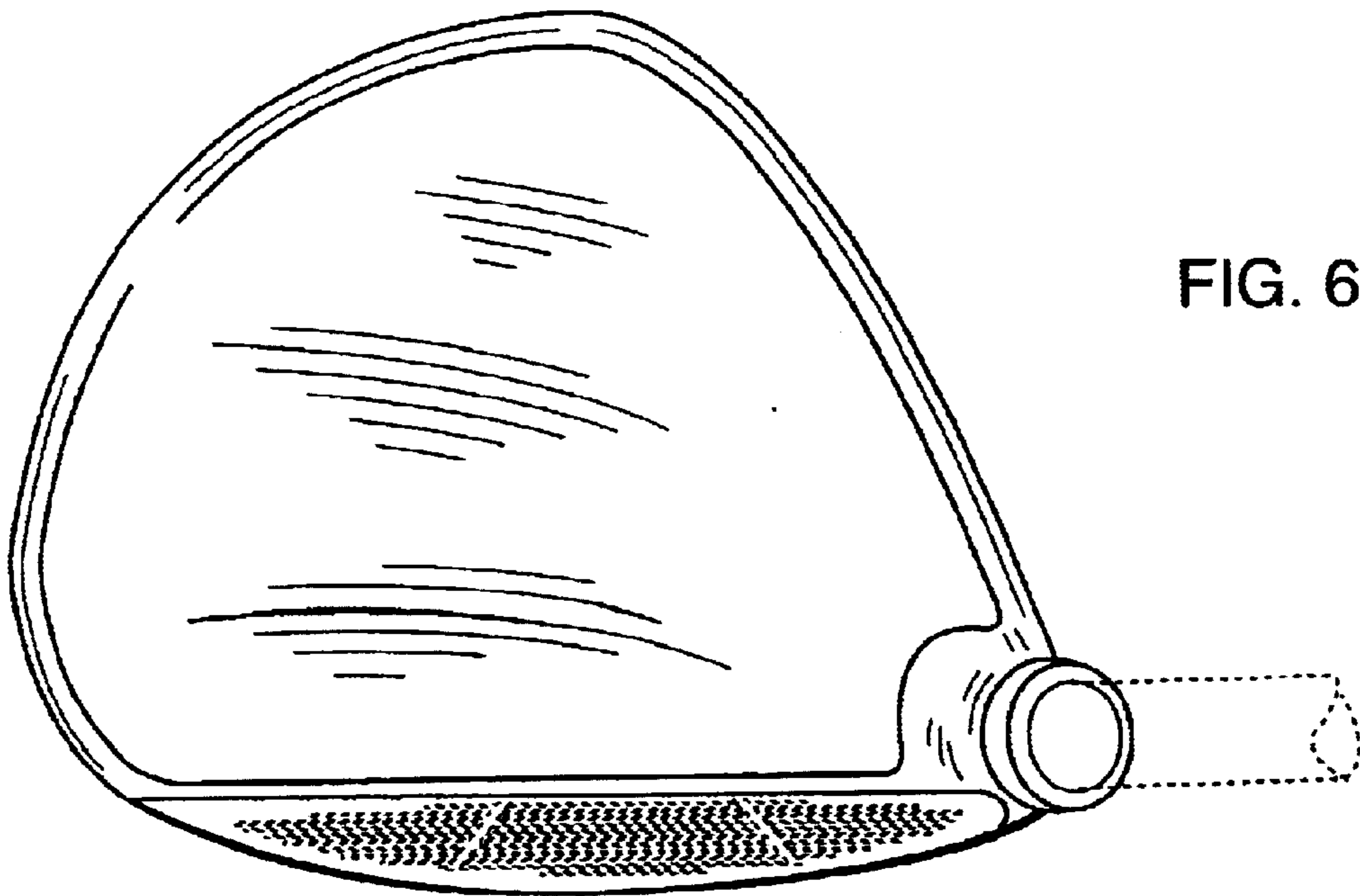


FIG. 6

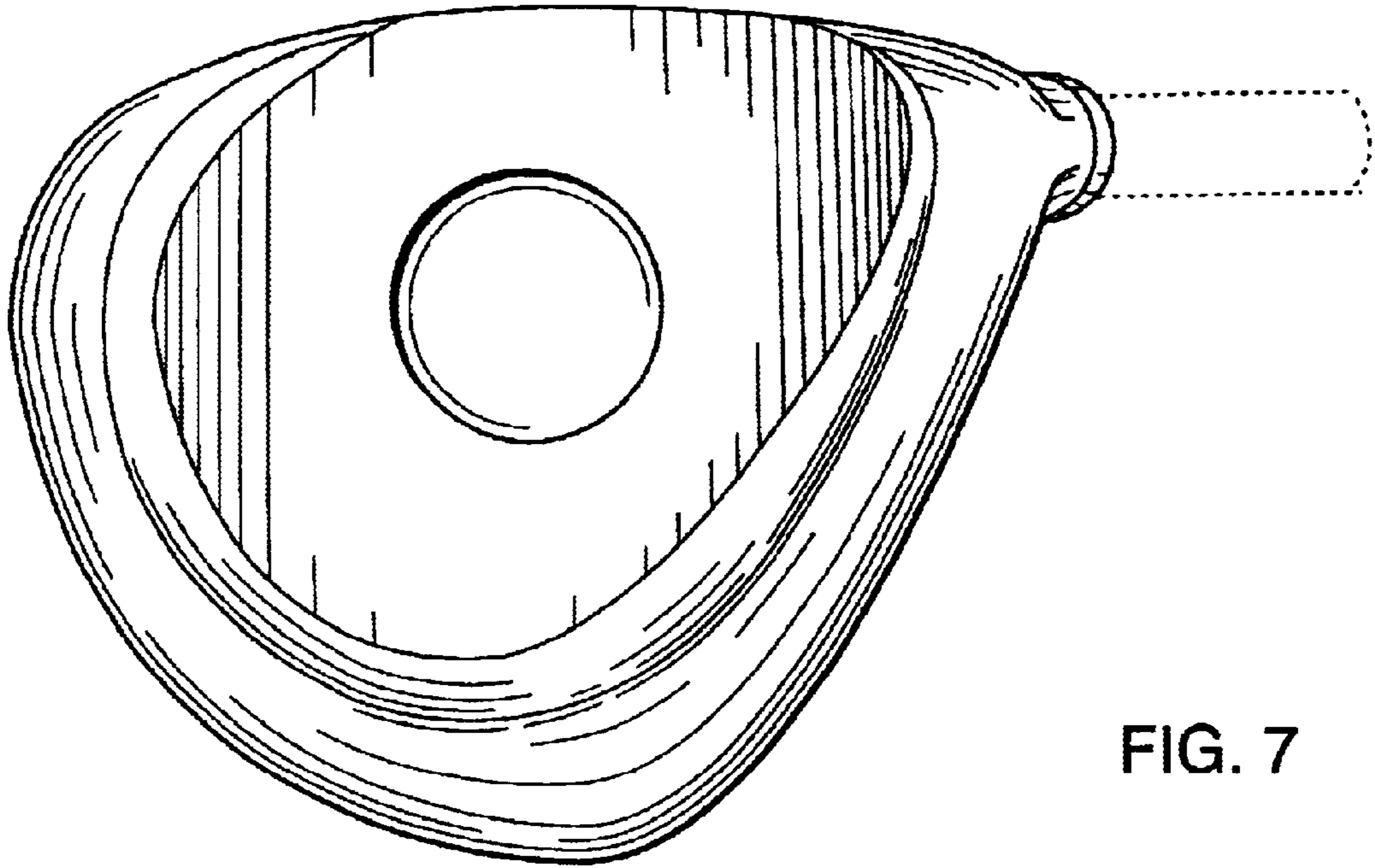


FIG. 7

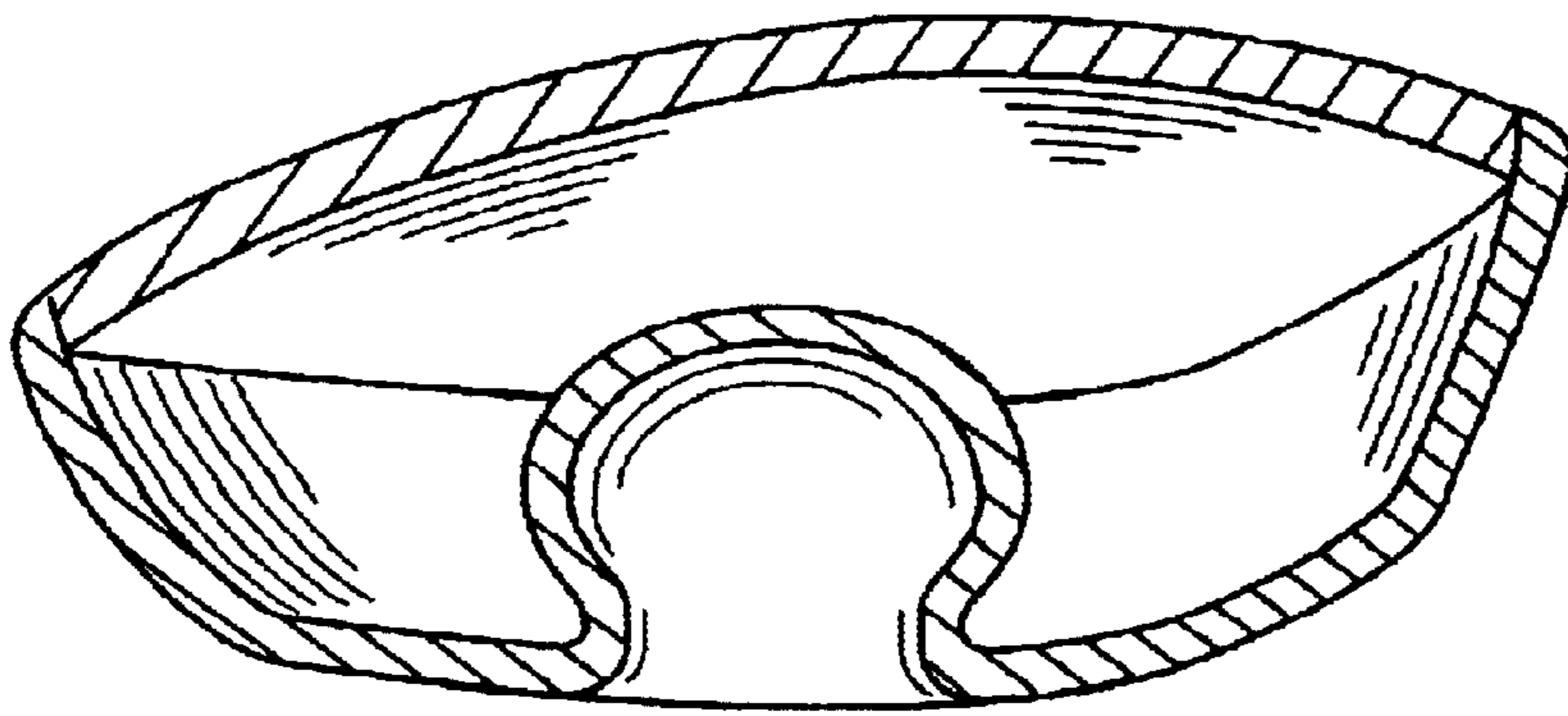


FIG. 8