



US00D490868S

(12) **United States Design Patent**
Tornabene

(10) **Patent No.:** **US D490,868 S**
(45) **Date of Patent:** **** Jun. 1, 2004**

(54) **MULTIFUNCTION ROCKING EXERCISE DEVICE**

(76) **Inventor:** **Dean G. Tornabene**, 206 Homewood Rd., Los Angeles, CA (US) 90049

(**) **Term:** **14 Years**

(21) **Appl. No.:** **29/175,138**

(22) **Filed:** **Jan. 30, 2003**

(51) **LOC (7) Cl.** **21-02**

(52) **U.S. Cl.** **D21/690; D21/688**

(58) **Field of Search** **D21/662, 686, D21/687, 688, 690; 482/140, 142, 143, 130, 133, 135, 136**

(56) **References Cited**

U.S. PATENT DOCUMENTS

4,566,693	A	*	1/1986	Seidentop et al.	482/144
4,867,143	A	*	9/1989	Morin	606/244
5,575,745	A	*	11/1996	Lin	482/144
5,599,261	A	*	2/1997	Easley et al.	482/130
5,718,660	A	*	2/1998	Chen	482/144

5,769,766	A	*	6/1998	Huang	482/140
6,123,653	A	*	9/2000	Huang	482/142
6,168,557	B1	*	1/2001	Liao	482/140
6,258,016	B1	*	7/2001	Kuo	482/142
6,428,450	B1	*	8/2002	Ho et al.	482/140

* cited by examiner

Primary Examiner—Philip S. Hyder

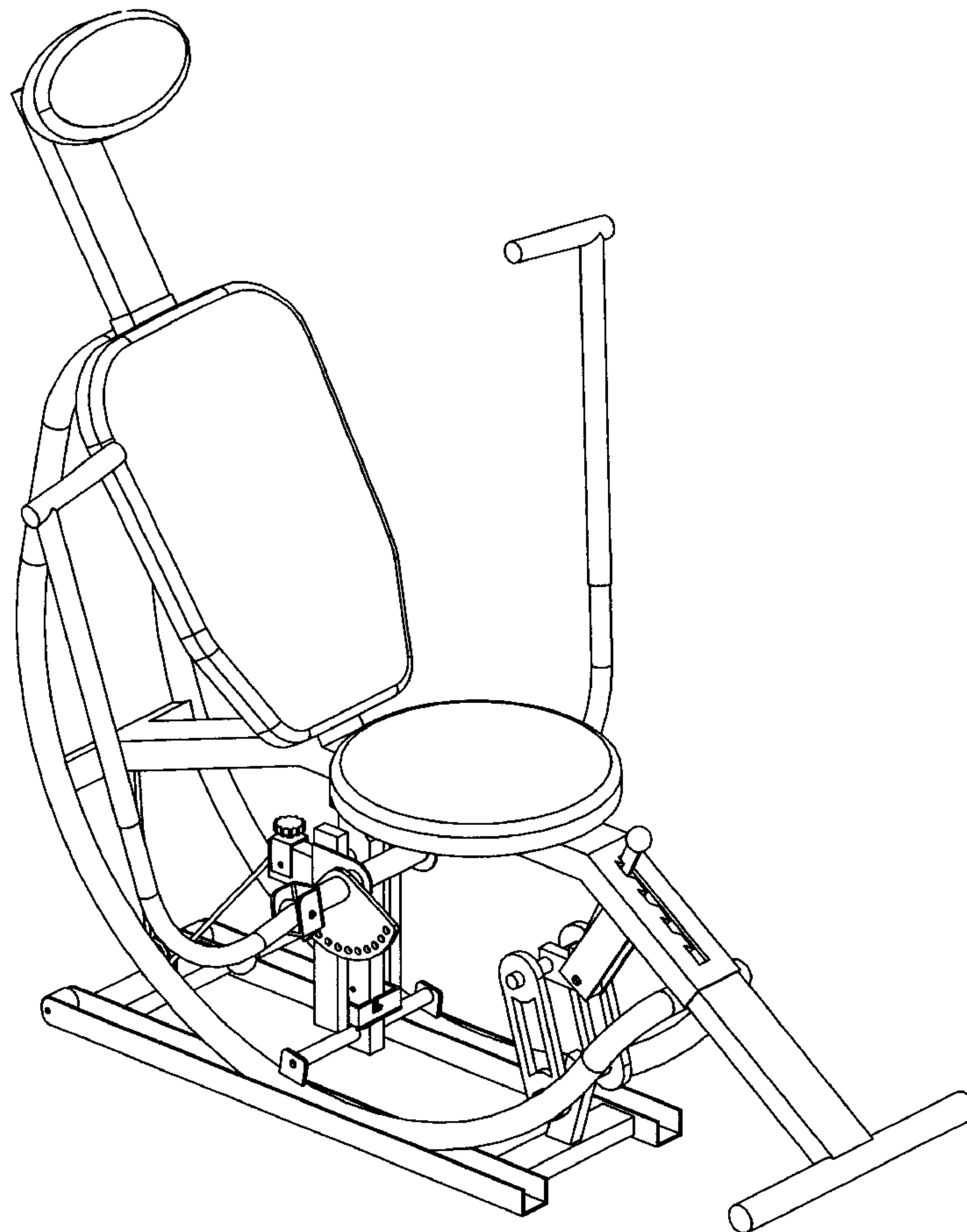
(57) **CLAIM**

The ornamental design for a multifunction rocking exercise device, as shown and described.

DESCRIPTION

FIG. 1 is a front right side isometric view of a multifunction rocking exercise device showing my new design; FIG. 2 is a rear right side isometric view thereof; FIG. 3 is a front view thereof; FIG. 4 is a right side view thereof; FIG. 5 is a rear view thereof; FIG. 6 is left side view thereof; and, FIG. 7 is a top view thereof.

1 Claim, 7 Drawing Sheets



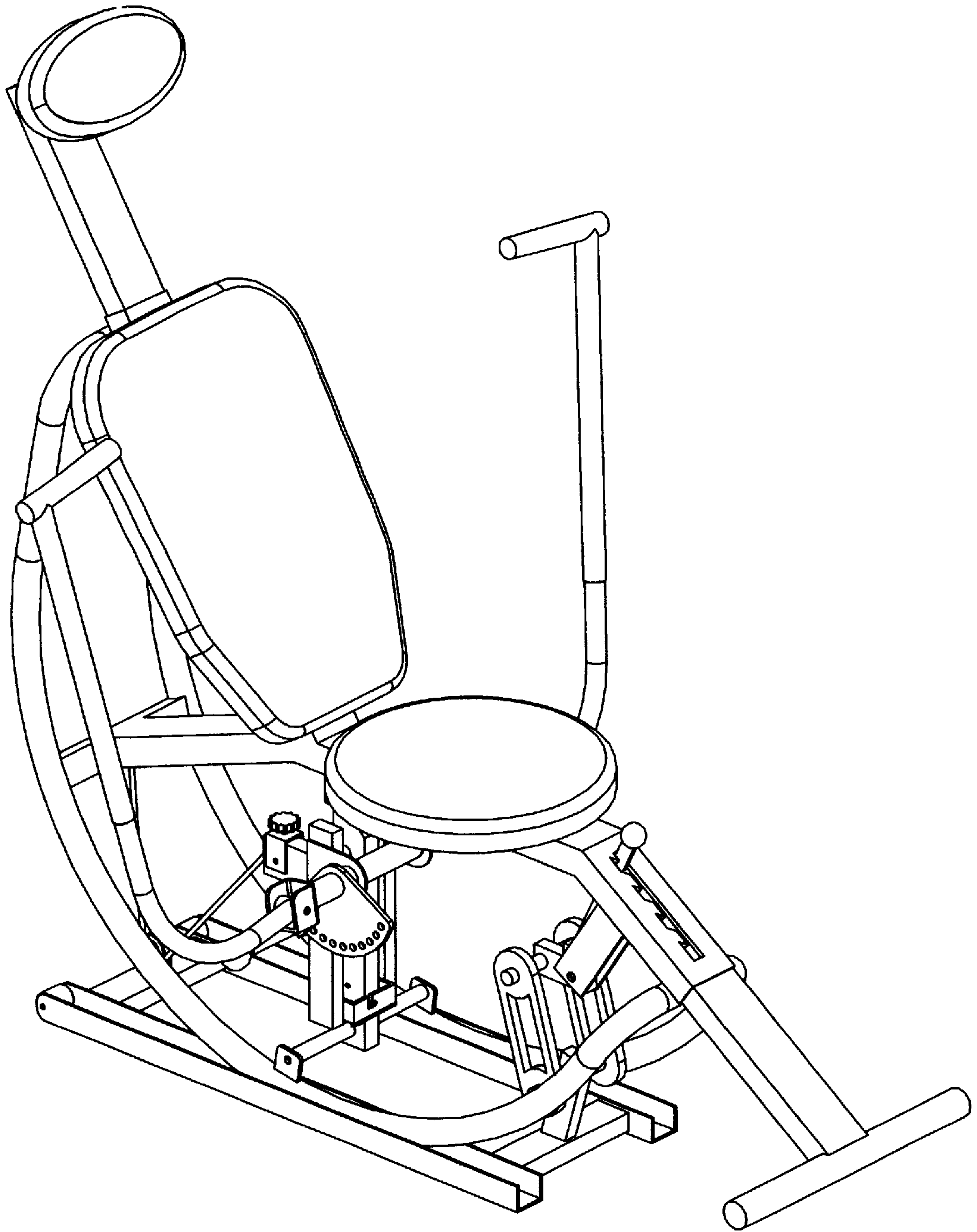


Fig. 1

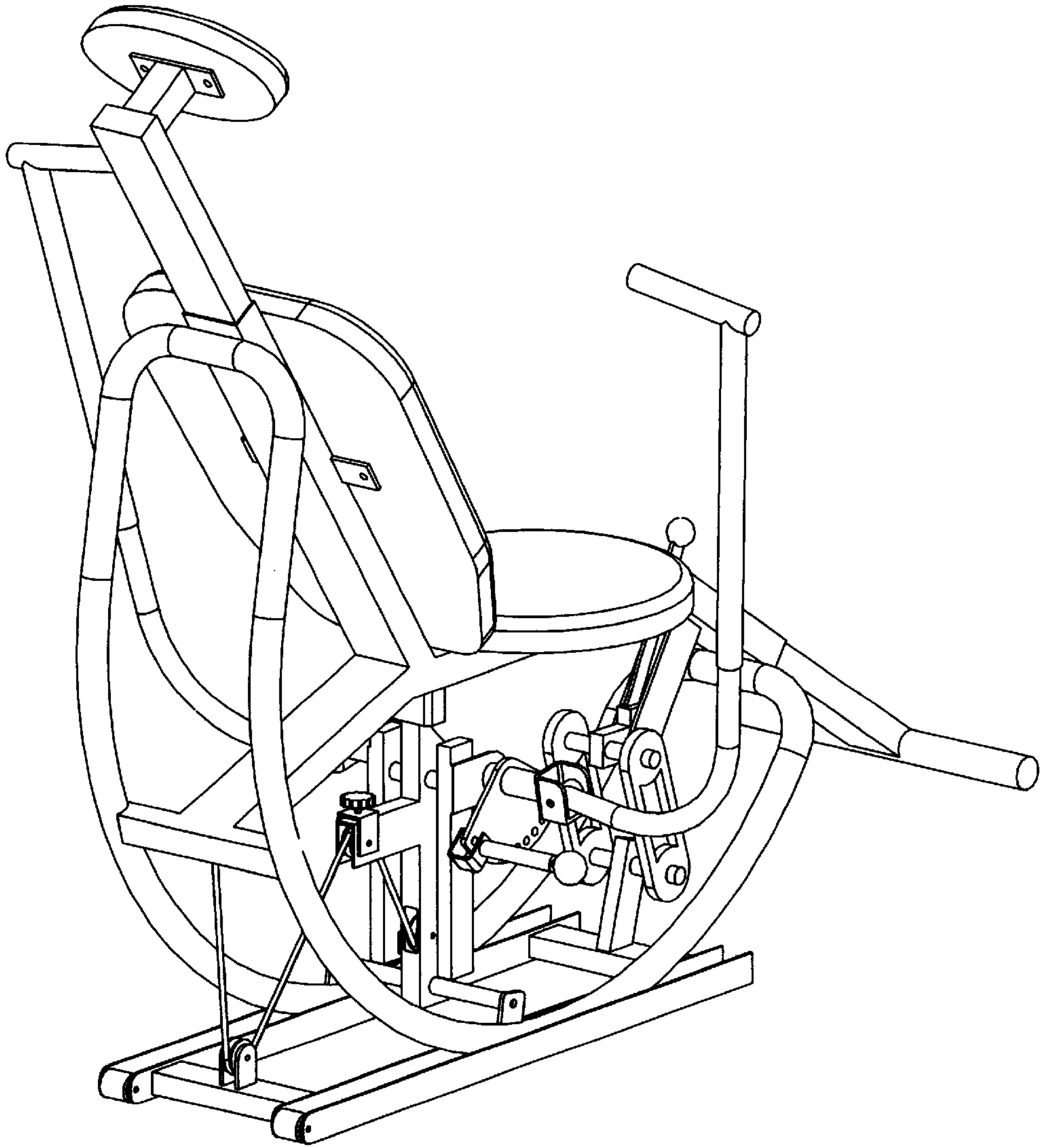


Fig. 2

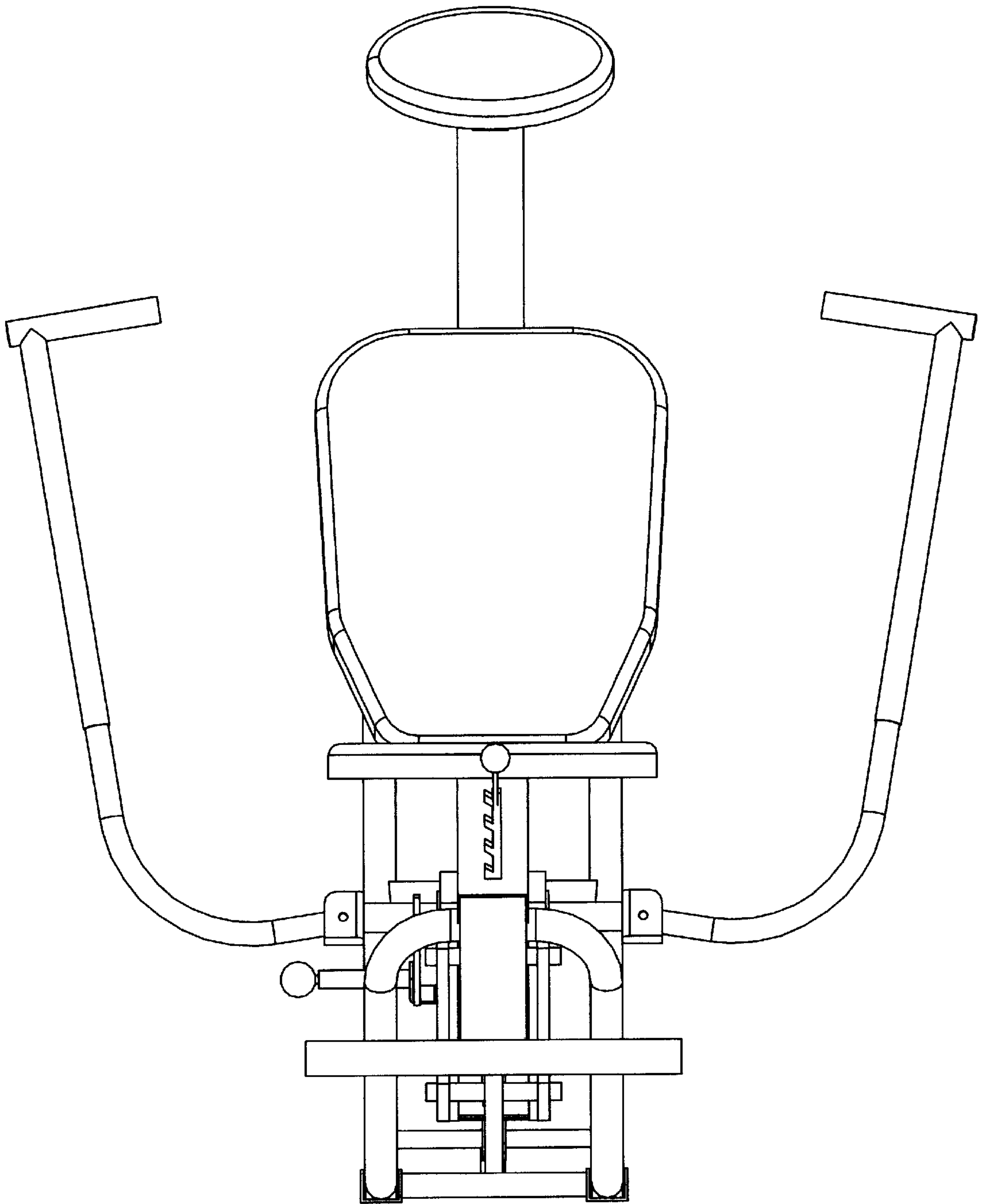


Fig. 3

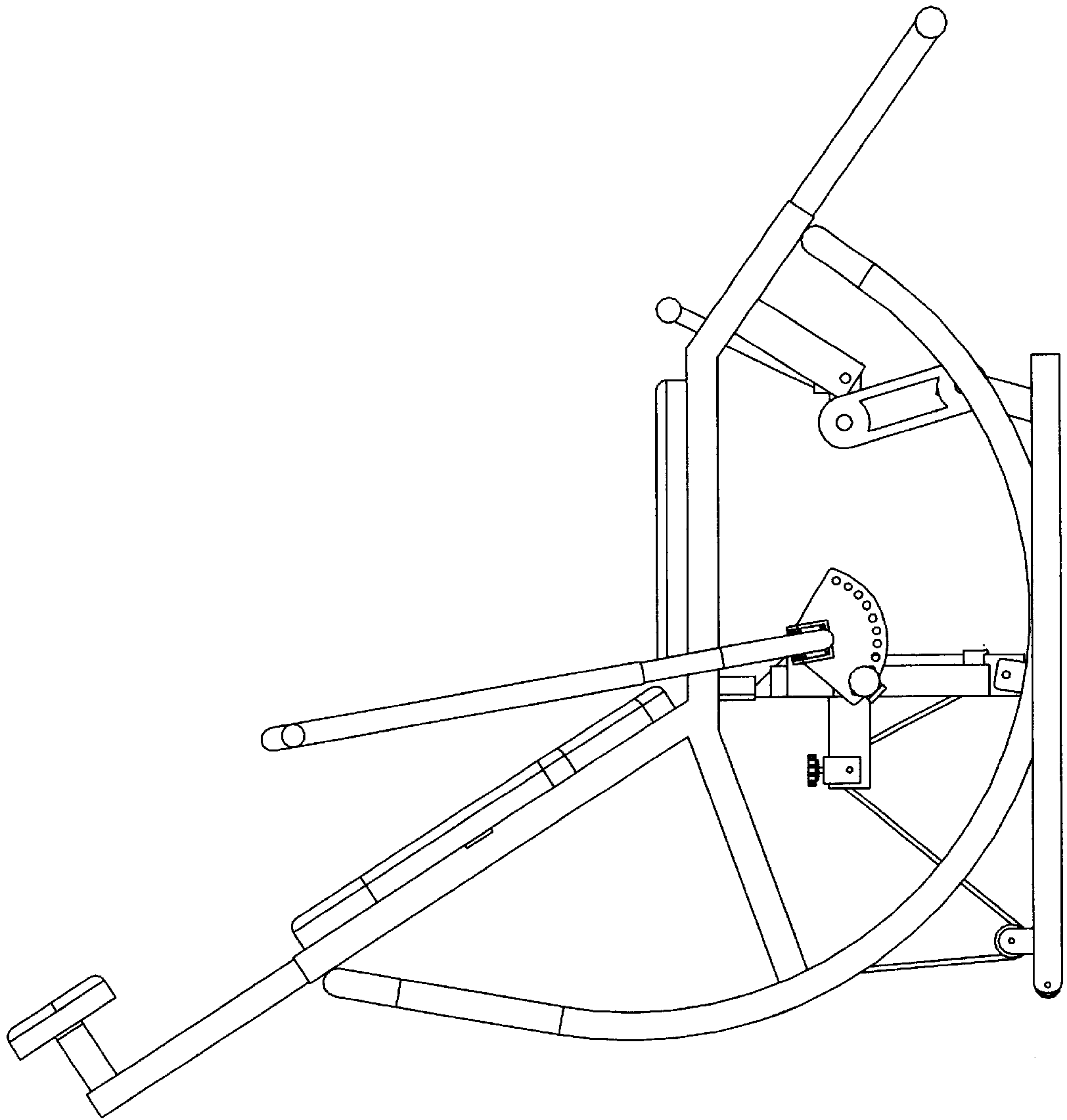


Fig. 4

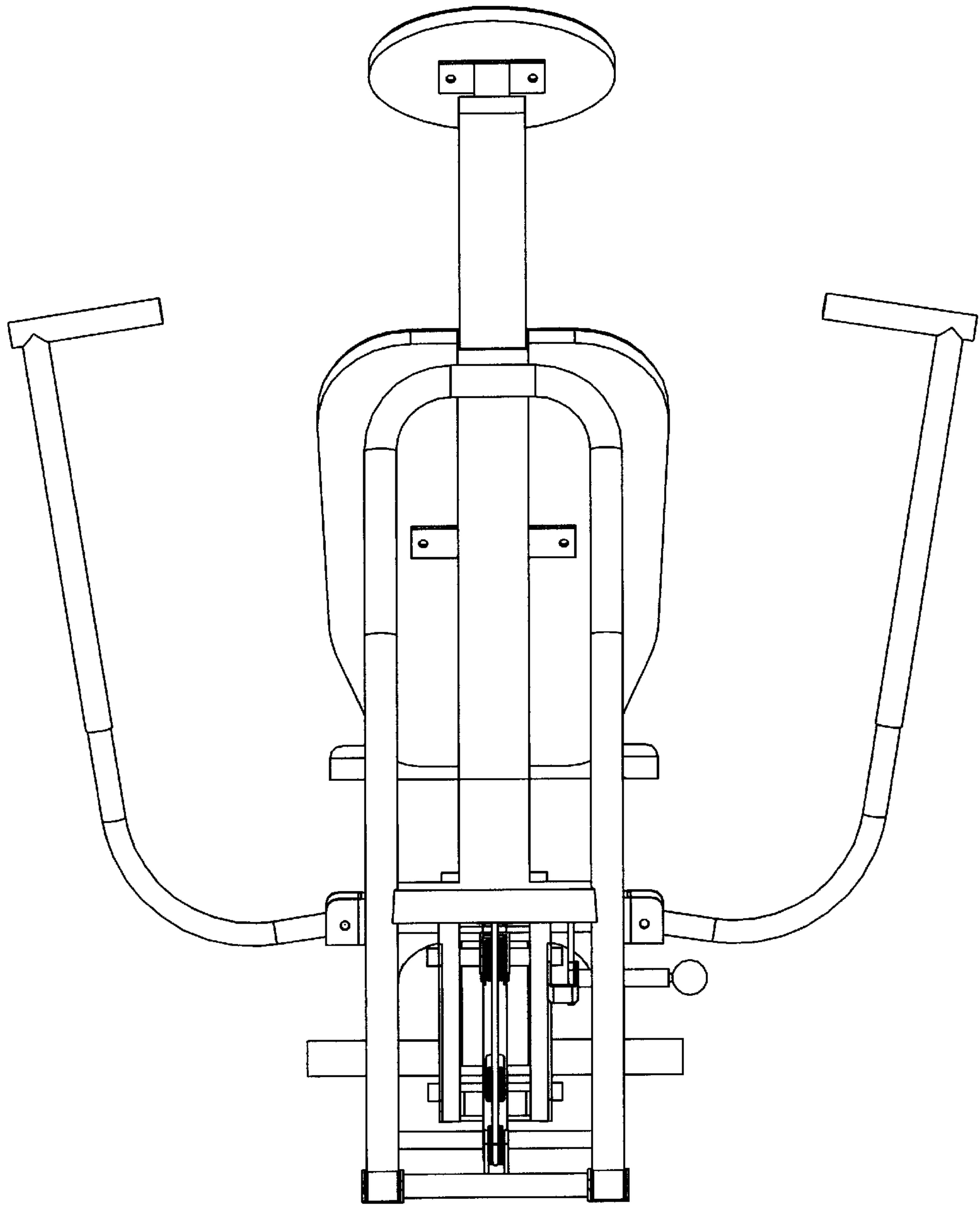


Fig. 5

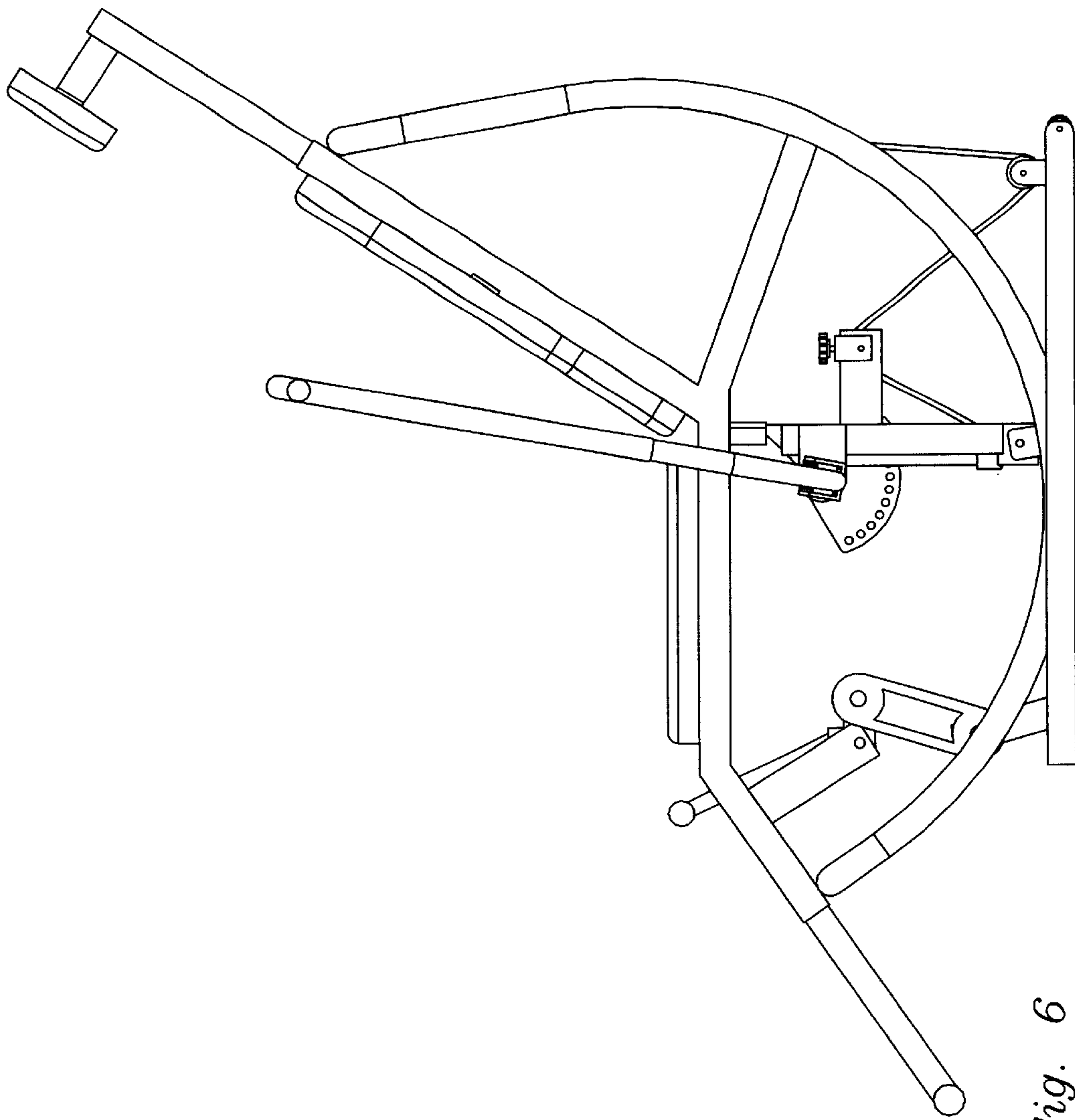


Fig. 6

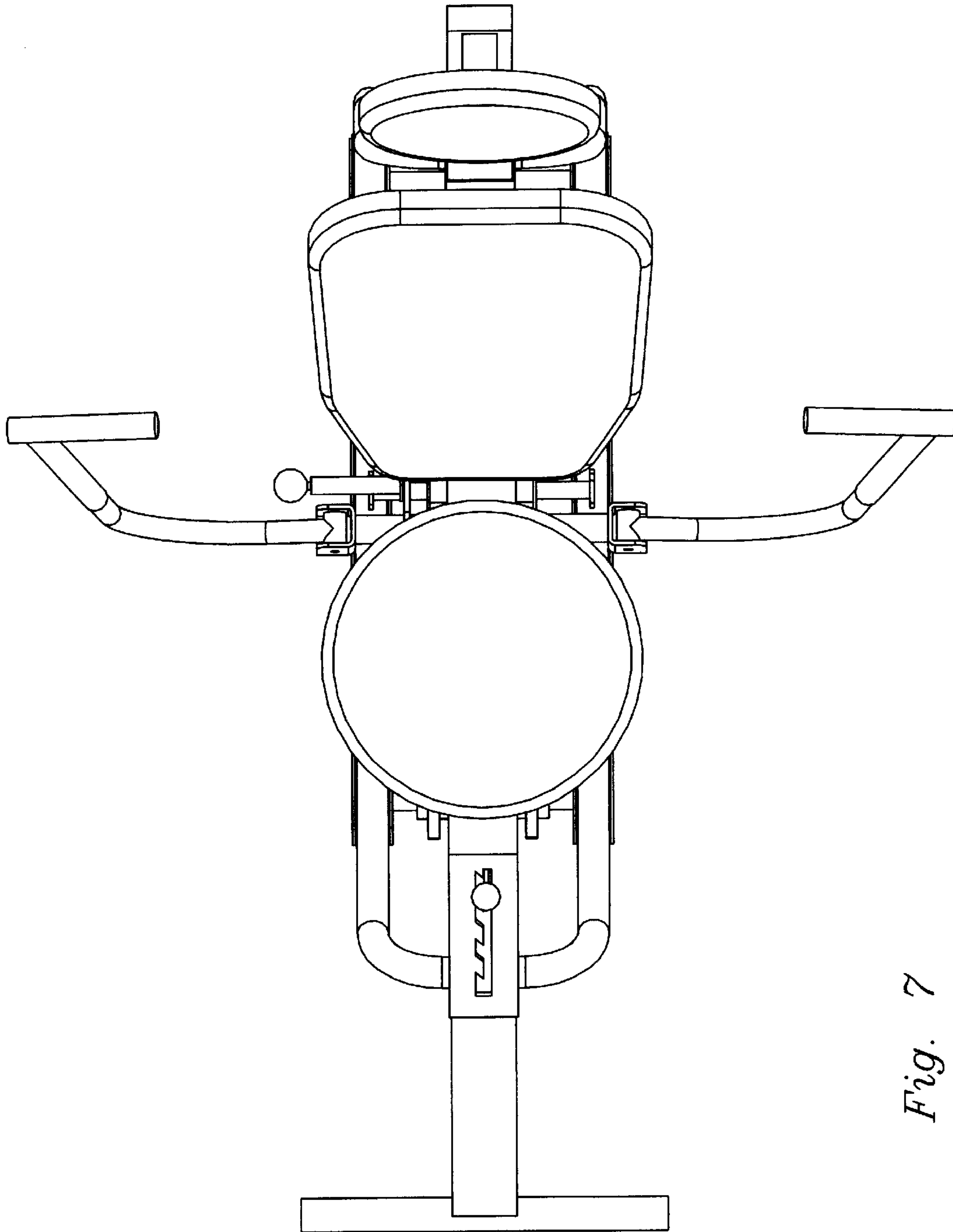


Fig. 7