



US00D490867S

(12) **United States Design Patent**  
**Chen**

(10) **Patent No.:** **US D490,867 S**

(45) **Date of Patent:** **\*\* Jun. 1, 2004**

(54) **EXERCISE DEVICE**

(76) Inventor: **Chin Hsiang Chen**, No. 23, Lane Juyi,  
Changyi 1st St., Taiping City, Taichung  
County (TW)

(\*\*) Term: **14 Years**

(21) Appl. No.: **29/186,890**

(22) Filed: **Jul. 24, 2003**

(30) **Foreign Application Priority Data**

Jan. 30, 2003 (TW) ..... 92300767

(51) **LOC (7) Cl.** ..... **21-02**

(52) **U.S. Cl.** ..... **D21/676**

(58) **Field of Search** ..... D21/673, 674,  
D21/675, 676, 686, 690; 482/95, 96, 97,  
130, 133, 142, 98

(56) **References Cited**

**U.S. PATENT DOCUMENTS**

- D320,245 S \* 9/1991 Fitzpatrick ..... D21/676
- D372,509 S \* 8/1996 Yang ..... D21/676
- D375,534 S \* 11/1996 Lin ..... D21/674

- 5,580,340 A \* 12/1996 Yu ..... 482/96
- 5,676,626 A \* 10/1997 Huang ..... 482/96
- 5,690,593 A \* 11/1997 Huang ..... 482/96
- 5,722,917 A \* 3/1998 Olschansky et al. .... 482/72
- 5,997,446 A \* 12/1999 Stearns ..... 482/96
- 6,149,552 A \* 11/2000 Chen ..... 482/72
- 6,162,153 A \* 12/2000 Perez et al. .... 482/96

\* cited by examiner

*Primary Examiner*—Philip S. Hyder

(74) *Attorney, Agent, or Firm*—Rosenberg, Klein & Lee

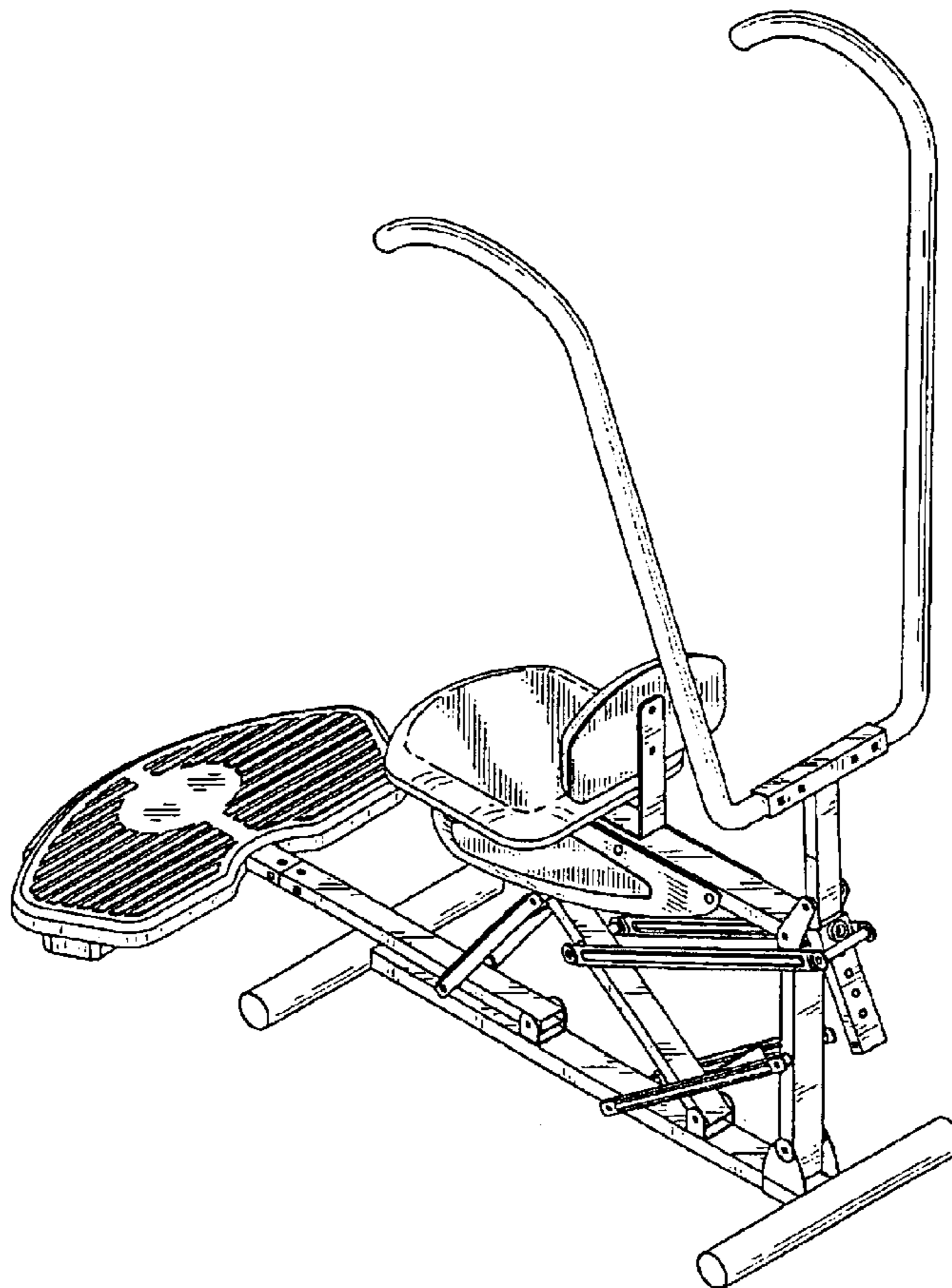
(57) **CLAIM**

The ornamental design for an exercise device, as shown.

**DESCRIPTION**

FIG. 1 is a perspective view of an exercise device showing my new design;  
 FIG. 2 is a front elevational view thereof;  
 FIG. 3 is a rear elevational view thereof;  
 FIG. 4 is a left side view thereof;  
 FIG. 5 is a right side view thereof;  
 FIG. 6 is a top plain view thereof; and,  
 FIG. 7 is a bottom plain view thereof.

**1 Claim, 7 Drawing Sheets**



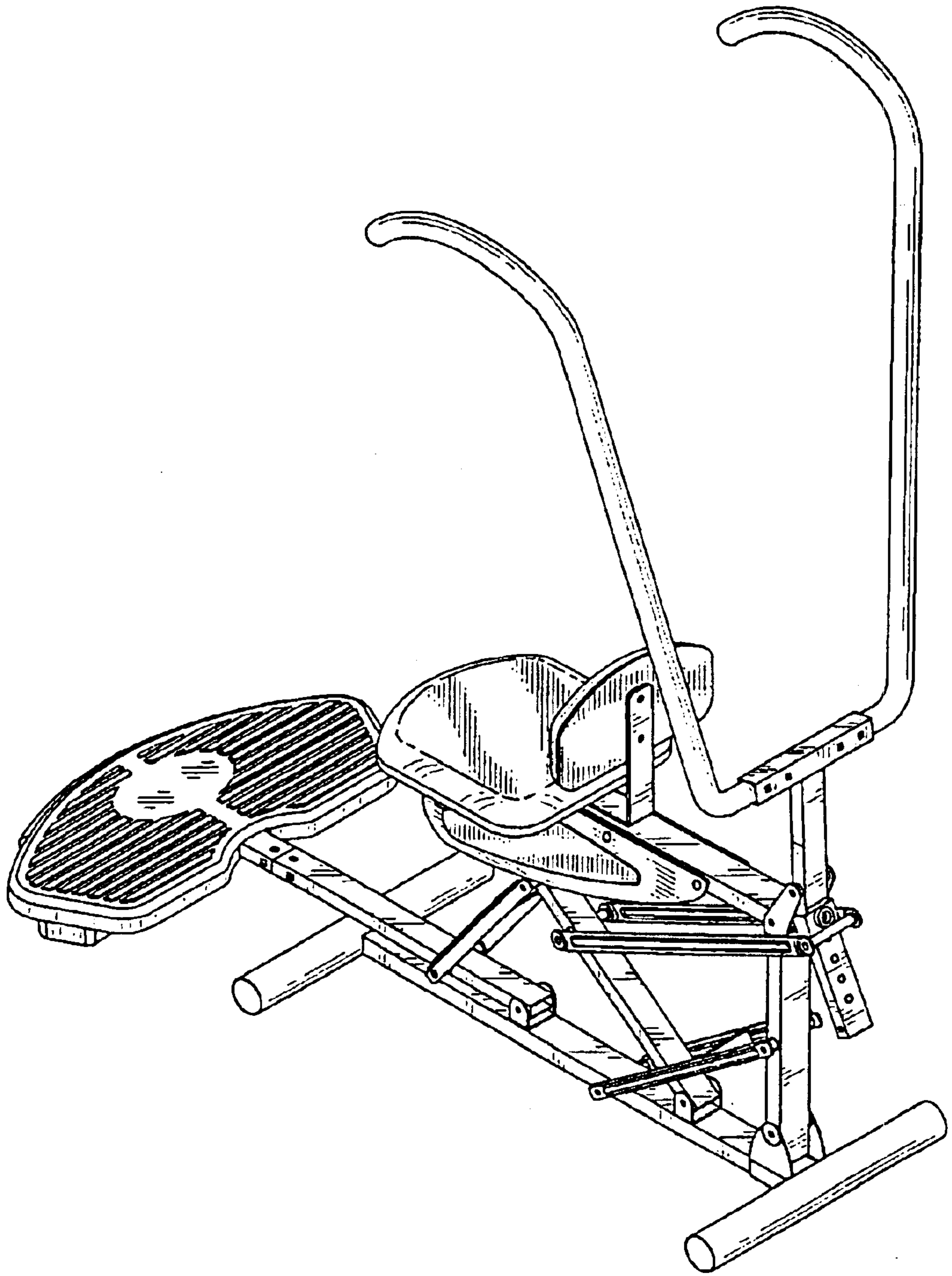


FIG. 1

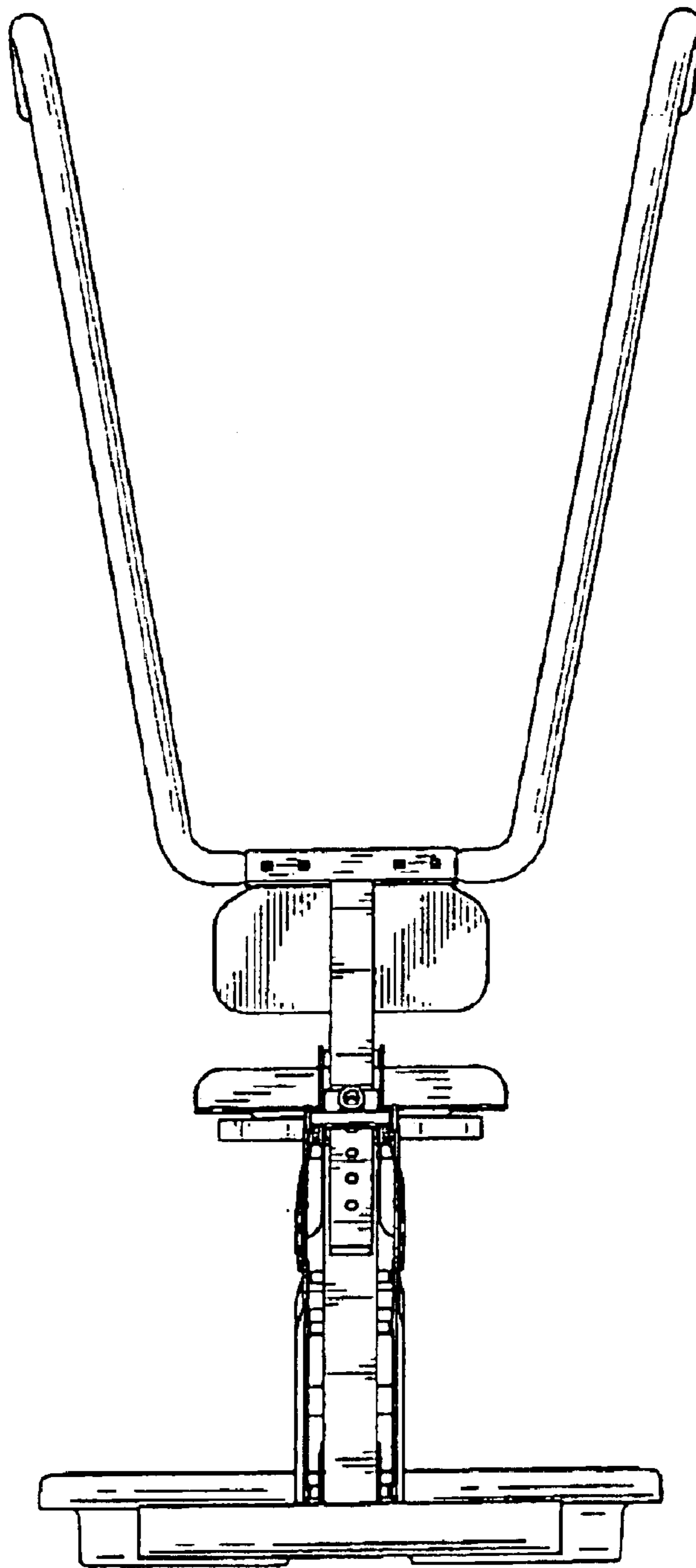


FIG. 2

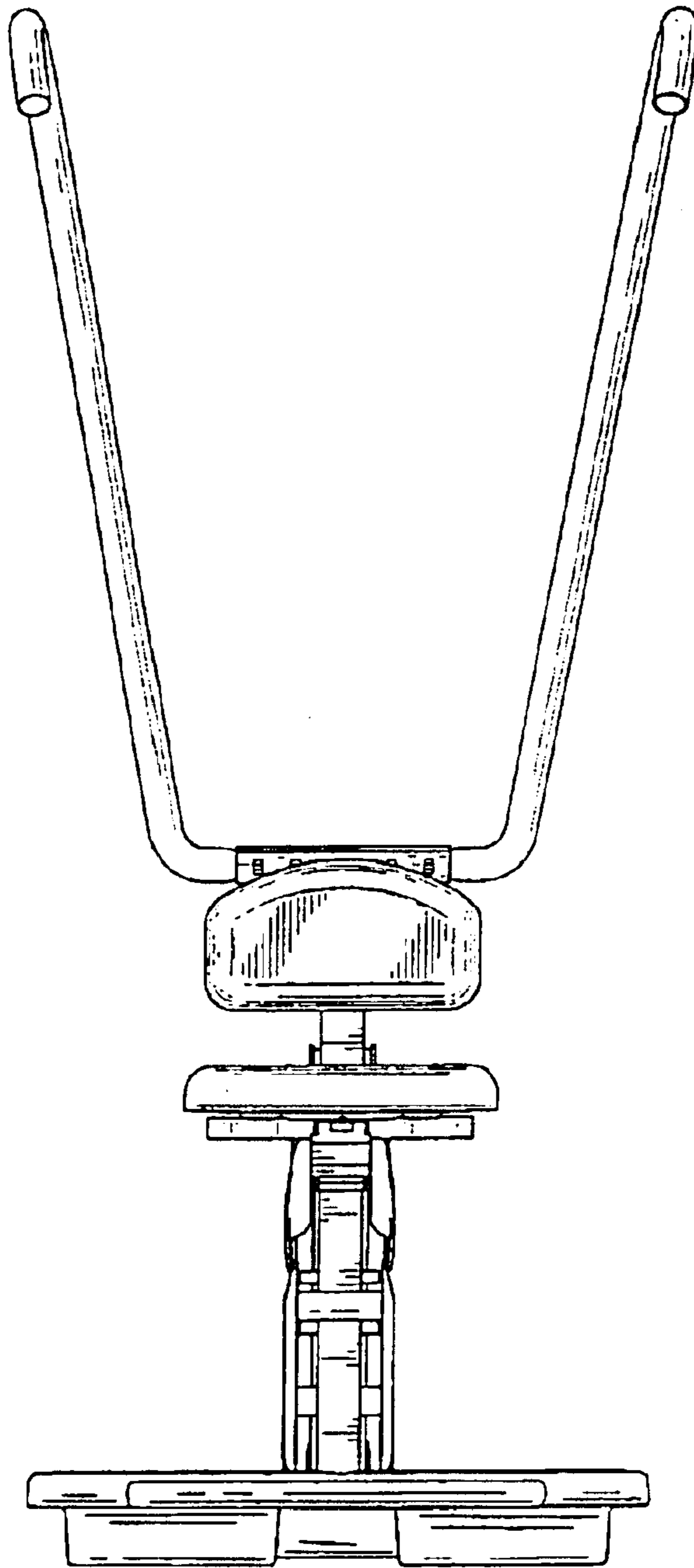


FIG. 3

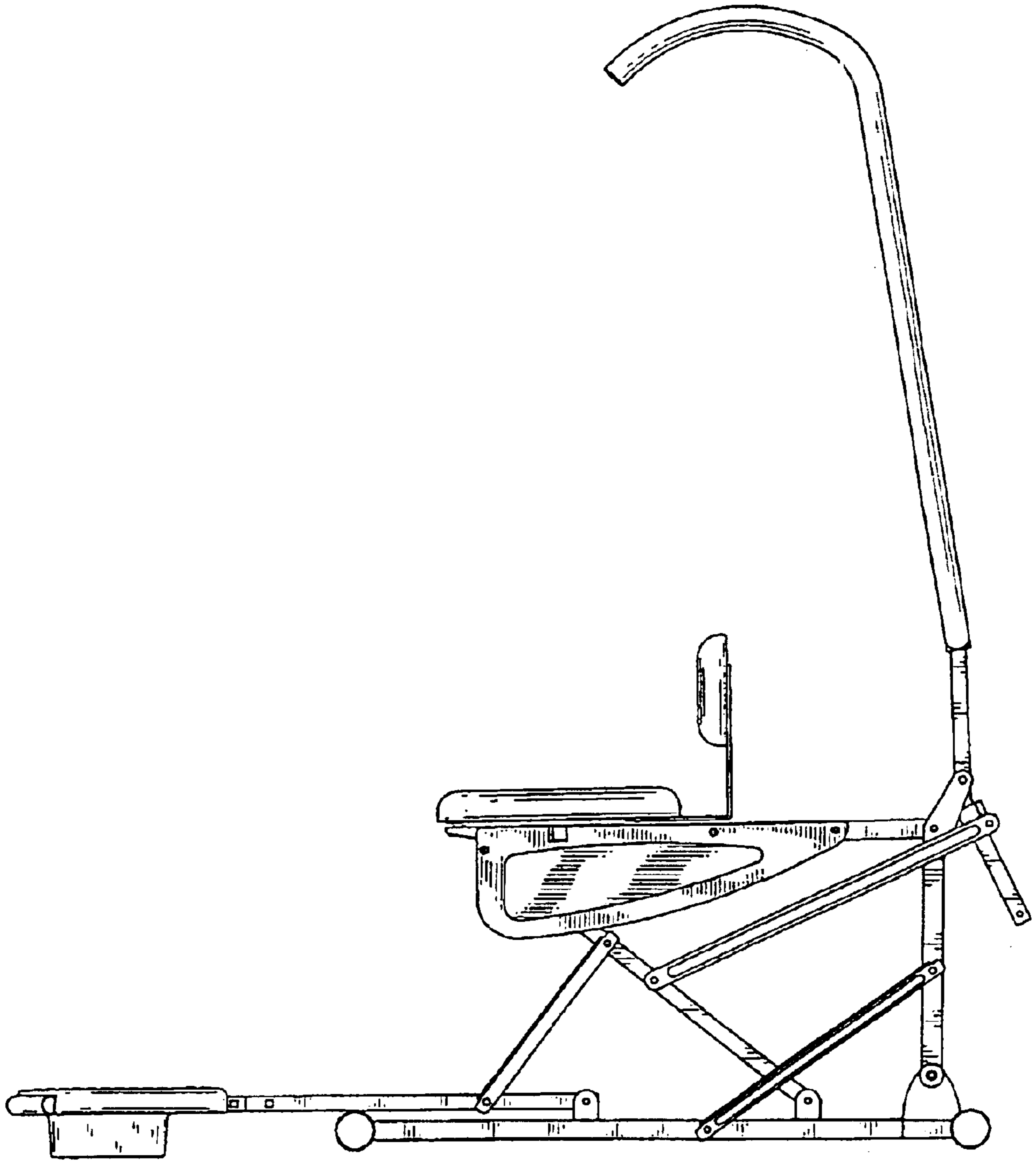


FIG. 4

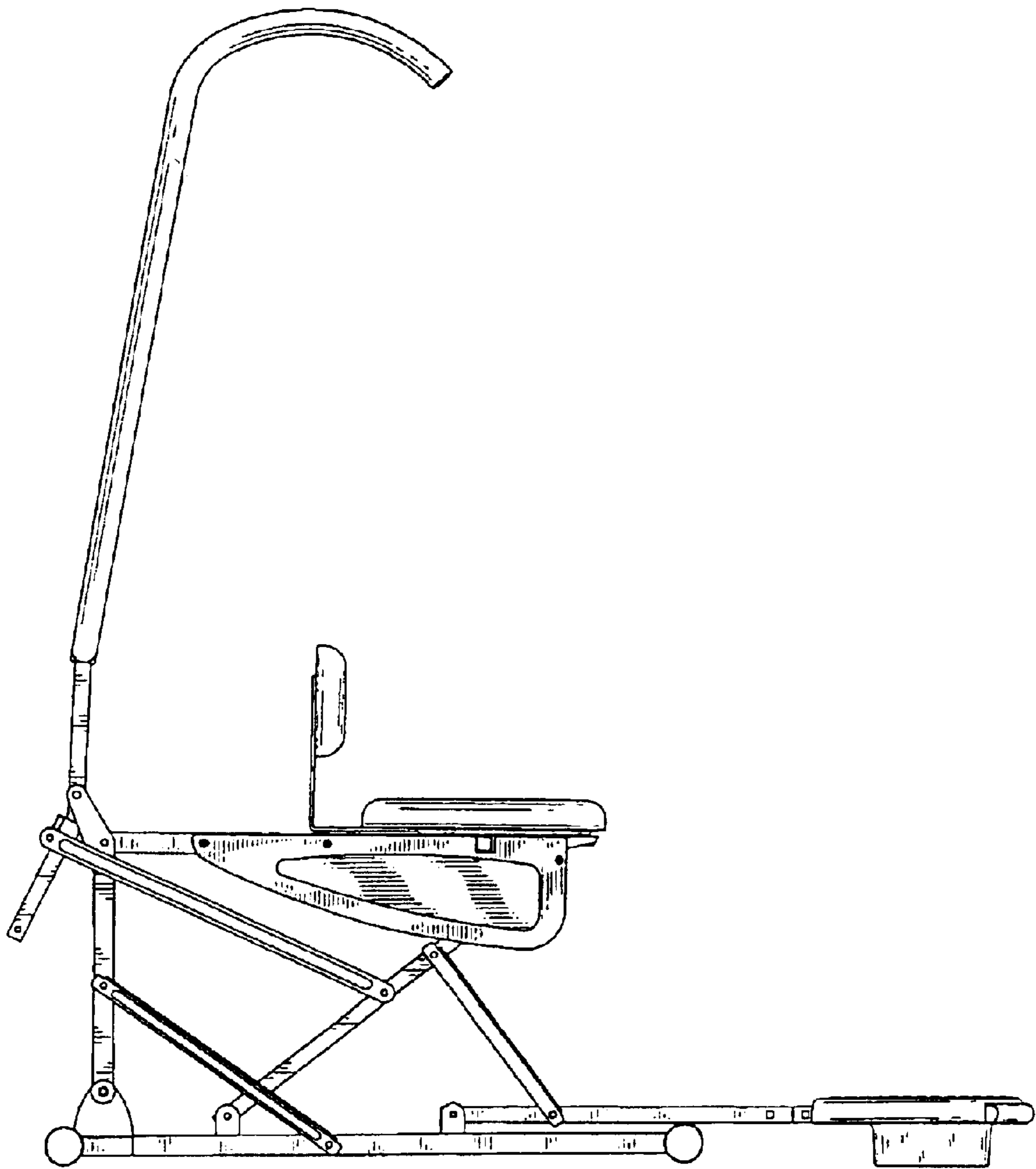


FIG. 5

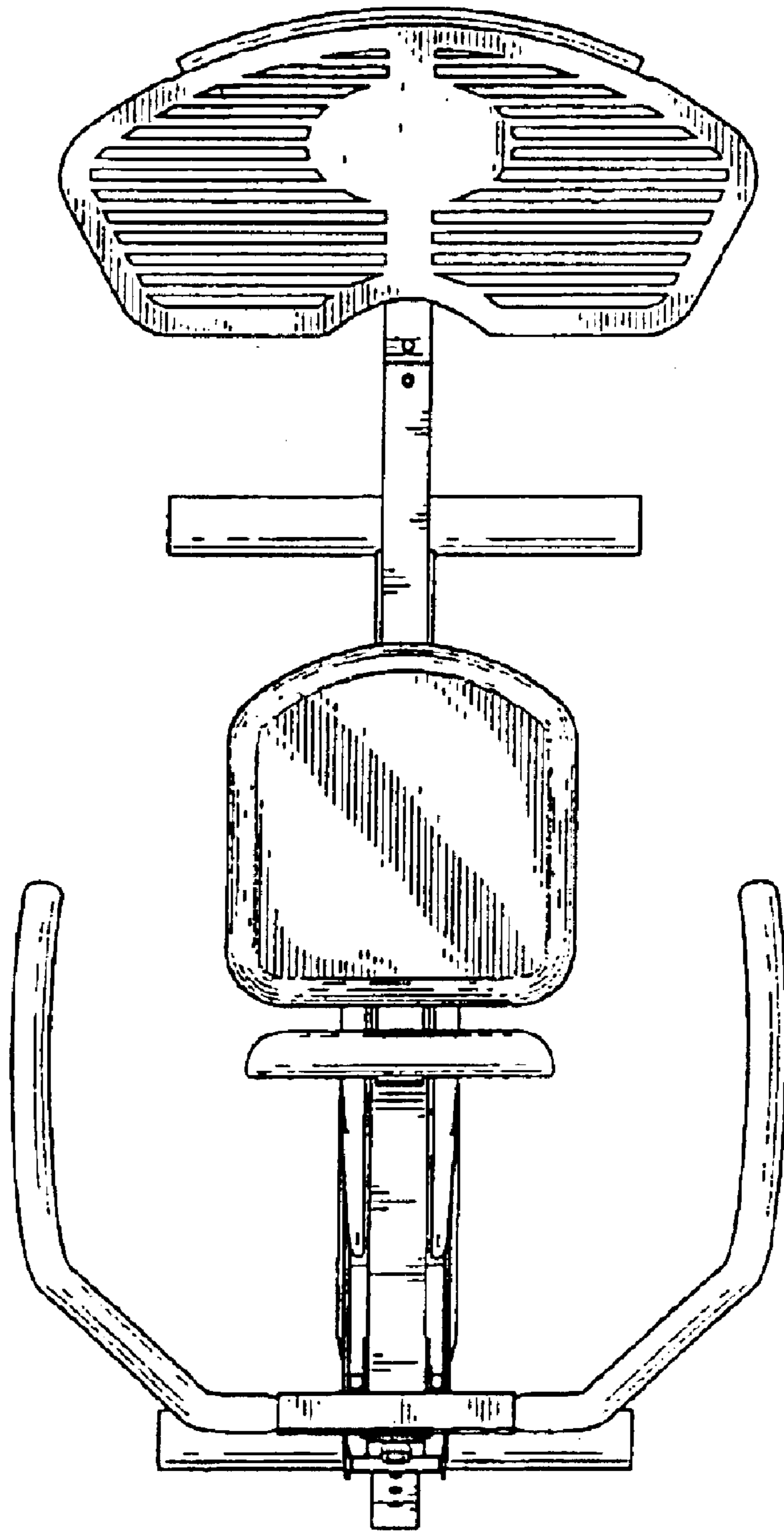


FIG. 6

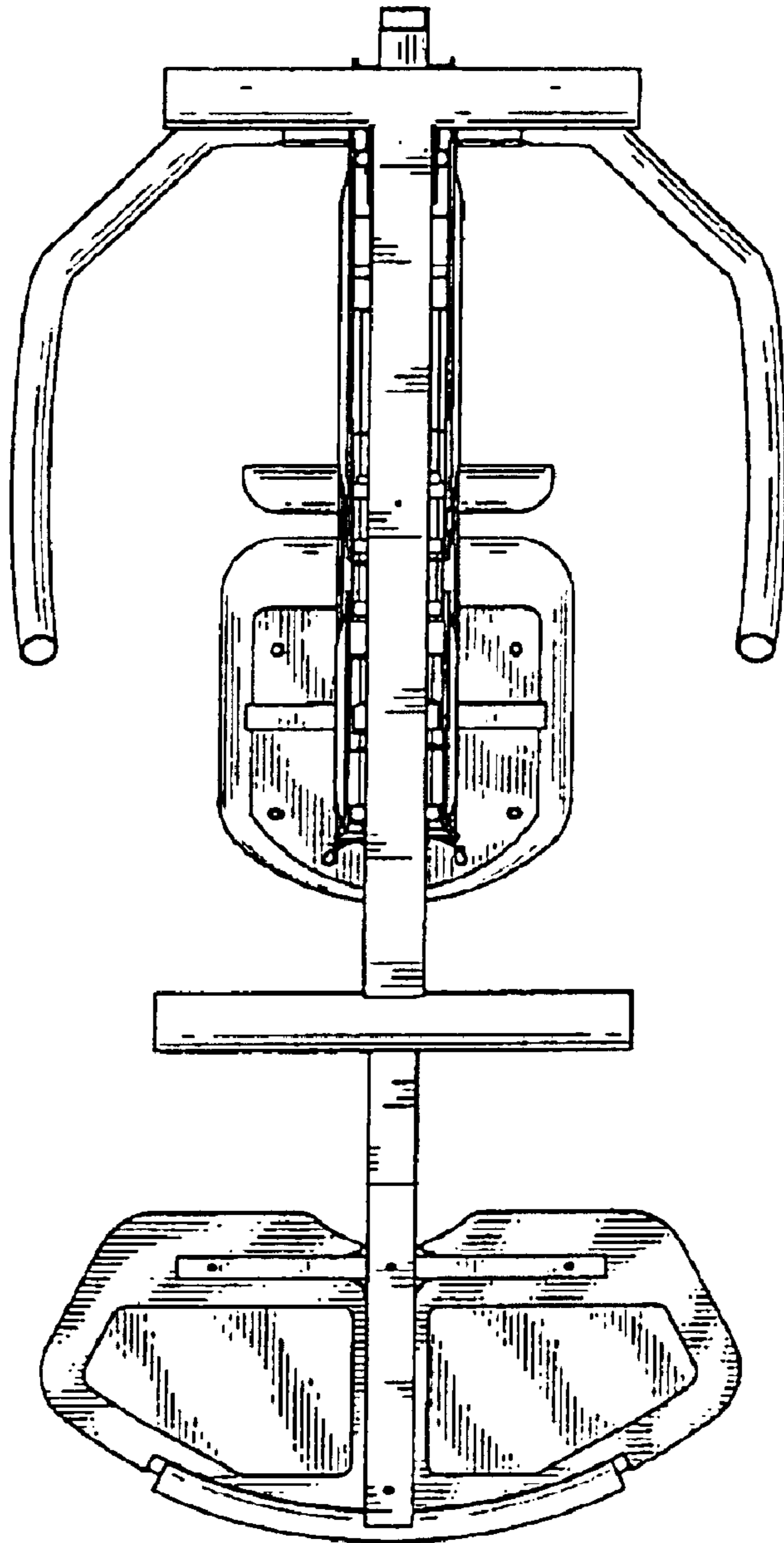


FIG. 7