



US00D490866S

(12) **United States Design Patent**
Powers

(10) **Patent No.:** **US D490,866 S**

(45) **Date of Patent:** **** Jun. 1, 2004**

(54) **TORSO MACHINE**

(76) **Inventor:** **Stephen W. Powers**, 1397 Mustang,
Lewisville, TX (US) 75067

(**) **Term:** **14 Years**

(21) **Appl. No.:** **29/179,573**

(22) **Filed:** **Apr. 10, 2003**

Related U.S. Application Data

(63) Continuation of application No. 29/158,951, filed on Apr. 11, 2002, now Pat. No. Des. 474,025.

(51) **LOC (7) Cl.** **21-02**

(52) **U.S. Cl.** **D21/676**

(58) **Field of Search** D21/662, 673,
D21/674, 675, 676, 690; 482/111, 112,
123, 129, 130, 133

(56) **References Cited**

U.S. PATENT DOCUMENTS

D281,712 S 12/1985 Stedman D21/676

4,733,860 A 3/1988 Steffee 482/136
D344,993 S 3/1994 Laratta D21/676
6,113,522 A 9/2000 Fontenot 482/111
6,248,047 B1 6/2001 Abdo 482/130

Primary Examiner—Philip S. Hyder
(74) *Attorney, Agent, or Firm*—Craig Hoersten

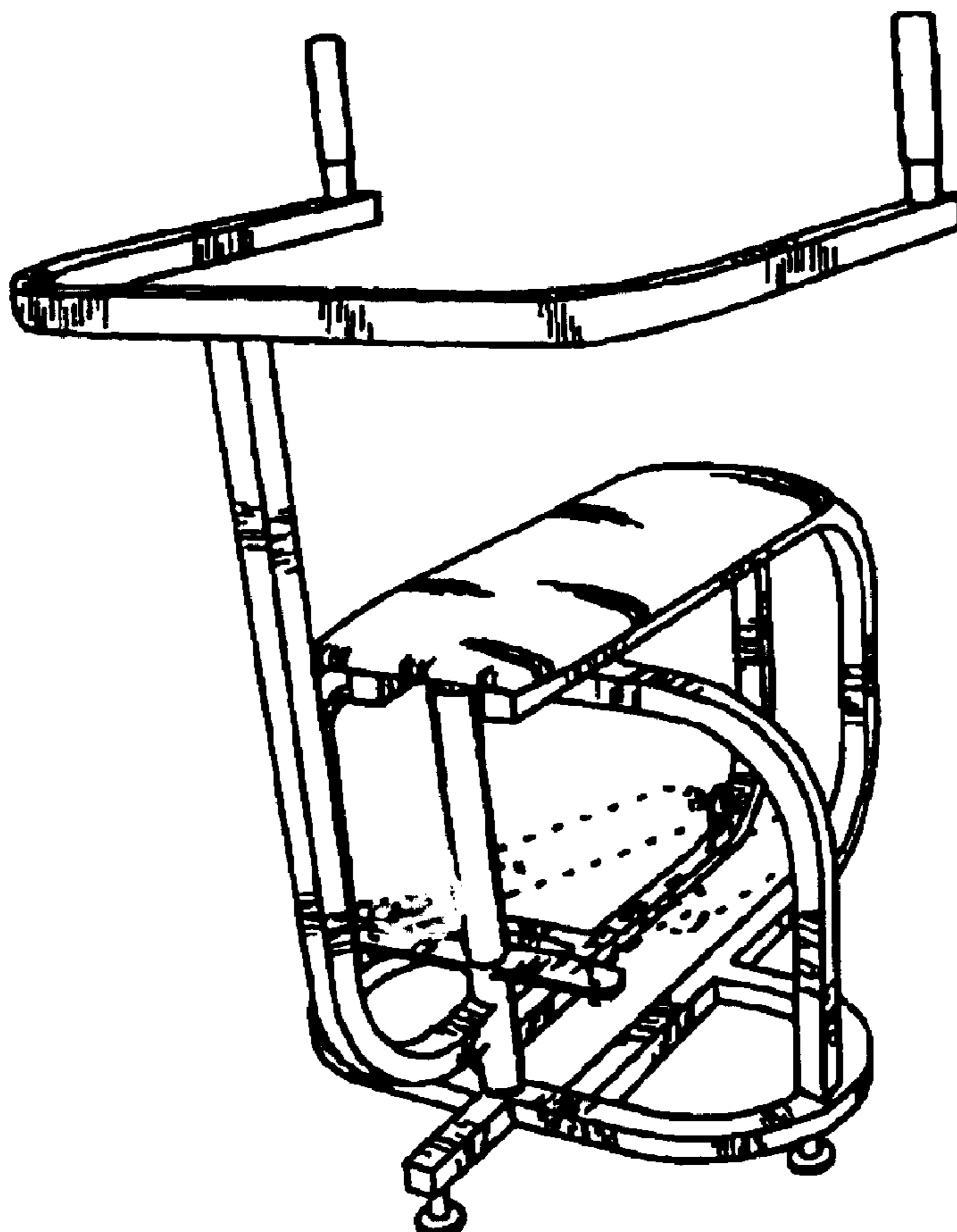
(57) **CLAIM**

The ornamental design for the torso machine, as shown and described.

DESCRIPTION

FIG. 1 is a front perspective view of the present invention; FIG. 2 is a top view of the of the present invention; FIG. 3 is a bottom view of the present invention; FIG. 4 is a left side elevational view of the present invention, the right side elevational view being a mirror image thereof; FIG. 5 is a front elevational view of the present invention; and, FIG. 6 is a rear elevational view of the present invention. The broken line showings of the shocks are for illustrative purposes only and form no part of the claimed design.

1 Claim, 2 Drawing Sheets



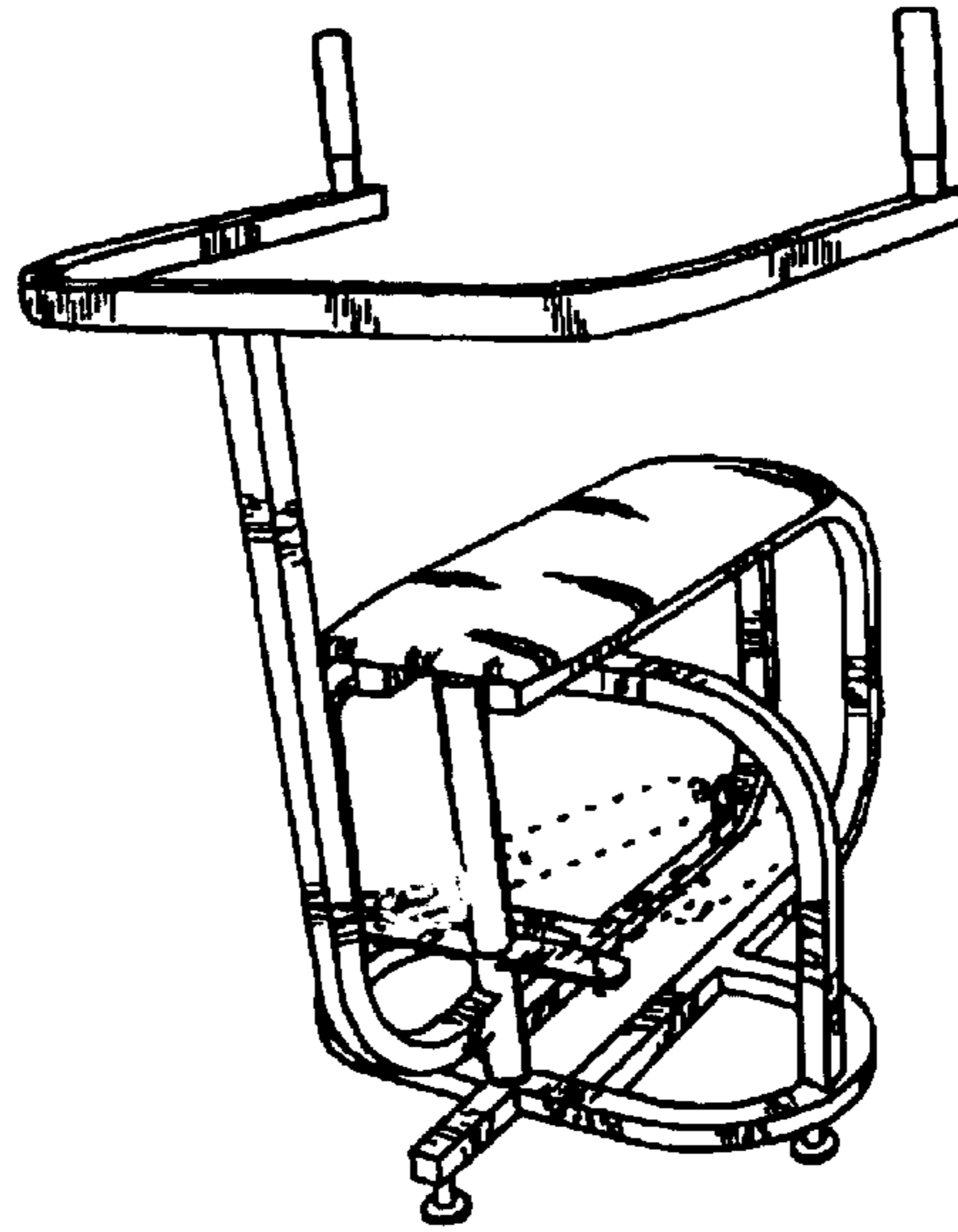


FIGURE 1

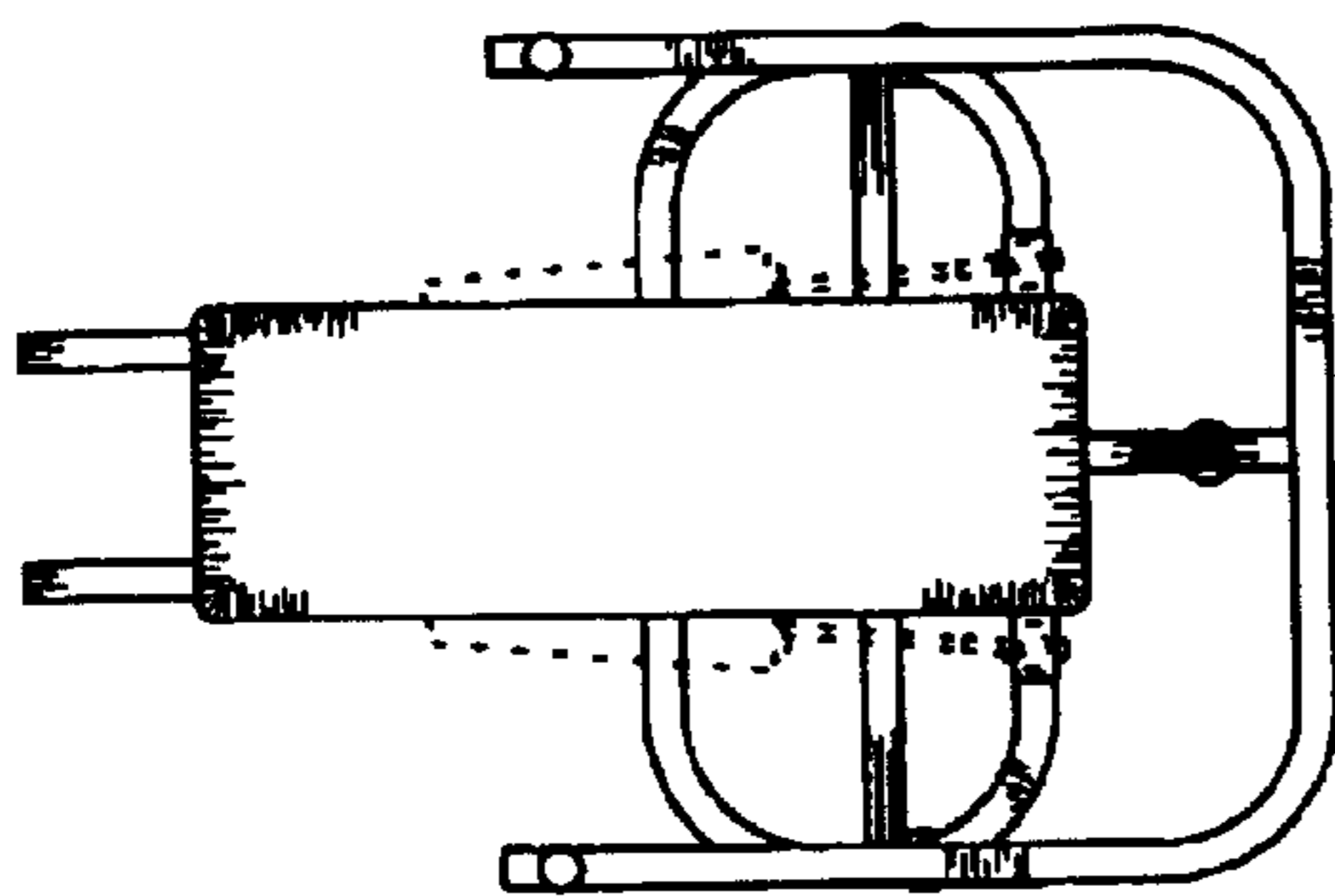


FIGURE 2

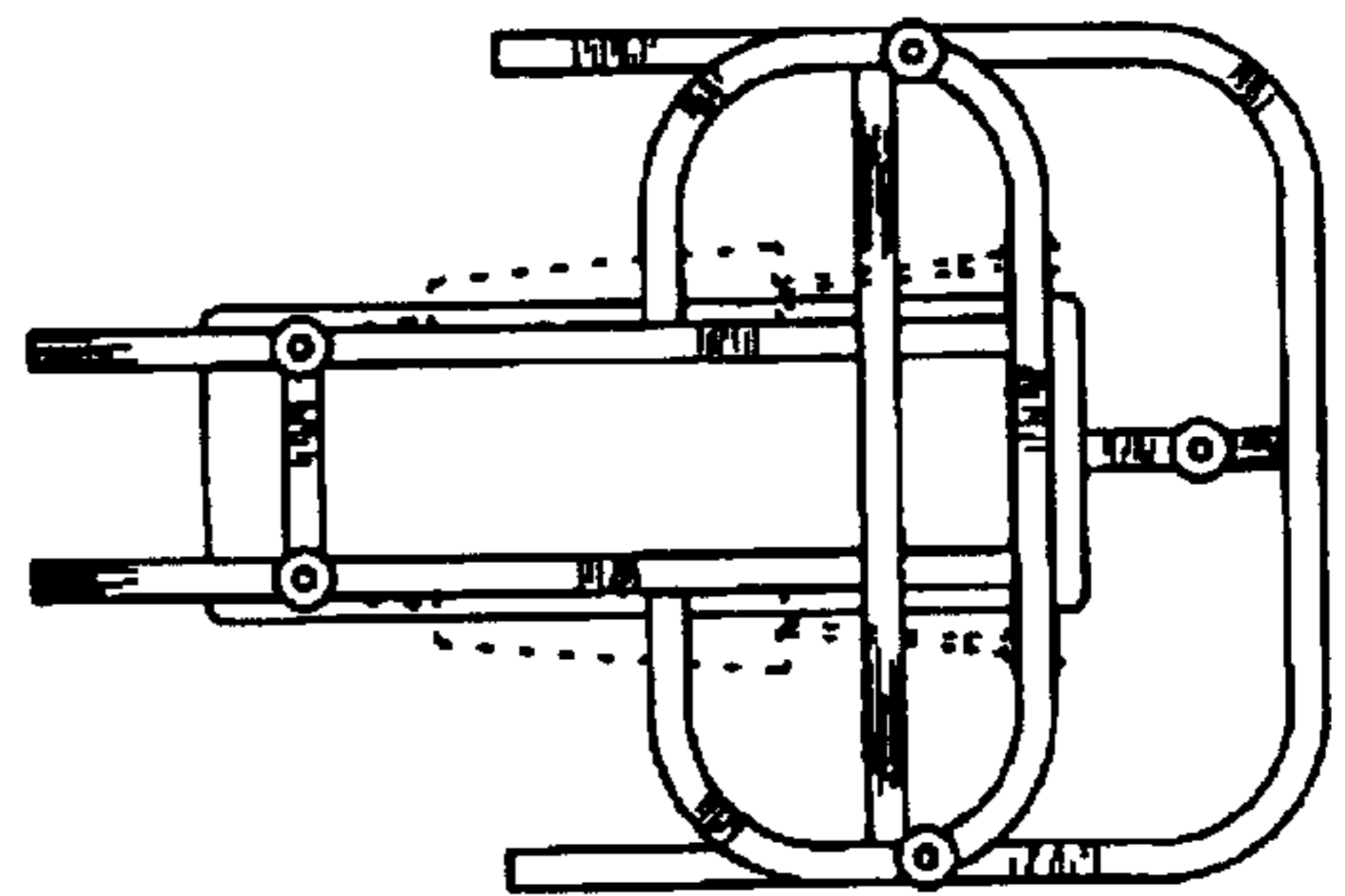


FIGURE 3

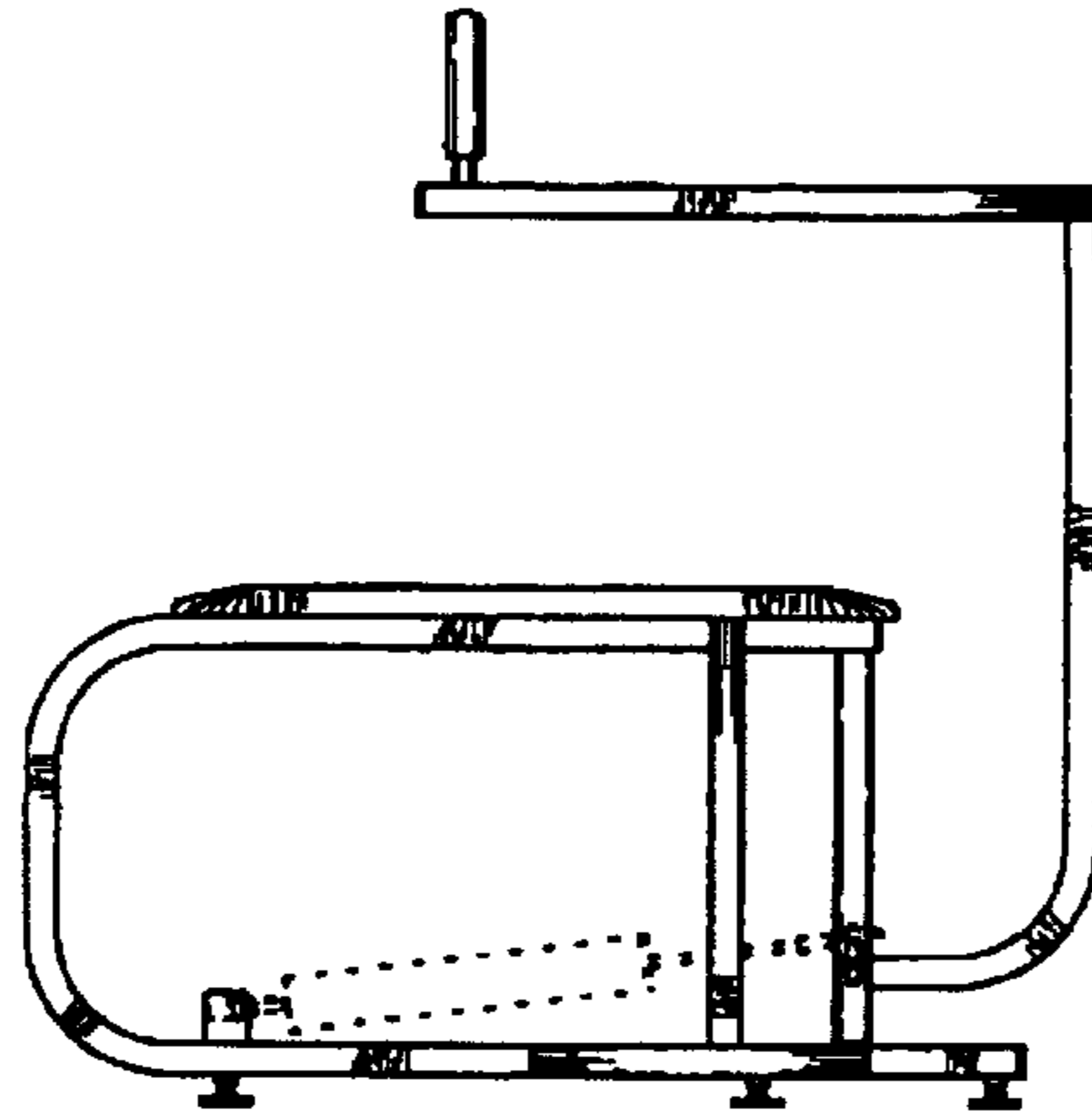


FIGURE 4

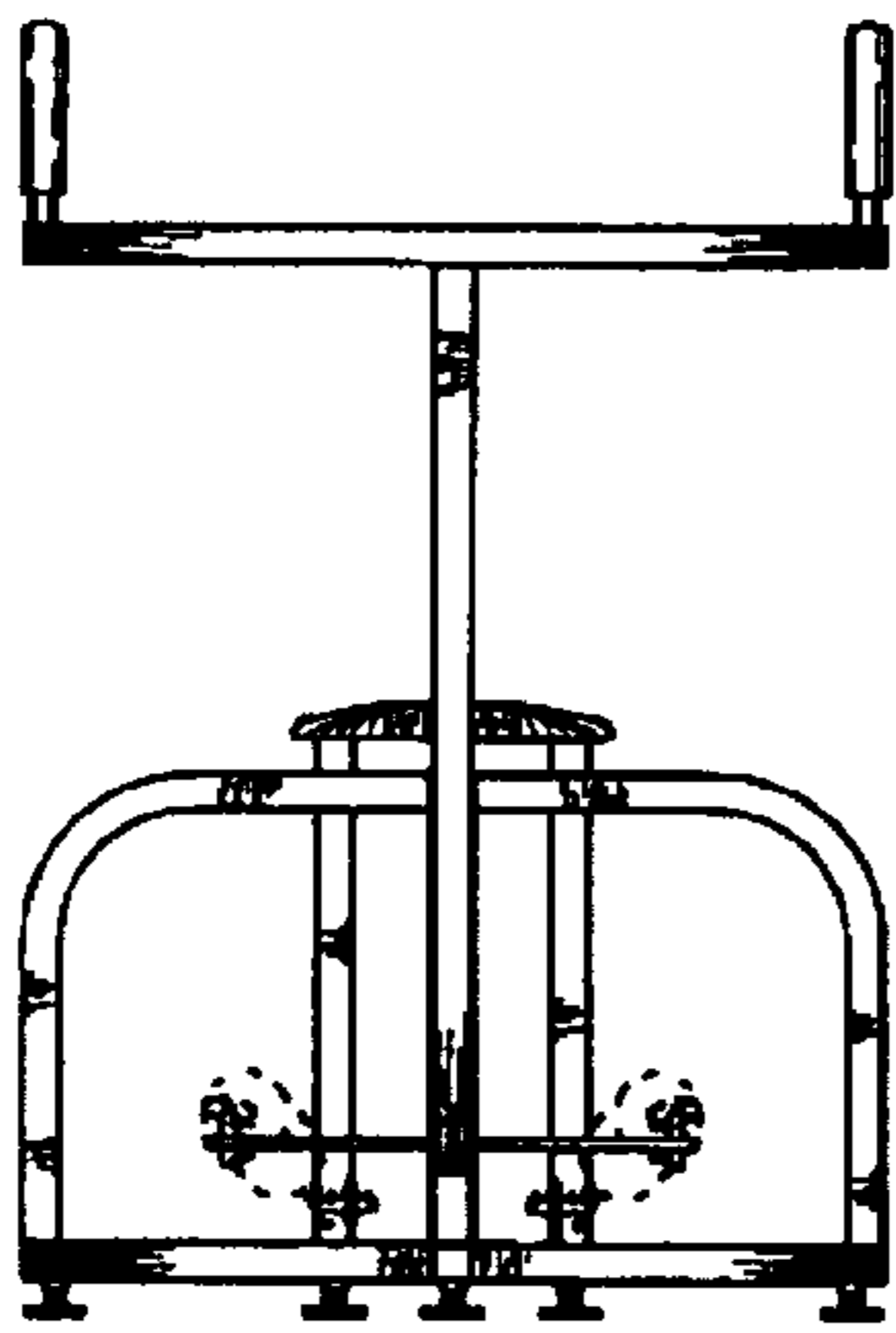


FIGURE 5

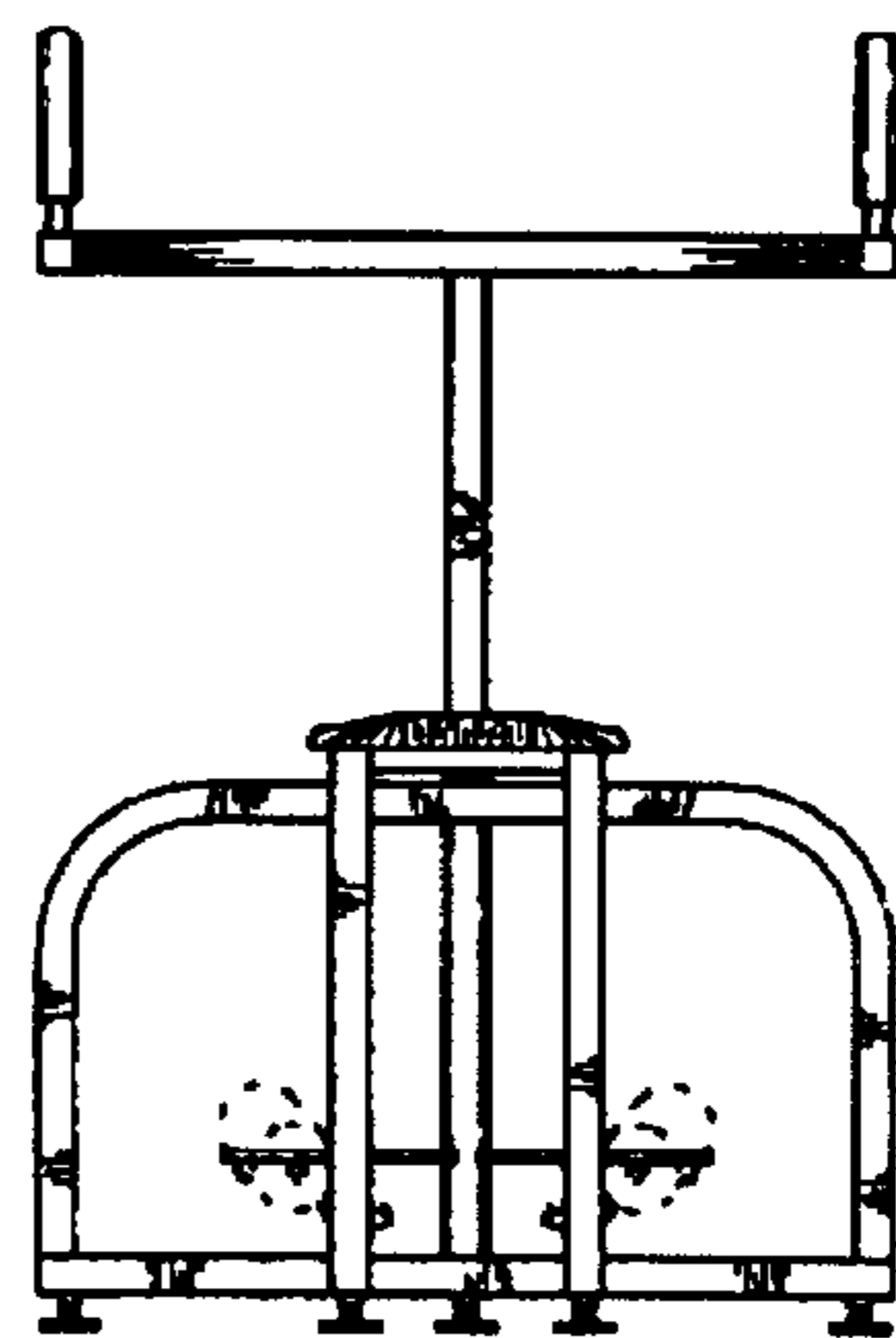


FIGURE 6