



US00D490865S

(12) **United States Design Patent**
Giannelli

(10) **Patent No.:** **US D490,865 S**

(45) **Date of Patent:** **** Jun. 1, 2004**

(54) **ROTARY TORSO EXERCISE MACHINE**

(75) **Inventor:** **Raymond Giannelli, Franklin, MA (US)**

(73) **Assignee:** **Cybox Internatinal, Inc., Medway, MA (US)**

(**) **Term:** **14 Years**

(21) **Appl. No.:** **29/176,509**

(22) **Filed:** **Feb. 21, 2003**

(51) **LOC (7) Cl.** **21-02**

(52) **U.S. Cl.** **D21/676; D21/675**

(58) **Field of Search** **D21/673, 674, D21/675, 676; 482/94, 95, 96, 97, 98, 99, 100, 101, 102, 133, 137**

(56) **References Cited**

U.S. PATENT DOCUMENTS

- 4,387,893 A * 6/1983 Baldwin 482/137
- D281,712 S * 12/1985 Stedman D21/676
- 4,733,860 A * 3/1988 Steffee 482/136

5,056,779 A * 10/1991 Webb 482/137

5,094,449 A * 3/1992 Stearns 482/130

D344,993 S * 3/1994 Laratta D21/676

6,113,522 A * 9/2000 Fontenot et al. 482/111

6,248,047 B1 * 6/2001 Abdo 482/130

* cited by examiner

Primary Examiner—Philip S. Hyder

(74) *Attorney, Agent, or Firm*—Kudirka & Jobse, LLP

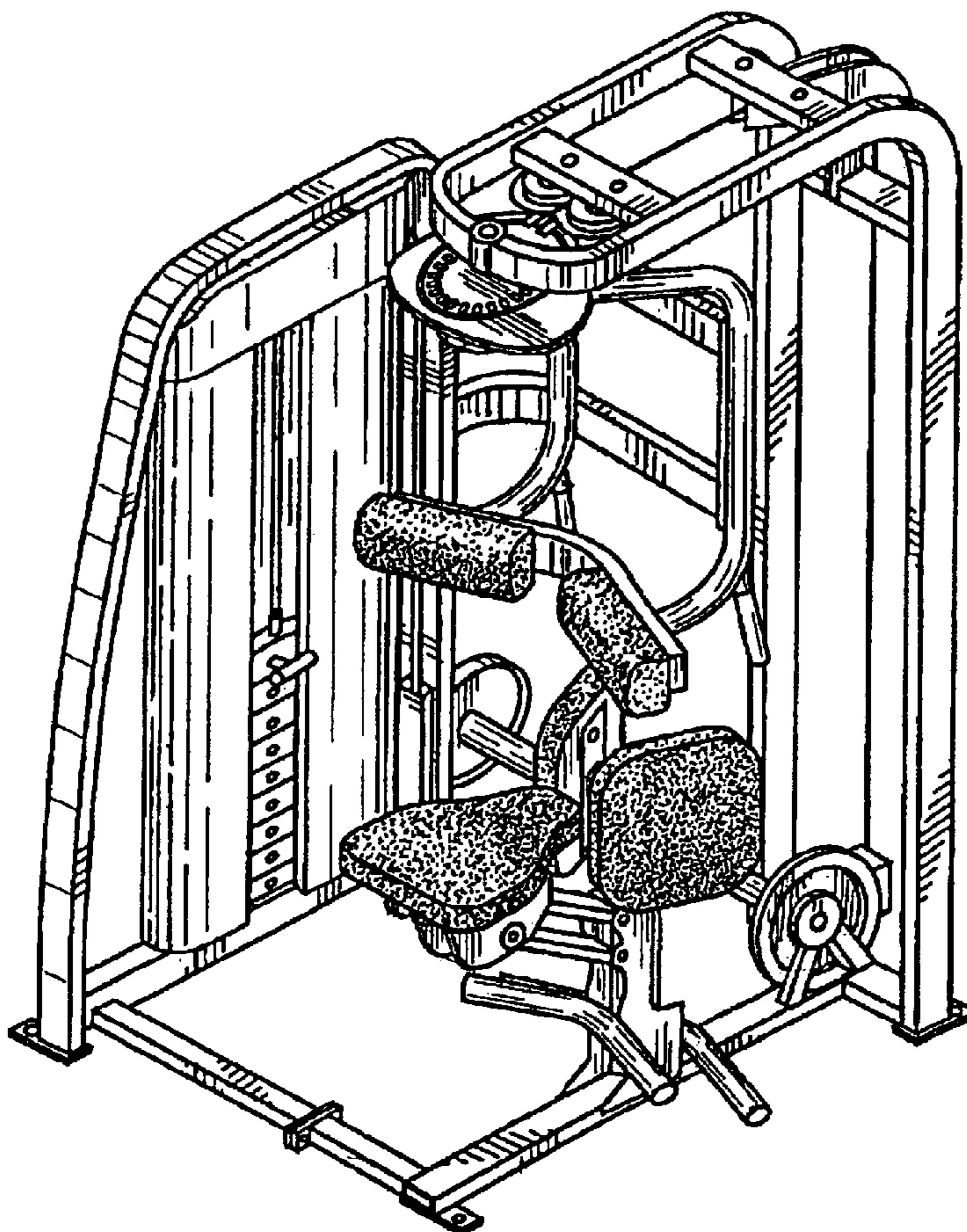
(57) **CLAIM**

The ornamental design for a rotary torso exercise machine, as shown.

DESCRIPTION

FIG. 1 is front perspective view of the rotary torso exercise machine of the present invention; FIG. 2 is a right side view thereof; FIG. 3 is a left side view thereof; FIG. 4 is a front view thereof; FIG. 5 is a rear view thereof; and, FIG. 6 is a top view thereof.

1 Claim, 6 Drawing Sheets



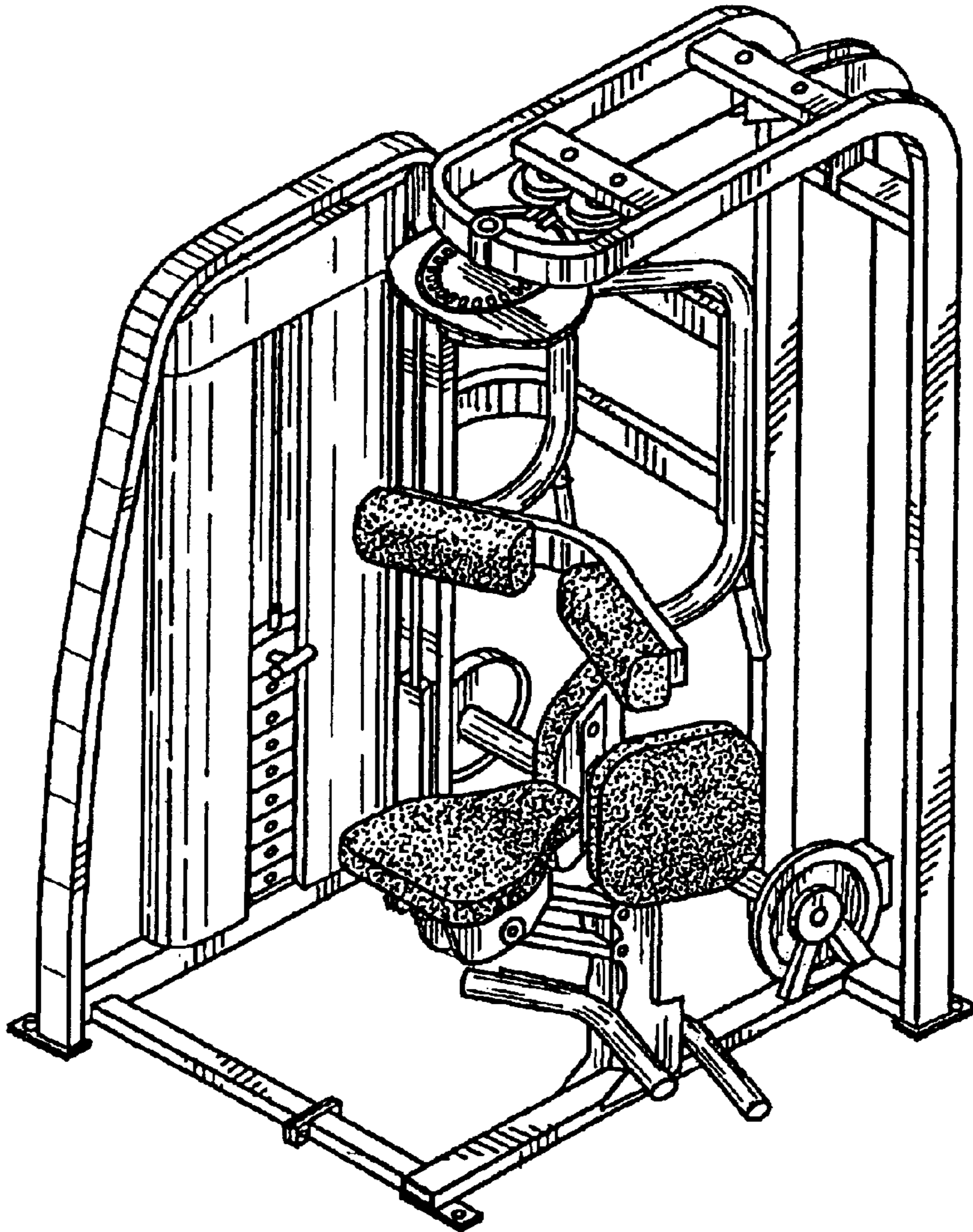


FIG. 1

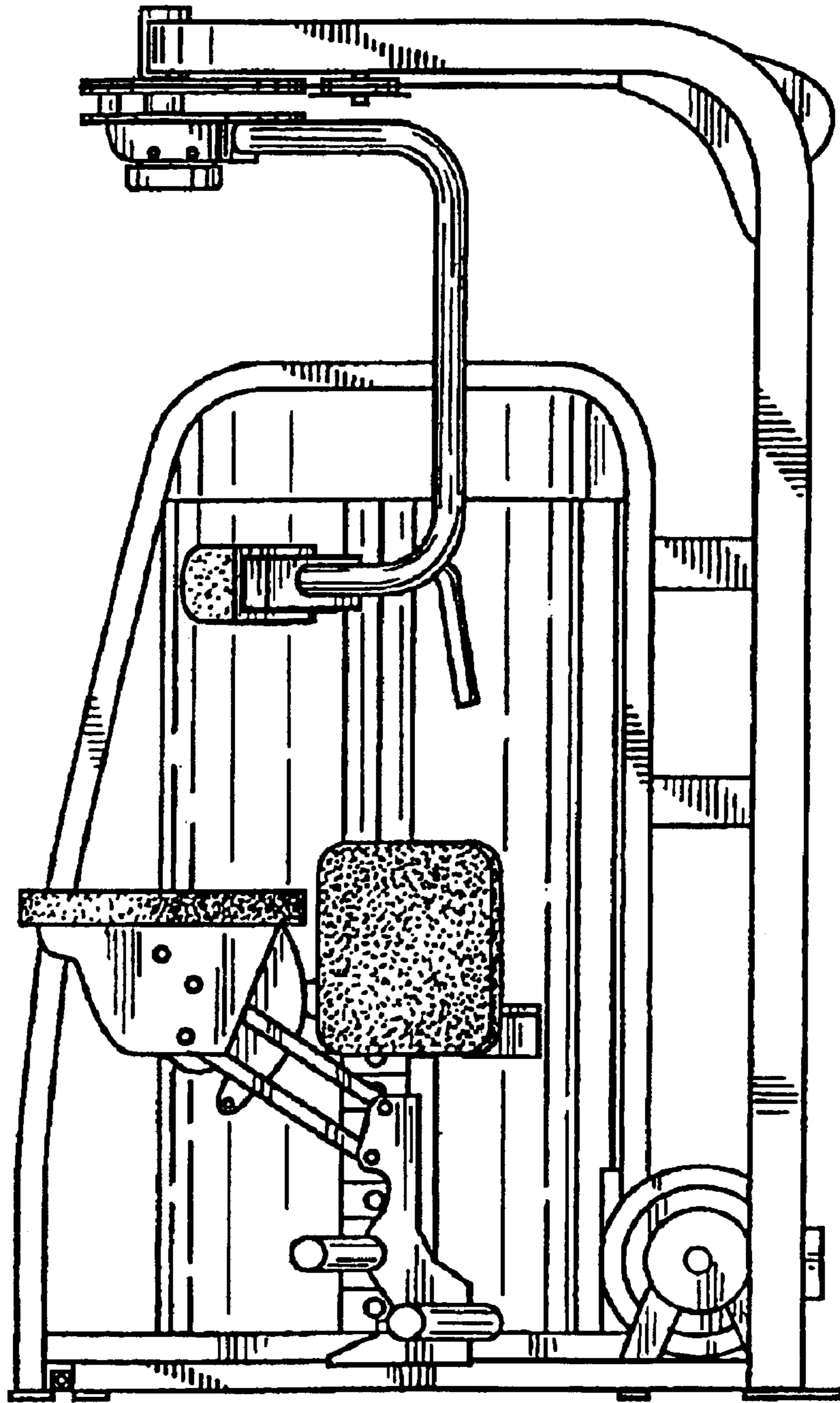


FIG. 2

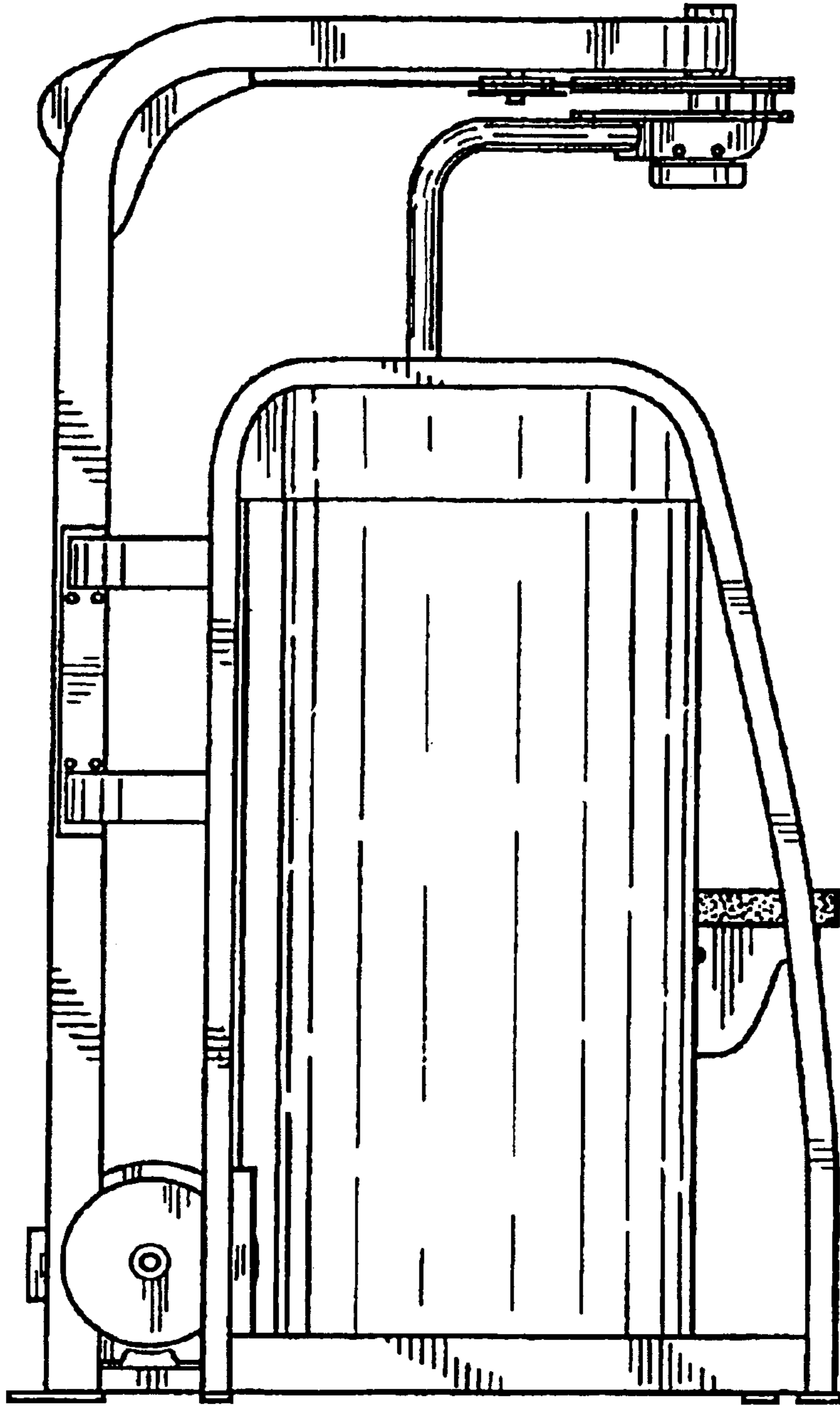


FIG. 3

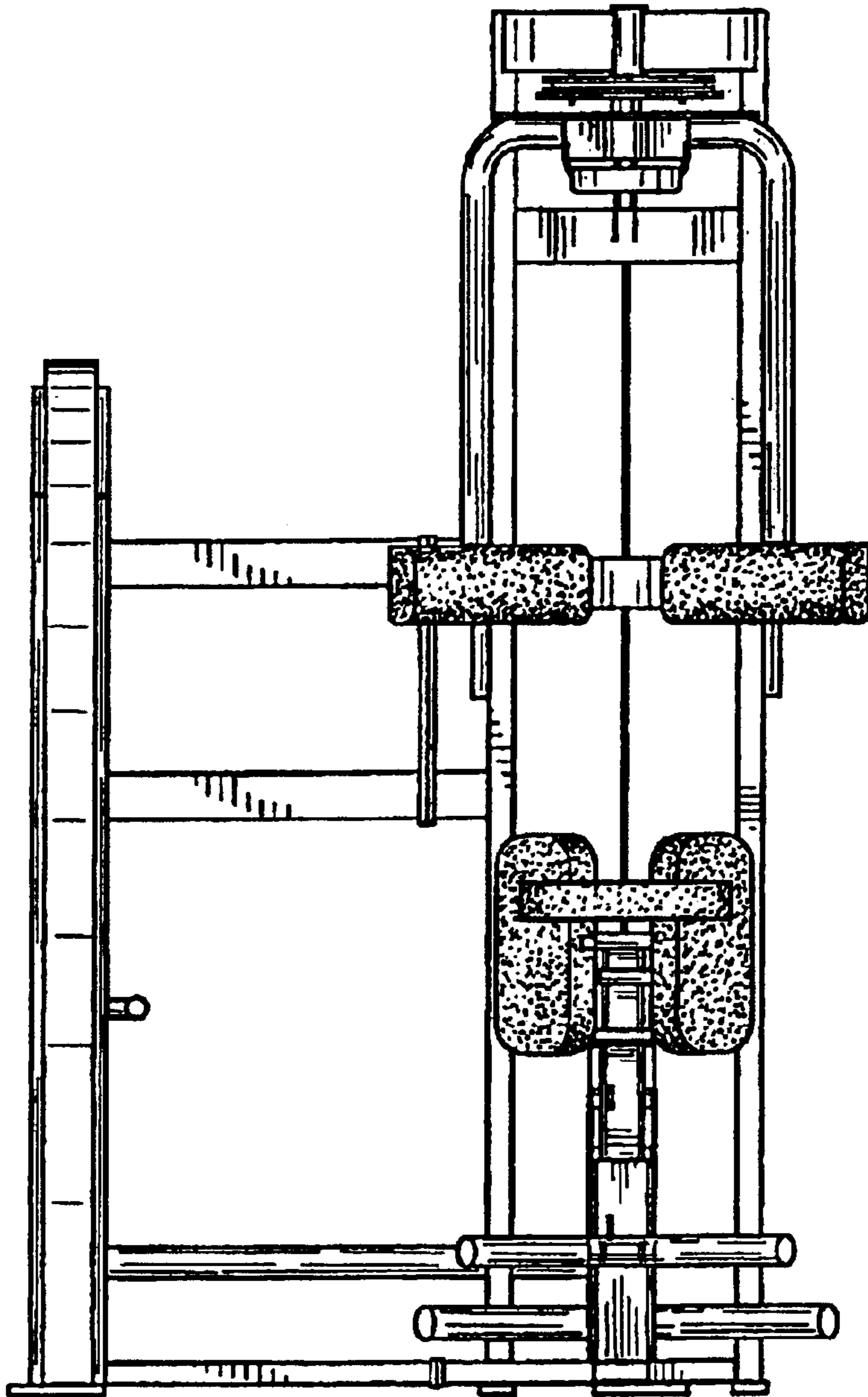


FIG. 4

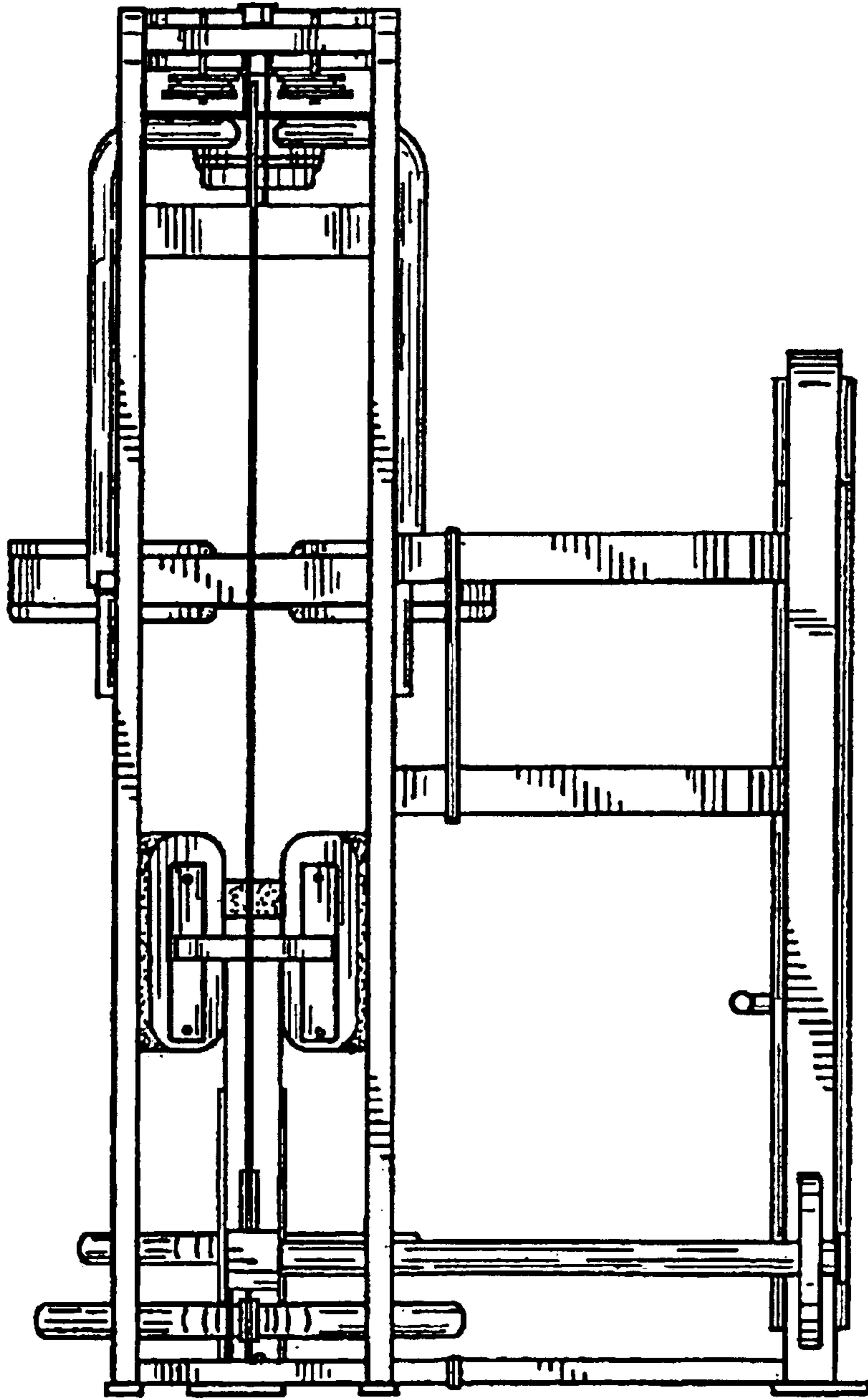


FIG. 5

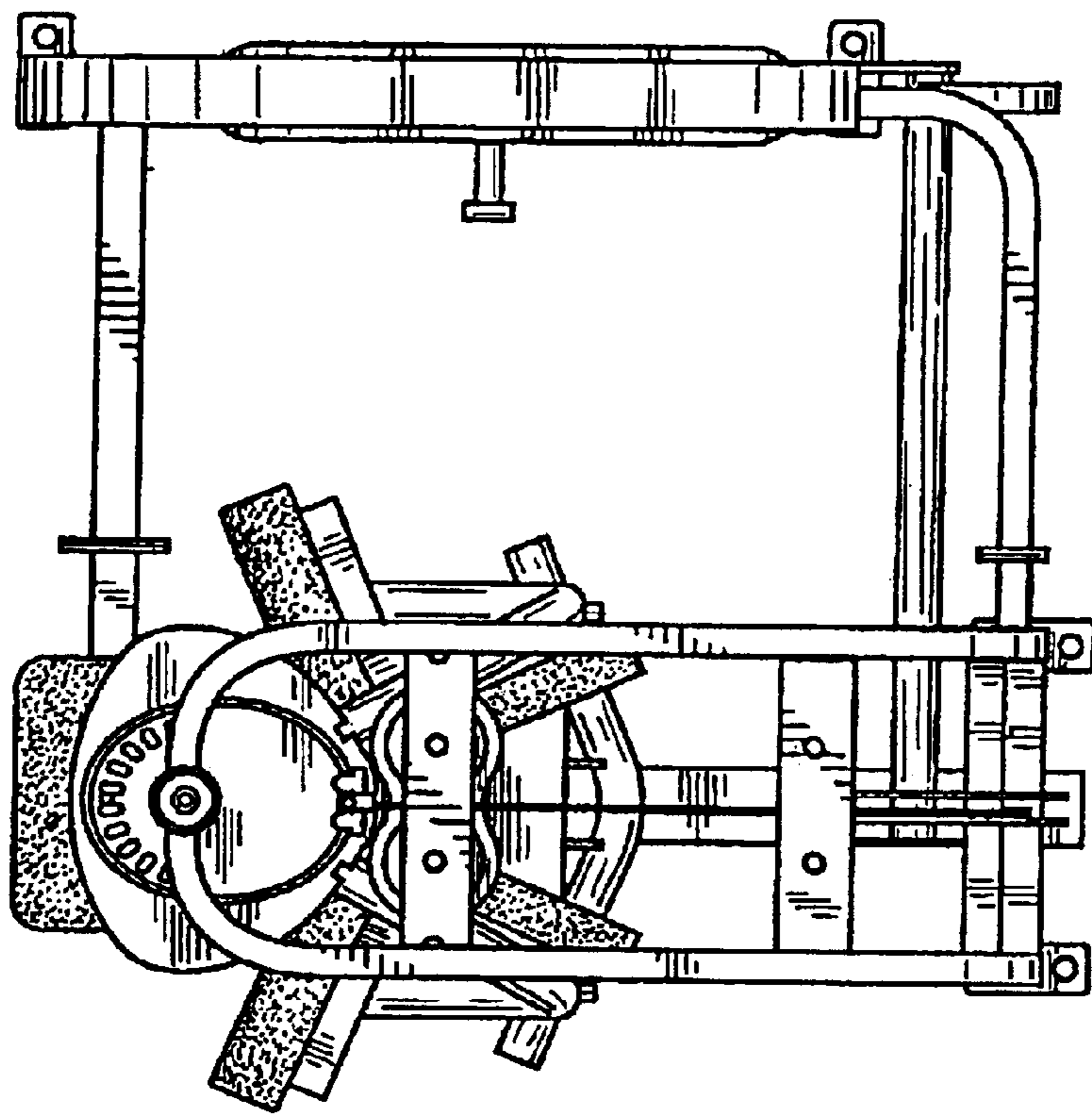


FIG. 6

UNITED STATES PATENT AND TRADEMARK OFFICE
CERTIFICATE OF CORRECTION

PATENT NO. : Des. 490,865 S
APPLICATION NO. : 29/176509
DATED : June 1, 2004
INVENTOR(S) : Raymond Giannelli

Page 1 of 1

It is certified that error appears in the above-identified patent and that said Letters Patent is hereby corrected as shown below:

On the title page, item (73) Assignee:

delete "Cybex Internatinal, Inc." and insert therefor --Cybex International, Inc.--.

Signed and Sealed this

Nineteenth Day of January, 2010



David J. Kappos
Director of the United States Patent and Trademark Office