



US00D490861S

(12) **United States Design Patent**
Buzzelli

(10) **Patent No.:** **US D490,861 S**

(45) **Date of Patent:** **** Jun. 1, 2004**

(54) **BUBBLE MACHINE**

(75) **Inventor:** **Lisa Christine Buzzelli**, Romeoville, IL
(US)

(73) **Assignee:** **Wilton Industries, Inc.**, Woodridge, IL
(US)

(**) **Term:** **14 Years**

(21) **Appl. No.:** **29/190,623**

(22) **Filed:** **Sep. 24, 2003**

(51) **LOC (7) Cl.** **21-01**

(52) **U.S. Cl.** **D21/401**

(58) **Field of Search** D21/398, 401,
D21/402, 811, 812; 446/15-21, 71, 76,
267, 475, 483, 484, 491

(56) **References Cited**

U.S. PATENT DOCUMENTS

2,412,732 A * 12/1946 Holman 40/408
D153,814 S * 5/1949 Margolis D20/32
4,044,496 A * 8/1977 Jernstrom 446/16

4,133,138 A * 1/1979 Coons 446/16

4,447,982 A * 5/1984 Gushea 446/16

4,764,141 A * 8/1988 D'Andrade 446/16

5,832,969 A * 11/1998 Schramm 141/98

6,331,130 B1 * 12/2001 Thai 446/15

* cited by examiner

Primary Examiner—Philip S. Hyder

Assistant Examiner—C. Tuttle

(74) *Attorney, Agent, or Firm*—Piper Rudnick LLP

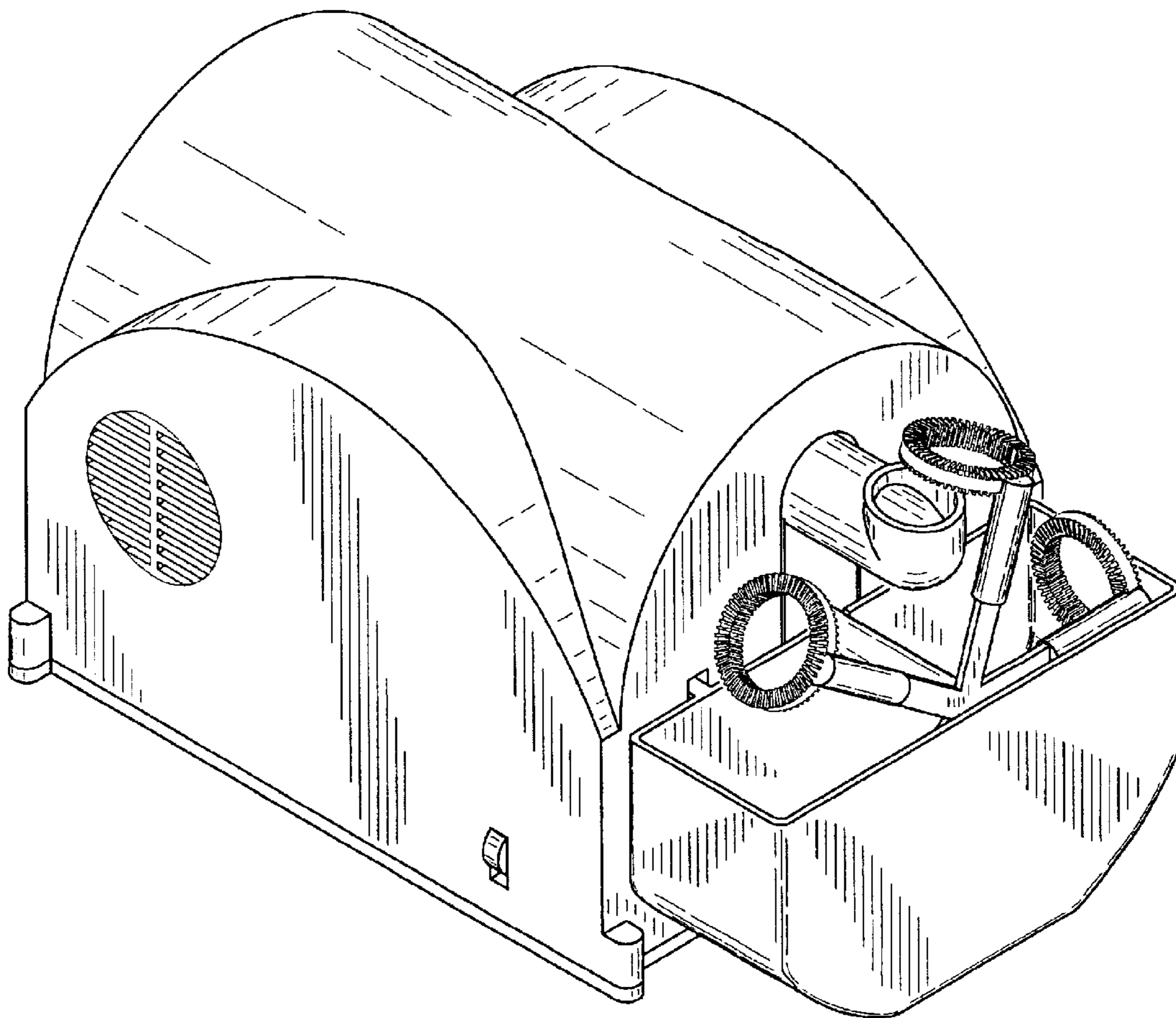
(57) **CLAIM**

The ornamental design for a bubble machine, as shown.

DESCRIPTION

FIG. 1 is a perspective view of the bubble machine;
FIG. 2 is a front elevational view of the bubble machine;
FIG. 3 is a back elevational view of the bubble machine;
FIG. 4 is a left side elevational view of the bubble machine;
FIG. 5 is a right side elevational view of the bubble machine;
FIG. 6 is a top plan view of the bubble machine; and,
FIG. 7 is a bottom plan view of the bubble machine.

1 Claim, 5 Drawing Sheets



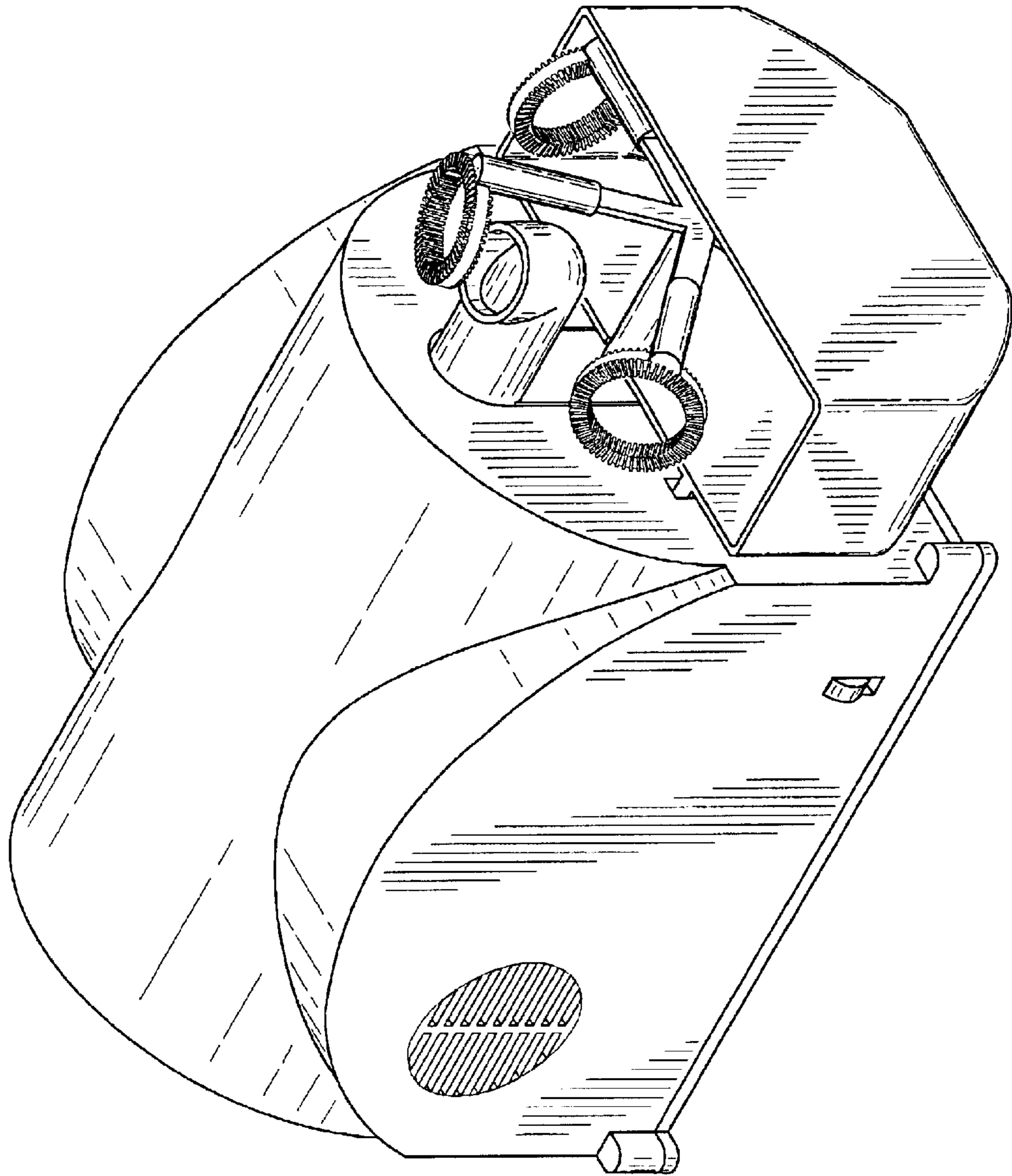


FIG. 1

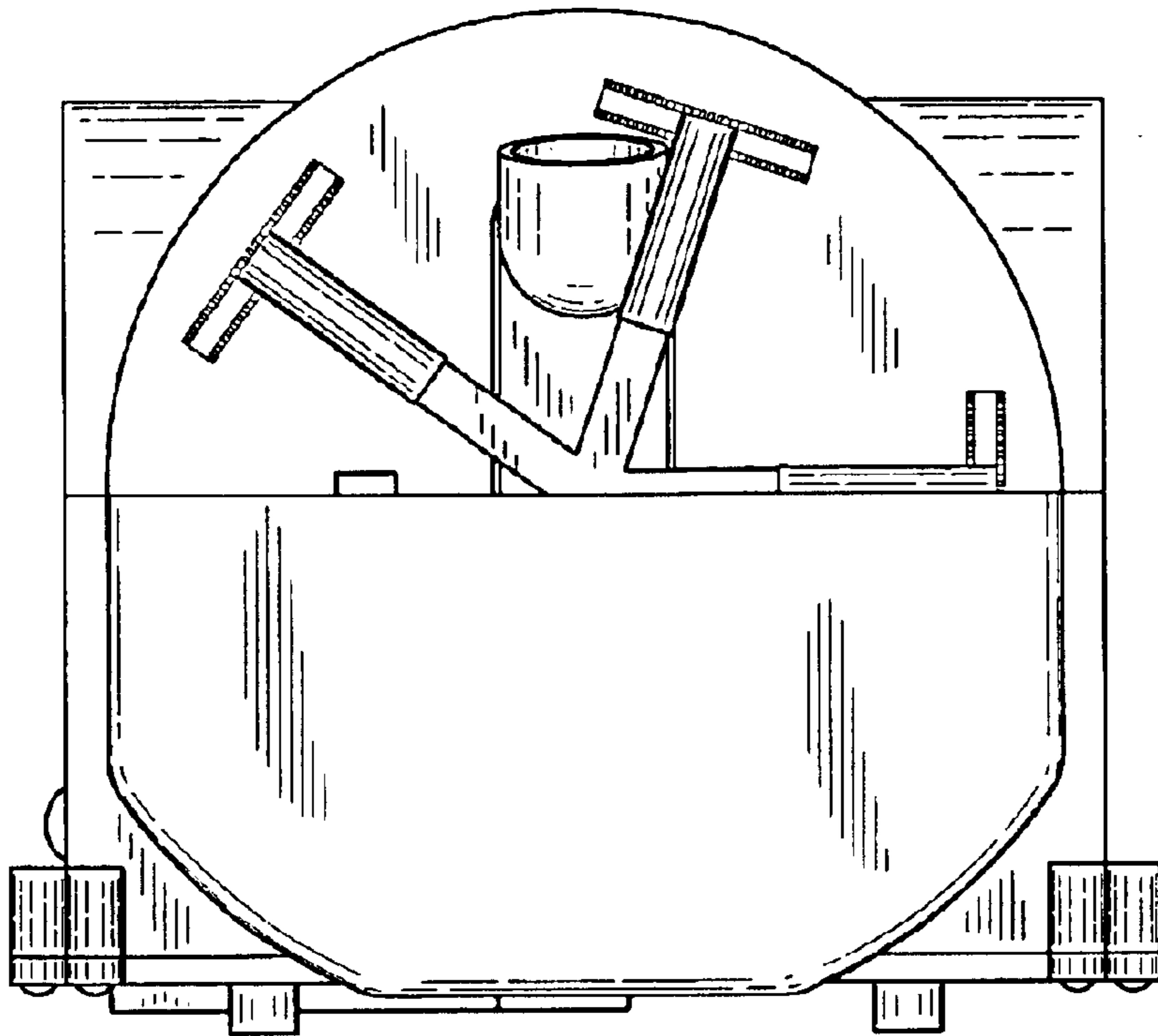


FIG. 2

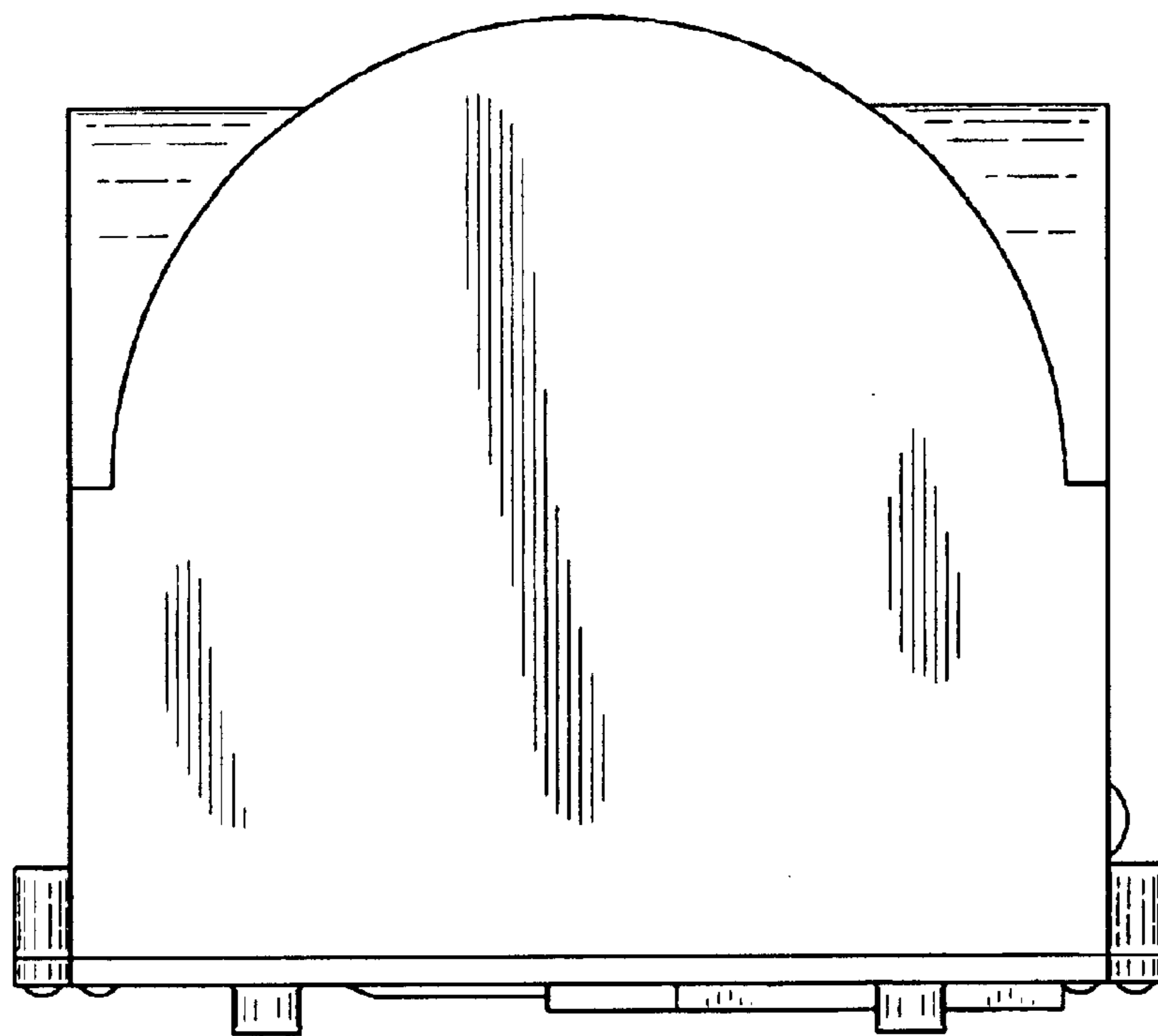


FIG. 3

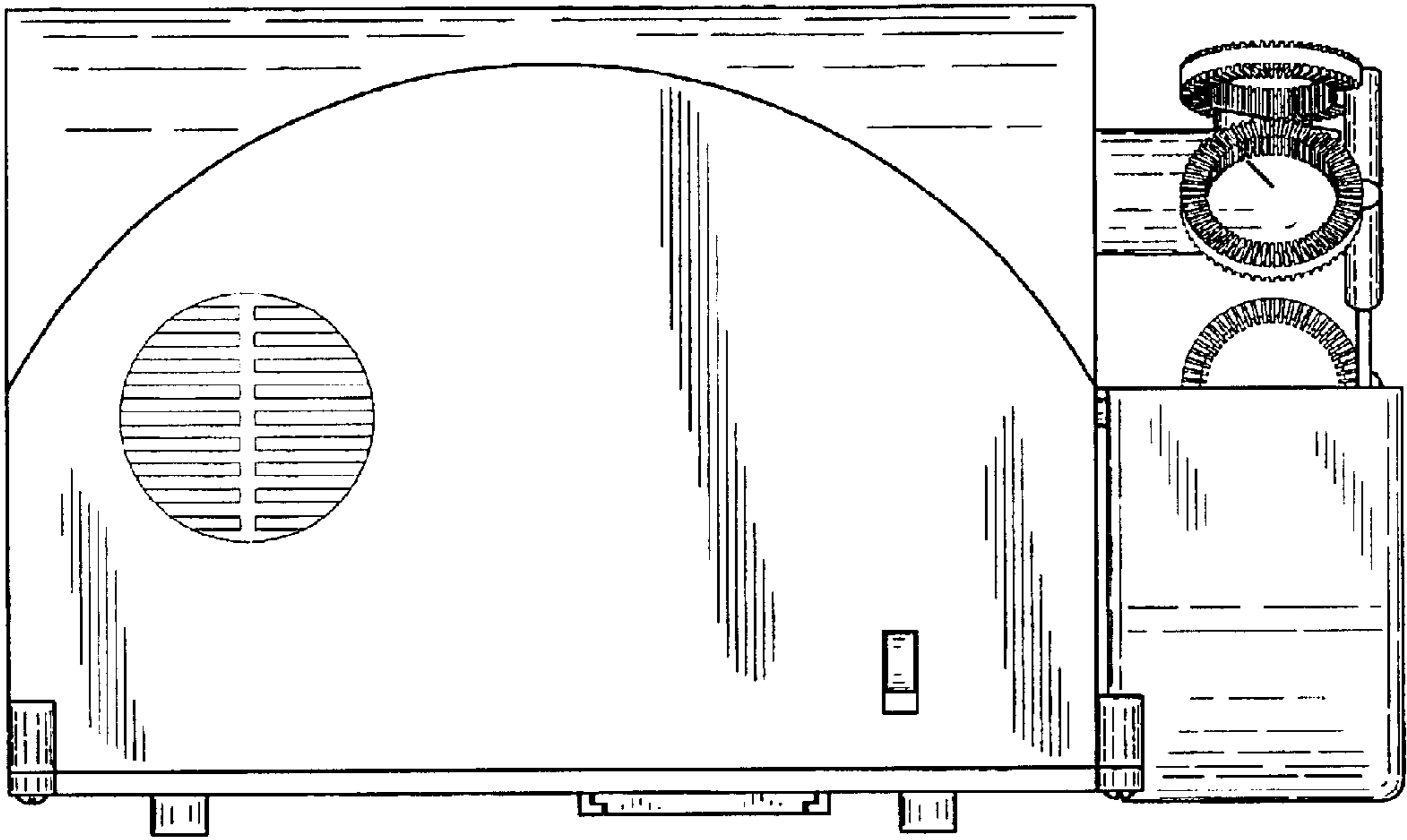


FIG. 4

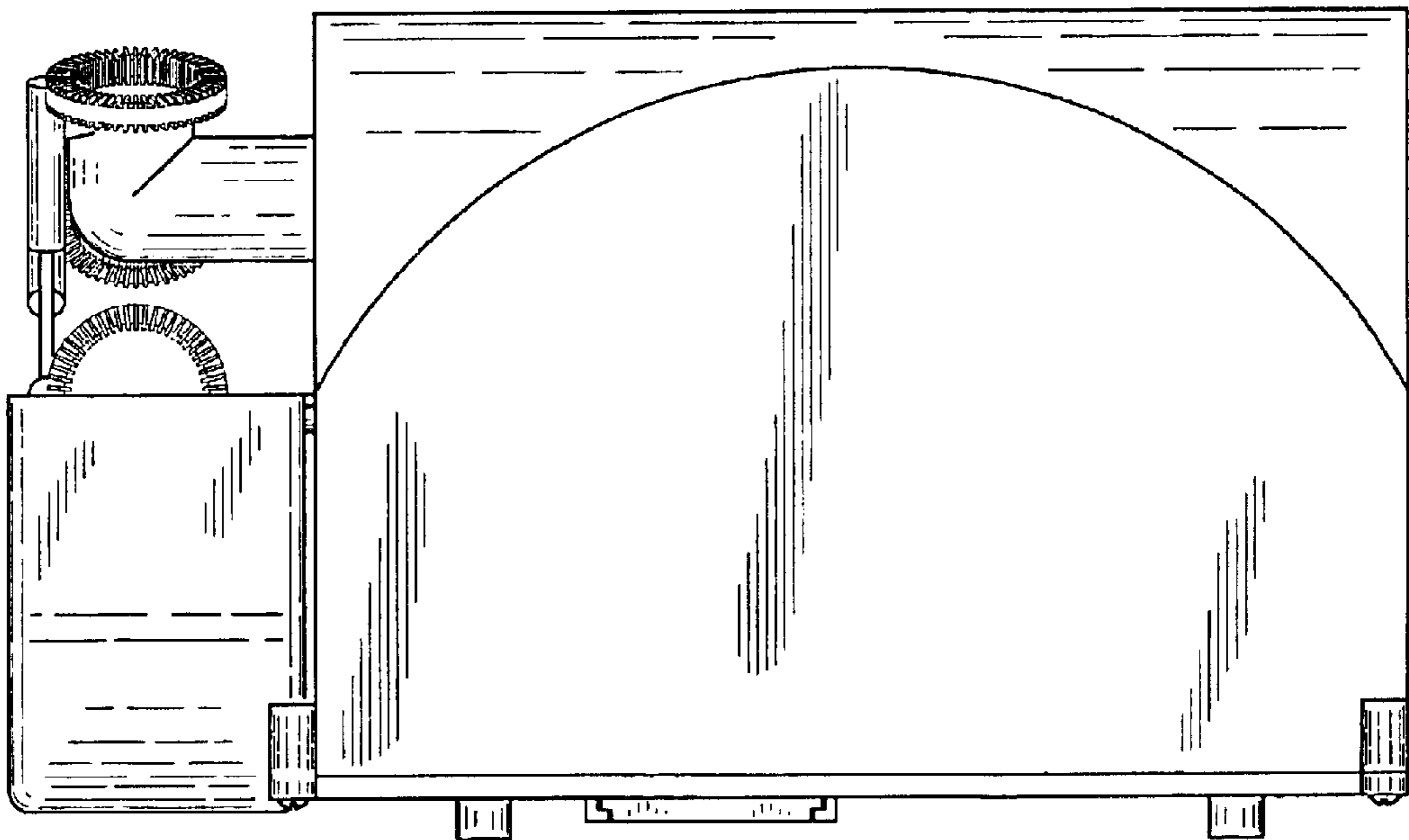


FIG. 5

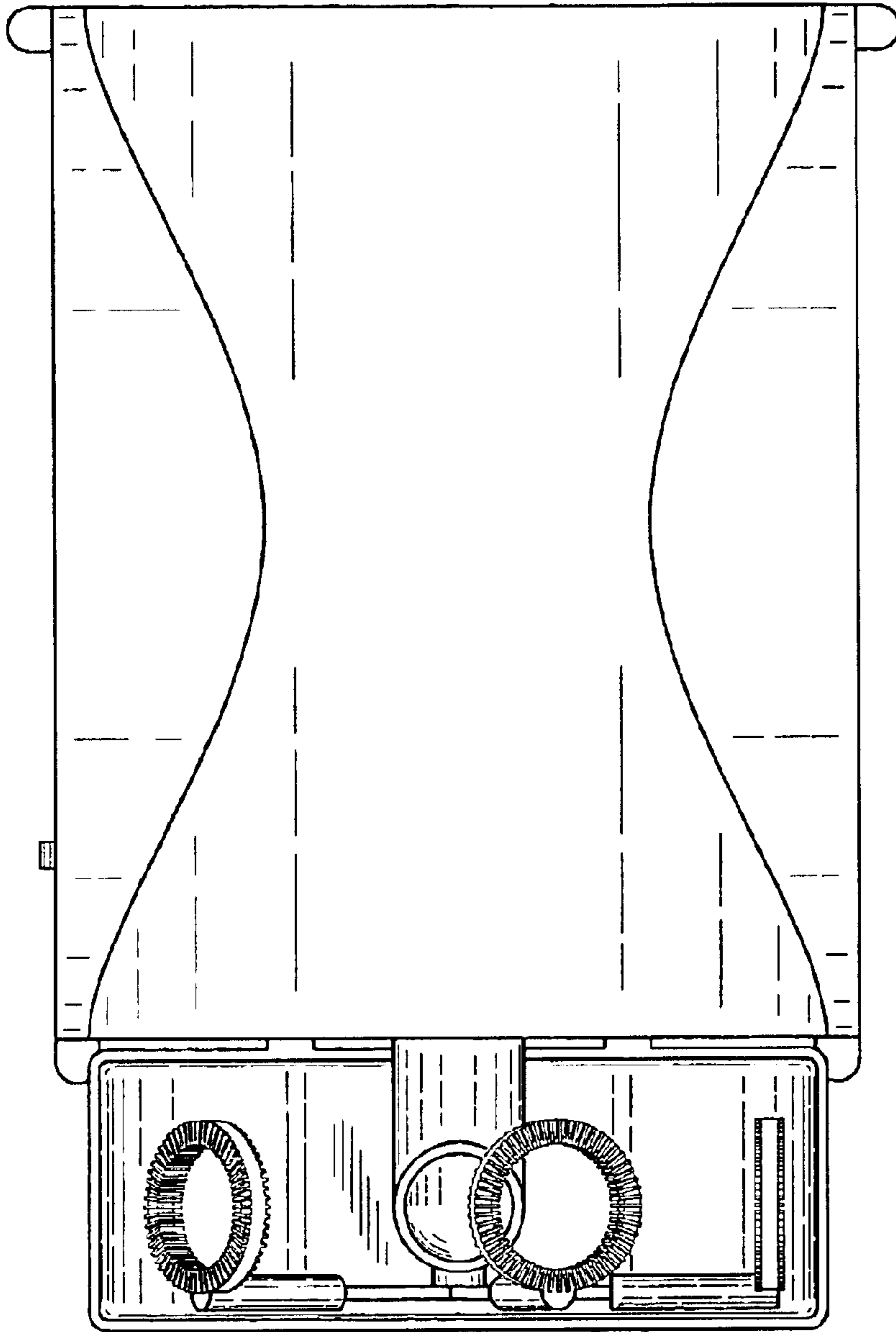


FIG. 6

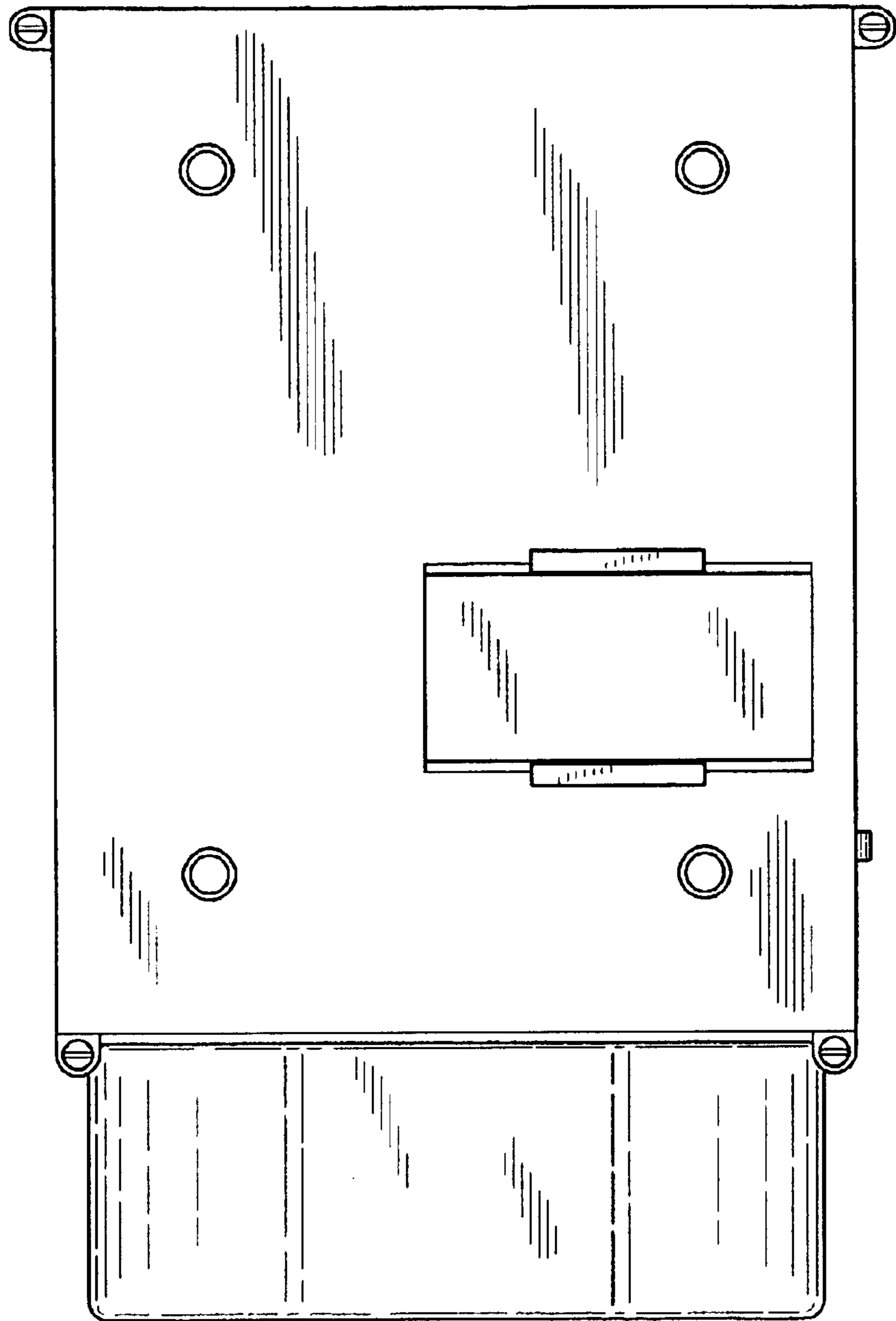


FIG. 7