



US00D490859S

(12) **United States Design Patent**  
**Bedford**

(10) **Patent No.:** **US D490,859 S**

(45) **Date of Patent:** **\*\* Jun. 1, 2004**

(54) **FOLD-OUT, HAND-HELD ELECTRONIC GAME**

(75) **Inventor:** **Jonathan Bedford**, Hawthorne, CA (US)

(73) **Assignee:** **Mattel, Inc.**, El Segundo, CA (US)

(\*\*) **Term:** **14 Years**

(21) **Appl. No.:** **29/178,912**

(22) **Filed:** **Apr. 1, 2003**

(51) **LOC (7) Cl.** ..... **21-01**

(52) **U.S. Cl.** ..... **D21/324**

(58) **Field of Search** ..... D21/324-333;  
D14/400, 401, 496, 125; 273/148 B; 463/1,  
29-35, 46, 47

(56) **References Cited**

**U.S. PATENT DOCUMENTS**

D275,971 S	10/1984	Yokoi	
4,542,903 A	9/1985	Yokoi et al.	
4,580,782 A	4/1986	Ochi	
4,589,659 A	5/1986	Yokoi et al.	
4,687,200 A	8/1987	Shirai	
4,783,812 A	11/1988	Kaneoka	
4,806,920 A	2/1989	Sawada	
D313,434 S	* 1/1991	Fung	..... D21/324
5,046,739 A	* 9/1991	Reichow	..... 273/148 B
D320,624 S	10/1991	Taylor	
5,095,798 A	3/1992	Okada et al.	
5,120,057 A	6/1992	Kitaue	
5,184,830 A	2/1993	Okada et al.	
5,213,327 A	* 5/1993	Kitaue	..... 463/46
5,325,280 A	* 6/1994	Tortola et al.	..... 273/148 B
D348,483 S	* 7/1994	Chow et al.	..... D21/324

5,393,057 A	2/1995	Marnell, II	
D396,887 S	* 8/1998	Yokoi	..... D21/324
D407,122 S	3/1999	Tsai	
5,893,798 A	4/1999	Stambolic et al.	
D437,357 S	* 2/2001	Breslow et al.	..... D21/324
D453,800 S	* 2/2002	Ashida	..... D21/332
6,540,611 B1	* 4/2003	Nagata	..... 463/46
6,628,939 B2	* 9/2003	Paulsen	..... 463/46

**OTHER PUBLICATIONS**

Entex Galaxian, 1981 (1 page).  
Entex Select-a-game, 1981 (1 page).  
Bandai Pengo, 1982 (1 page).  
Tetris Junior, 1996 (2 pages).  
MGA Pen Arcade, 2001 (4 pages).

\* cited by examiner

*Primary Examiner*—Prabhakar Deshmukh  
(74) *Attorney, Agent, or Firm*—Kolisch Hartwell PC

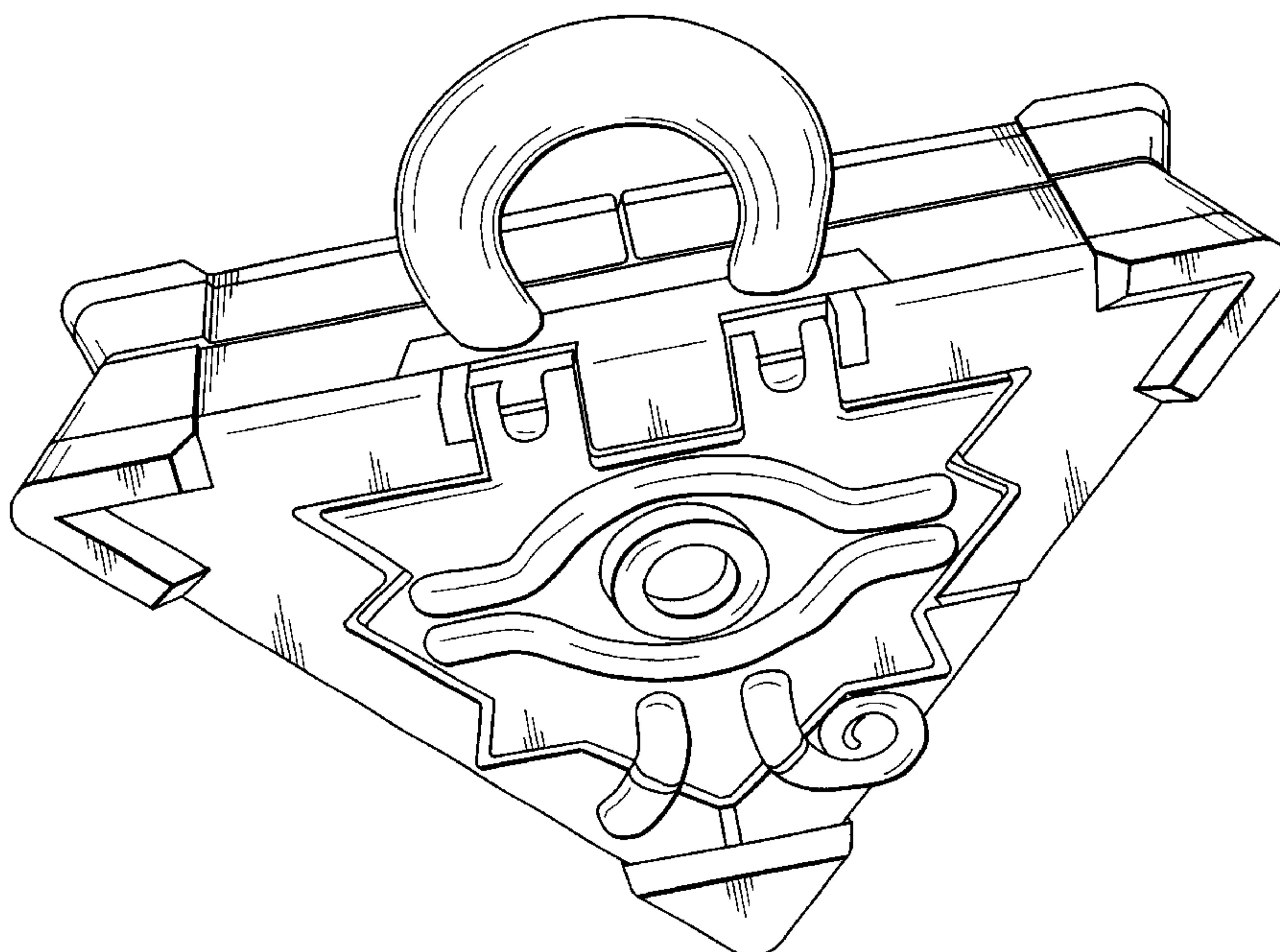
(57) **CLAIM**

The ornamental design for a fold-out, hand-held electronic game, as shown and described.

**DESCRIPTION**

FIG. 1 is an isometric view of a fold-out, hand-held electronic game, showing a first exemplary embodiment of our new design;  
FIG. 2 is a top plan view thereof;  
FIG. 3 is a front elevational view thereof;  
FIG. 4 is a rear elevational view thereof;  
FIG. 5 is a bottom plan view thereof;  
FIG. 6 is a left elevational view thereof; and,  
FIG. 7 is a right elevational view thereof.

**1 Claim, 4 Drawing Sheets**



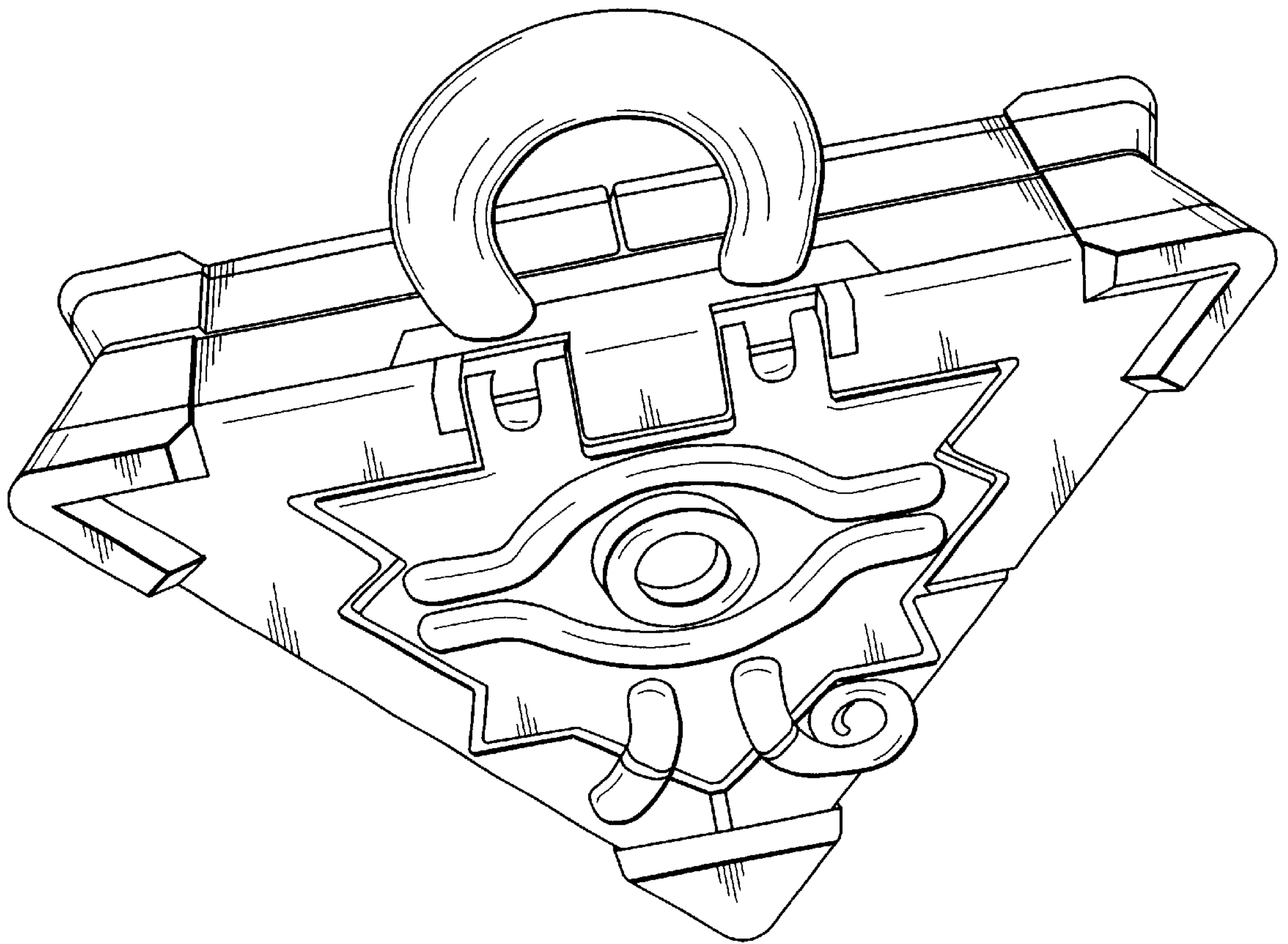


FIG. 1

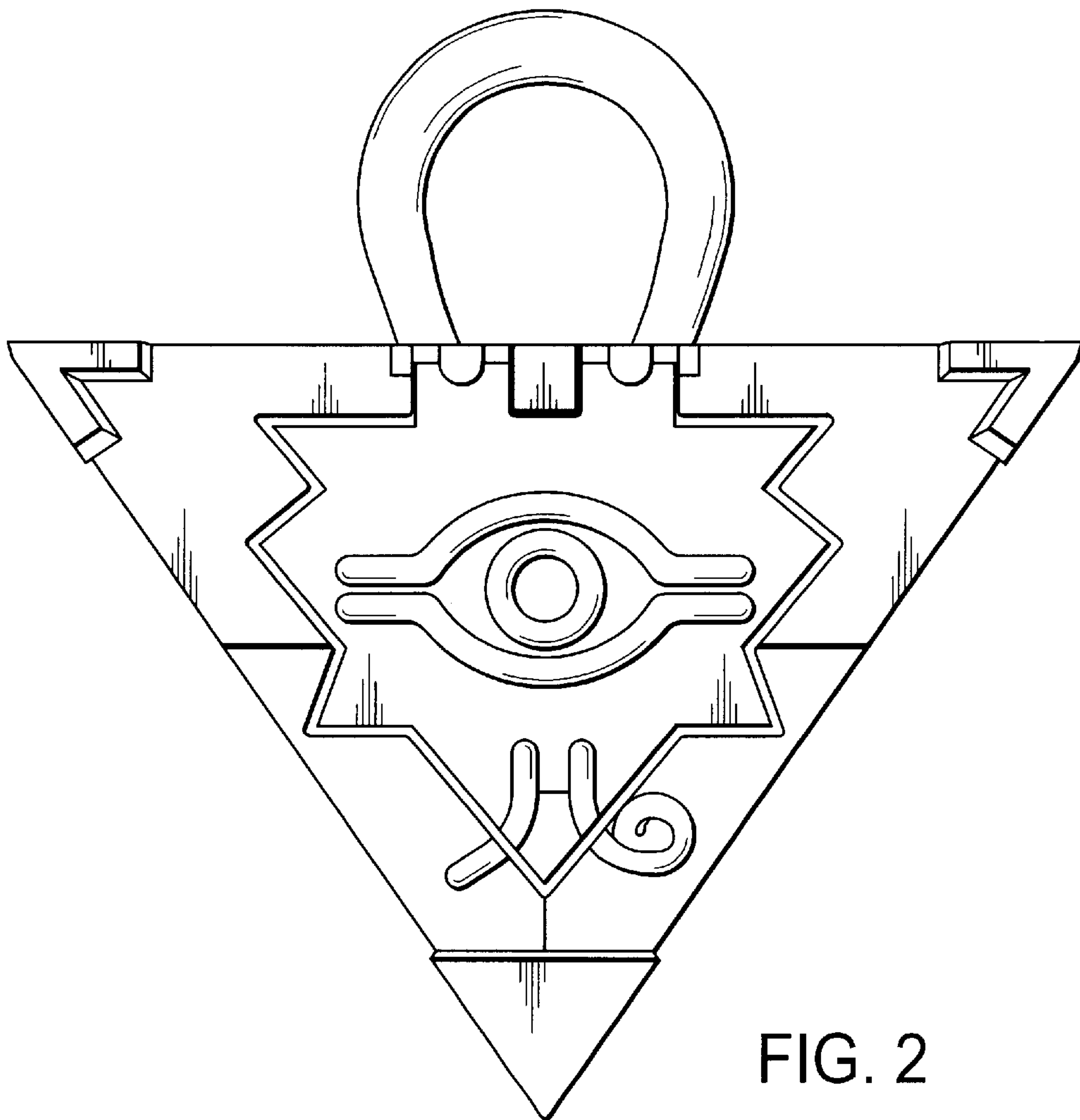


FIG. 2

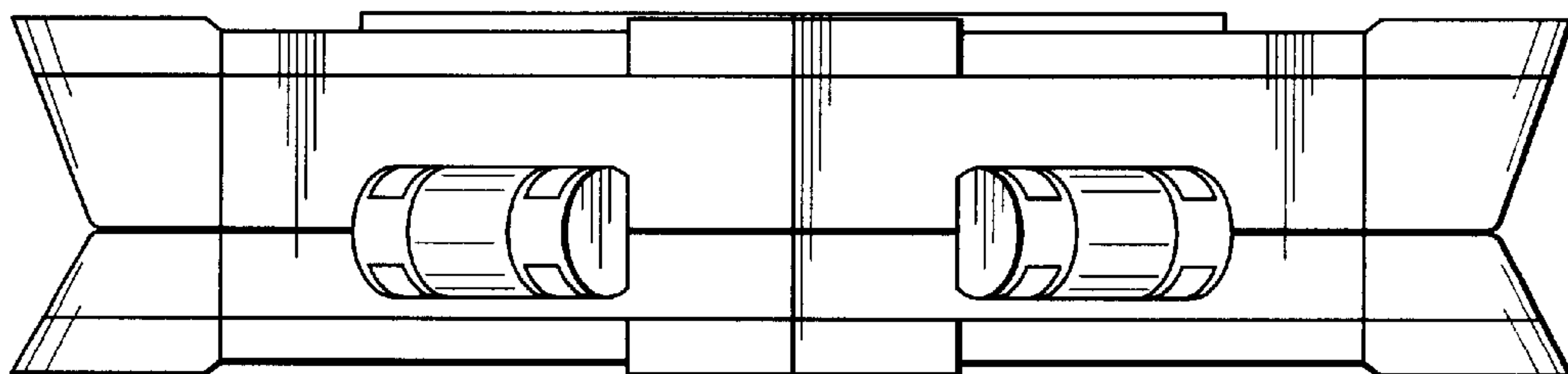


FIG. 3

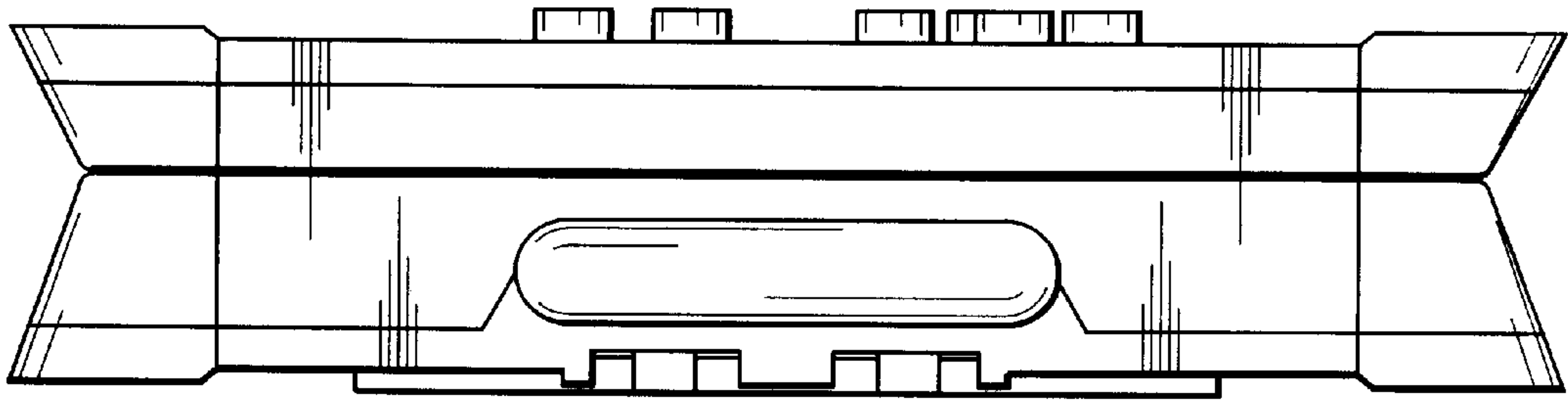


FIG. 4

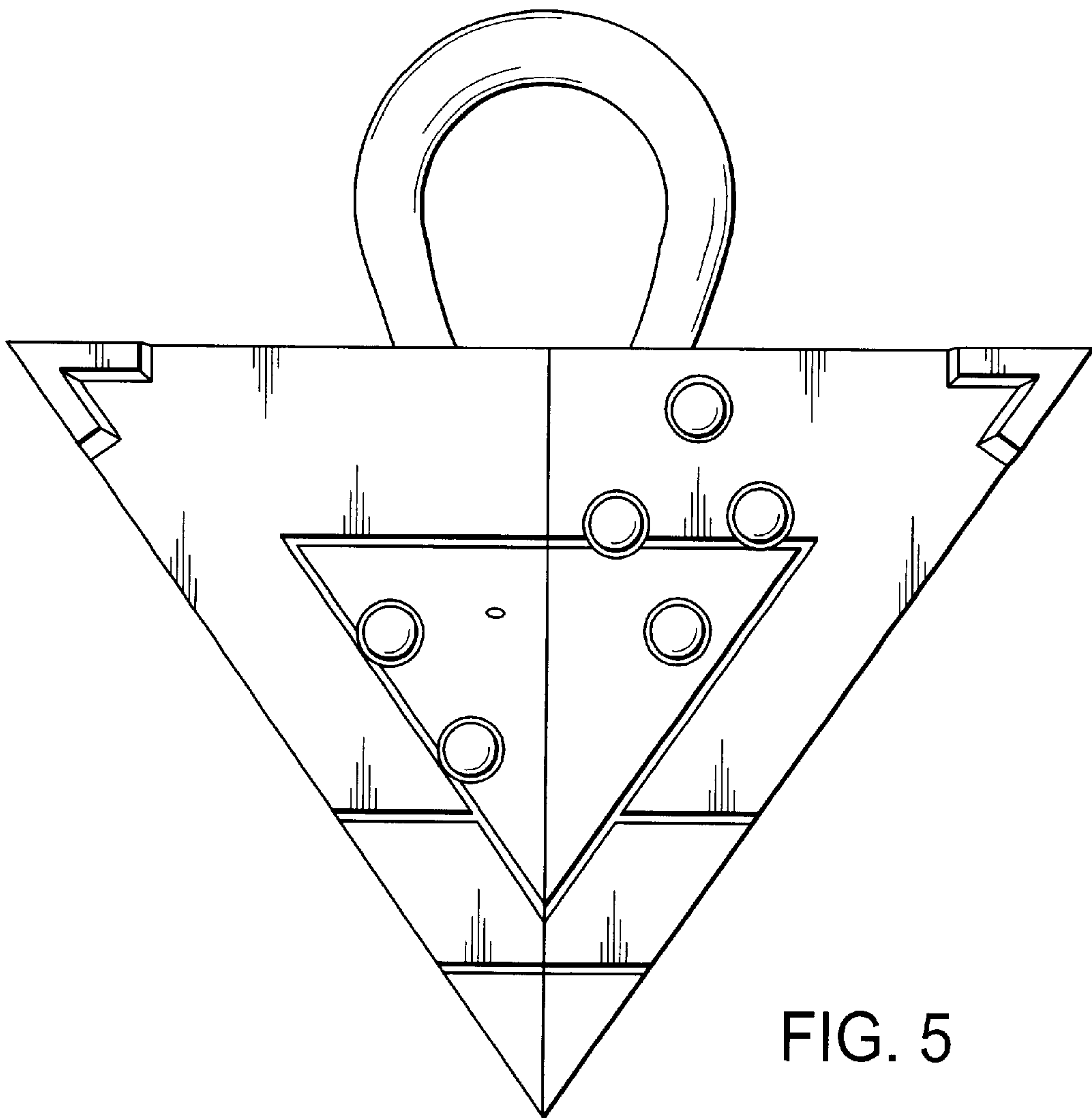


FIG. 5

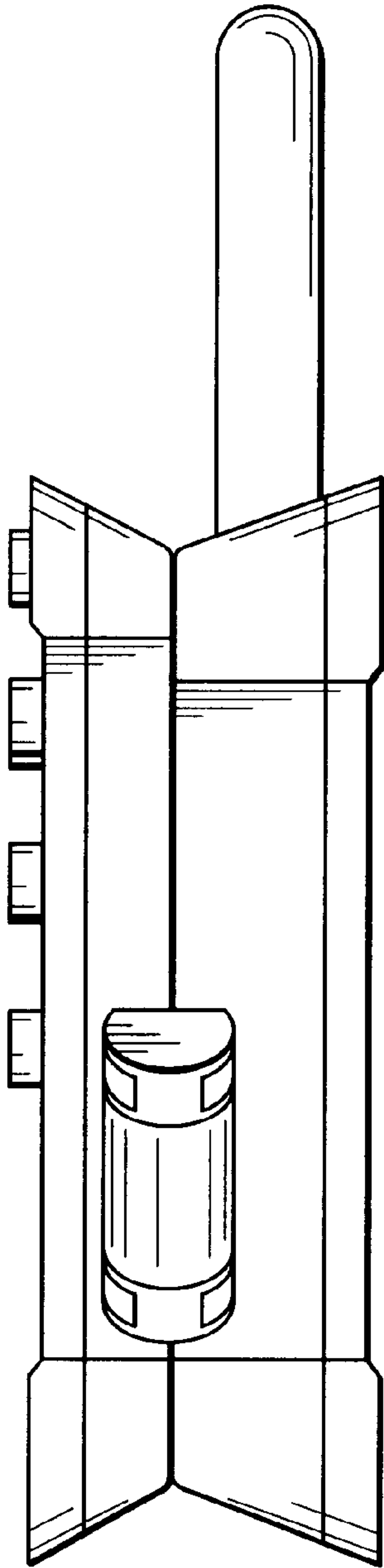


FIG. 6

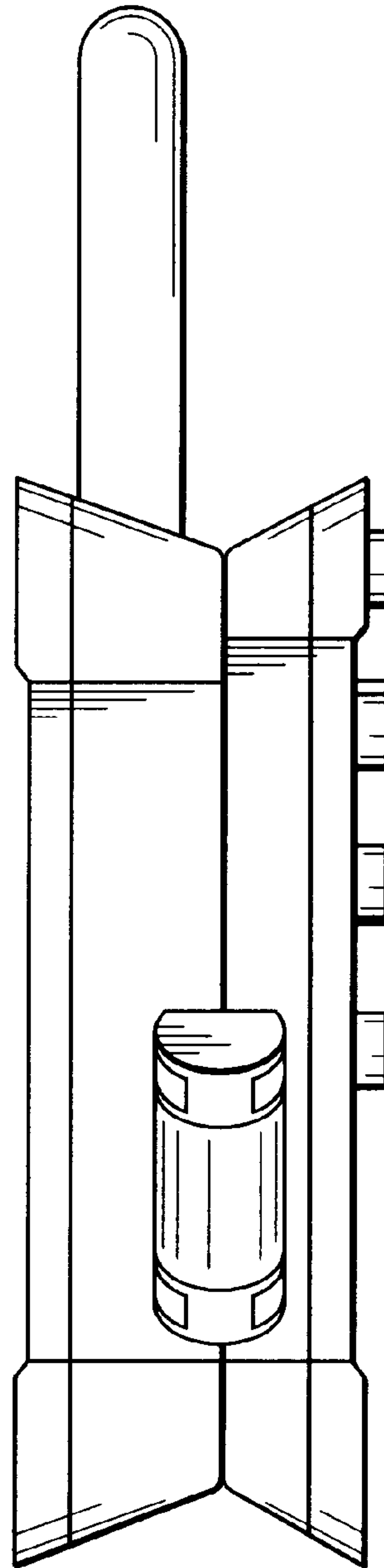


FIG. 7