



US00D490857S

(12) **United States Design Patent**
Snell

(10) **Patent No.:** **US D490,857 S**

(45) **Date of Patent:** **** Jun. 1, 2004**

(54) **MAGNETIC MEMO CENTER**

D391,990 S * 3/1998 Wolff D19/78

(75) Inventor: **Russell Benton Snell**, Bentleyville, OH (US)

* cited by examiner

Primary Examiner—Martie K. Holtje

(73) Assignee: **InterDesign, Inc.**, Solon, OH (US)

(74) *Attorney, Agent, or Firm*—D. Peter Hochberg; Sean Mellino; Katherine R. Vieyra

(**) Term: **14 Years**

(57) **CLAIM**

(21) Appl. No.: **29/180,469**

The ornamental design for a magnetic memo center, as shown and described.

(22) Filed: **Apr. 24, 2003**

DESCRIPTION

(51) **LOC (7) Cl.** **19-06**

(52) **U.S. Cl.** **D19/78; D6/553; D19/84; D19/90**

(58) **Field of Search** D19/36, 65, 75, D19/77, 78, 81–85, 86, 90, 91, 99, 100, 20–22; D6/553, 573, 574, 466; 211/10, 11, 45, 50, 55, 69.1–69.9, 88.01, 126.13; 206/214, 224, 371

FIG. 1 is a perspective view of the magnetic memo center according to the invention;

FIG. 2 is a top plan view of the magnetic memo center as shown in FIG. 1;

FIG. 3 is a front view of the magnetic memo center as shown in FIG. 1;

FIG. 4 is a right side view of the magnetic memo center as shown in FIG. 1;

FIG. 5 is a rear view of the magnetic memo center as shown in FIG. 1;

FIG. 6 is a left side view of the magnetic memo center as shown in FIG. 1; and,

FIG. 7 is a bottom view of the magnetic memo center as shown in FIG. 1.

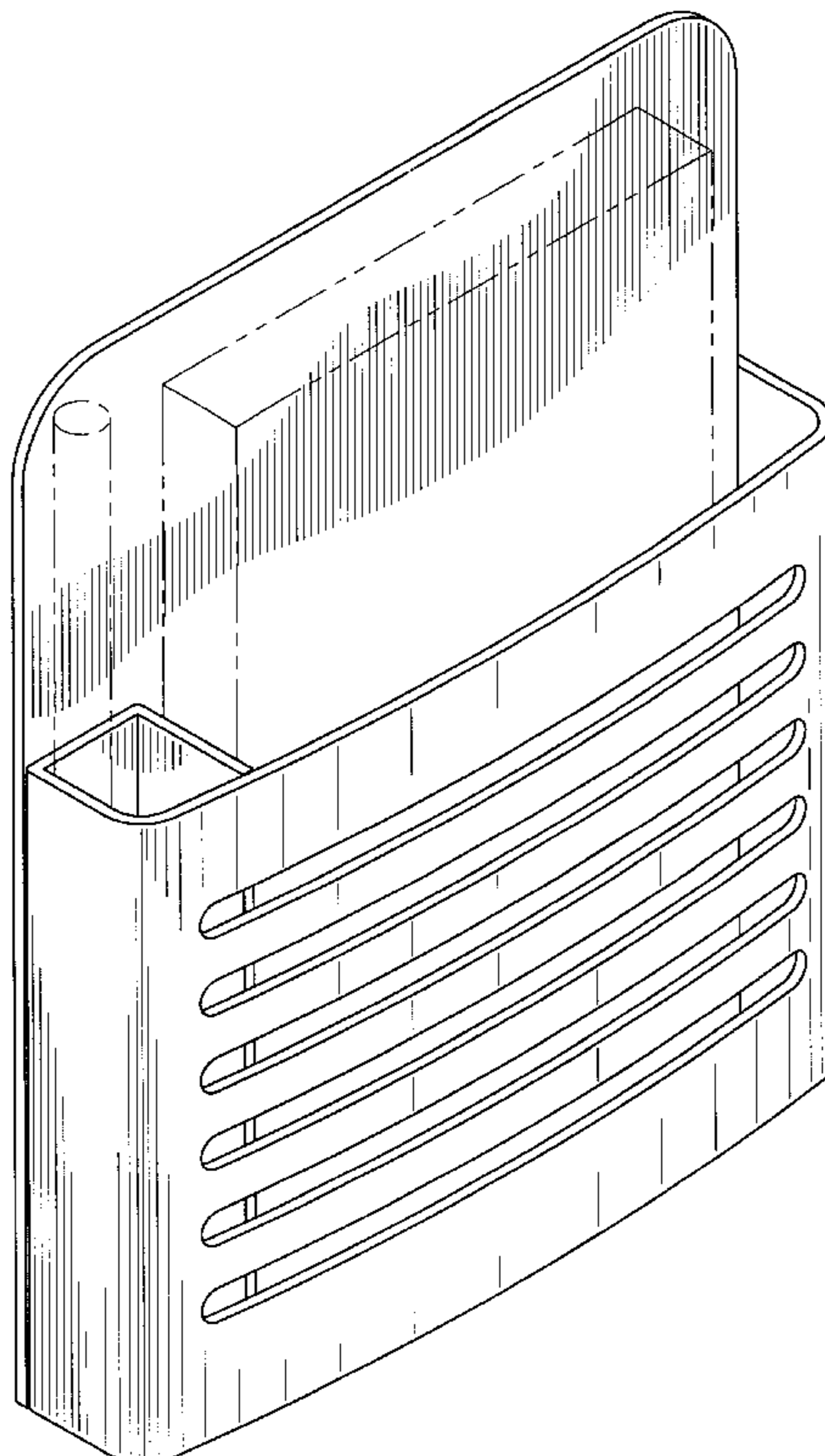
The writing instrument and pad of paper depicted by means of broken lines in FIGS. 1 through 4 and 6 have been shown for illustrative purposes only and form no part of the claimed design.

(56) **References Cited**

U.S. PATENT DOCUMENTS

D162,153 S	*	2/1951	Gilfert	D19/78
D227,510 S	*	6/1973	Pisciotta	D19/78
4,100,684 A	*	7/1978	Berger	211/50 X
D267,808 S	*	2/1983	Russo	D19/78
D268,118 S	*	3/1983	Herr et al.	D19/22
D307,445 S	*	4/1990	Greenhut et al.	D19/78
5,000,327 A	*	3/1991	Kincheloe	211/88.01
D345,761 S	*	4/1994	Bolds	D19/78
D365,850 S	*	1/1996	Romans	D19/36

1 Claim, 3 Drawing Sheets



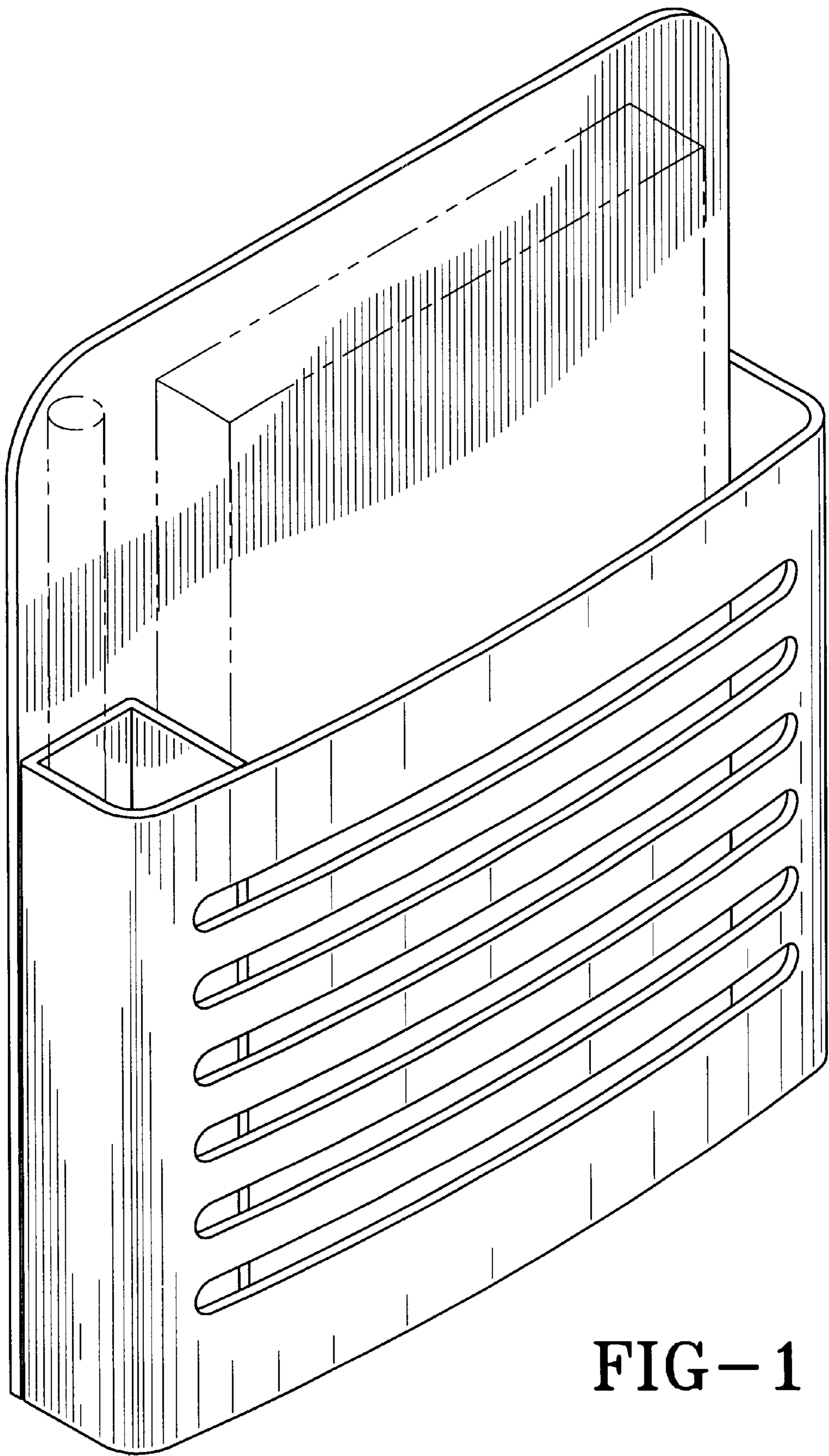


FIG-1

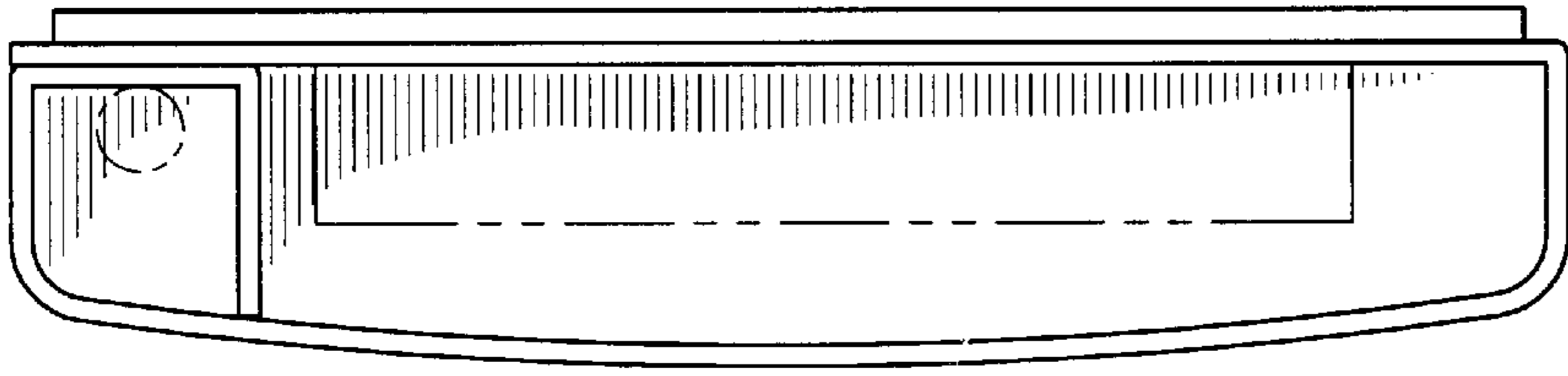


FIG-2

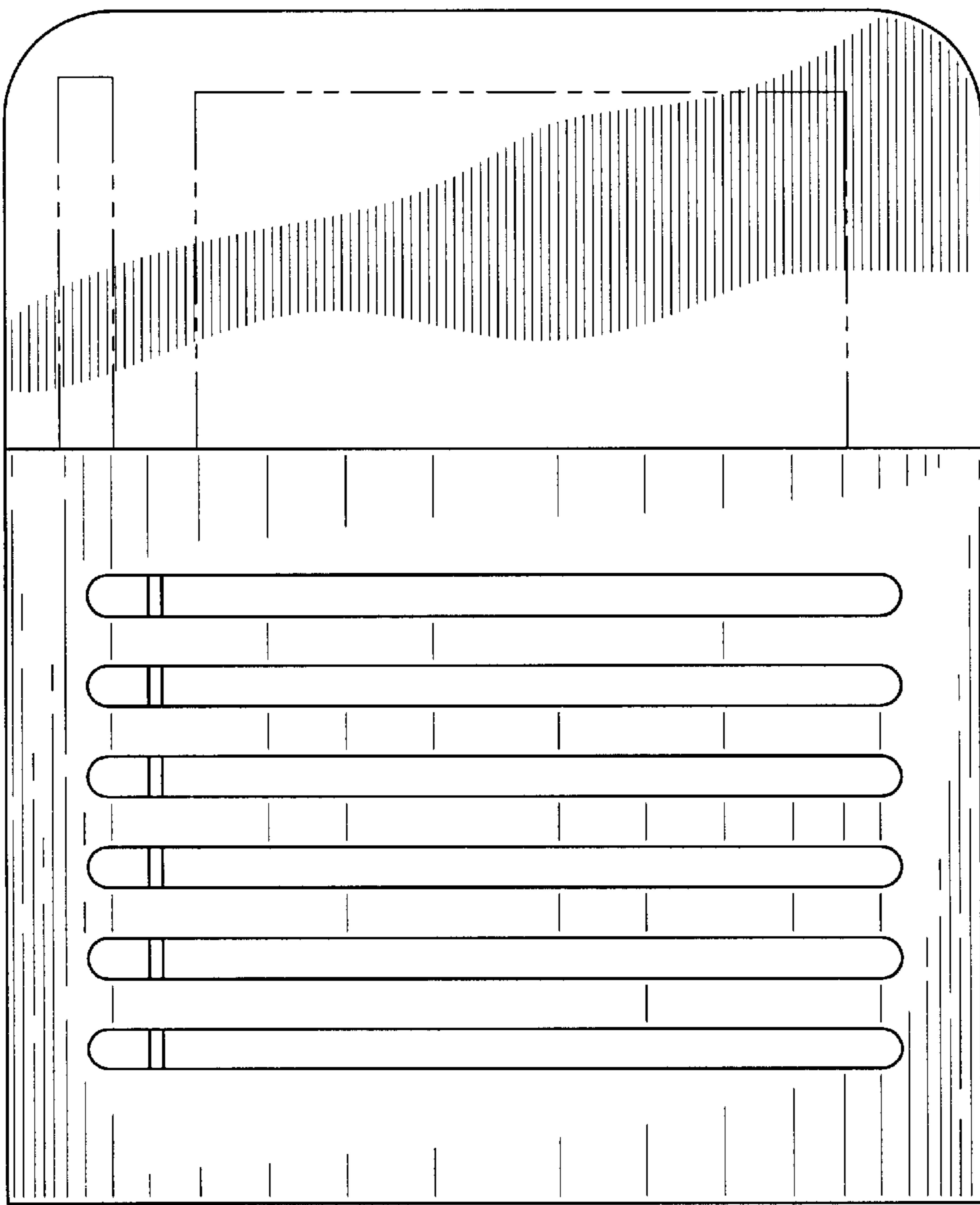


FIG-3

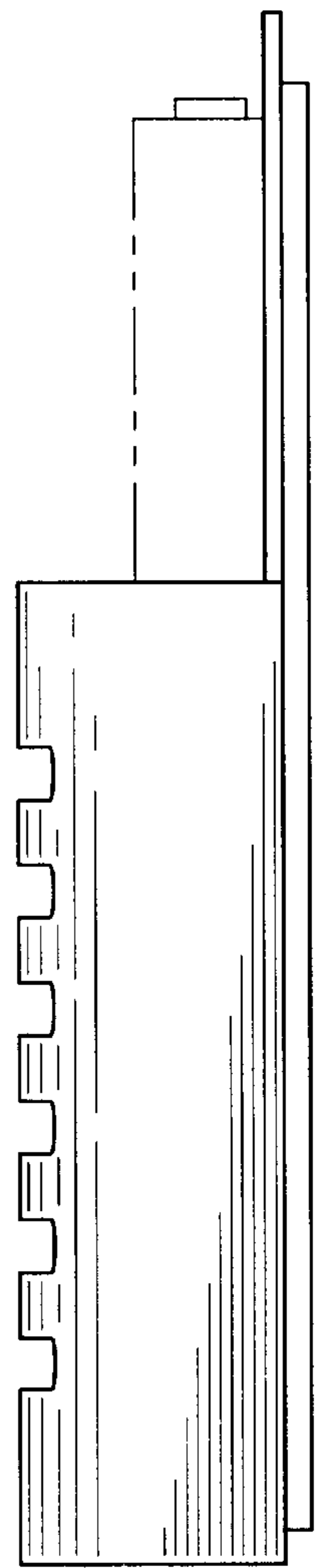


FIG-4

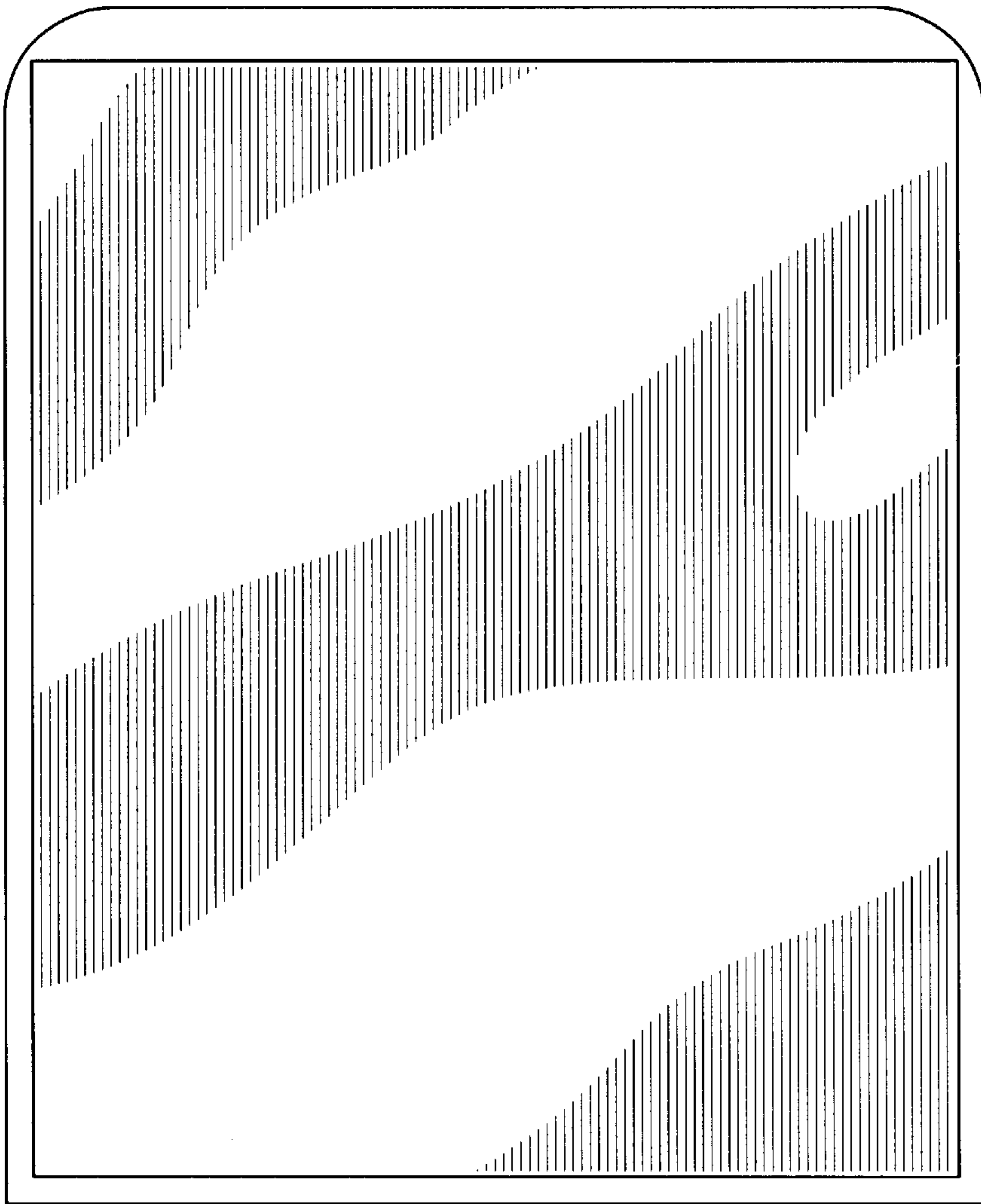


FIG-5

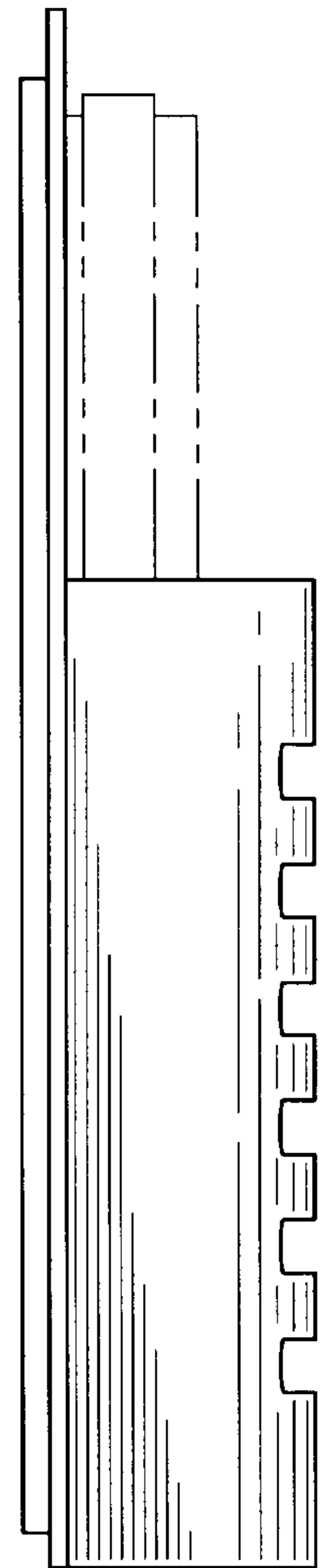


FIG-6

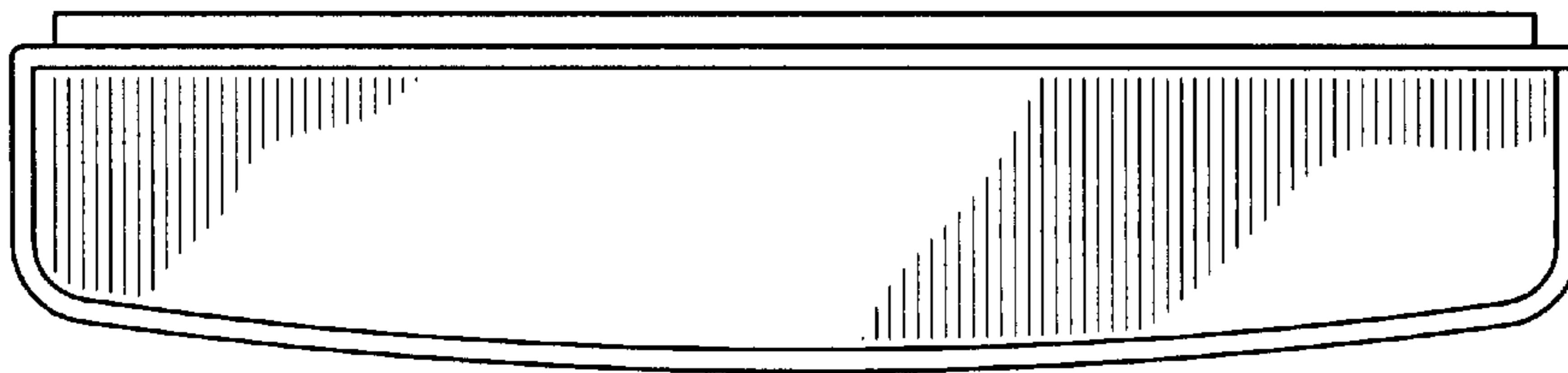


FIG-7