



US00D490856S

(12) **United States Design Patent**  
**Passarella**

(10) **Patent No.:** **US D490,856 S**

(45) **Date of Patent:** **\*\* Jun. 1, 2004**

(54) **BOOK ANNOTATION STATION**  
(75) Inventor: **Lee Passarella**, Delray Beach, FL (US)  
(73) Assignee: **Levenger Company**, Delray Beach, FL (US)  
(\*\*) Term: **14 Years**

4,570,793 A \* 2/1986 O'Neil et al. .... 206/371  
4,768,298 A \* 9/1988 Polhemus et al. .... 40/358  
5,101,756 A \* 4/1992 Strumbos ..... 116/234  
D327,092 S \* 6/1992 Evenson ..... D19/75  
D331,942 S \* 12/1992 Kirchner ..... D19/78  
D336,926 S \* 6/1993 Brüsing ..... D19/75  
D352,067 S \* 11/1994 Mund et al. .... D19/77 X  
5,582,295 A \* 12/1996 Bryndle ..... 206/447

(21) Appl. No.: **29/169,302**  
(22) Filed: **Oct. 17, 2002**  
(51) **LOC (7) Cl.** ..... **19-06**  
(52) **U.S. Cl.** ..... **D19/78; D19/75; D19/83; D19/95**  
(58) **Field of Search** ..... D19/36, 65, 75, D19/78, 81-85, 86, 92, 93, 95, 99, 100; 206/214, 215, 224, 371, 557; 211/10, 11, 13.1, 42, 45, 50, 69.1-69.9, 126.13

\* cited by examiner

*Primary Examiner*—Martie K. Holtje  
(74) *Attorney, Agent, or Firm*—Akerman Senterfitt

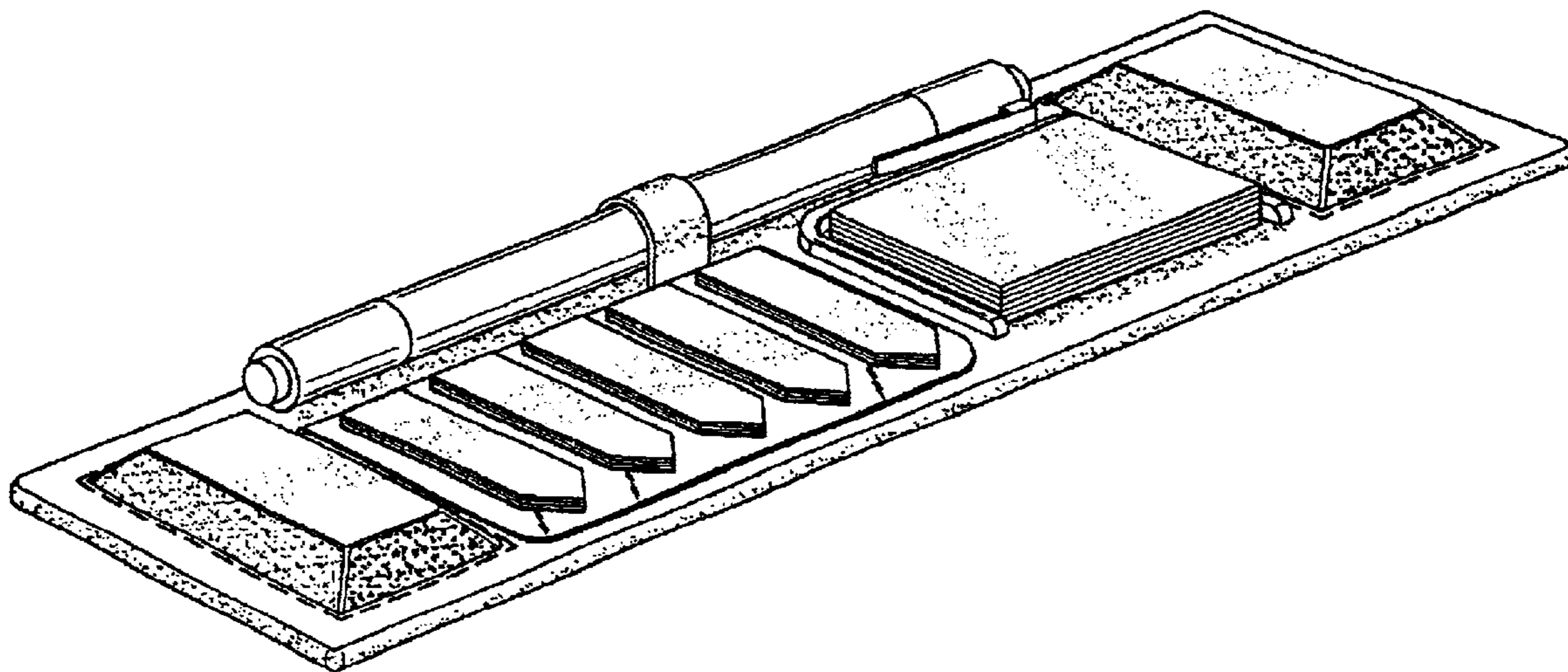
(56) **References Cited**  
**U.S. PATENT DOCUMENTS**  
D67,588 S \* 6/1925 Falder ..... D19/75 X  
D184,013 S \* 12/1958 Jarvi ..... D19/92  
D189,489 S \* 12/1960 Jackson ..... D19/75 X  
3,583,358 A \* 6/1971 Hanson, Jr. .... 116/235  
D245,783 S \* 9/1977 Fieni ..... D19/75

(57) **CLAIM**  
The ornamental design for a book annotation station, as shown and described.

**DESCRIPTION**

FIG. 1 is a top plan view;  
FIG. 2 is a bottom plan view;  
FIG. 3 is a front elevation view;  
FIG. 4 is a rear elevation view;  
FIG. 5 is a right side elevation view;  
FIG. 6 is a left side elevation view; and,  
FIG. 7 is a perspective view thereof.

**1 Claim, 2 Drawing Sheets**



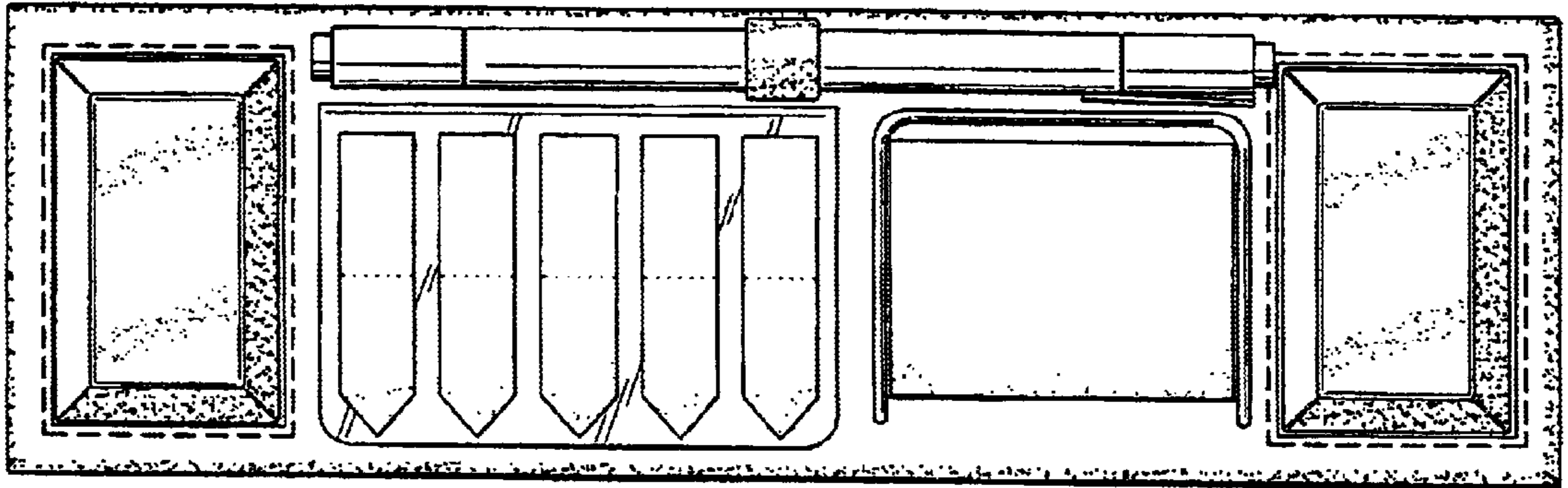


FIG. 1

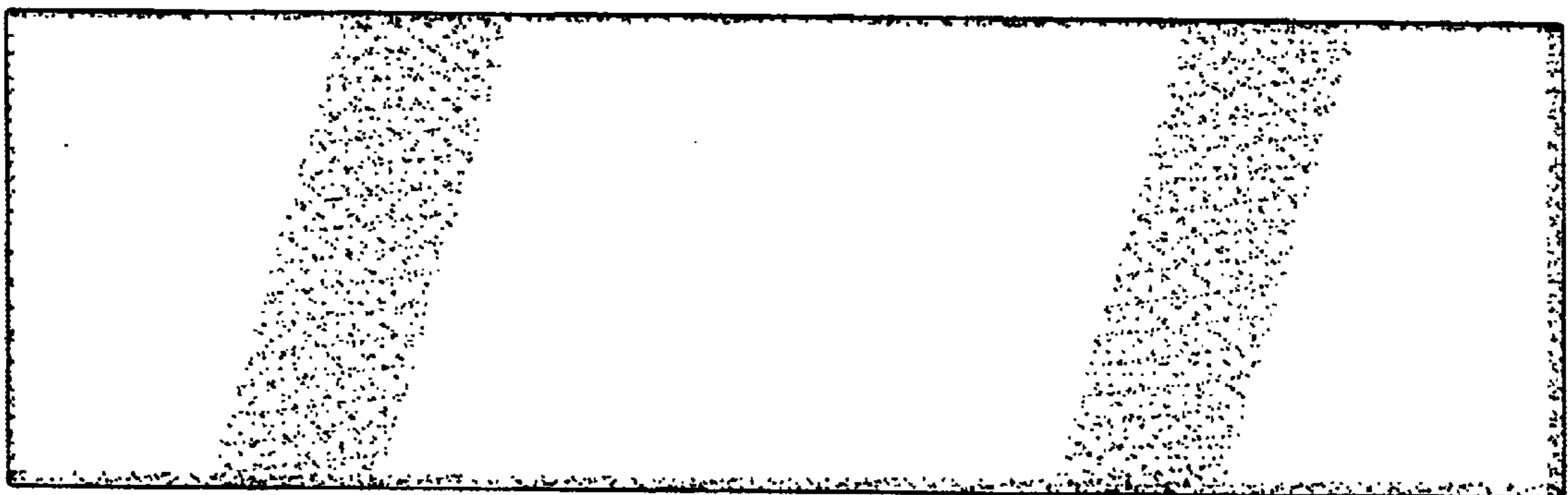


FIG. 2



FIG. 3



FIG. 4



FIG. 5



FIG. 6

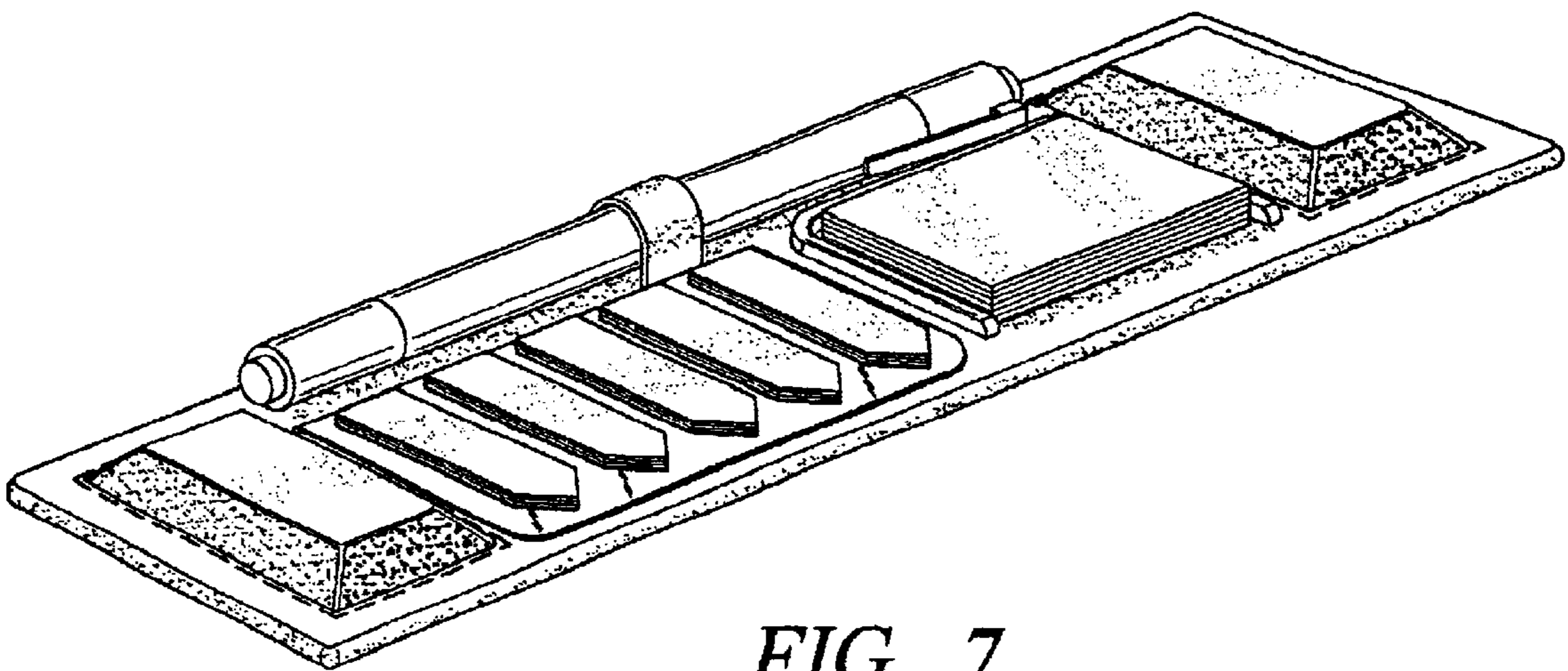


FIG. 7