



US00D490851S

(12) **United States Design Patent**
Losel

(10) **Patent No.:** **US D490,851 S**

(45) **Date of Patent:** **** Jun. 1, 2004**

(54) **BALL POINT PEN**

(75) Inventor: **Helmut Losel**, Brensbach (DE)

(73) Assignee: **Jacob Ritter GmbH**, Brensbach (DE)

(**) Term: **14 Years**

(21) Appl. No.: **29/176,826**

(22) Filed: **Feb. 26, 2003**

(30) **Foreign Application Priority Data**

Nov. 1, 2002 (DE) 402 09 104

(51) **LOC (7) Cl.** **19-06**

(52) **U.S. Cl.** **D19/51; D19/55; D19/56**

(58) **Field of Search** D19/35, 36, 41-51,
D19/53-58, 81-85; 401/6, 7, 88, 99, 100,
101, 103-106, 107-110, 111-117, 209

(56) **References Cited**

U.S. PATENT DOCUMENTS

D228,369 S * 9/1973 Longarzo D19/51
D363,084 S * 10/1995 Hollington D19/51

5,558,452 A * 9/1996 Oka et al. 401/6
D375,525 S * 11/1996 Gacia D19/51
D418,873 S * 1/2000 Shen D19/51
D446,243 S * 8/2001 Pellissa Beneyto D19/51
D471,931 S * 3/2003 Lecce D19/51

* cited by examiner

Primary Examiner—Martie K. Holtje

(74) *Attorney, Agent, or Firm*—Smith, Gambrell & Russell, LLP

(57) **CLAIM**

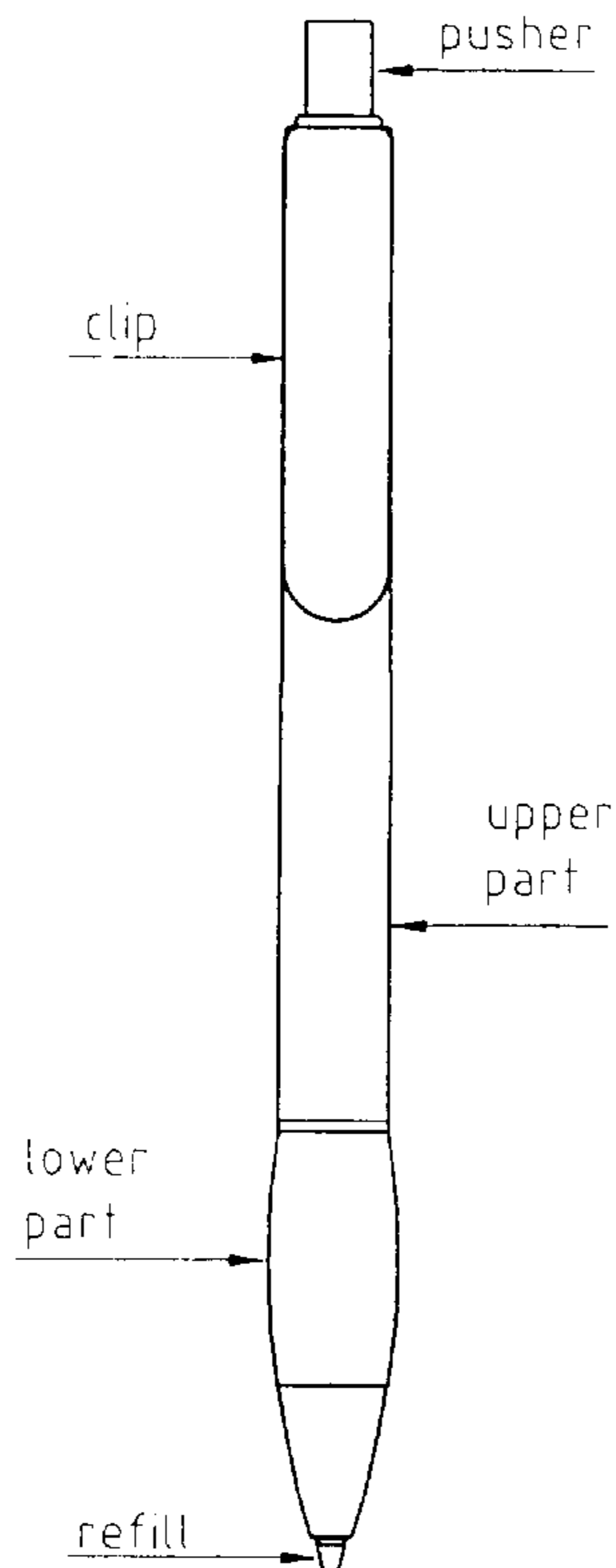
The ornamental design for a ball point pen, as shown and described.

DESCRIPTION

FIG. 1 is a front view of a ball point of the present invention; FIG. 2 is a rear view thereof; FIG. 3 is a left side view thereof; FIG. 4 is a right side view thereof; FIG. 5 is a top plan view thereof; and, FIG. 6 is a bottom view thereof.

1 Claim, 1 Drawing Sheet

FROM THE FRONT



FROM THE FRONT

AT THE BACK

LEFT SIDE

RIGHT SIDE

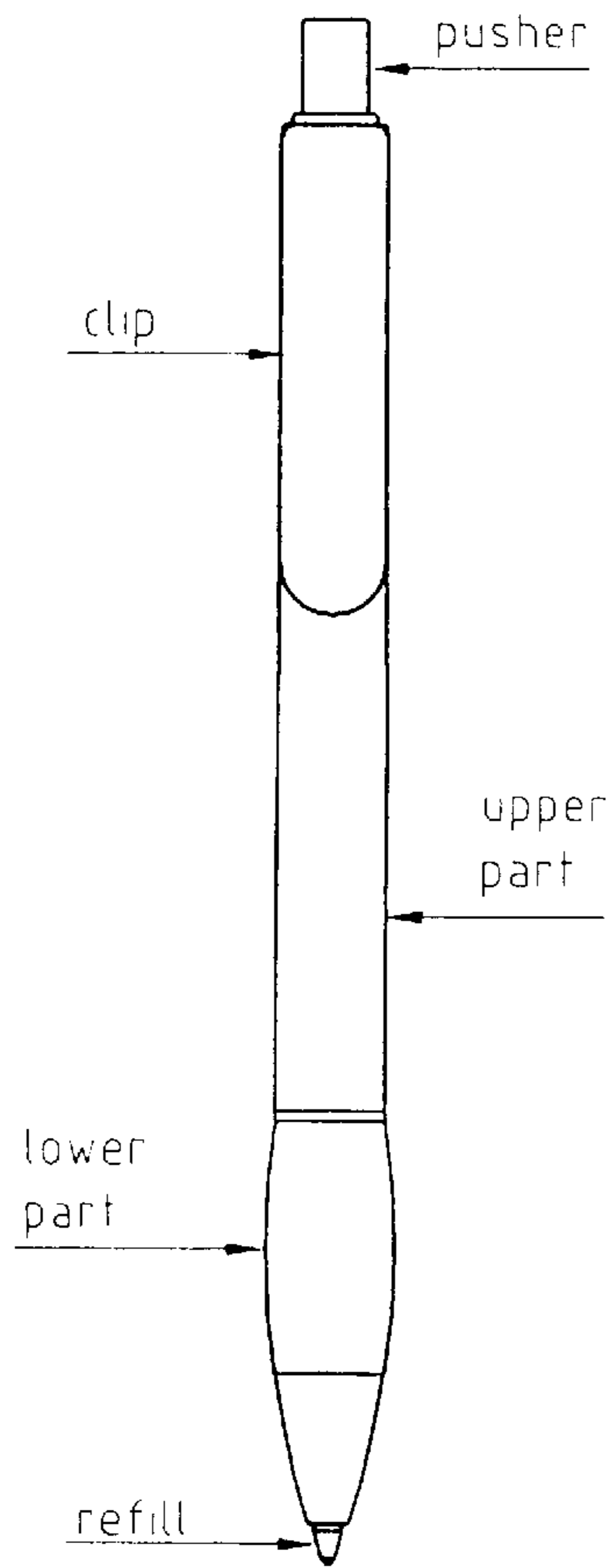


FIG. 1

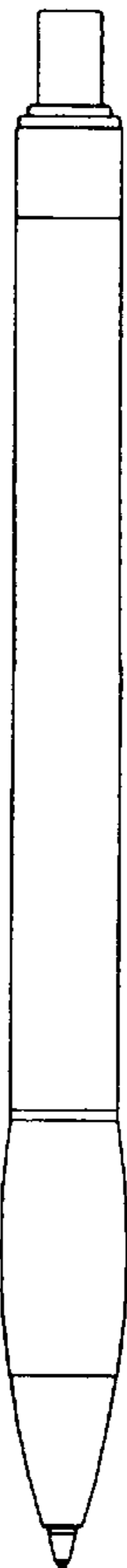


FIG. 2



FIG. 3

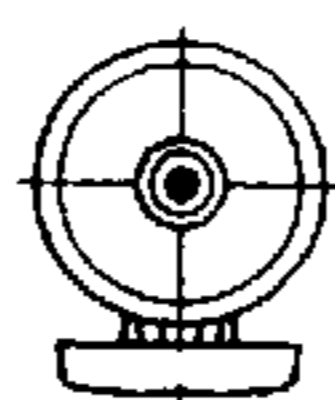


FIG. 4



FROM ABOVE

FIG. 5



FROM BELOW

FIG. 6