



US00D490848S

(12) **United States Design Patent**
Pope et al.

(10) **Patent No.:** **US D490,848 S**
(45) **Date of Patent:** **** Jun. 1, 2004**

(54) **ROTATING CARROUSEL STORAGE DEVICE**

(76) Inventors: **Benjamin David Pope**, 43259 Herring Dr., Clinton Twp., MI (US) 48038;
David Vittorio Bassi, 41622 Amberly, Clinton Twp., MI (US) 48038

(**) Term: **14 Years**

(21) Appl. No.: **29/176,419**

(22) Filed: **Feb. 24, 2003**

(51) **LOC (7) Cl.** **19-06**

(52) **U.S. Cl.** **D19/36; D19/77**

(58) **Field of Search** D19/35, 36, 65,
D19/75, 77, 78, 81-85, 95, 99, 100; D6/512,
469; 211/39, 65, 69.1-69.9, 70; 206/214,
216, 224, 371

(56) **References Cited**

U.S. PATENT DOCUMENTS

156,572 A	*	11/1874	James	211/65
2,946,456 A		7/1960	Liguori		
3,359,228 A		12/1967	Nichols		
D234,381 S	*	2/1975	Berger	D6/469
D271,655 S		12/1983	Numbers		
4,438,853 A		3/1984	Numbers		
4,643,104 A		2/1987	Rasmussen		
4,773,544 A	*	9/1988	McCarthy	211/69.1
D301,422 S	*	6/1989	Schmidt	D19/35 X
4,884,701 A		12/1989	Nymark		
4,901,846 A		2/1990	Lehman		

4,972,947 A	*	11/1990	McCarthy	206/214
5,076,444 A	*	12/1991	Syms	211/69.5
D354,989 S		1/1995	West		
5,379,885 A	*	1/1995	Chen	206/216
D361,223 S		8/1995	Sanson		
5,641,080 A		6/1997	Humphrey		
5,655,671 A	*	8/1997	Barry et al.	211/70
5,772,050 A	*	6/1998	Shih	211/39
6,439,406 B1		8/2002	Duhon		
6,457,593 B1	*	10/2002	Hsu	211/69.1

* cited by examiner

Primary Examiner—Martie K. Holtje
(74) *Attorney, Agent, or Firm*—Reising, Ethington, Barnes, Kisselle, P.C.

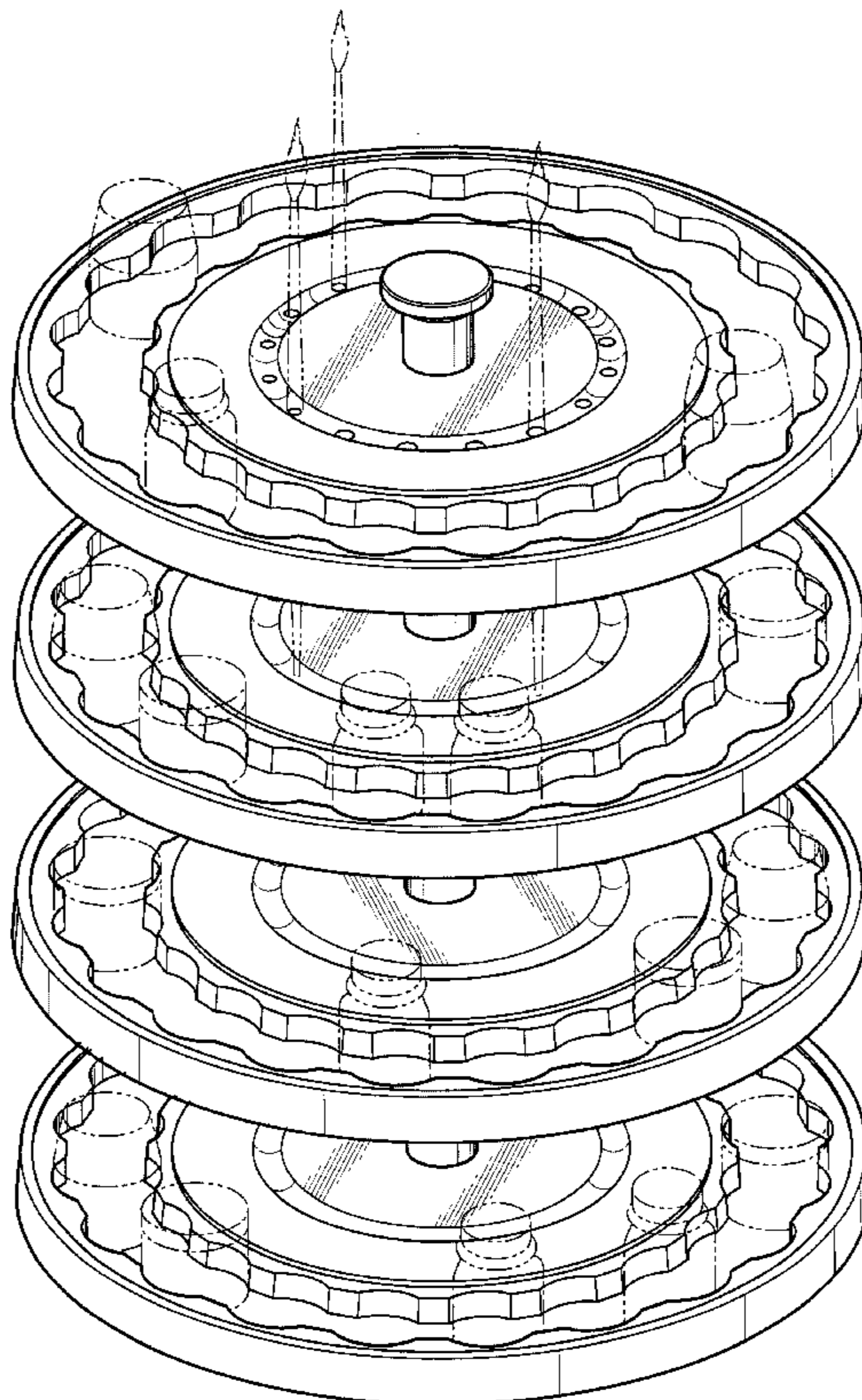
(57) **CLAIM**

The ornamental design for a rotating carousel storage device, as shown and described.

DESCRIPTION

FIG. 1 is a perspective view of a rotating carousel storage device embodying the ornamental design;
FIG. 2 is a top view of the ornamental design of FIG. 1;
FIG. 3 is a bottom view of the ornamental design of FIG. 1;
and,
FIG. 4 is an alternative embodiment having fewer storage levels.
The paint containers and brushes depicted by means of broken lines in FIGS. 1 and 4 have been shown for illustrative purposes only and form no part of the claimed design.

1 Claim, 4 Drawing Sheets



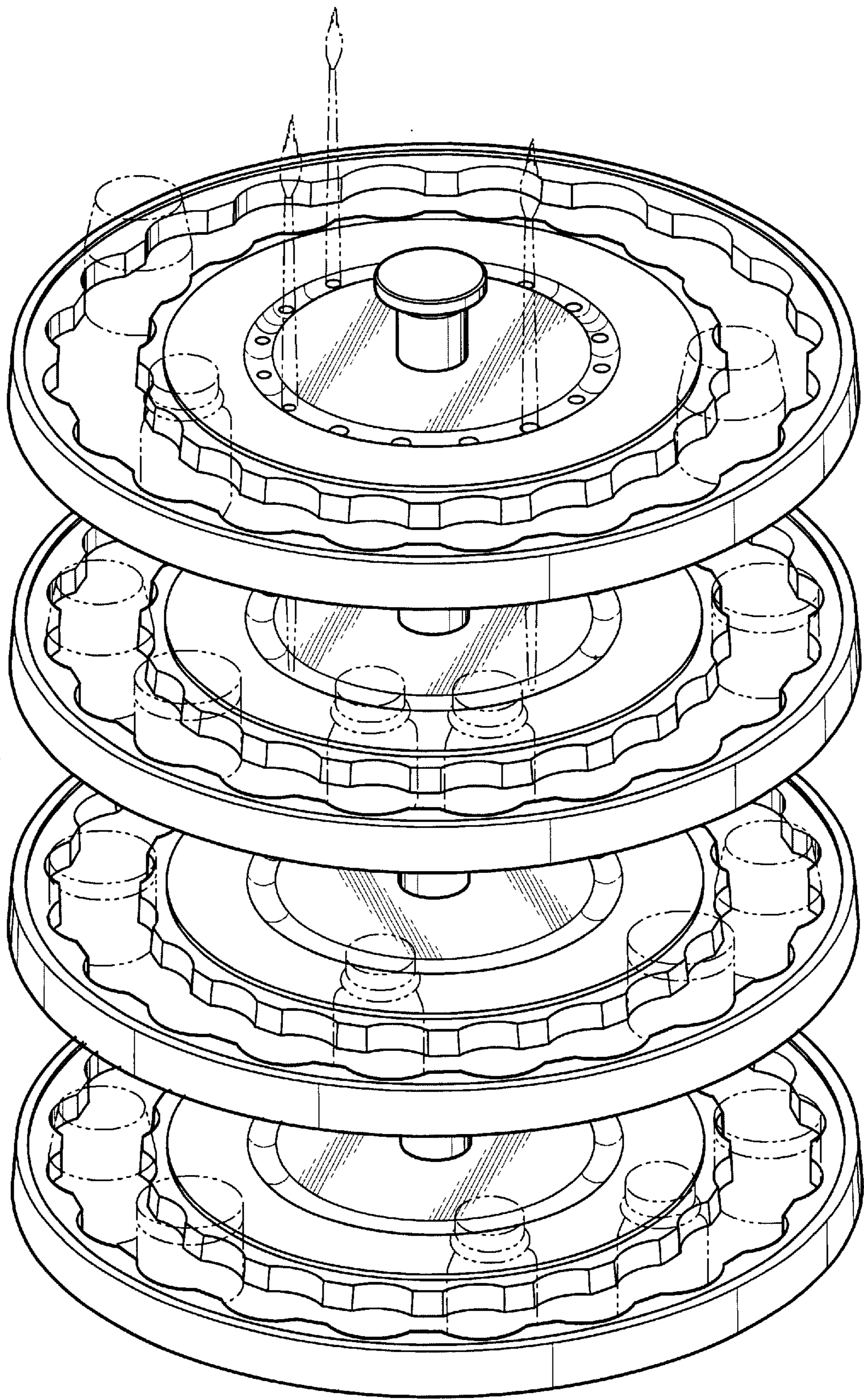


FIG - 1

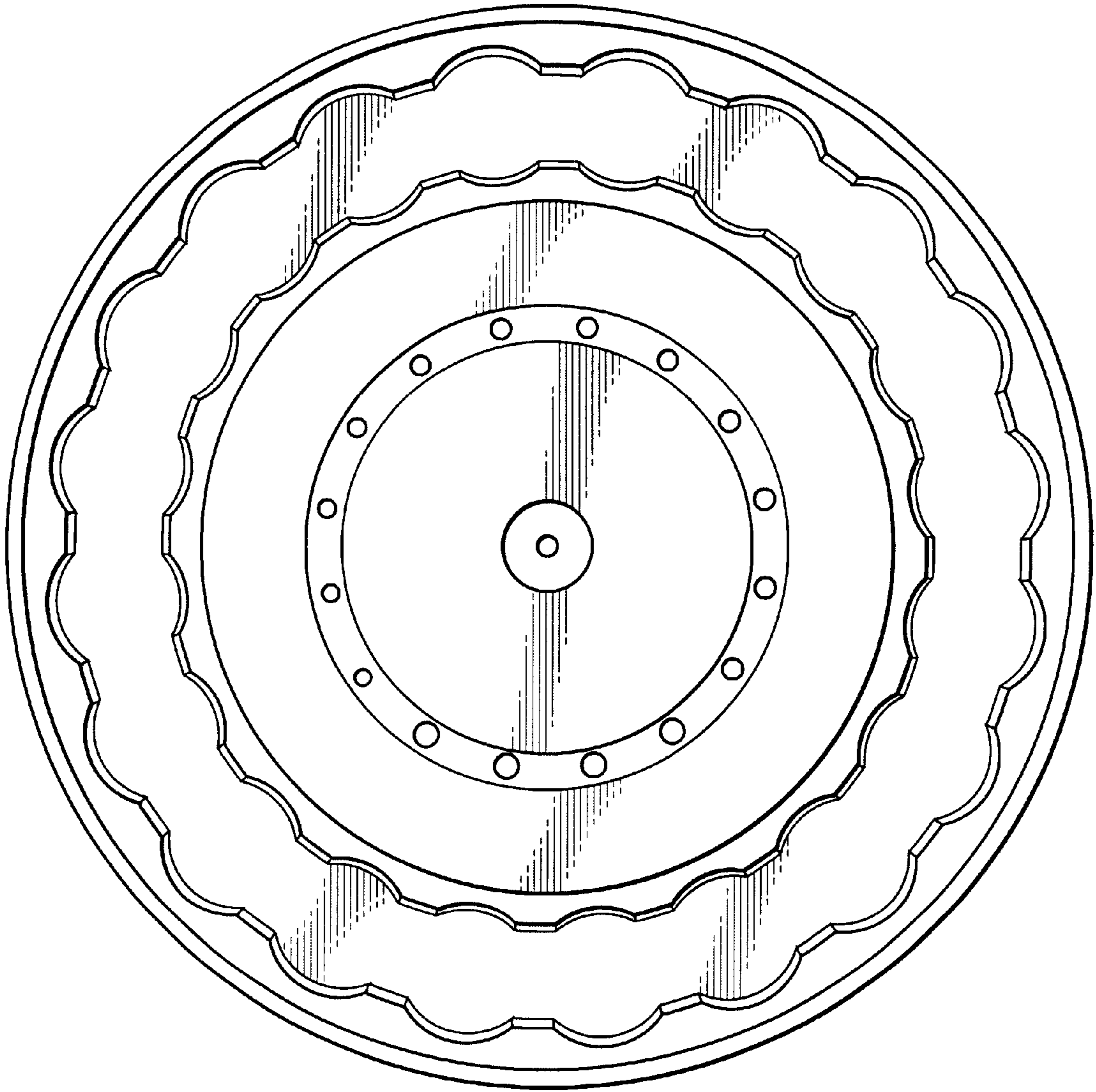


FIG - 2

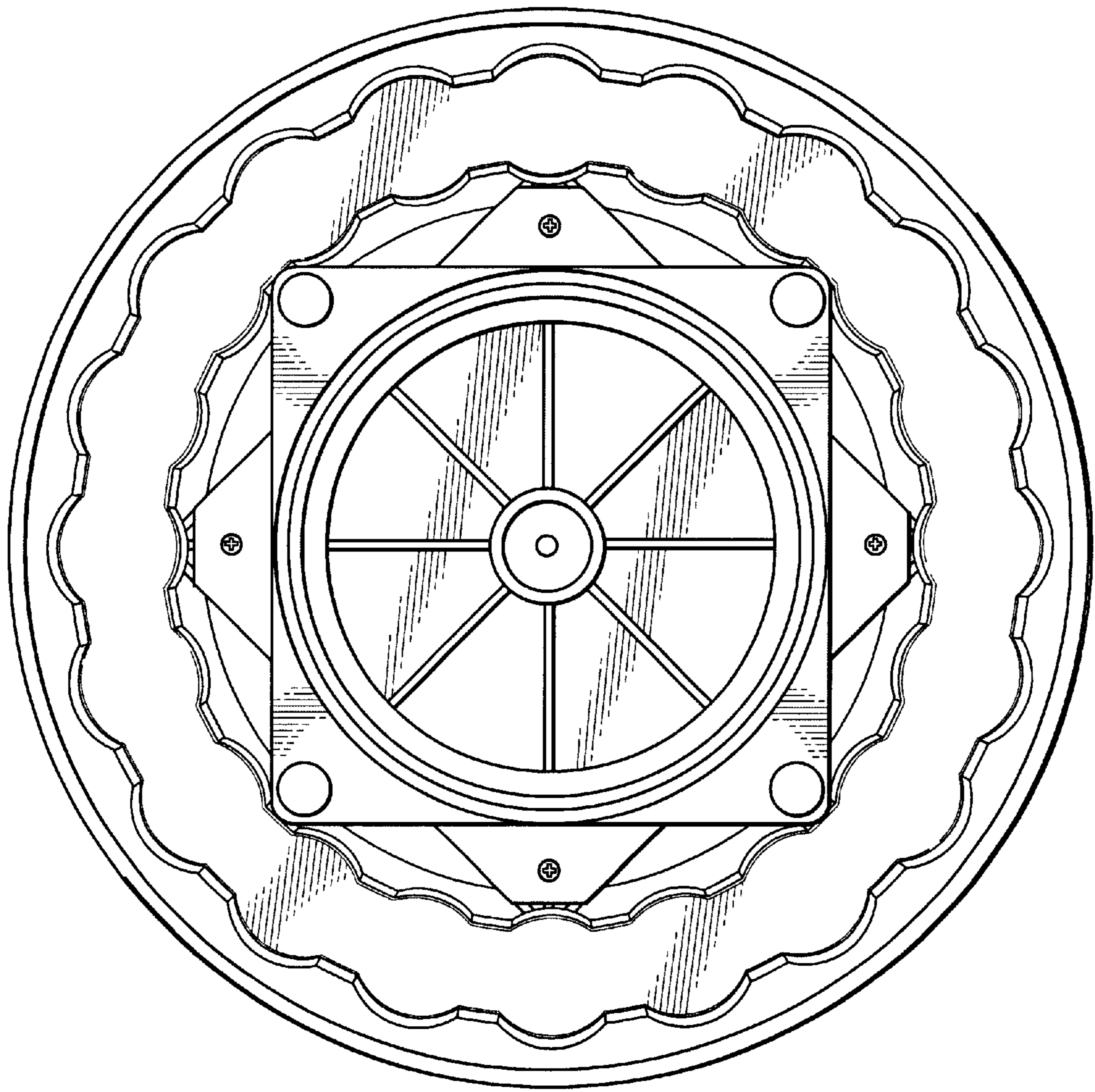


FIG - 3

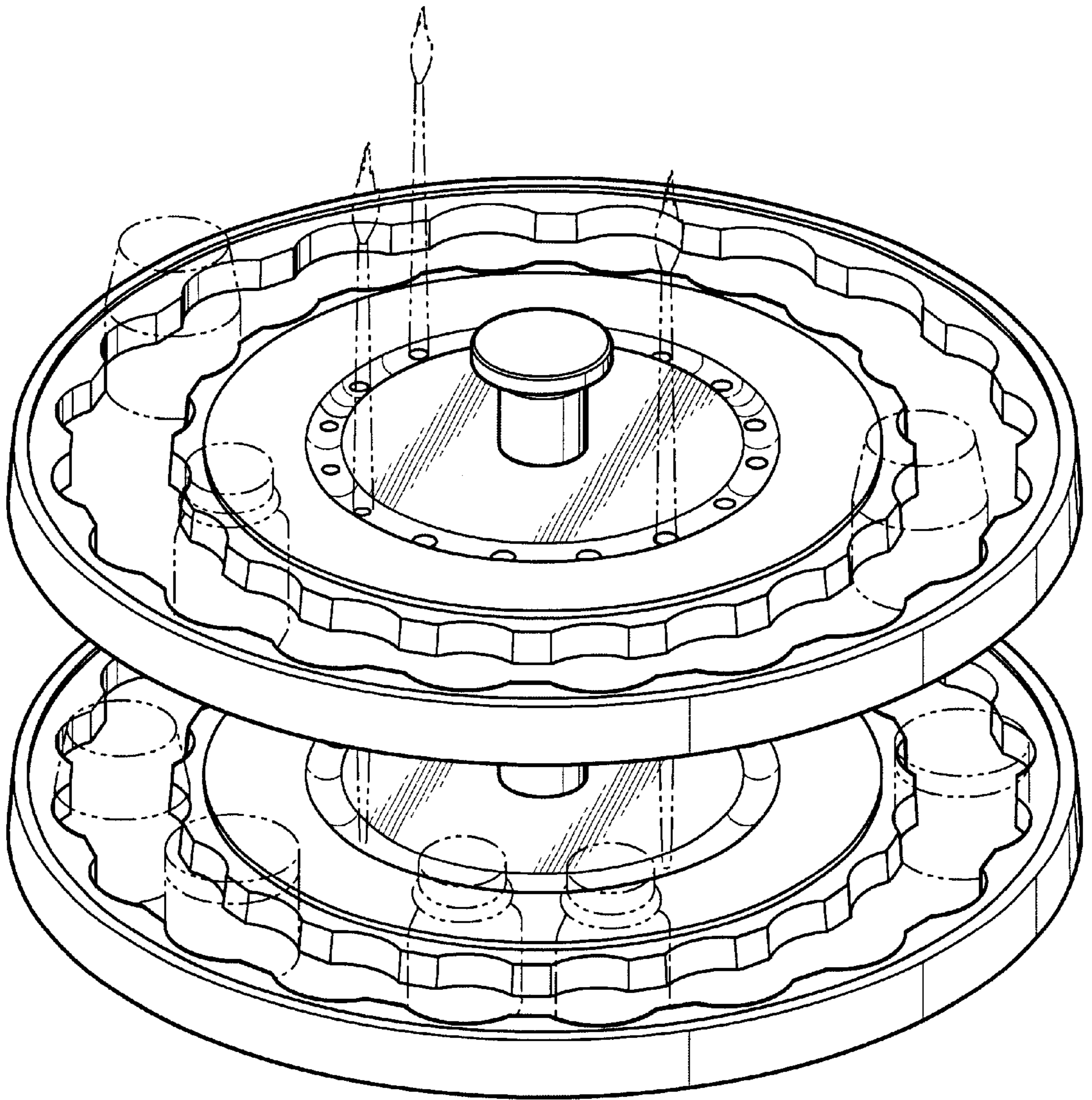


FIG - 4