



US00D490847S

(12) **United States Design Patent**
Greenway

(10) **Patent No.:** **US D490,847 S**

(45) **Date of Patent:** **** Jun. 1, 2004**

(54) **BINDER INSERT**

(75) **Inventor:** **Theresa A. Greenway**, Charlestown, RI (US)

(73) **Assignee:** **H2O Front, LLC**, Carolina, RI (US)

(**) **Term:** **14 Years**

(21) **Appl. No.:** **29/183,302**

(22) **Filed:** **Jun. 10, 2003**

(51) **LOC (7) Cl.** **19-04**

(52) **U.S. Cl.** **D19/33; D6/626**

(58) **Field of Search** D19/1, 2, 26, 27, D19/33; D6/626, 300-303, 314; 402/79, 80 P, 80 R, 70; 281/31, 38; 40/700, 701, 726, 737, 765, 771, 775, 776, 798

(56) **References Cited**

U.S. PATENT DOCUMENTS

RE22,417 E	1/1944	Hassenfeld	
D225,791 S	* 1/1973	Nast D19/33
4,061,224 A	12/1977	Fuhri	
4,294,348 A	10/1981	Hastings	
D268,190 S	* 3/1983	Nast D6/626
4,852,930 A	8/1989	Agee	
D325,817 S	* 5/1992	Call D6/626
5,431,449 A	* 7/1995	Arimoto et al. 281/31
5,601,431 A	2/1997	Howard	

5,688,125 A	11/1997	Birdsong-Raffo	
5,743,407 A	4/1998	Williams	
5,823,573 A	* 10/1998	Chang 281/38
5,881,850 A	3/1999	Murdoch	
6,039,495 A	* 3/2000	Zimmerman et al. 402/79
6,632,042 B1	* 10/2003	Liener Chin et al. 402/79
6,652,178 B2	* 11/2003	Walton 402/79

* cited by examiner

Primary Examiner—Martie K. Holtje

(74) *Attorney, Agent, or Firm*—Salter & Michaelson

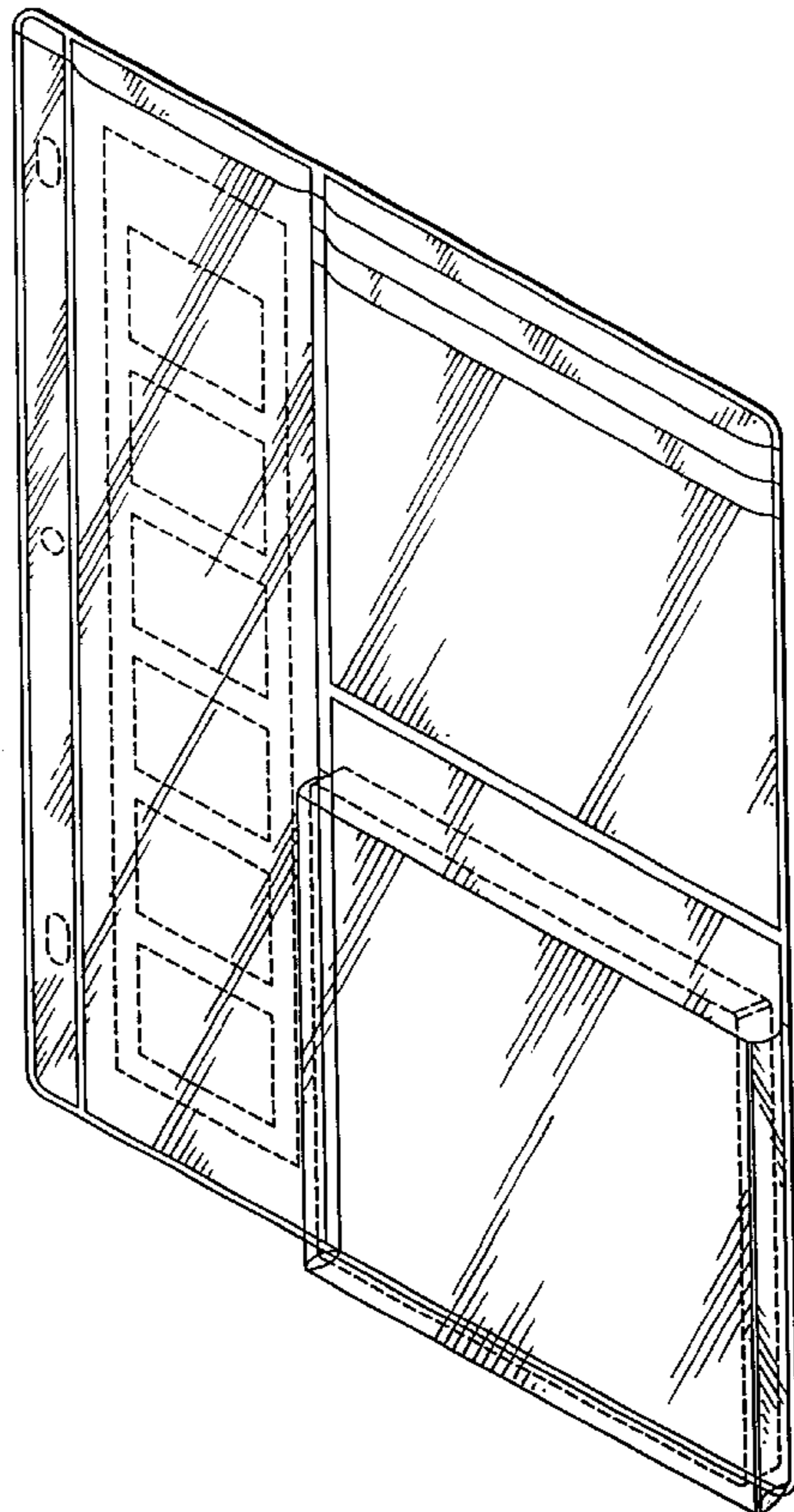
(57) **CLAIM**

The ornamental design for a binder insert, as shown and described.

DESCRIPTION

FIG. 1 is a perspective view of a binder insert showing my new design with materials inserted therein;
 FIG. 2 is a perspective view thereof;
 FIG. 3 is a front elevational view thereof;
 FIG. 4 is a rear elevational view thereof;
 FIG. 5 is a top plan view thereof.
 FIG. 6 is a bottom plan view thereof;
 FIG. 7 is a right side elevational view thereof; and,
 FIG. 8 is a left side elevational view thereof.
 The portions shown in broken lines are included for illustrative purposes only and form no part of the claimed design.

1 Claim, 5 Drawing Sheets



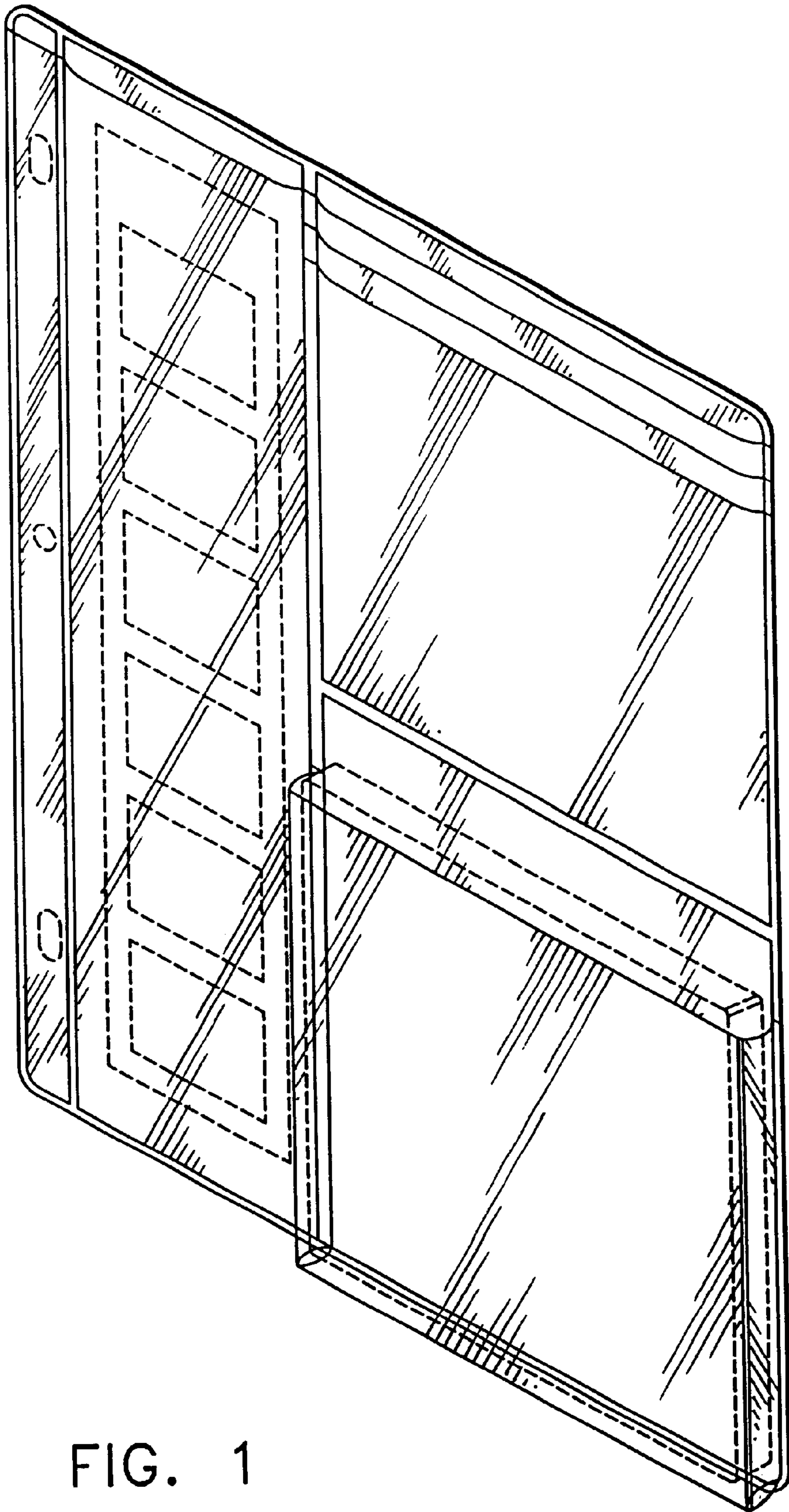


FIG. 1

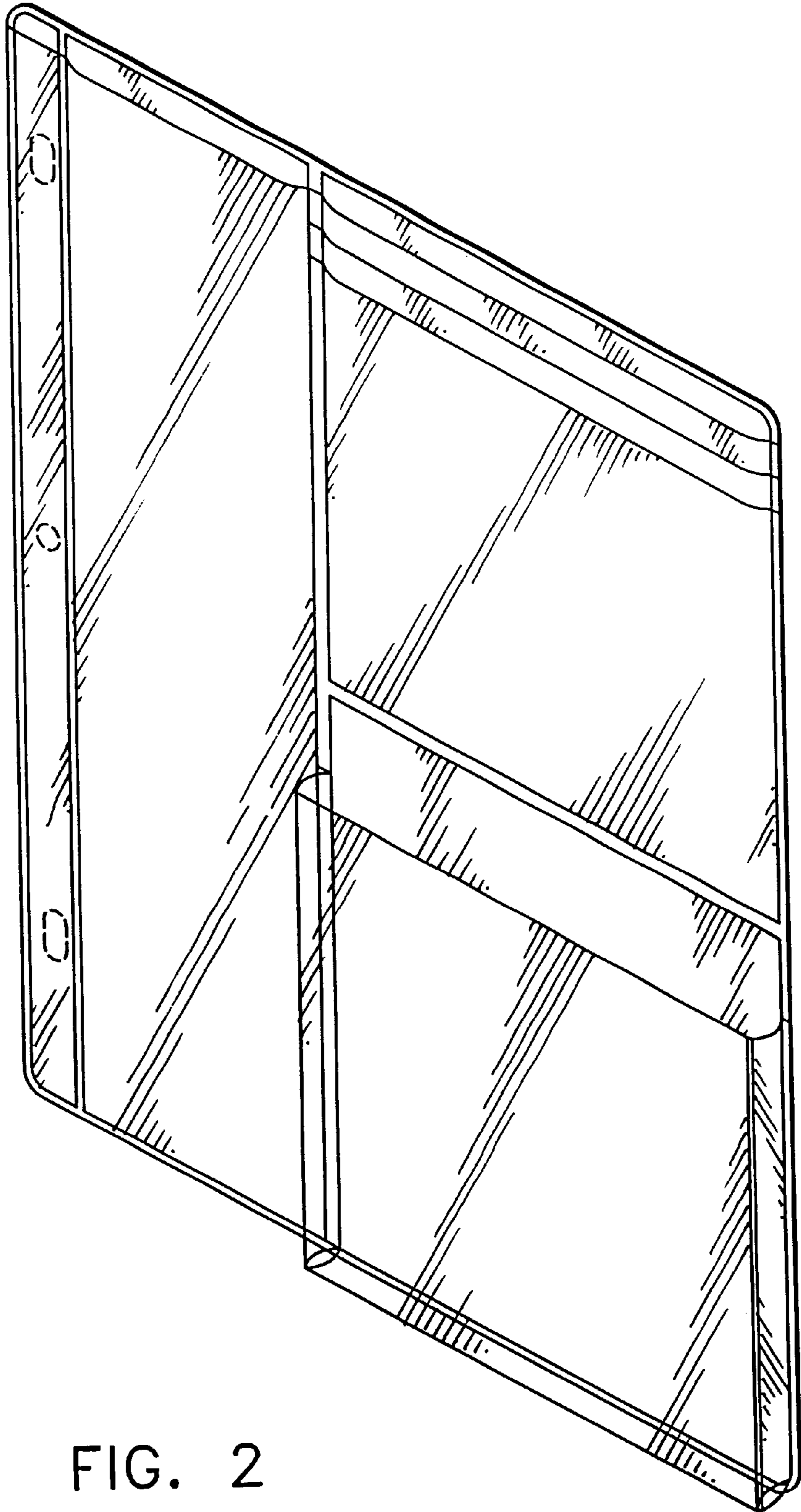


FIG. 2

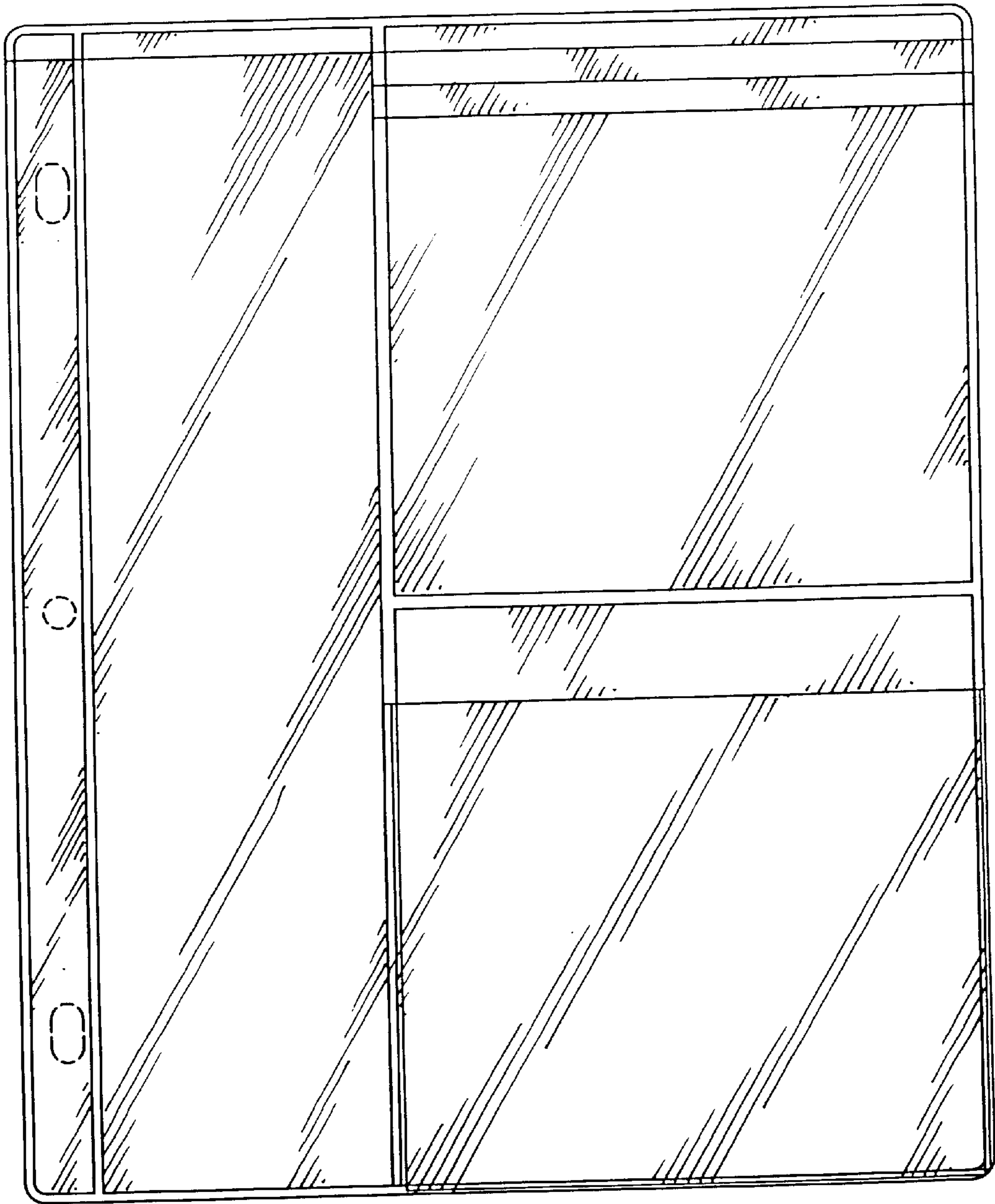


FIG. 3

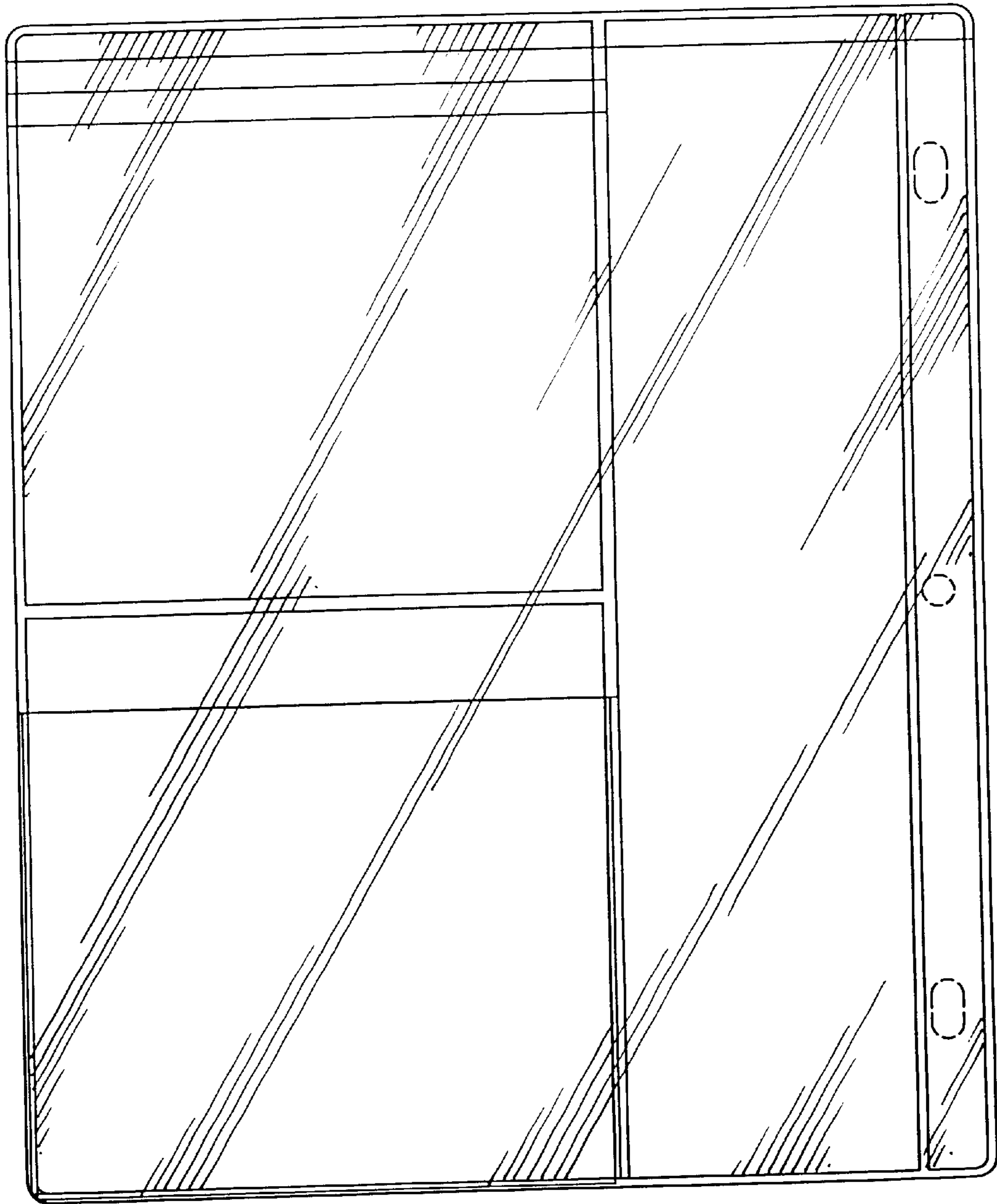


FIG. 4



FIG. 5

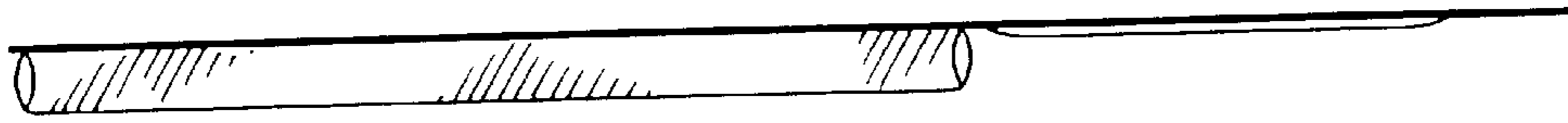


FIG. 6



FIG. 7



FIG. 8