



US00D490844S

(12) **United States Design Patent**  
**Okino et al.**

(10) **Patent No.:** **US D490,844 S**

(45) **Date of Patent:** **\*\* Jun. 1, 2004**

(54) **TONER SUPPLYING CARTRIDGE**

(75) Inventors: **Ayatomo Okino**, Toride (JP);  
**Masashige Tamura**, Kashiwa (JP);  
**Junko Yoshikawa**, Toride (JP)

(73) Assignee: **Canon Kabushiki Kaisha**, Tokyo (JP)

(\*\*) Term: **14 Years**

(21) Appl. No.: **29/191,766**

(22) Filed: **Oct. 15, 2003**

(30) **Foreign Application Priority Data**

Apr. 24, 2003 (JP) ..... 2003-011692

(51) **LOC (7) Cl.** ..... **16-03**

(52) **U.S. Cl.** ..... **D18/43**

(58) **Field of Search** ..... D18/40, 43, 56,  
D18/12; 347/49, 86, 87, 101, 214; 399/110,  
111, 114, 119, 120, 259, 262

(56) **References Cited**

**U.S. PATENT DOCUMENTS**

D363,305 S \* 10/1995 Nishioka et al. .... D18/43

D424,608 S \* 5/2000 Yorifuji et al. .... D18/40  
D451,537 S \* 12/2001 Ozawa et al. .... D18/40  
D452,263 S \* 12/2001 Ono et al. .... D18/40  
D459,387 S \* 6/2002 Tanda ..... D18/43

\* cited by examiner

*Primary Examiner*—Caron D. Veynar

(74) *Attorney, Agent, or Firm*—Fitzpatrick, Cella, Harper & Scinto

(57) **CLAIM**

The ornamental design for a toner supplying cartridge, as shown and described.

**DESCRIPTION**

FIG. 1 is a front view of a toner supplying cartridge showing our new design;  
FIG. 2 is a rear view thereof;  
FIG. 3 is a top plan view thereof;  
FIG. 4 is a bottom plan view thereof;  
FIG. 5 is a left side view thereof;  
FIG. 6 is a right side view thereof; and,  
FIG. 7 is a perspective view thereof.

**1 Claim, 4 Drawing Sheets**

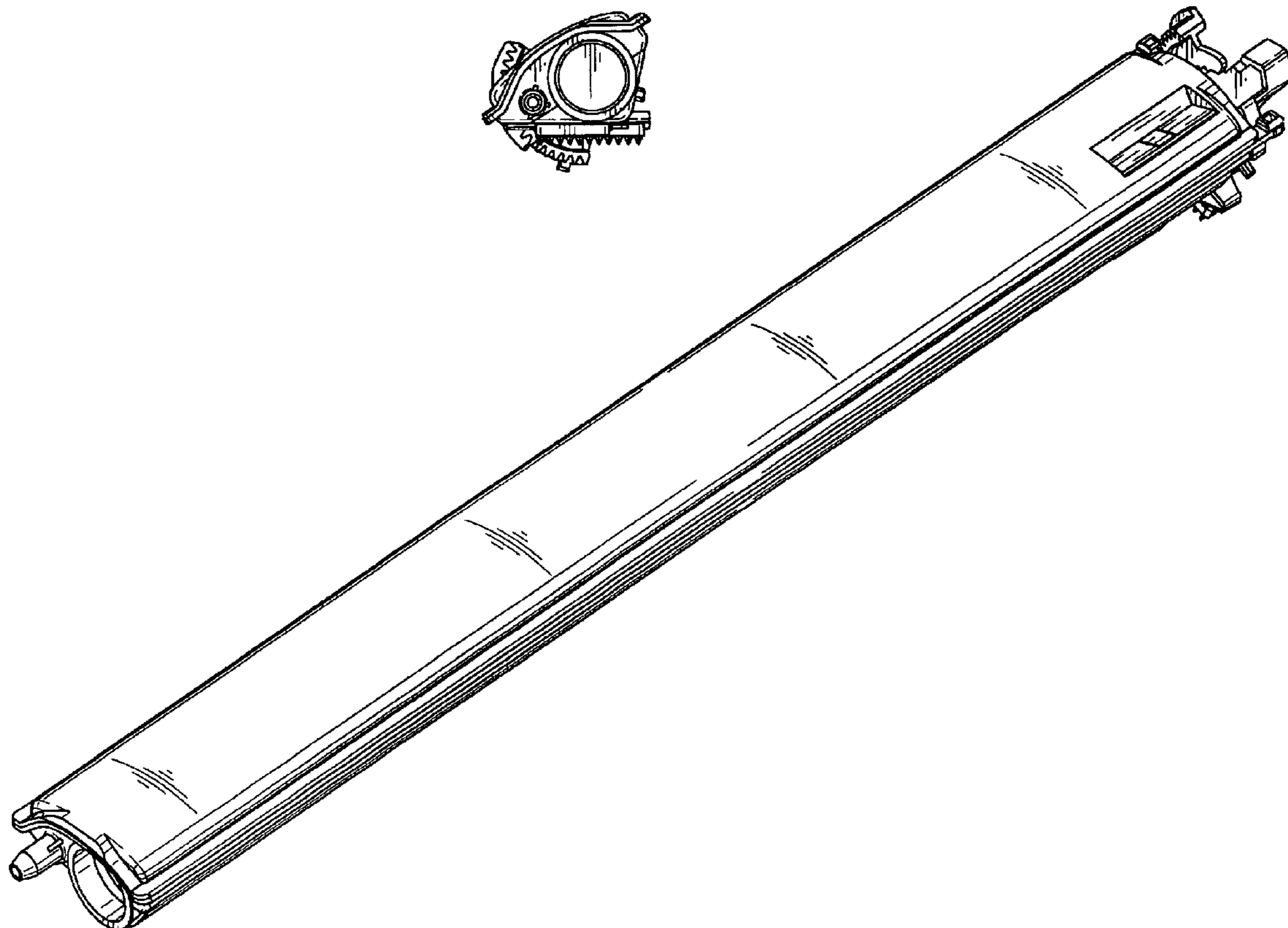


FIG. 1

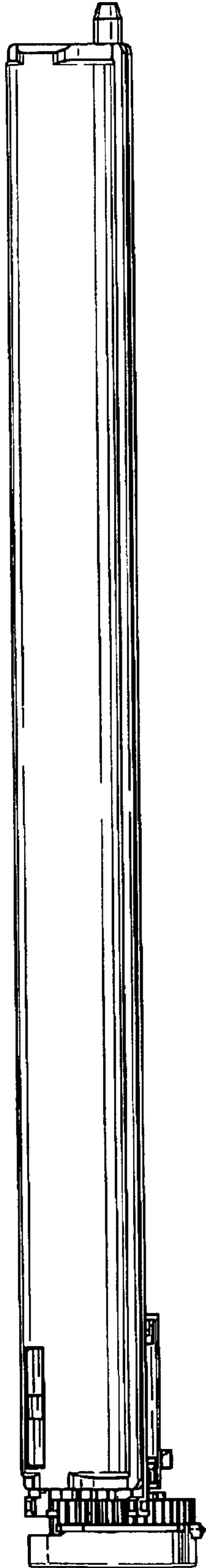


FIG. 2

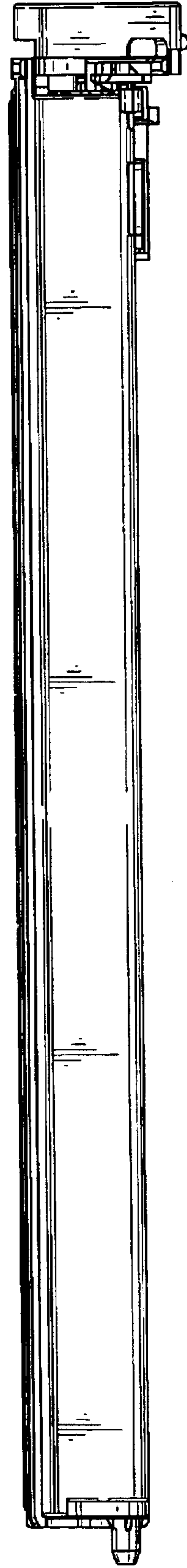


FIG. 3

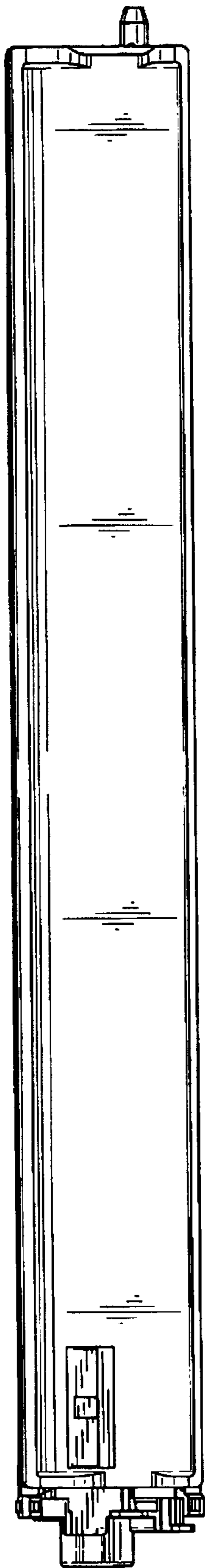
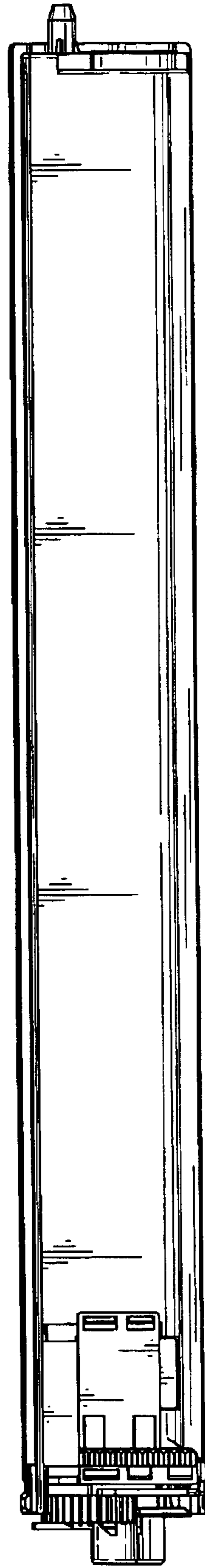
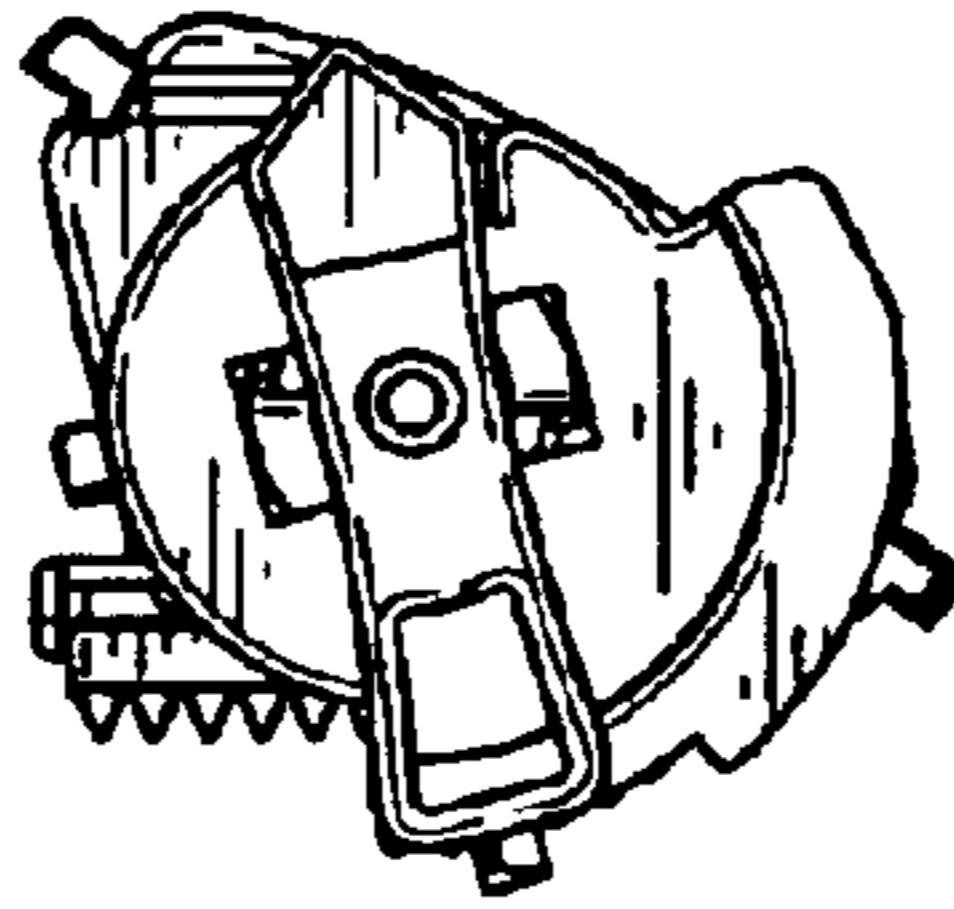


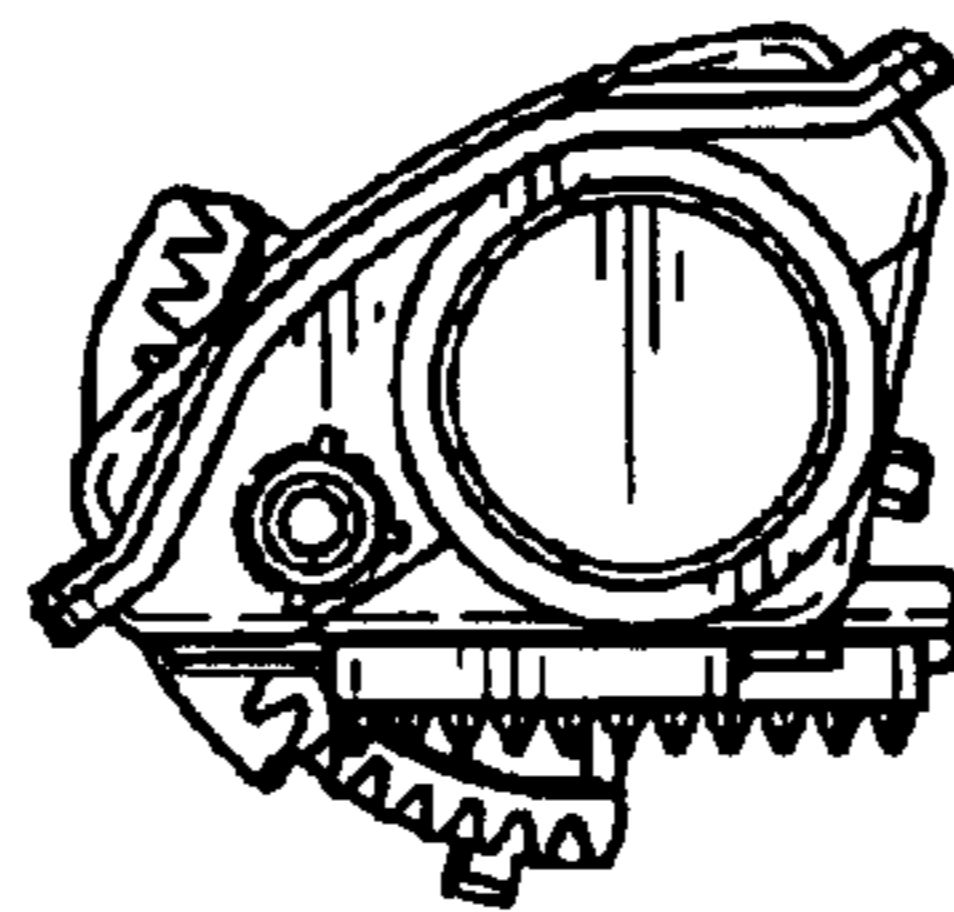
FIG. 4



*FIG. 5*



*FIG. 6*



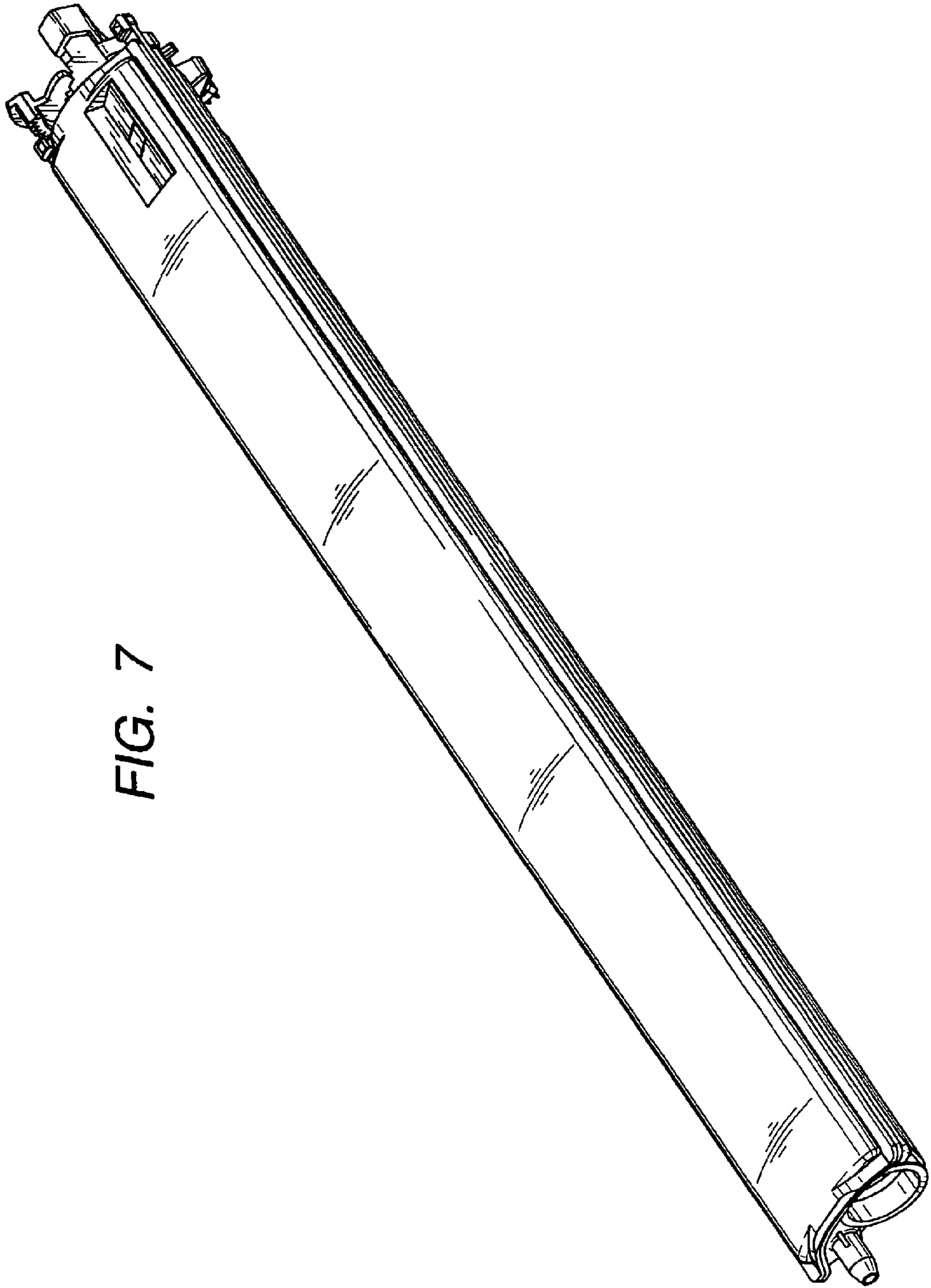


FIG. 7