



US00D490835S

(12) **United States Design Patent**
Kotera

(10) **Patent No.:** **US D490,835 S**
(45) **Date of Patent:** **** Jun. 1, 2004**

(54) **SCREEN FOR PROJECTION**

(75) Inventor: **Masayuki Kotera**, Osaka (JP)

(73) Assignee: **OS Co., Ltd.**, Osaka (JP)

(**) Term: **14 Years**

(21) Appl. No.: **29/169,056**

(22) Filed: **Oct. 15, 2002**

(30) **Foreign Application Priority Data**

Apr. 15, 2002 (JP) 2002-010084

(51) **LOC (7) Cl.** **16-05**

(52) **U.S. Cl.** **D16/241**

(58) **Field of Search** D16/241; D20/10;
160/24; 359/443, 461; 396/3, 4

(56) **References Cited**

U.S. PATENT DOCUMENTS

2,377,553 A	*	6/1945	Heck et al.	160/24
D147,898 S	*	11/1947	Du Mais et al.	D16/241
3,867,019 A	*	2/1975	Eyerman	396/4
3,976,359 A	*	8/1976	White	359/461
D323,338 S	*	1/1992	Court	D16/241

* cited by examiner

Primary Examiner—Adir Aronovich

(74) *Attorney, Agent, or Firm*—Armstrong, Kratz, Quintos,
Hanson & Brooks, LLP

(57) **CLAIM**

The ornamental design for a screen for projection, as shown and described.

DESCRIPTION

FIG. 1 is a front view of a screen for projection showing my new design;

FIG. 2 is a rear view thereof;

FIG. 3 is an enlarged left side view thereof;

FIG. 4 is an enlarged right side view thereof;

FIG. 5 is a top plan view thereof;

FIG. 6 is a bottom plan view thereof;

FIG. 7 is a front view thereof, in which a handle is raised;

FIG. 8 is an enlarged right side view thereof, in which a handle is raised;

FIG. 9 is a top plan view thereof, in which the legs are rotated;

FIG. 10 is a front view thereof, in which a screen is extended;

FIG. 11 is a rear view thereof, in which a screen is extended;

FIG. 12 is a right side view thereof, in which a screen is extended;

FIG. 13 is a cross-sectional view taken along the line 13—13 of FIG. 4; and,

FIG. 14 is a cross-sectional view taken along the line 14—14 of FIG. 5.

1 Claim, 8 Drawing Sheets

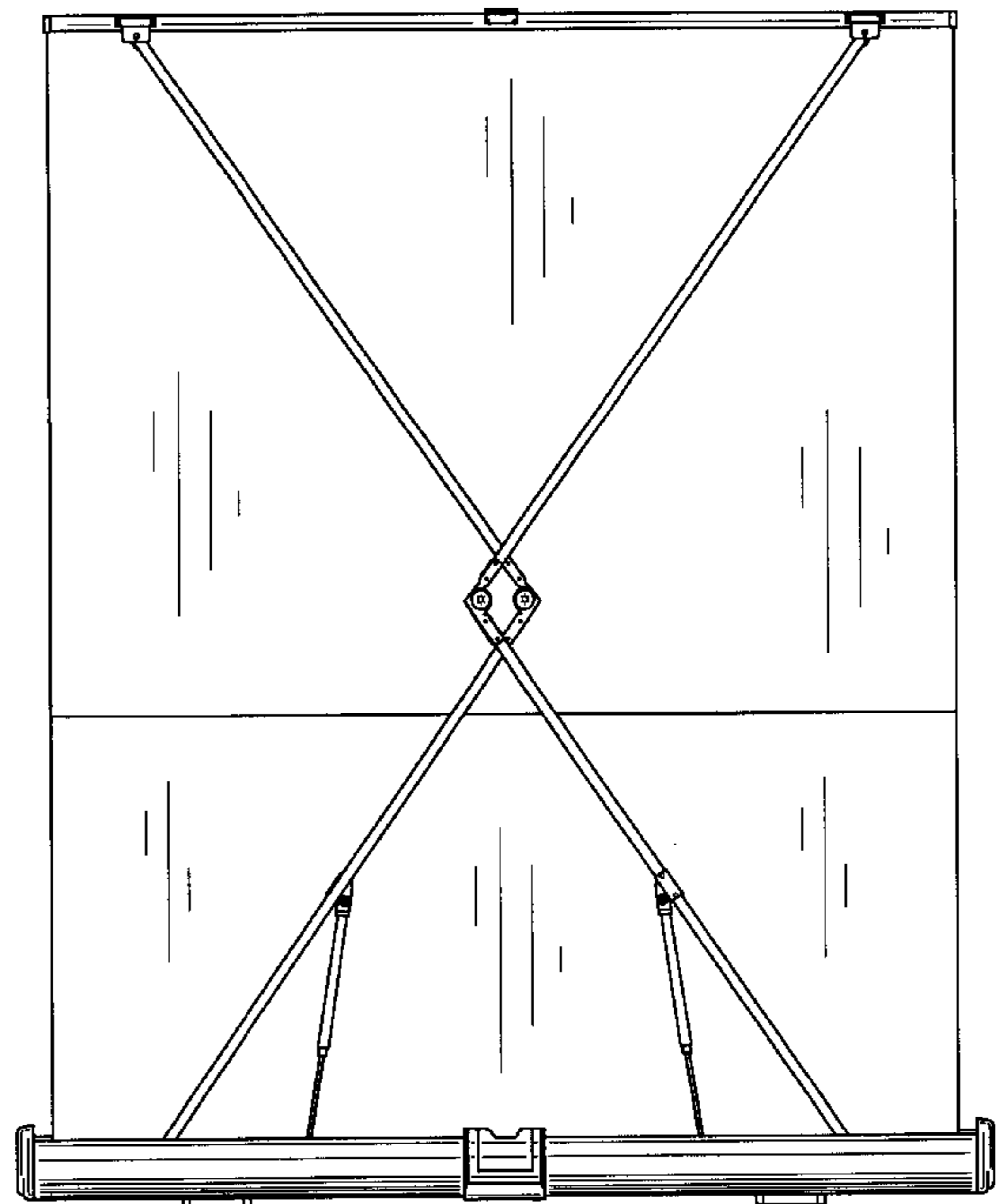
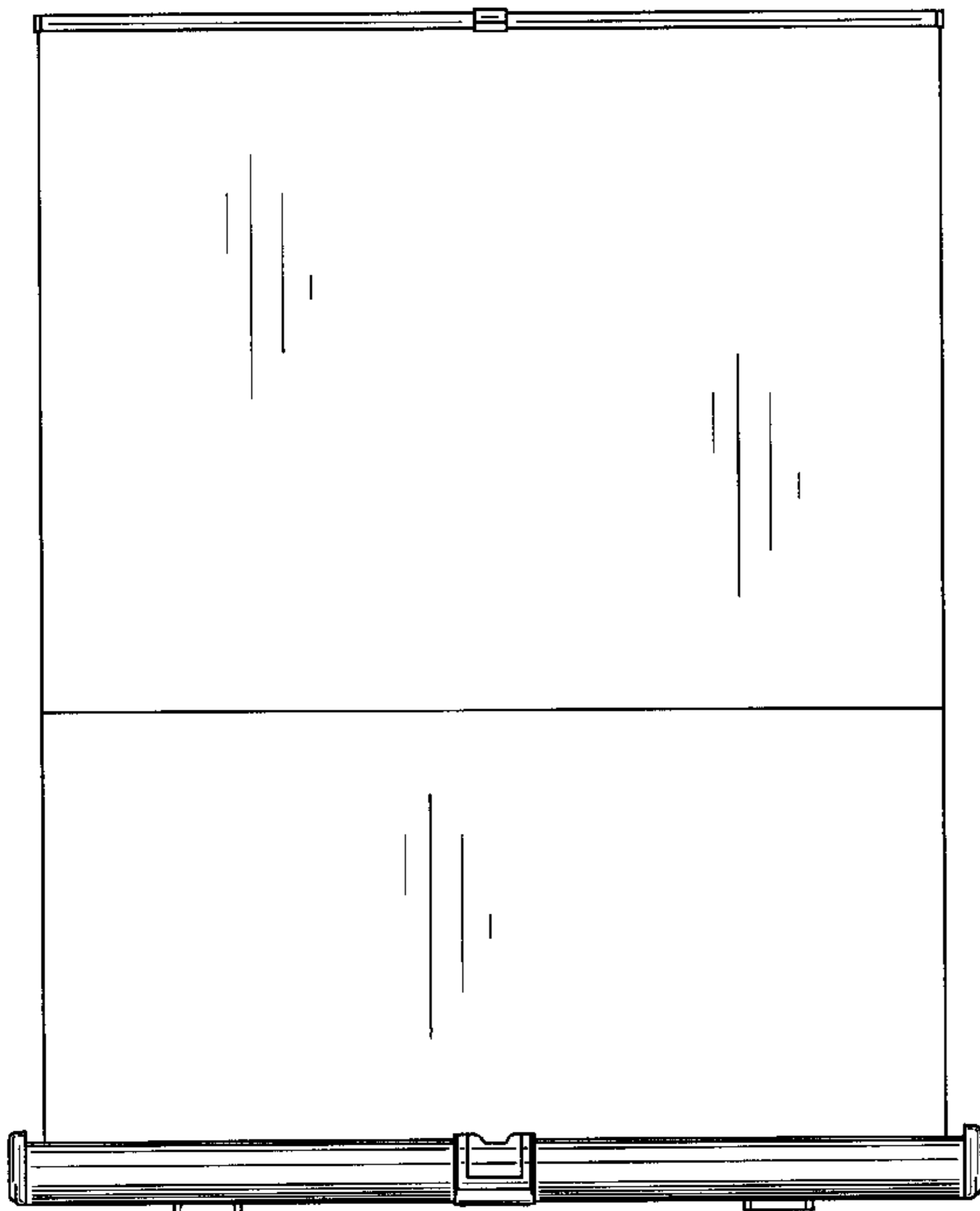


FIG. 1

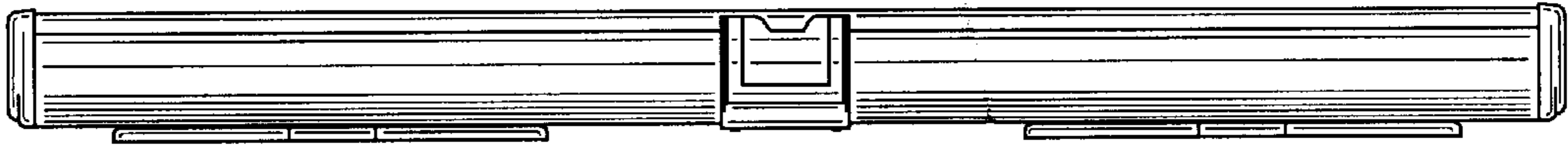


FIG. 2

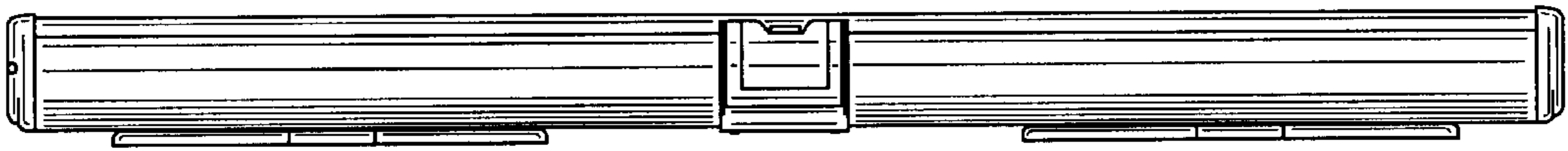


FIG. 3

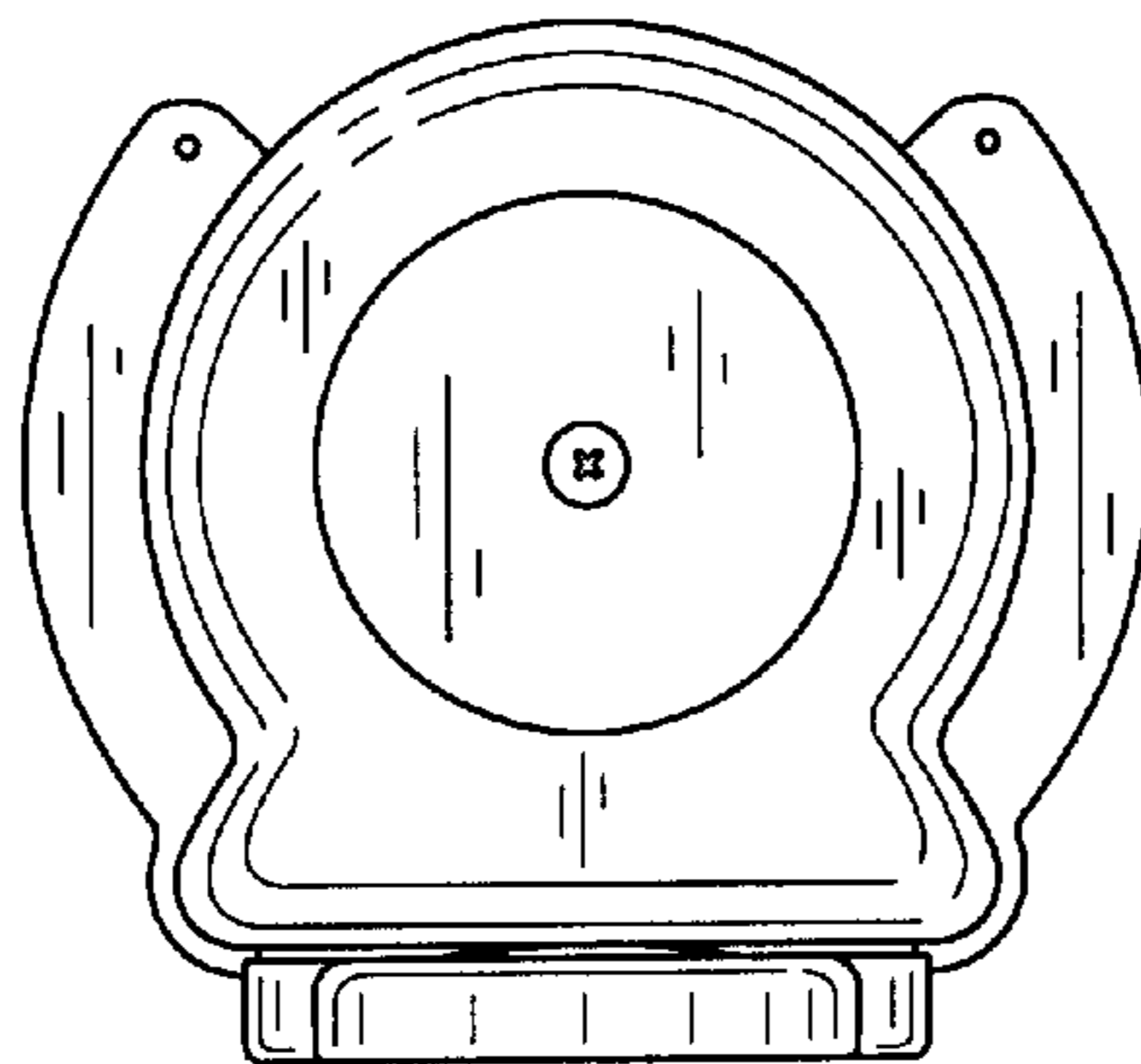


FIG.4

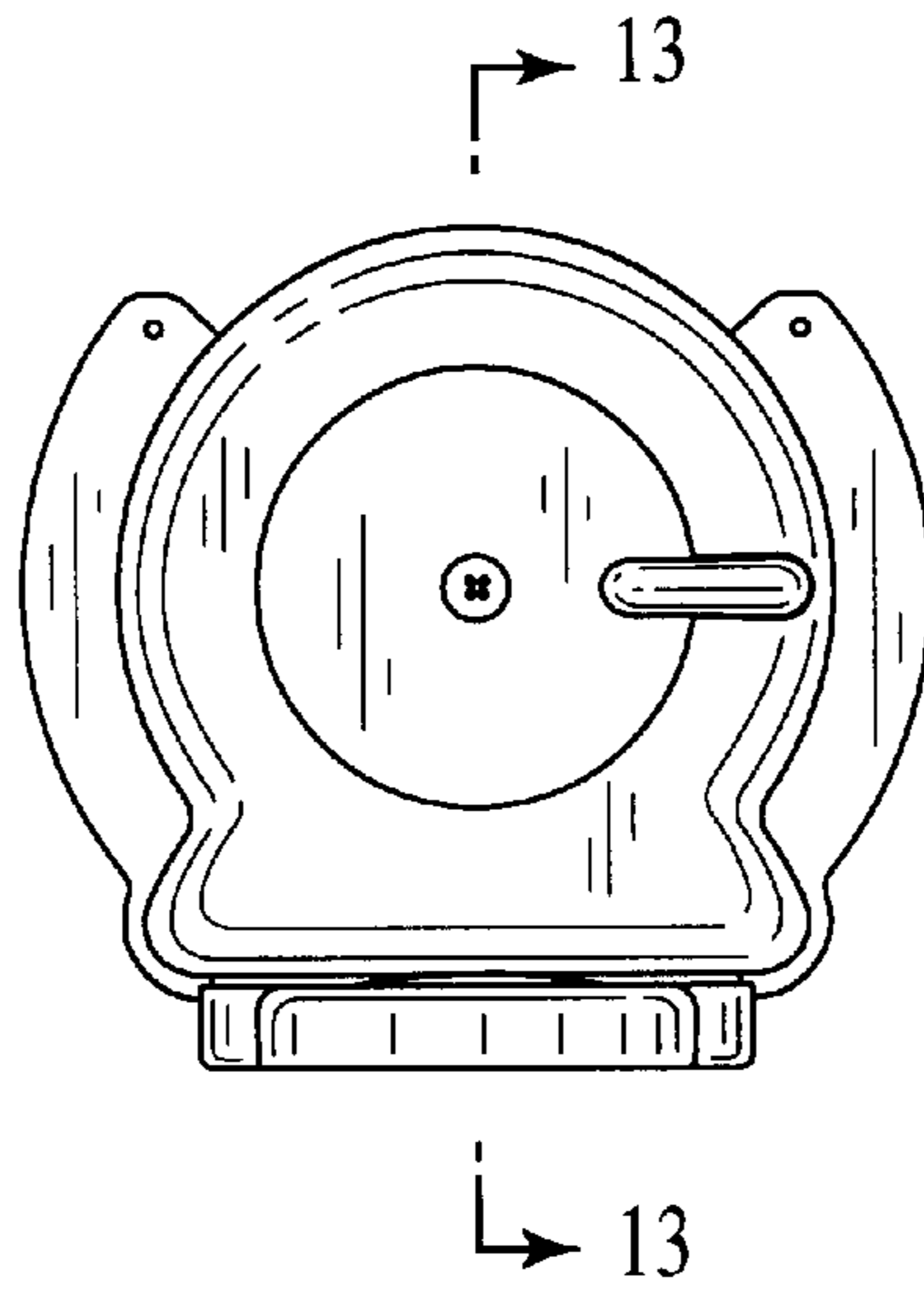


FIG.5

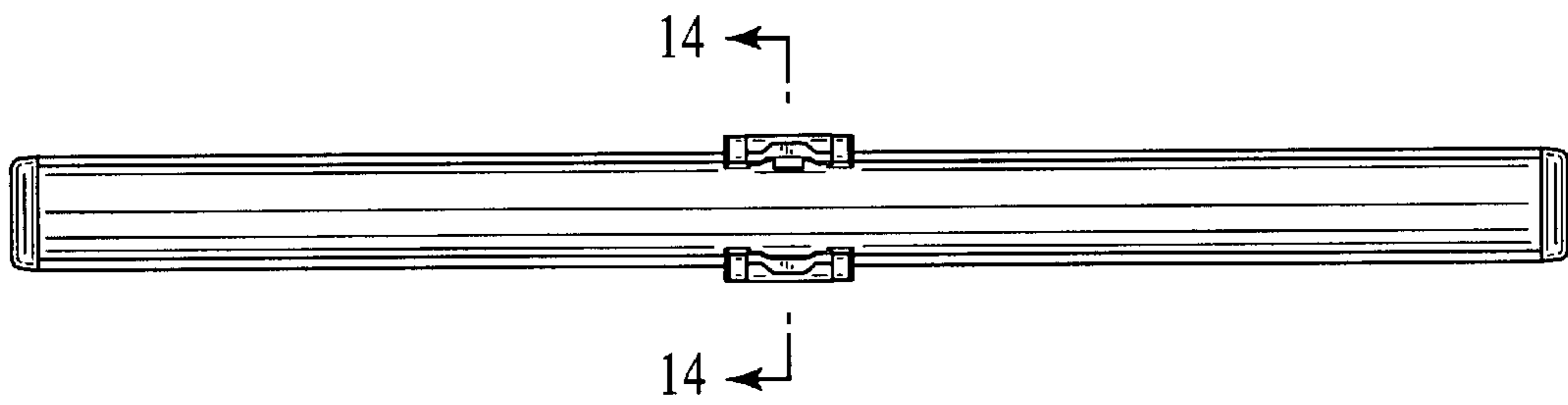


FIG.6



FIG. 7

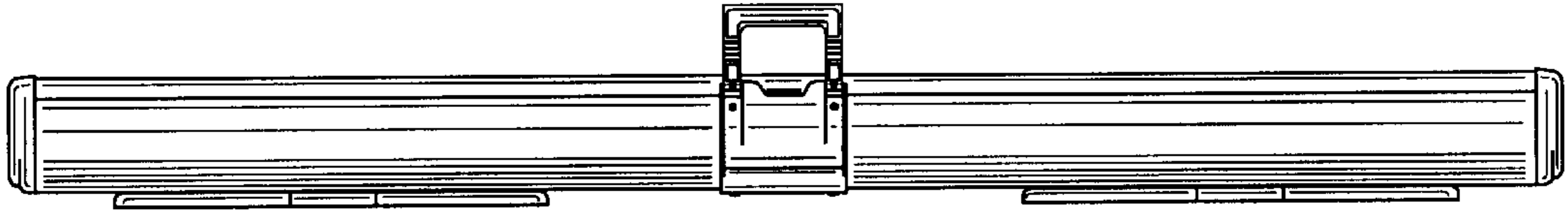


FIG. 8

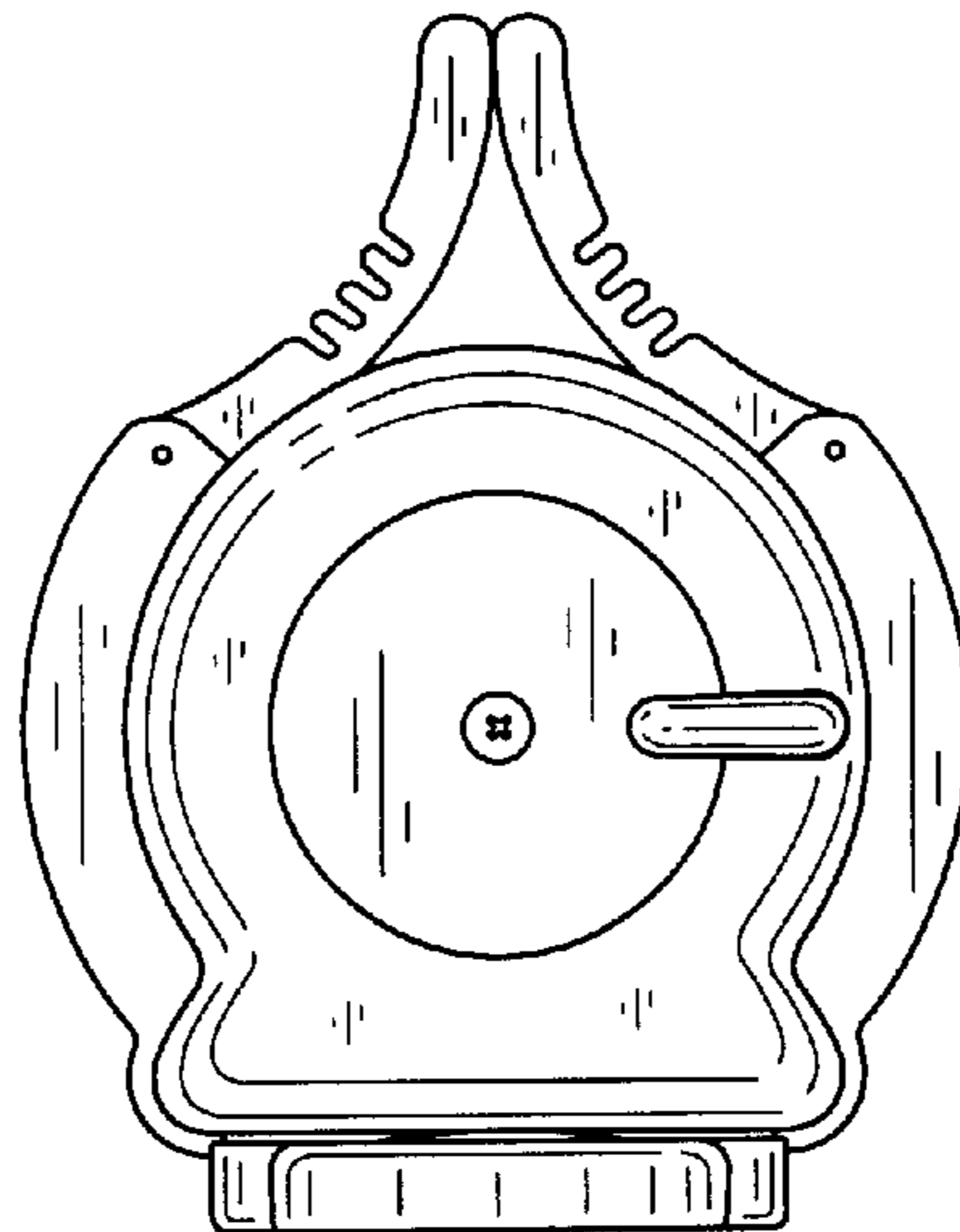


FIG. 9

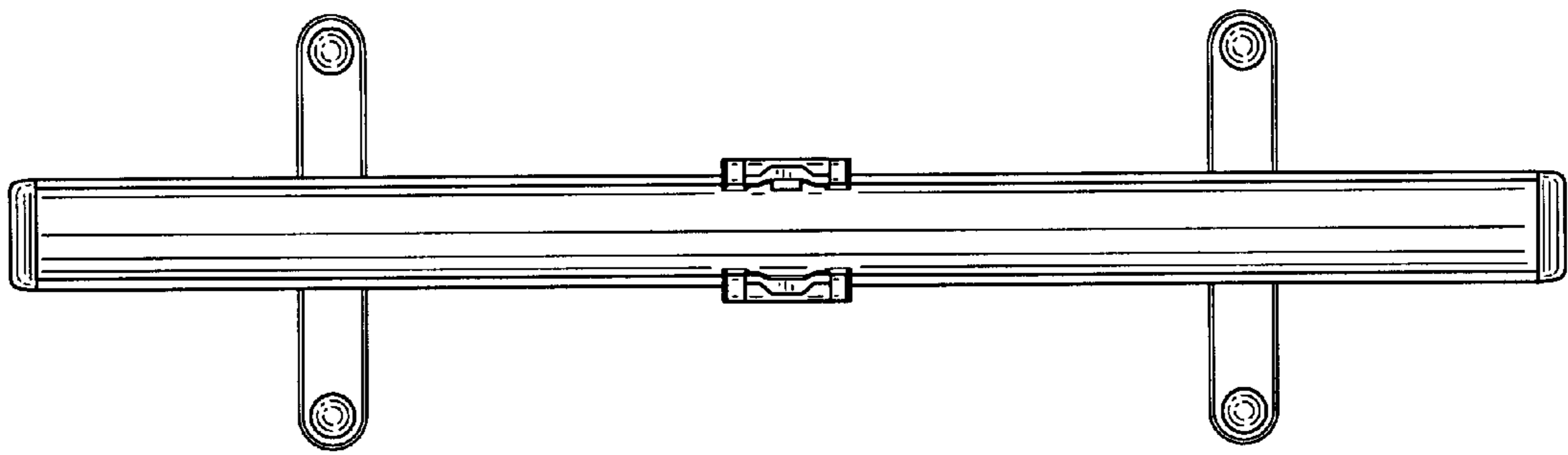


FIG. 10

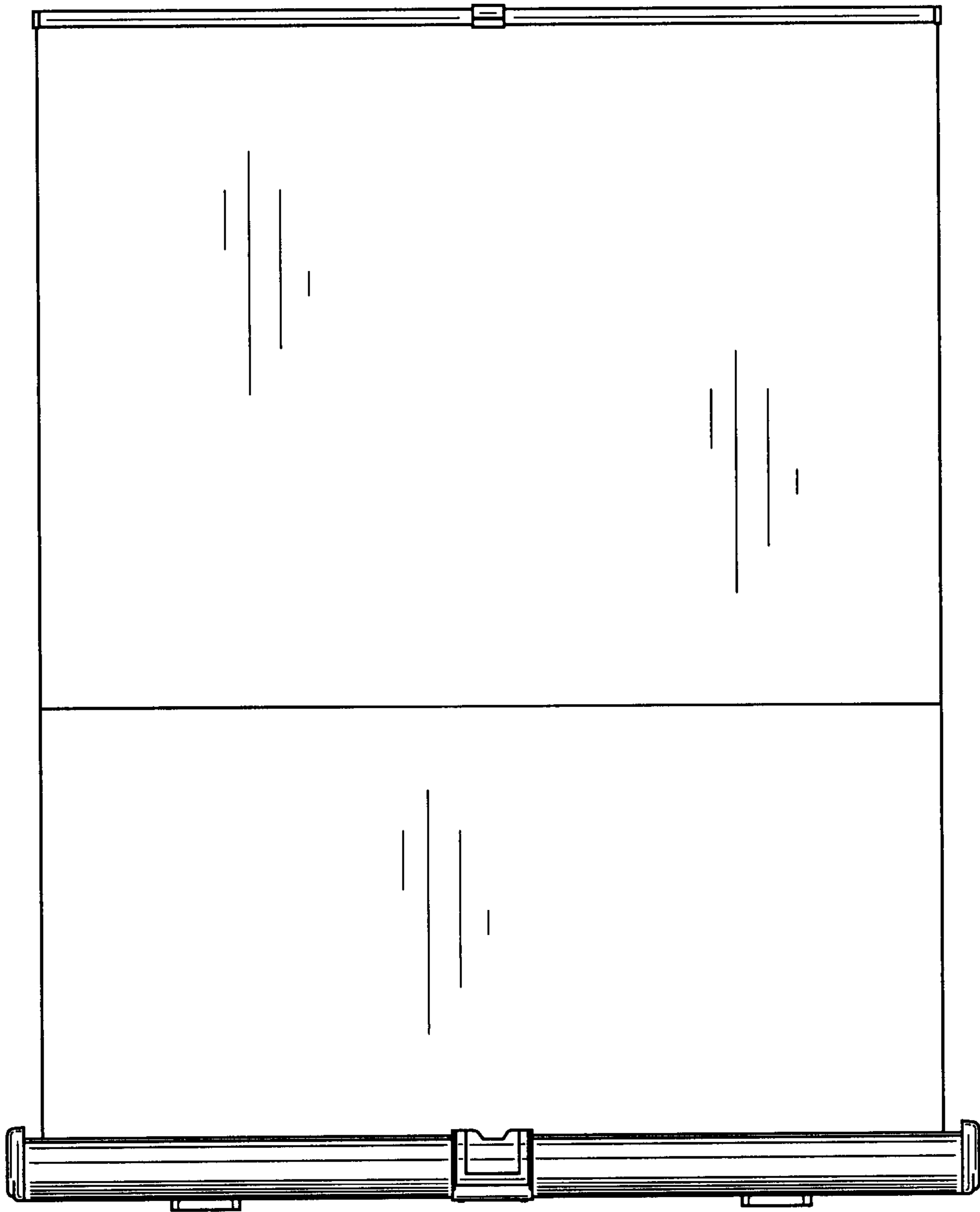


FIG. 11

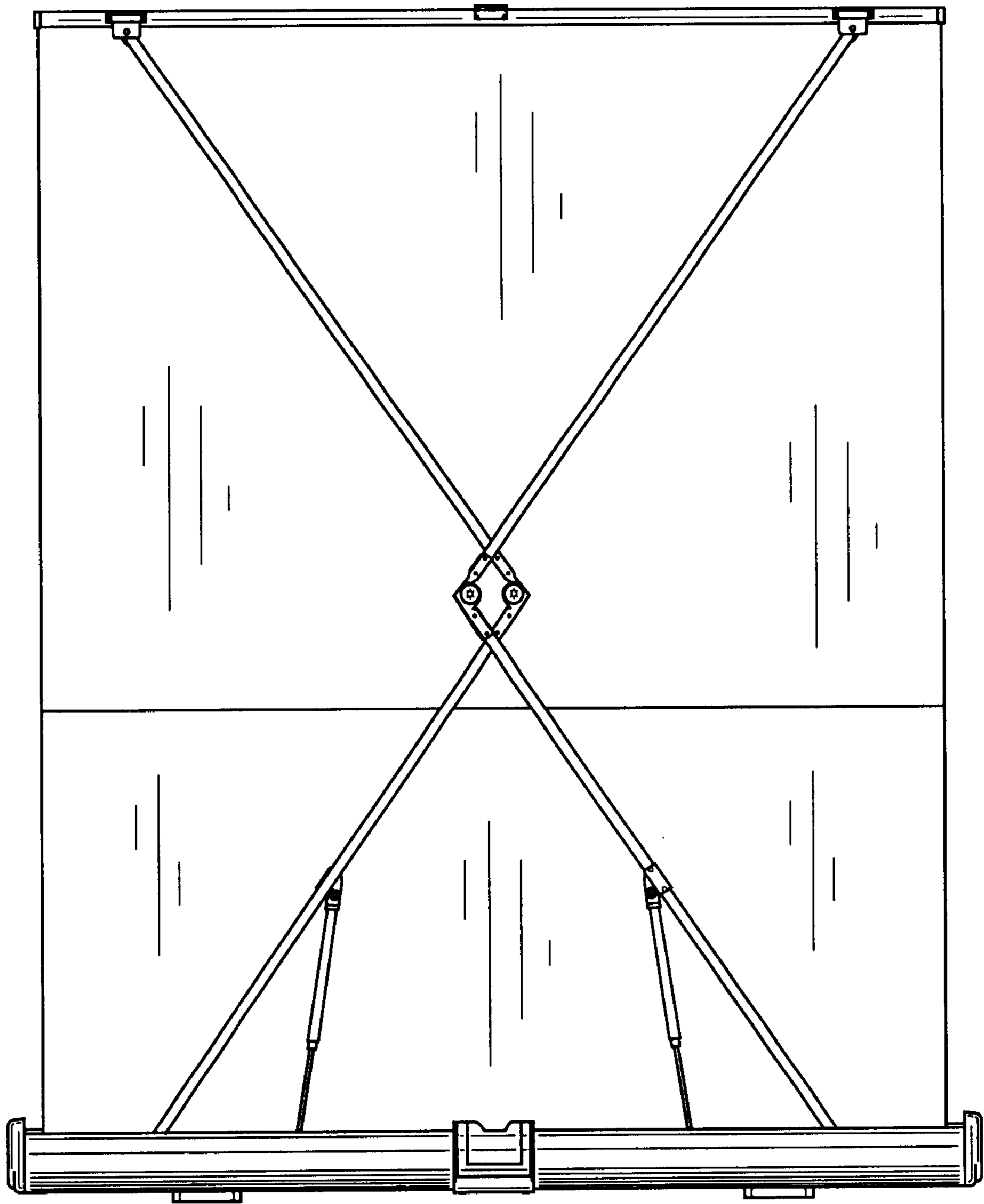


FIG. 12

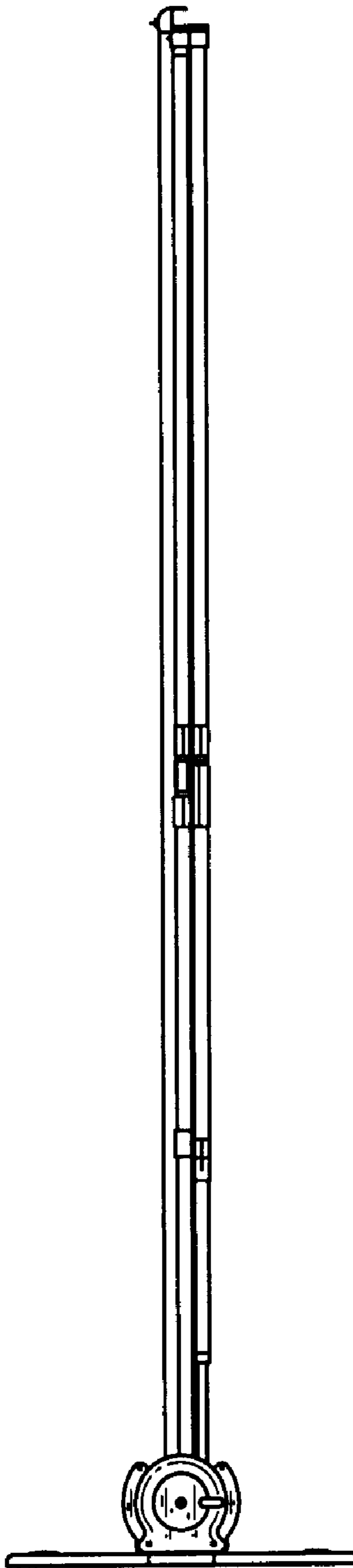


FIG.13

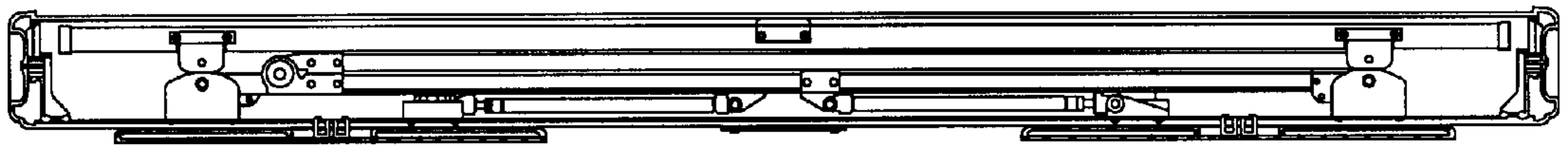


FIG.14

