



US00D490833S

(12) **United States Design Patent**
Sakaguchi et al.

(10) **Patent No.:** **US D490,833 S**

(45) **Date of Patent:** **** Jun. 1, 2004**

(54) **DIGITAL CAMERA**

(75) Inventors: **Kazuhito Sakaguchi**, Sagamihara (JP);
Iichiro Hashimoto, Kawasaki (JP)

(73) Assignee: **Casio Keisanki Kabushiki Kaisha**,
Tokyo (JP)

(**) Term: **14 Years**

(21) Appl. No.: **29/190,257**

(22) Filed: **Sep. 16, 2003**

(51) **LOC (7) Cl.** **16-01**

(52) **U.S. Cl.** **D16/202**

(58) **Field of Search** D16/200–205,
D16/208, 209, 218; 348/373–376; 358/909.1;
396/535–541

(56) **References Cited**

U.S. PATENT DOCUMENTS

D422,611 S * 4/2000 Katayama et al. D16/202
D441,777 S * 5/2001 Katayama D16/202

D473,886 S * 4/2003 Katayama D16/202
D475,384 S * 6/2003 Tanaka D16/202
D481,405 S * 10/2003 Sakaguchi D16/202
2002/0036702 A1 * 3/2002 Ohnogi 348/373

* cited by examiner

Primary Examiner—Adir Aronovich

(74) *Attorney, Agent, or Firm*—Frishauf, Holtz, Goodman
& Chick, P.C.

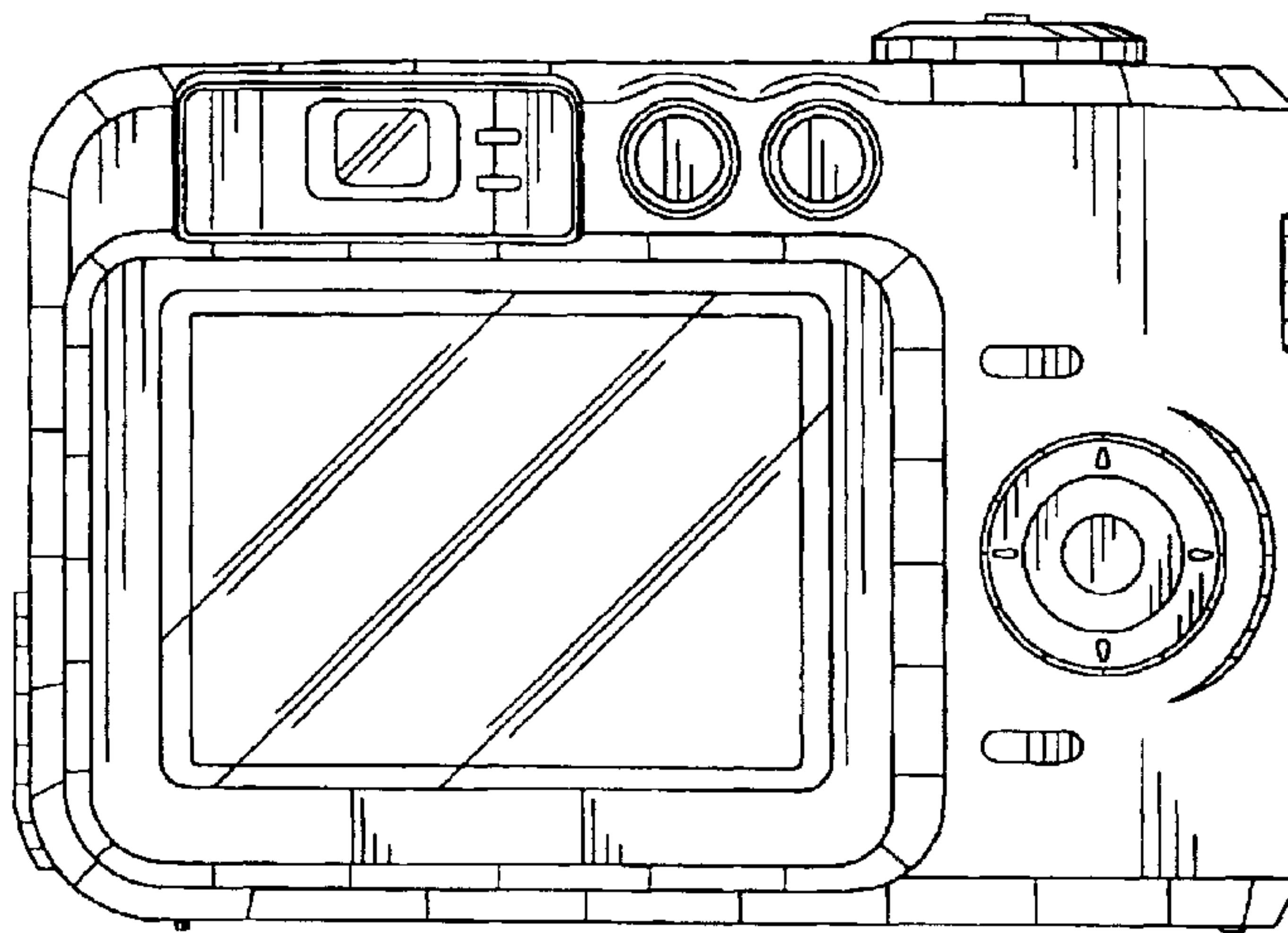
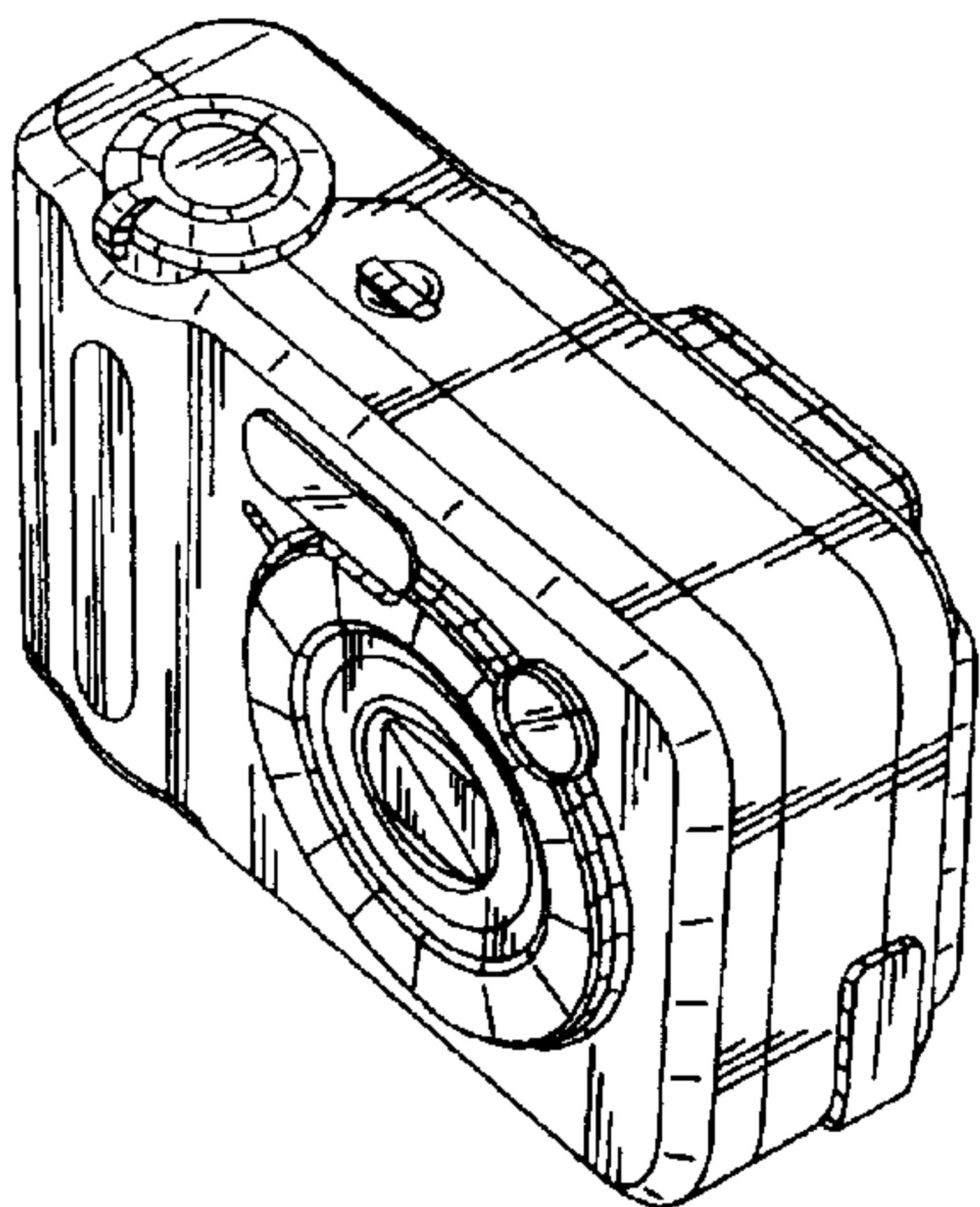
(57) **CLAIM**

The ornamental design for a digital camera, as shown.

DESCRIPTION

FIG. 1 is a top, front, right side perspective view of a digital camera showing our new design;
FIG. 2 is a front elevational view thereof;
FIG. 3 is a rear elevational view thereof;
FIG. 4 is a left side view thereof;
FIG. 5 is a right side view thereof;
FIG. 6 is a top plan view thereof; and,
FIG. 7 is a bottom plan view thereof.

1 Claim, 7 Drawing Sheets



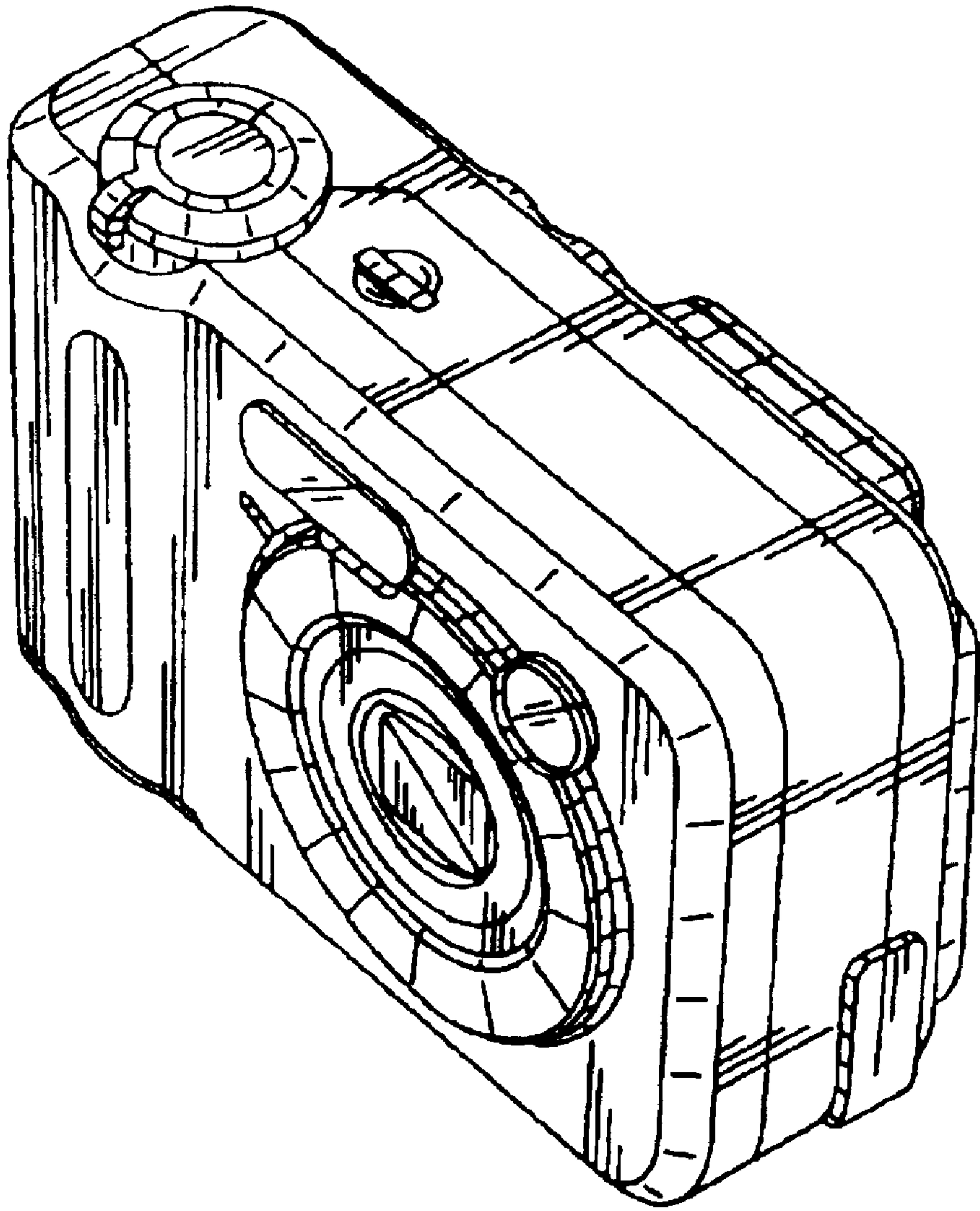


FIG. 1

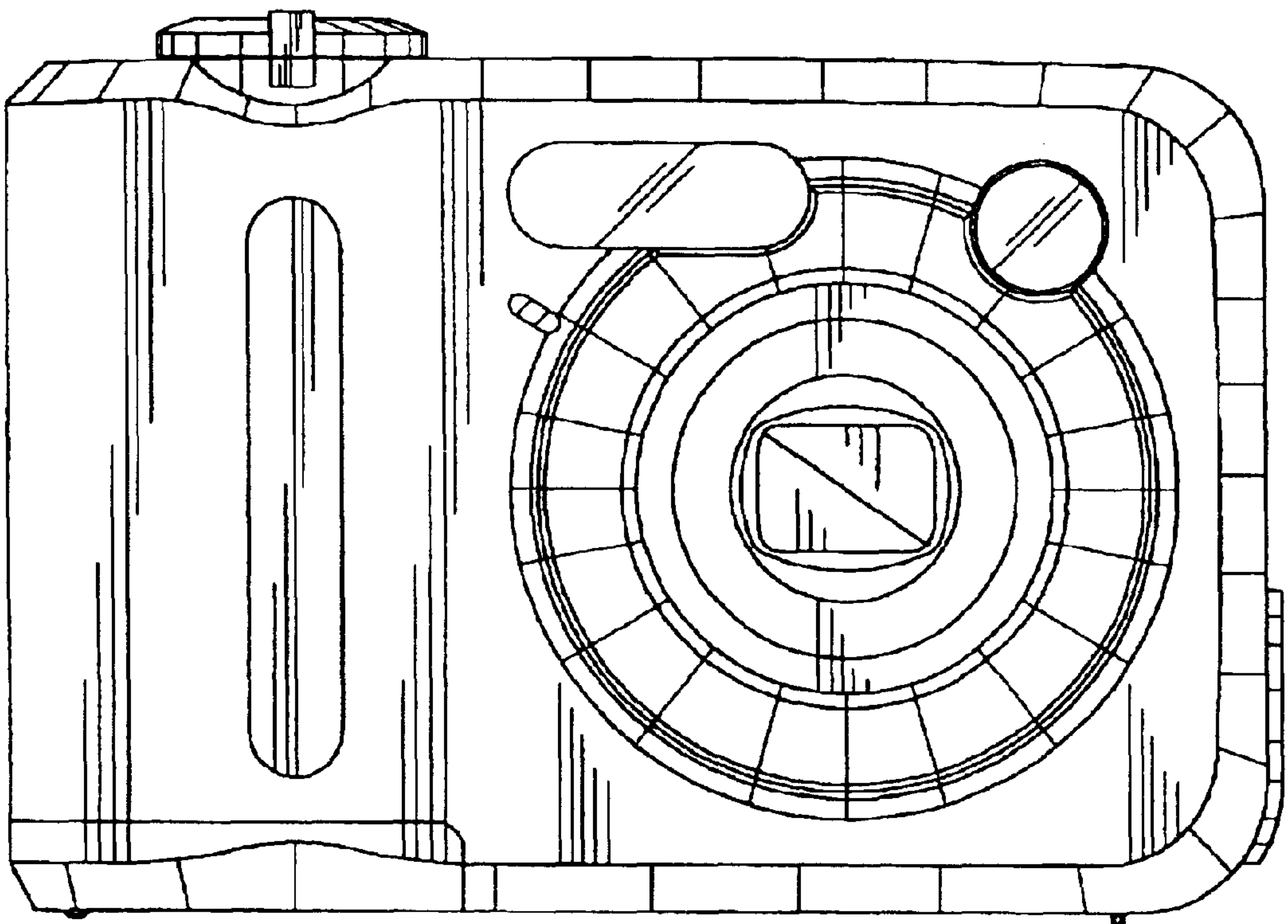


FIG. 2

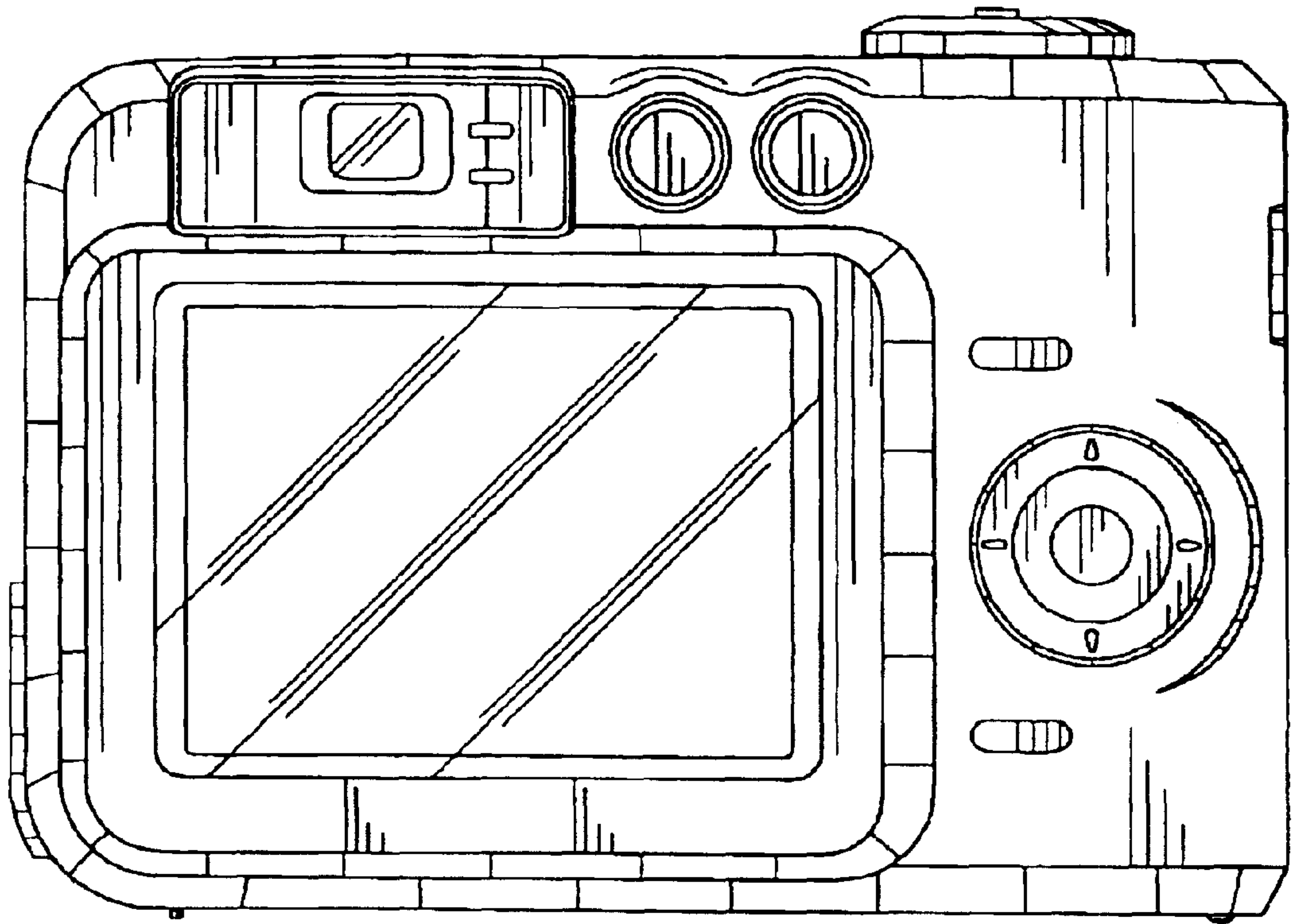


FIG. 3

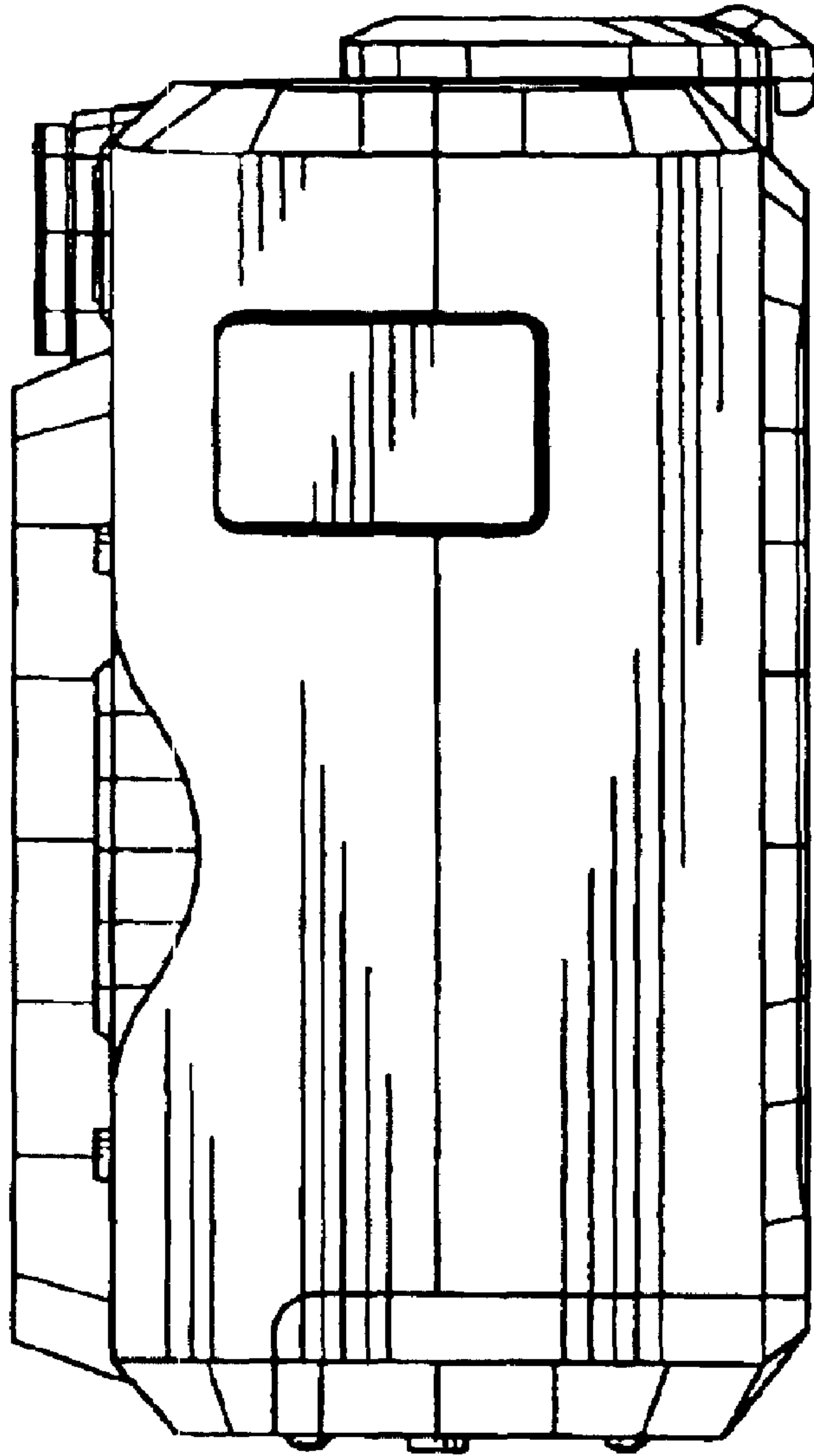


FIG. 4

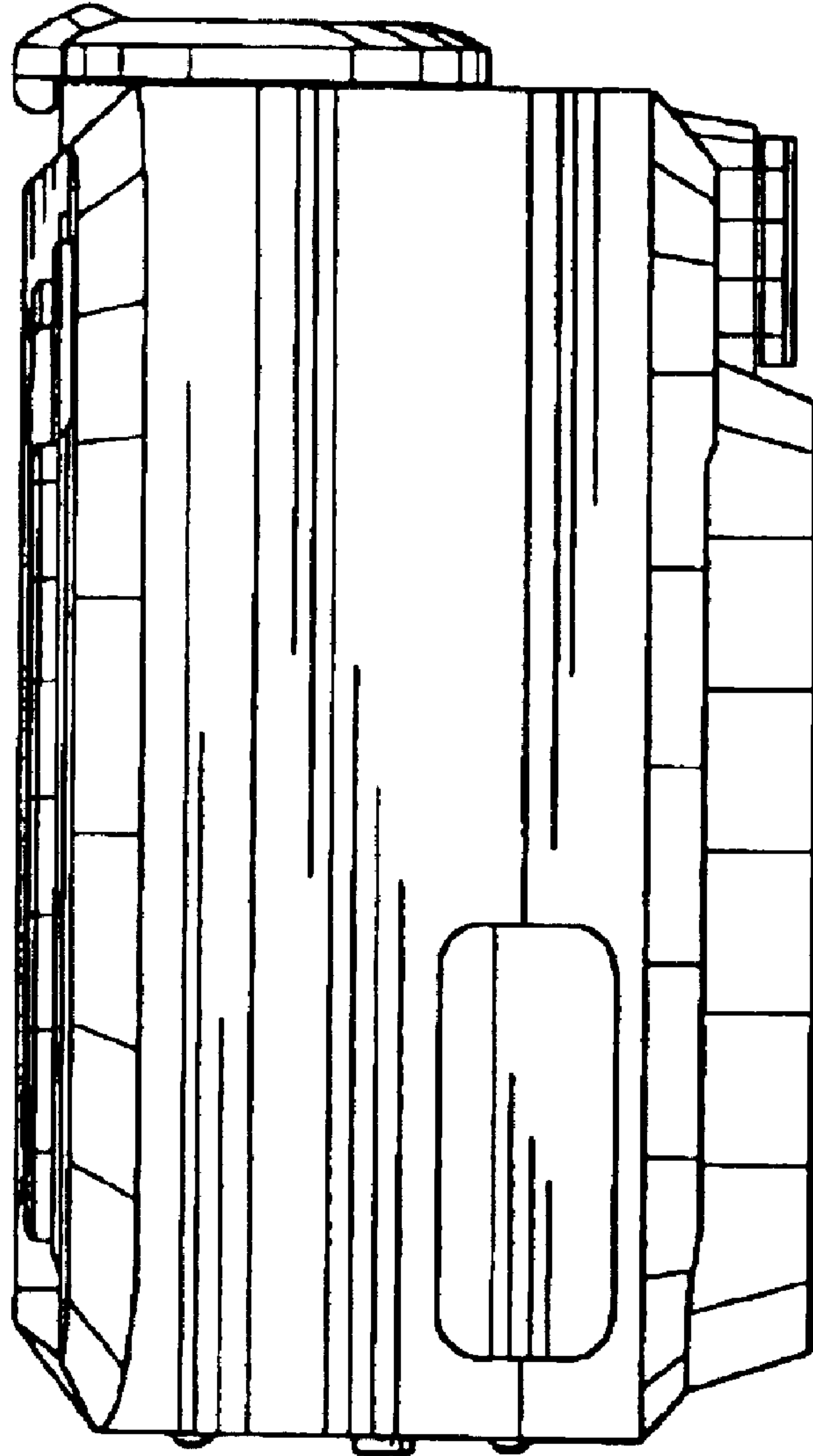


FIG. 5

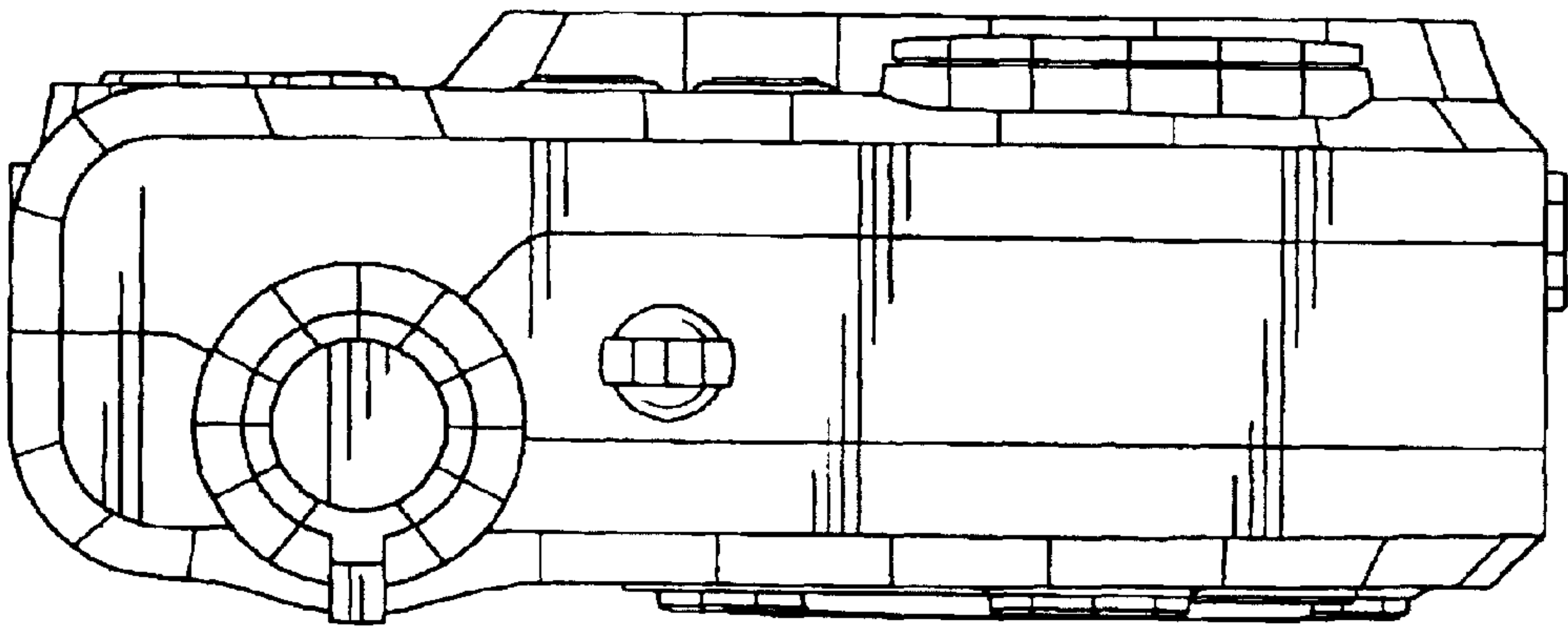


FIG. 6

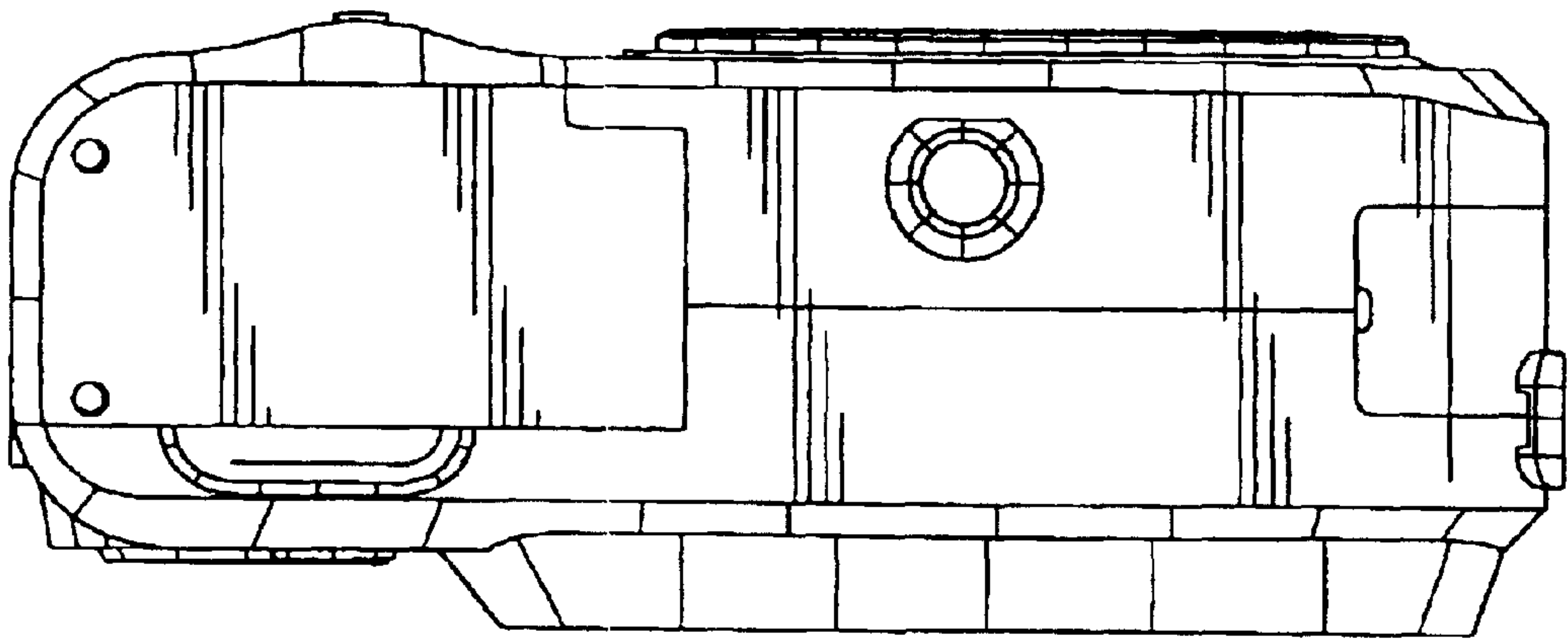


FIG. 7