



US00D490832S

(12) **United States Design Patent**  
**Yonekawa et al.**

(10) **Patent No.:** **US D490,832 S**

(45) **Date of Patent:** **\*\* Jun. 1, 2004**

(54) **DIGITAL CAMERA**

(75) Inventors: **Masahiro Yonekawa**, Tokyo (JP);  
**Masayuki Kurokawa**, Tokyo (JP)

(73) Assignee: **Ricoh Company, Ltd.**, Tokyo (JP)

(\*\*) Term: **14 Years**

(21) Appl. No.: **29/185,210**

(22) Filed: **Jun. 25, 2003**

(30) **Foreign Application Priority Data**

Dec. 26, 2002 (JP) ..... 2002-036032

(51) **LOC (7) Cl.** ..... **16-01**

(52) **U.S. Cl.** ..... **D16/202; D16/218**

(58) **Field of Search** ..... **D16/200-206,**  
**D16/208, 209, 218; 348/373-376; 358/909.1;**  
**396/535-541**

(56) **References Cited**

**U.S. PATENT DOCUMENTS**

6,434,337 B1 \* 8/2002 Misawa ..... 358/909.1  
D470,162 S \* 2/2003 Nakamura et al. .... D16/202  
D477,832 S \* 7/2003 Suzuki ..... D16/218

D480,742 S \* 10/2003 Chin ..... D16/202  
D483,049 S \* 12/2003 Hsieh ..... D16/202  
D484,157 S \* 12/2003 Watanabe et al. .... D16/202

\* cited by examiner

*Primary Examiner*—Adir Aronovich

(74) *Attorney, Agent, or Firm*—Dickstein Shapiro Morin & Oshinsky LLP

(57) **CLAIM**

The ornamental design for a digital camera, as shown and described.

**DESCRIPTION**

FIG. 1 is a front elevation of a digital camera according to the present invention;  
FIG. 2 is a rear elevation thereof;  
FIG. 3 is a top plan view thereof;  
FIG. 4 is a bottom plan view thereof;  
FIG. 5 is a right side elevation thereof;  
FIG. 6 is a left side elevation thereof;  
FIG. 7 is a top, front and left side perspective view thereof; and,  
FIG. 8 is a top, front and right side perspective view thereof.

**1 Claim, 4 Drawing Sheets**

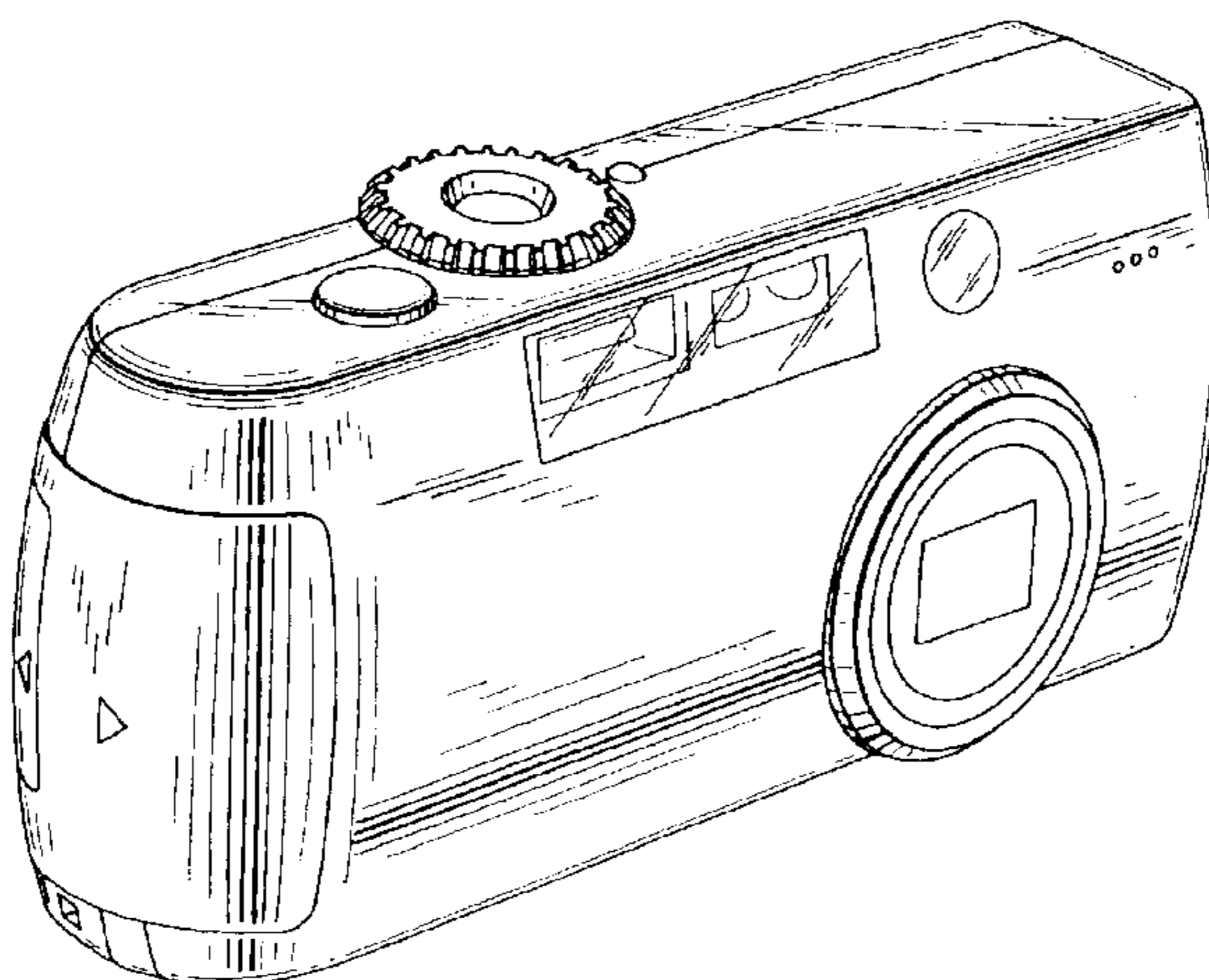
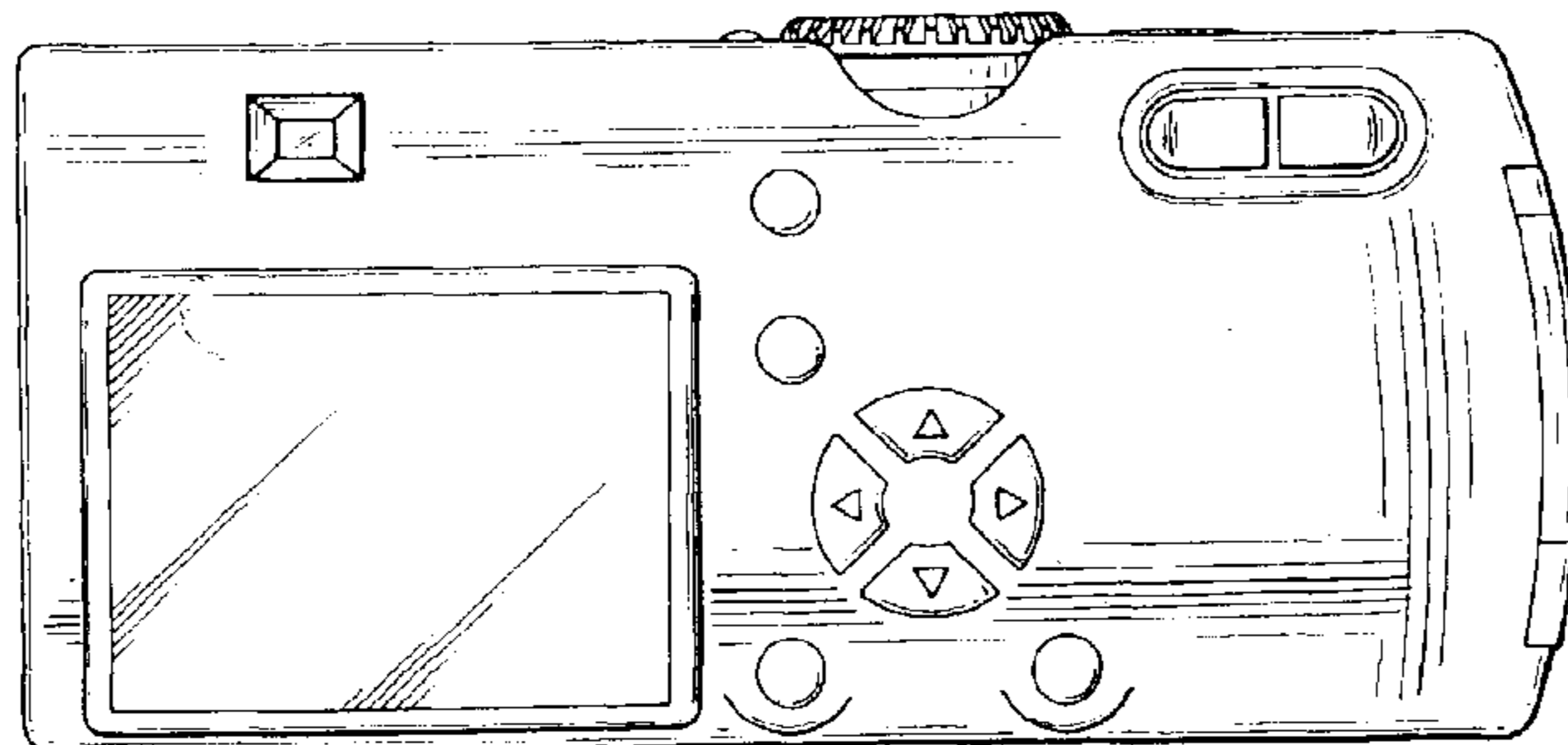


FIG. 1

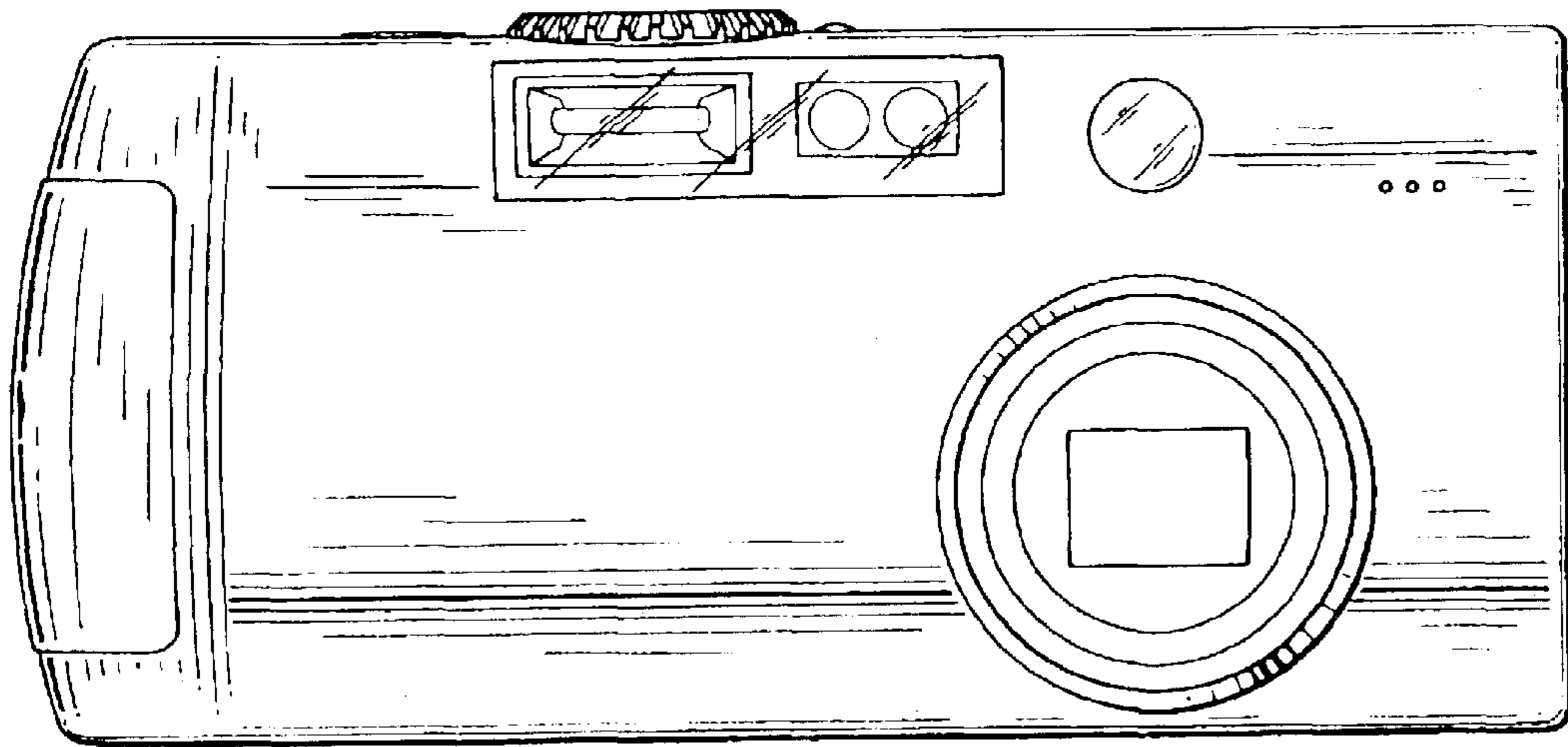


FIG. 2

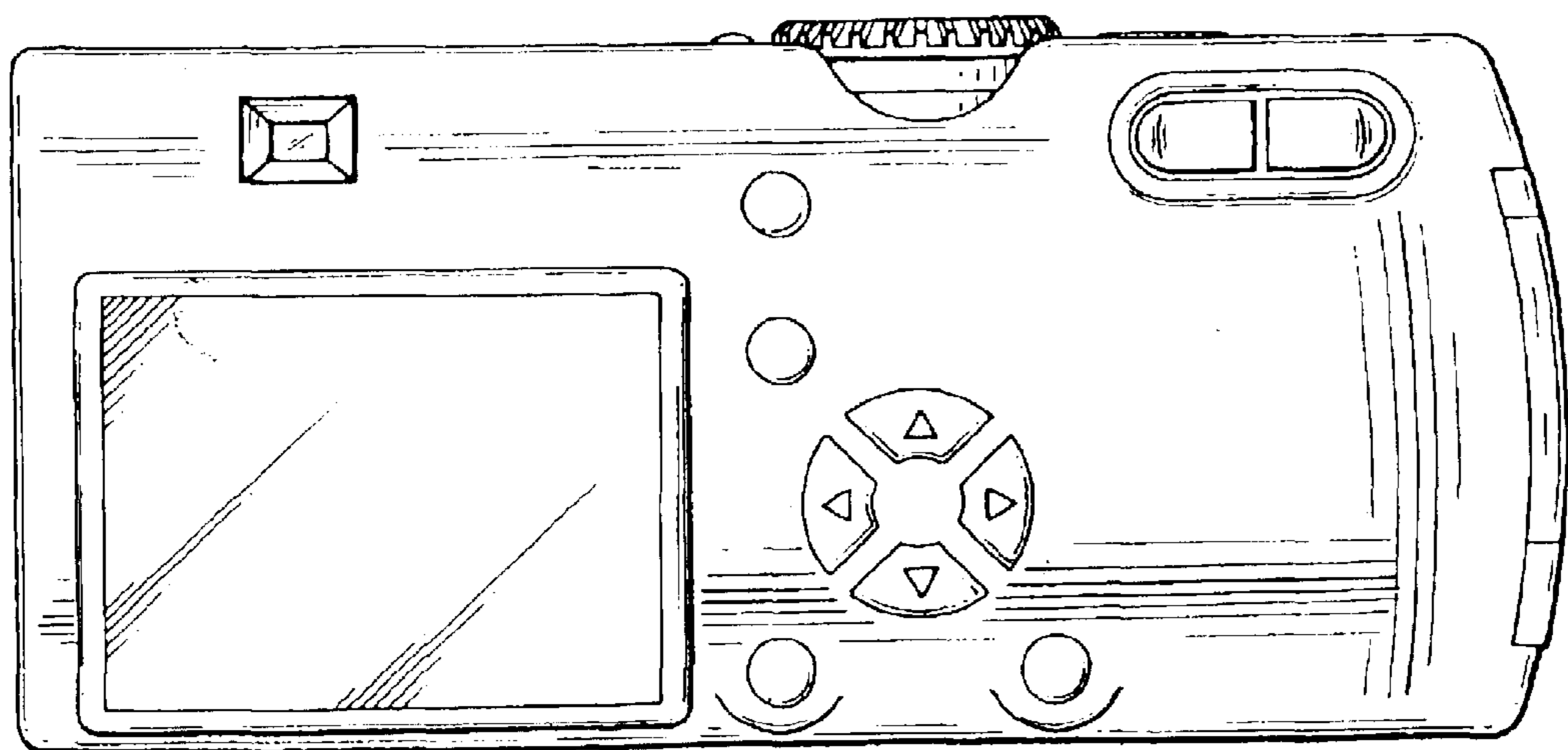


FIG. 3

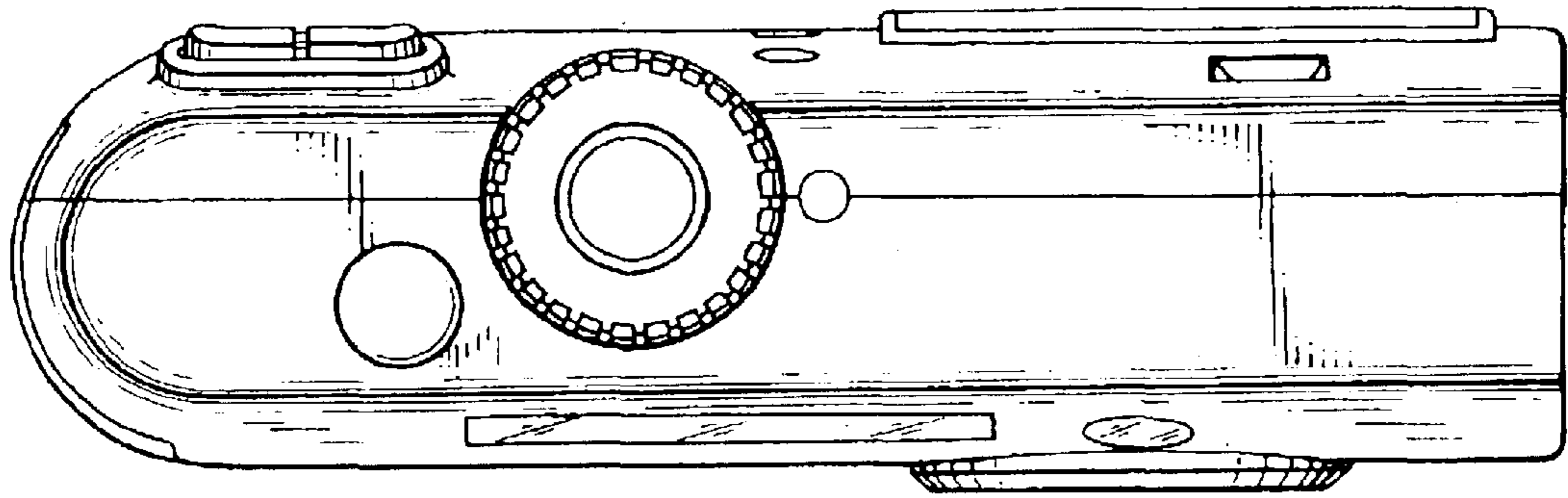


FIG. 4

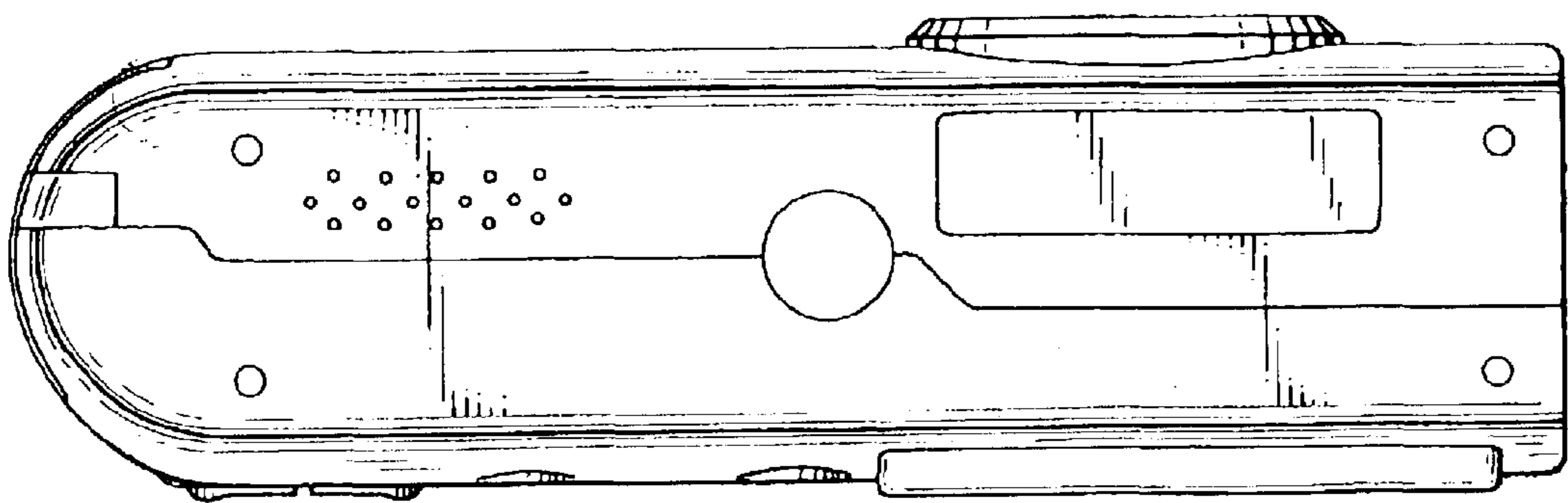


FIG. 5

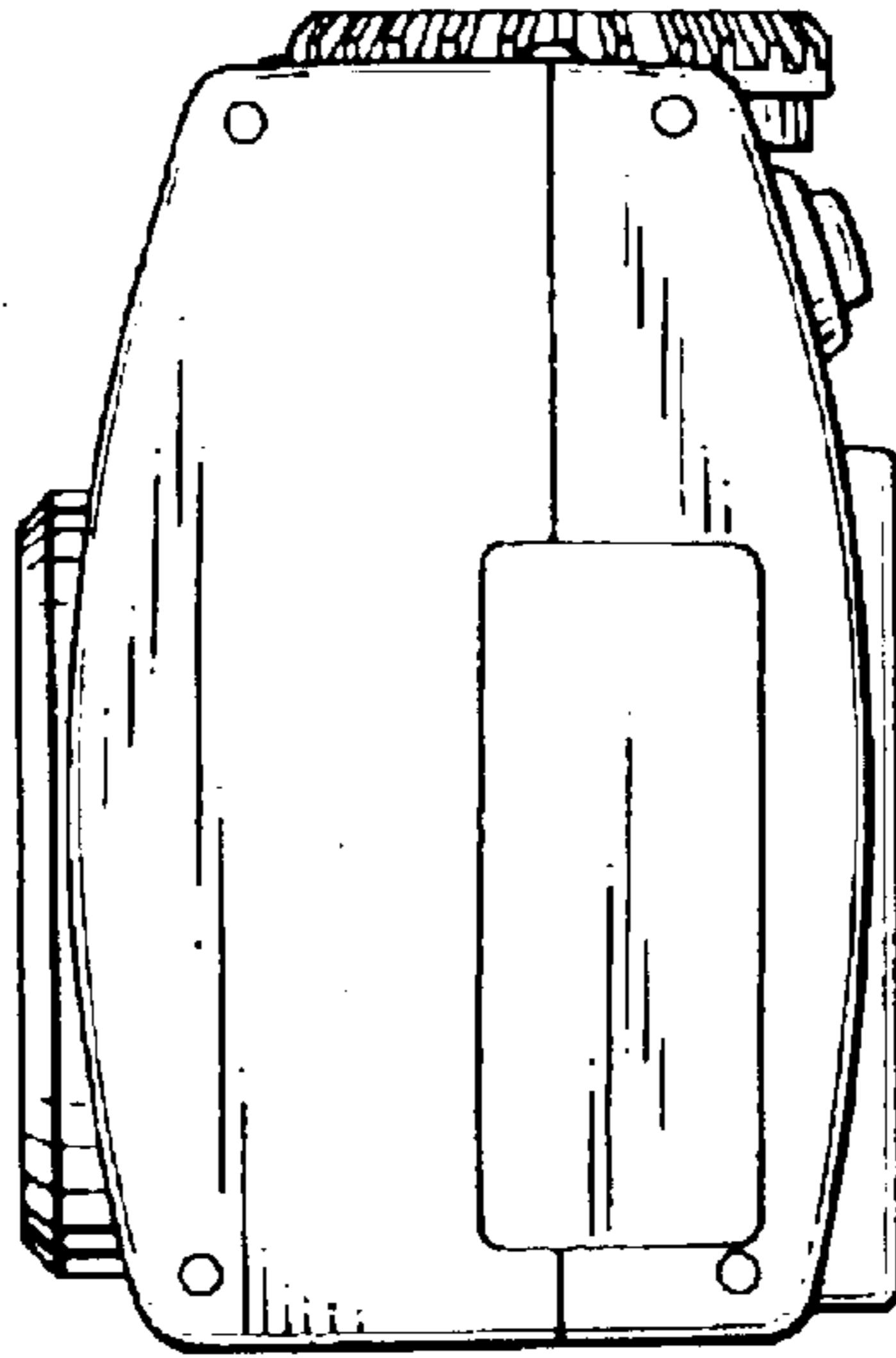


FIG. 6

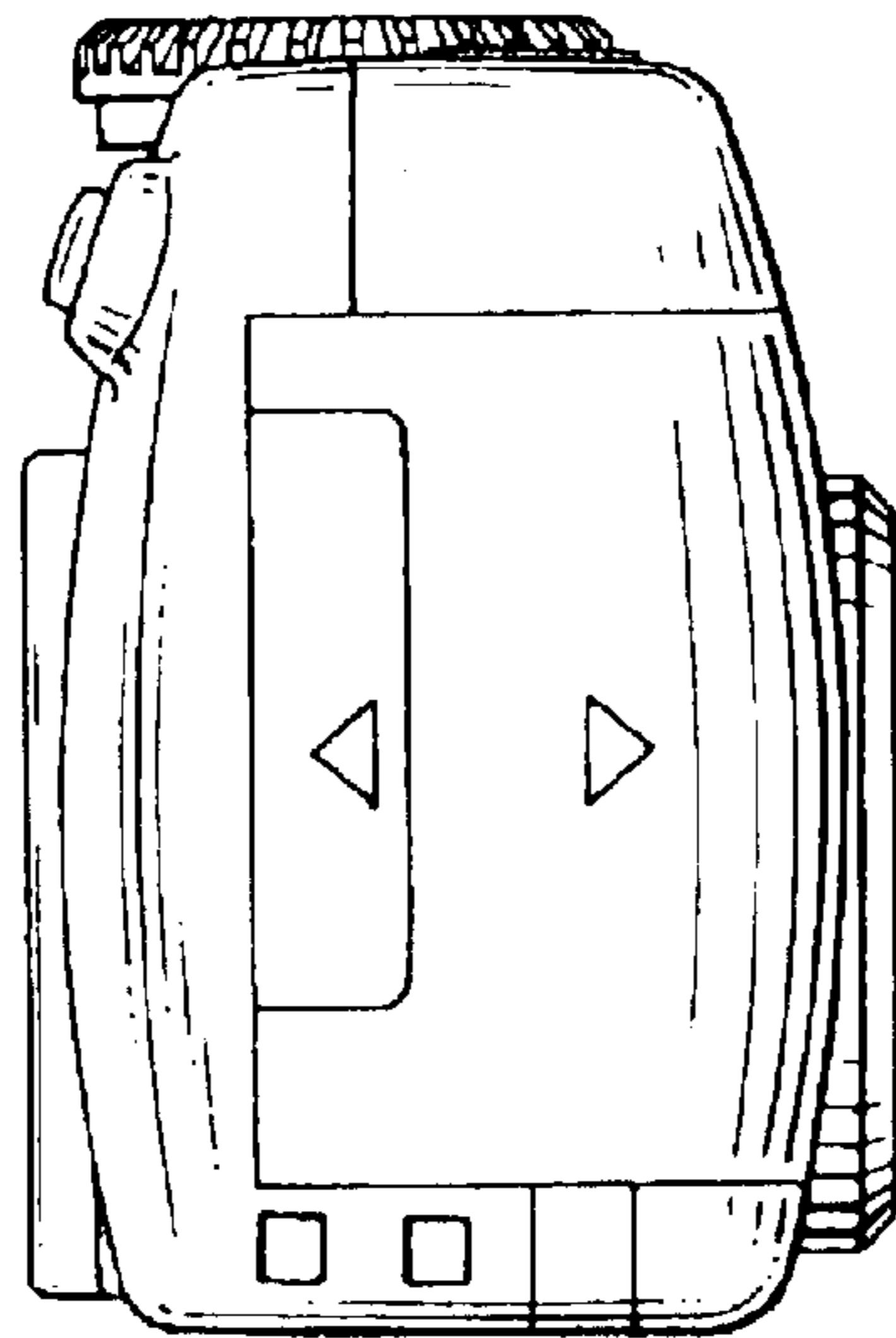


FIG. 7

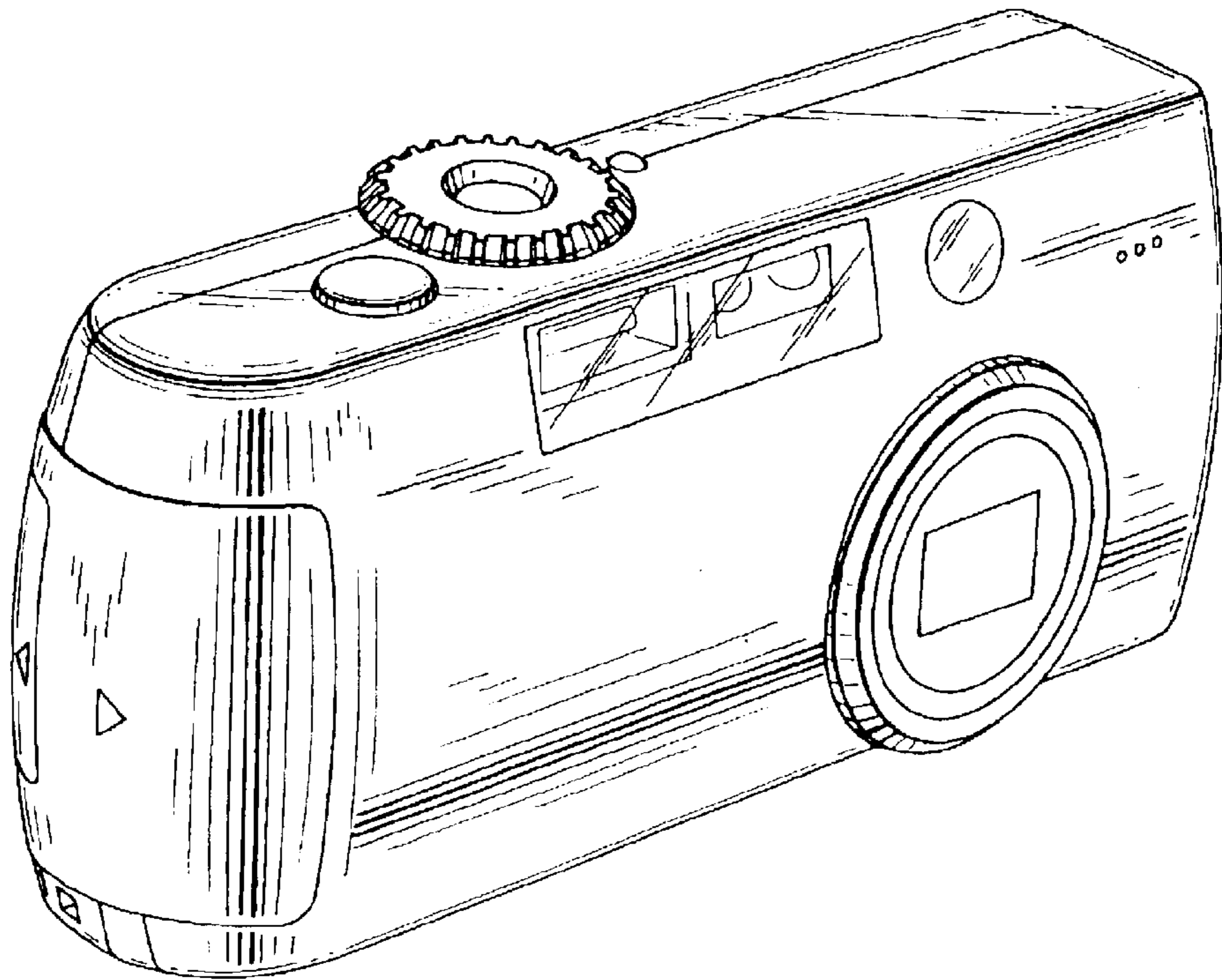


FIG. 8

