



US00D490826S

(12) **United States Design Patent**
Wu

(10) **Patent No.:** **US D490,826 S**

(45) **Date of Patent:** **** Jun. 1, 2004**

(54) **MITER SAW**

(75) **Inventor:** **Chengchao Wu**, Suzhou (CN)

(73) **Assignee:** **Positec Power Tools (Suzhou) Co., Ltd.**, Suzhou (CN)

(**) **Term:** **14 Years**

(21) **Appl. No.:** **29/178,134**

(22) **Filed:** **Mar. 21, 2003**

(30) **Foreign Application Priority Data**

Sep. 25, 2002 (CN) 2334349

(51) **LOC (7) Cl.** **15-09**

(52) **U.S. Cl.** **D15/133**

(58) **Field of Search** D15/133; 83/471.3,
83/486.1, 490, 581

(56) **References Cited**

U.S. PATENT DOCUMENTS

D455,445 S * 4/2002 Bean et al. D15/133

D467,256 S * 12/2002 Chunn et al. D15/133

D479,251 S * 9/2003 Wright D15/133

6,658,976 B2 * 12/2003 Dils et al. 83/471.3

* cited by examiner

Primary Examiner—Antoine D. Davis

(74) *Attorney, Agent, or Firm*—Hedman & Costigan, P.C.

(57) **CLAIM**

The ornamental design for a miter saw, as shown and described.

DESCRIPTION

FIG. 1 is a front view of the miter saw, which is the object of the present design;

FIG. 2 is a rear view thereof;

FIG. 3 is a left side view thereof;

FIG. 4 is a right side view thereof;

FIG. 5 is a top view thereof;

FIG. 6 is a bottom view thereof;

FIG. 7 is a first perspective view thereof; and,

FIG. 8 is a second perspective view thereof.

1 Claim, 4 Drawing Sheets

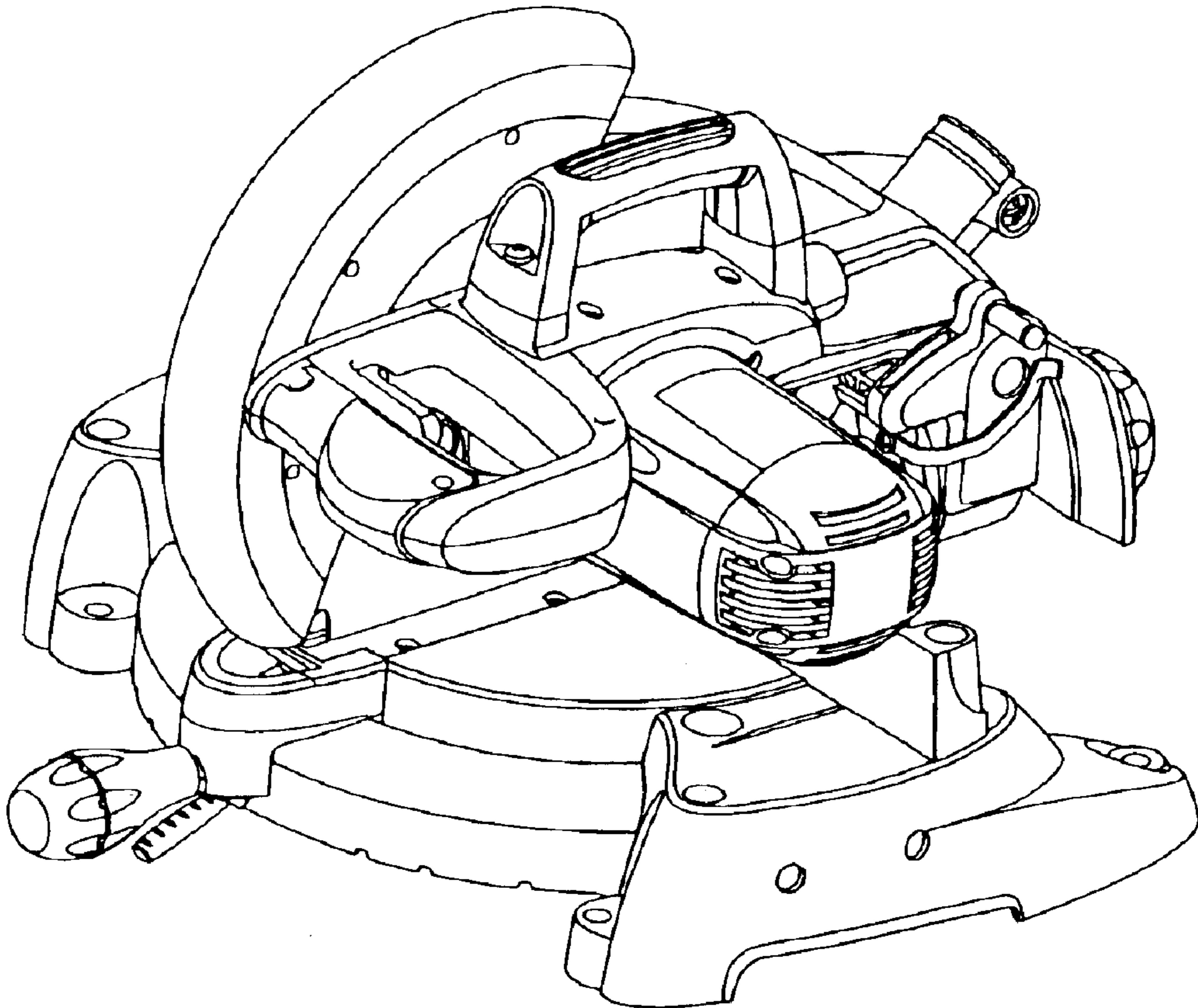


Fig. 1

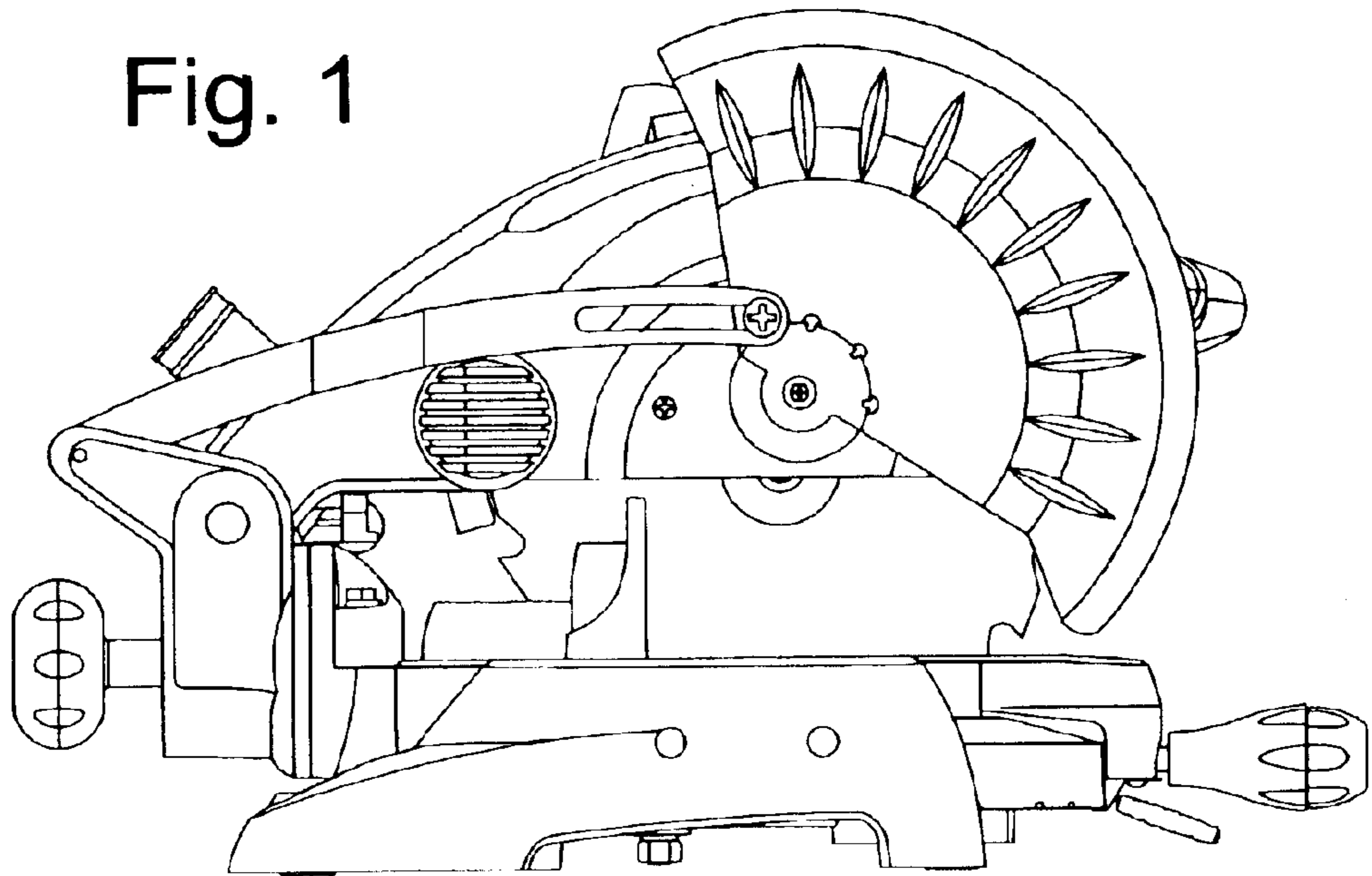
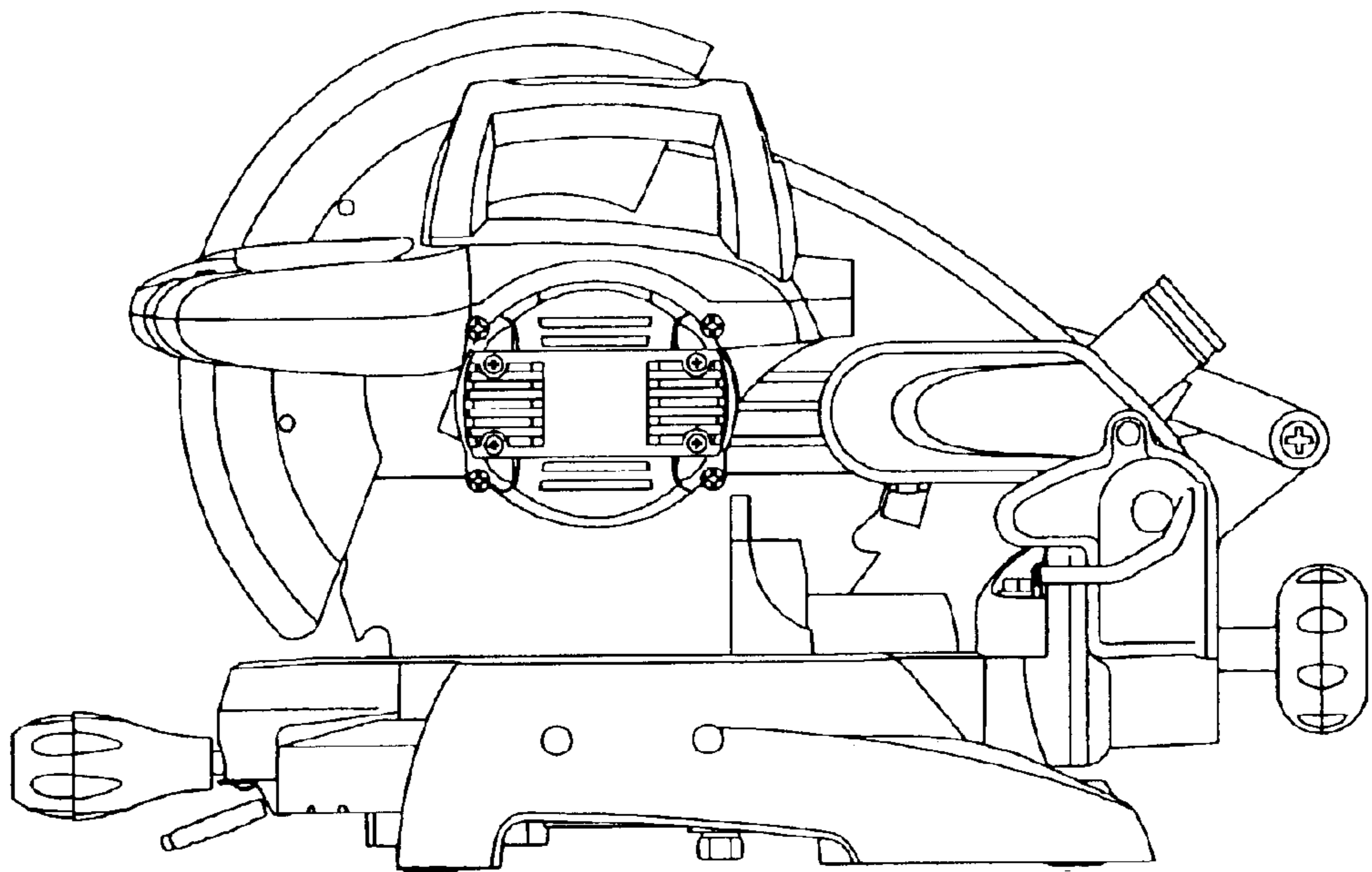


Fig. 2



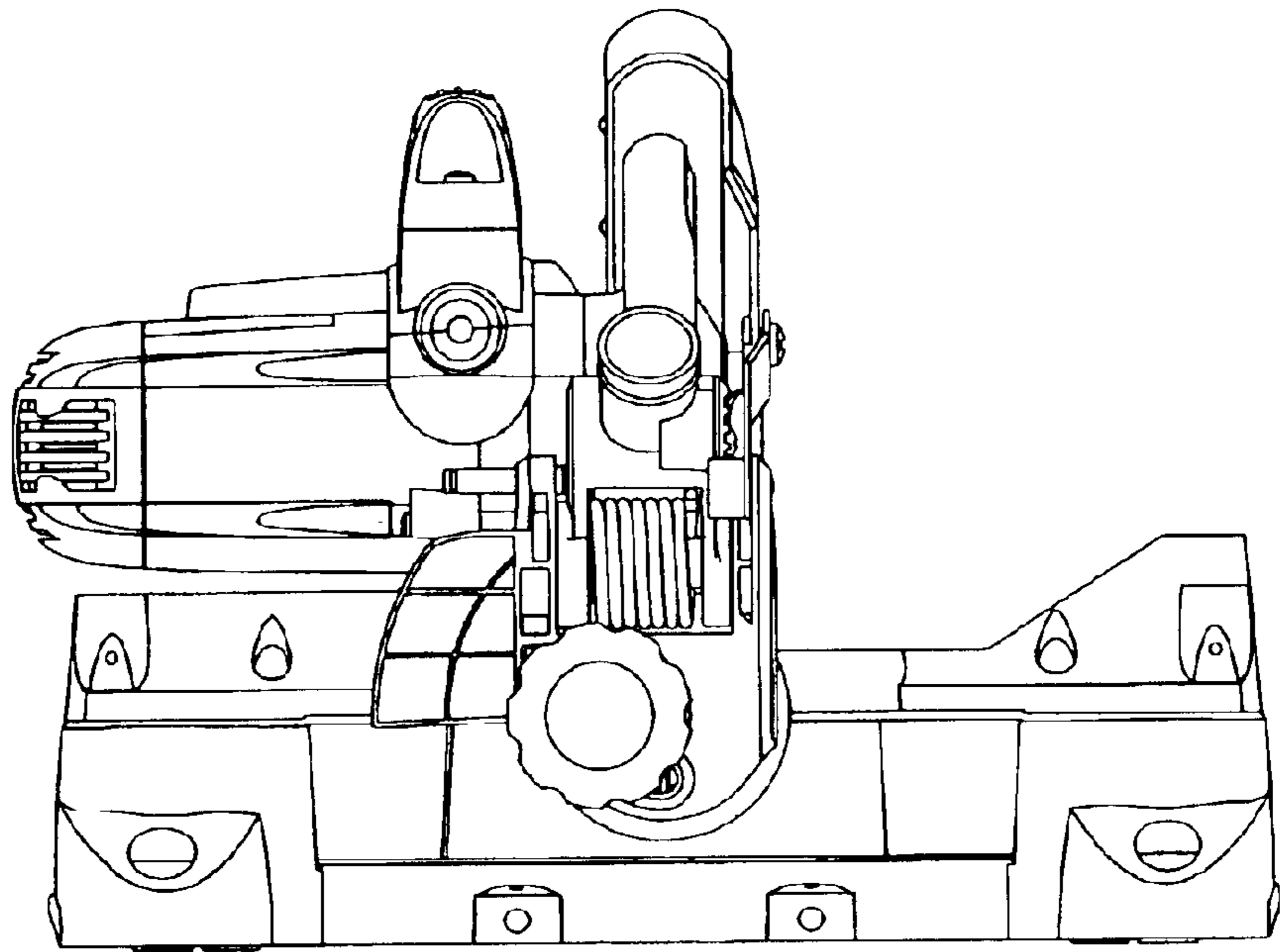


Fig. 3

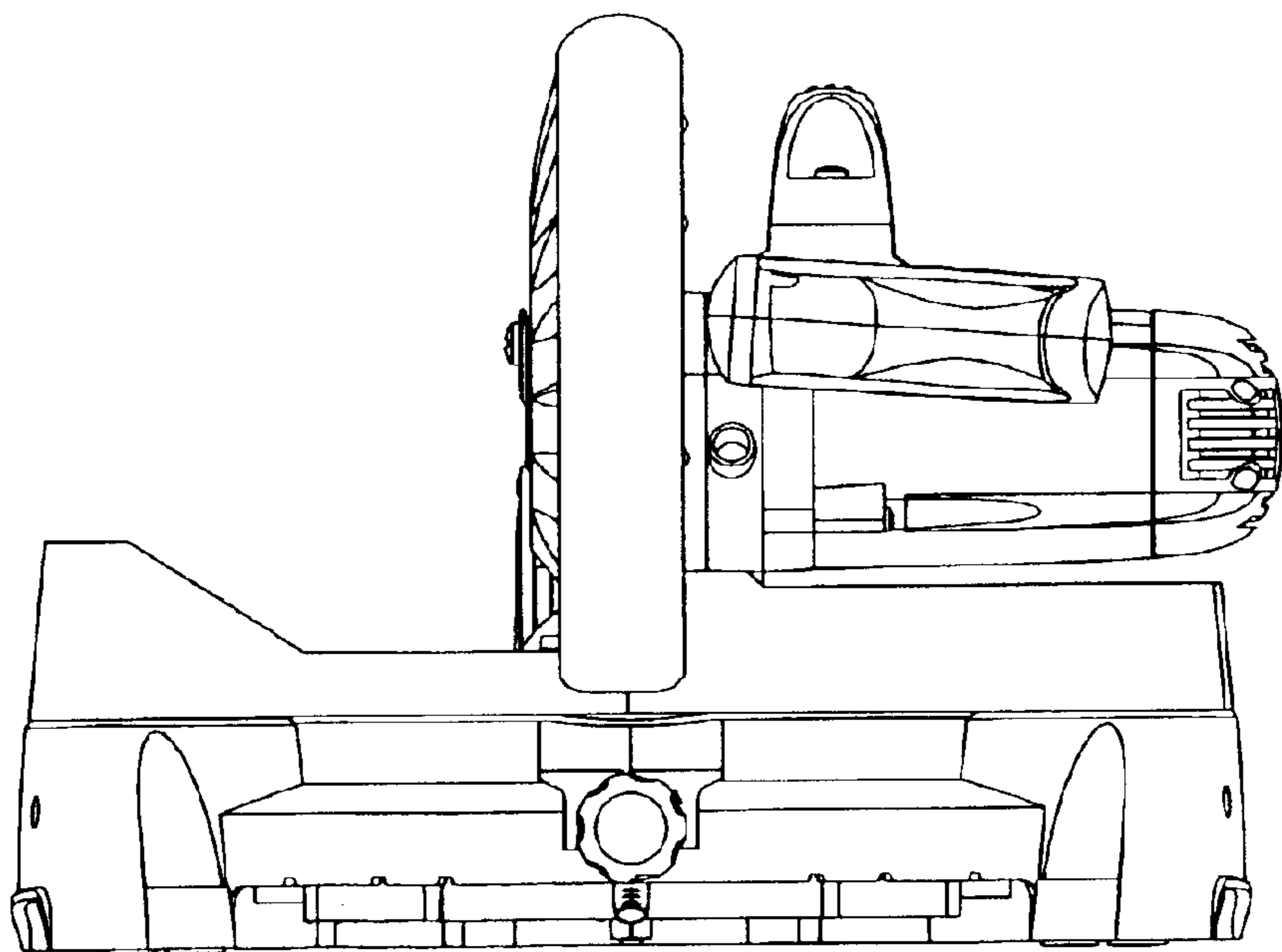


Fig. 4

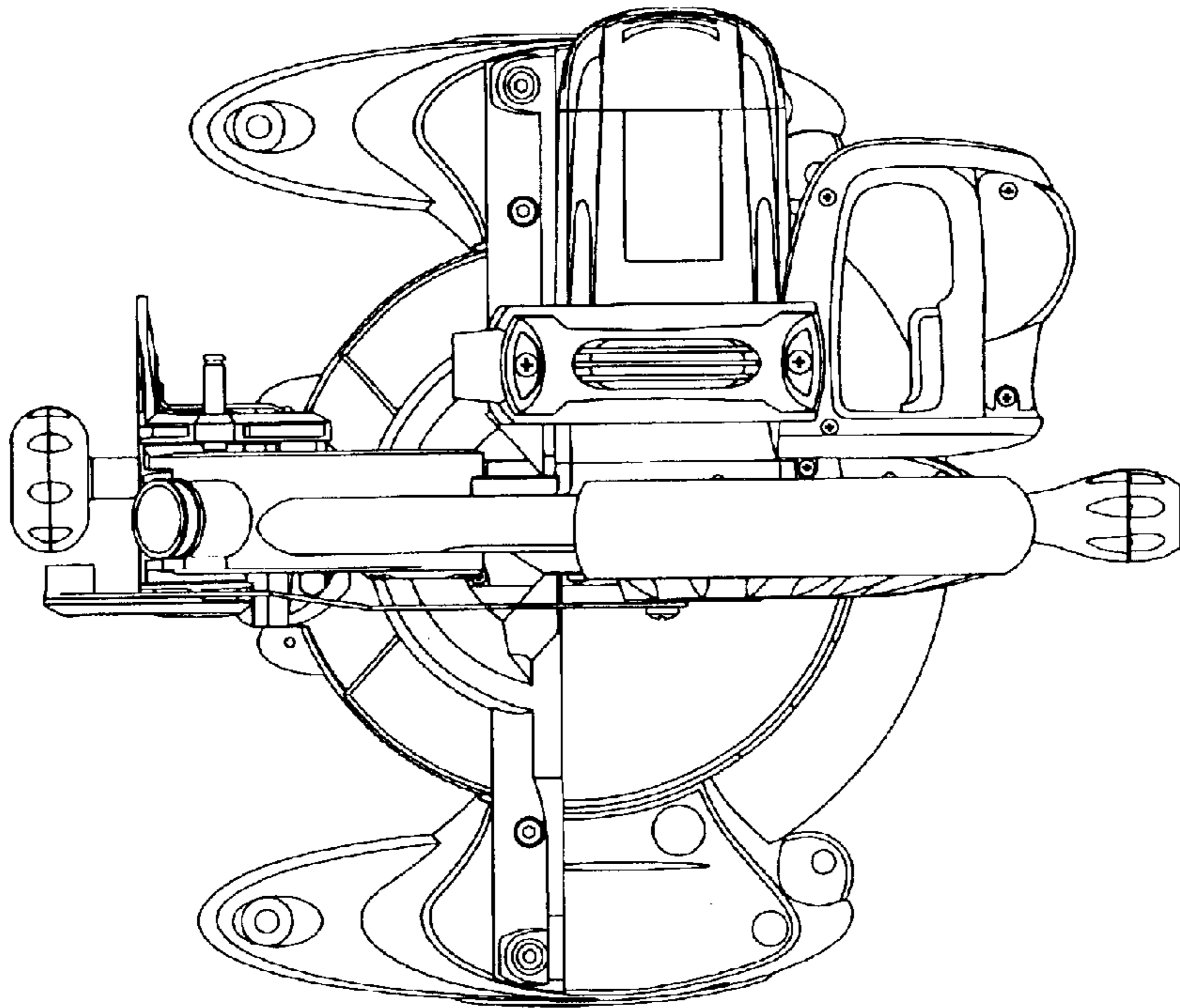


Fig. 5

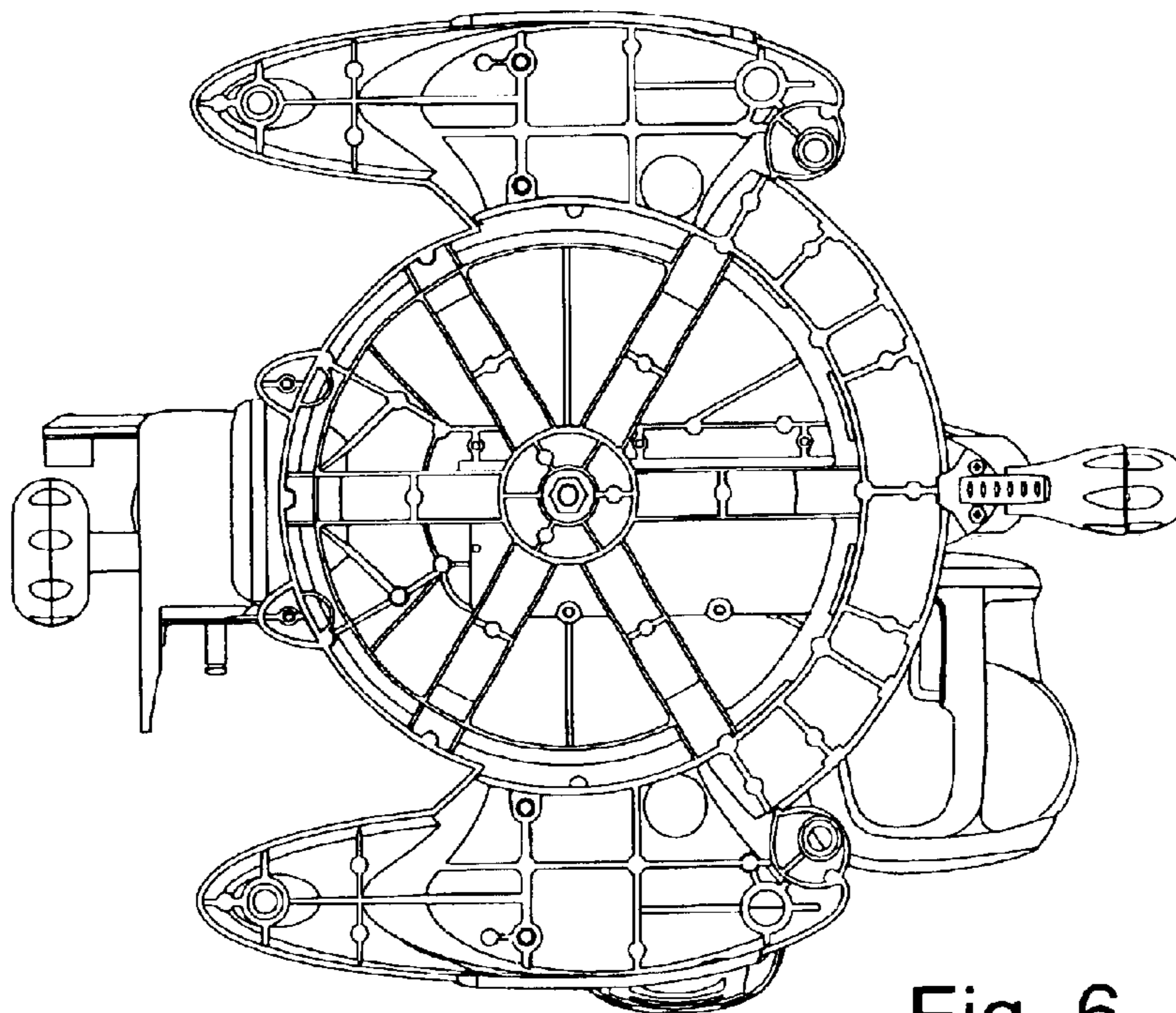


Fig. 6

Fig. 7

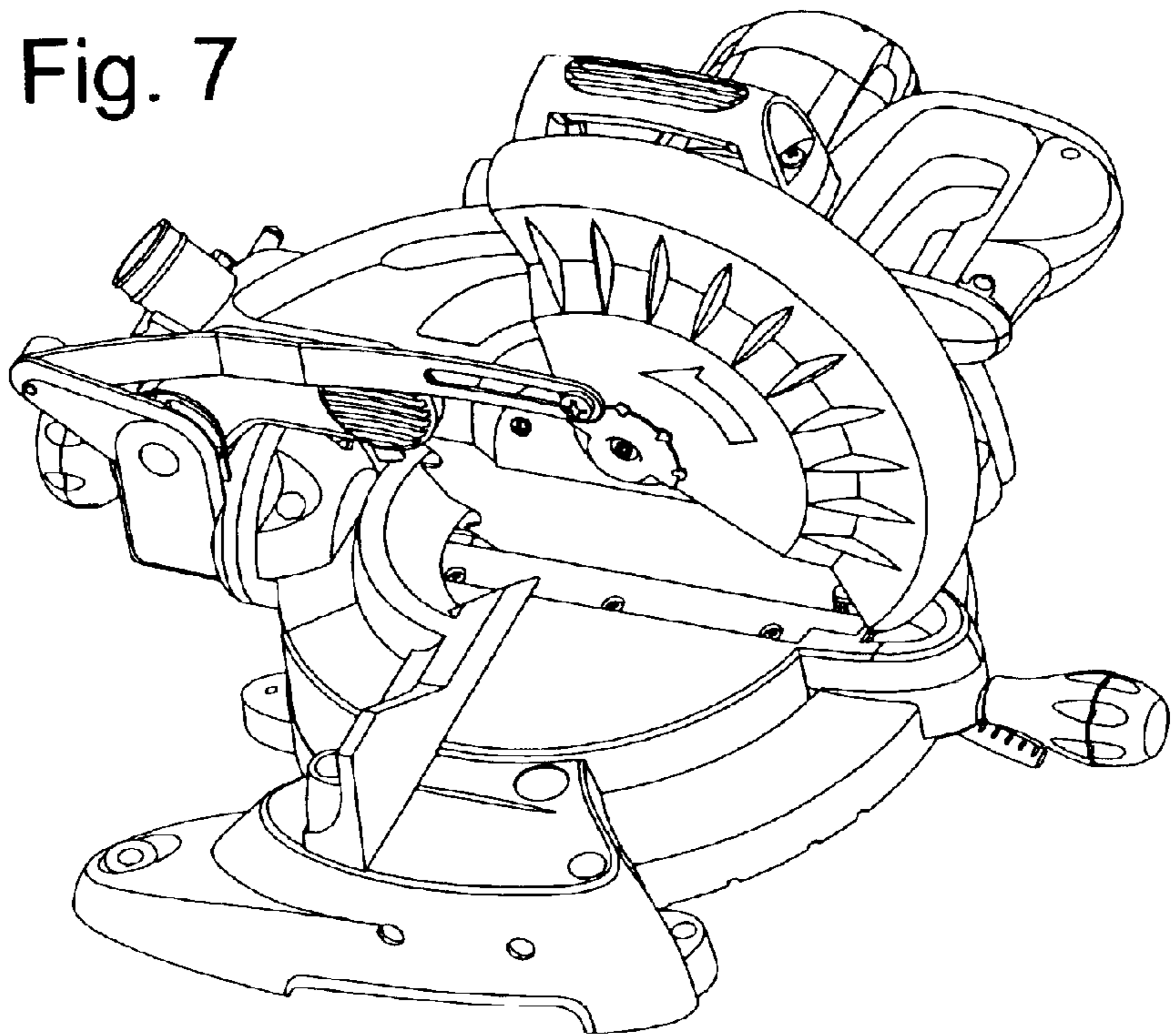


Fig. 8

