



US00D490825S

(12) **United States Design Patent**
White

(10) **Patent No.:** **US D490,825 S**

(45) **Date of Patent:** **** Jun. 1, 2004**

(54) **HORIZONTAL GROUND BORING APPARATUS**

6,491,115 B2 * 12/2002 Van Houwelling
et al. 175/27

(76) Inventor: **William A. White**, 6137 W. 231st,
Bucyrus, KS (US) 66013

* cited by examiner

(**) Term: **14 Years**

Primary Examiner—Antoine Duval Davis
(74) *Attorney, Agent, or Firm*—Dale J. Ream

(21) Appl. No.: **29/172,321**

(22) Filed: **Dec. 10, 2002**

(57) **CLAIM**

The ornamental design for a horizontal ground boring apparatus, as shown and described.

(51) **LOC (7) Cl.** **15-09**

DESCRIPTION

(52) **U.S. Cl.** **D15/132**

(58) **Field of Search** D15/132; 175/52,
175/27, 49, 24, 57, 19, 26, 40, 45, 48,
61, 320, 162; 184/7.9, 15.3, 6; 166/255.2,
380, 65.1

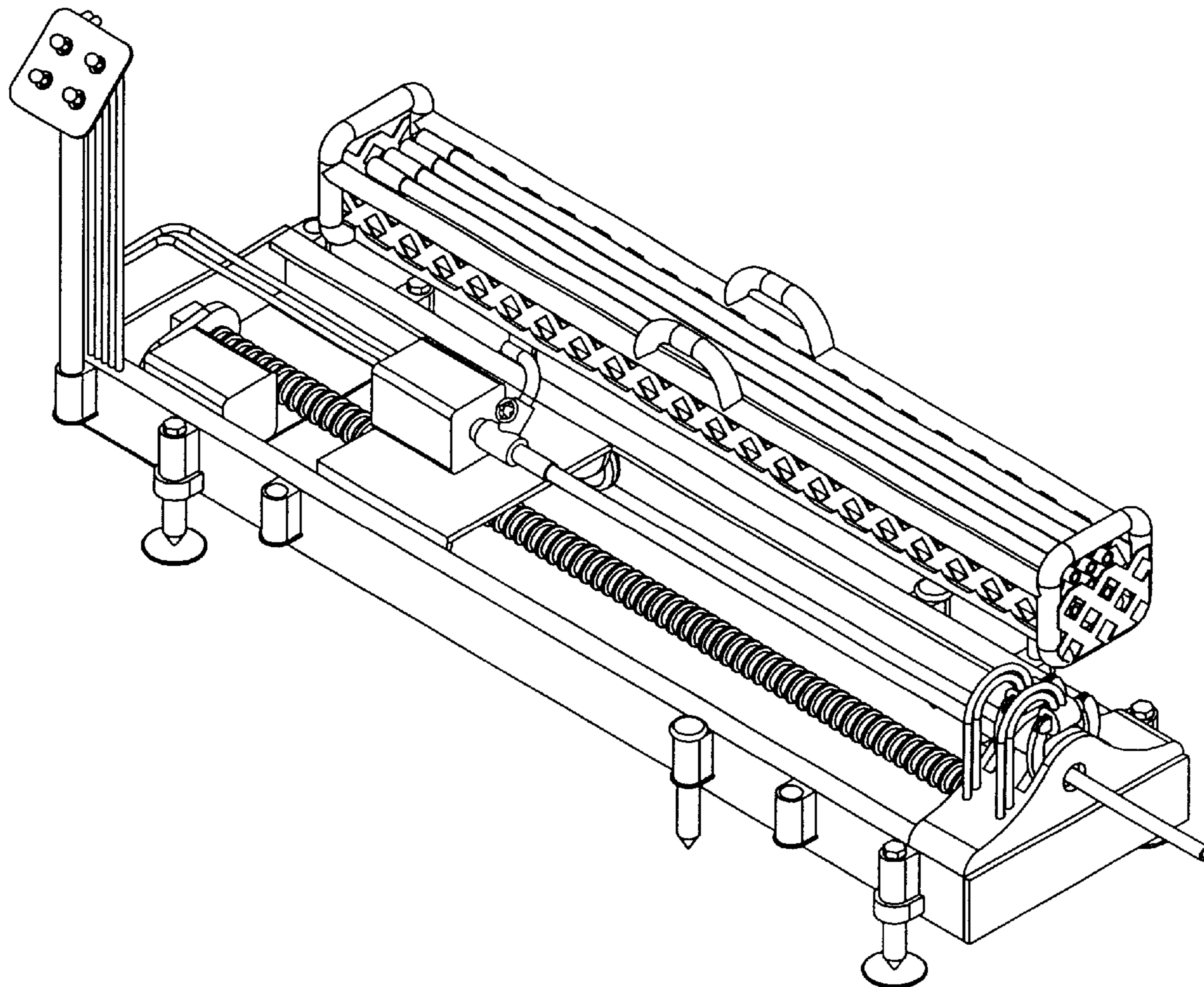
FIG. 1 is a perspective view of a horizontal ground boring apparatus showing my new design; FIG. 2 is a left side view thereof; FIG. 3 is a right side view thereof; FIG. 4 is a front end view thereof; FIG. 5 is a rear end thereof. FIG. 6 is a top view thereof; and, FIG. 7 is a bottom view thereof.

(56) **References Cited**

U.S. PATENT DOCUMENTS

6,484,818 B2 * 11/2002 Alft et al. 175/45

1 Claim, 7 Drawing Sheets



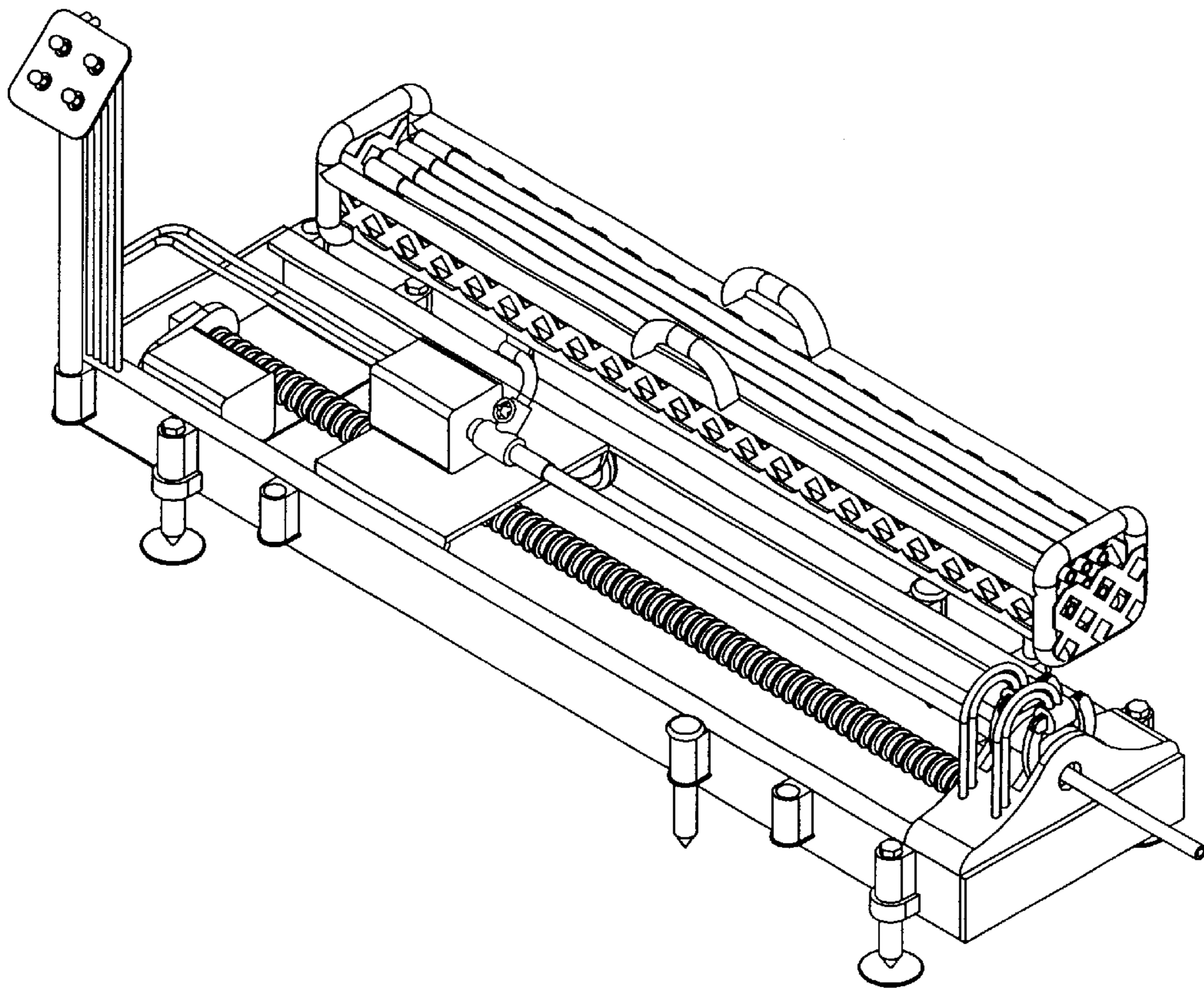


FIG. 1

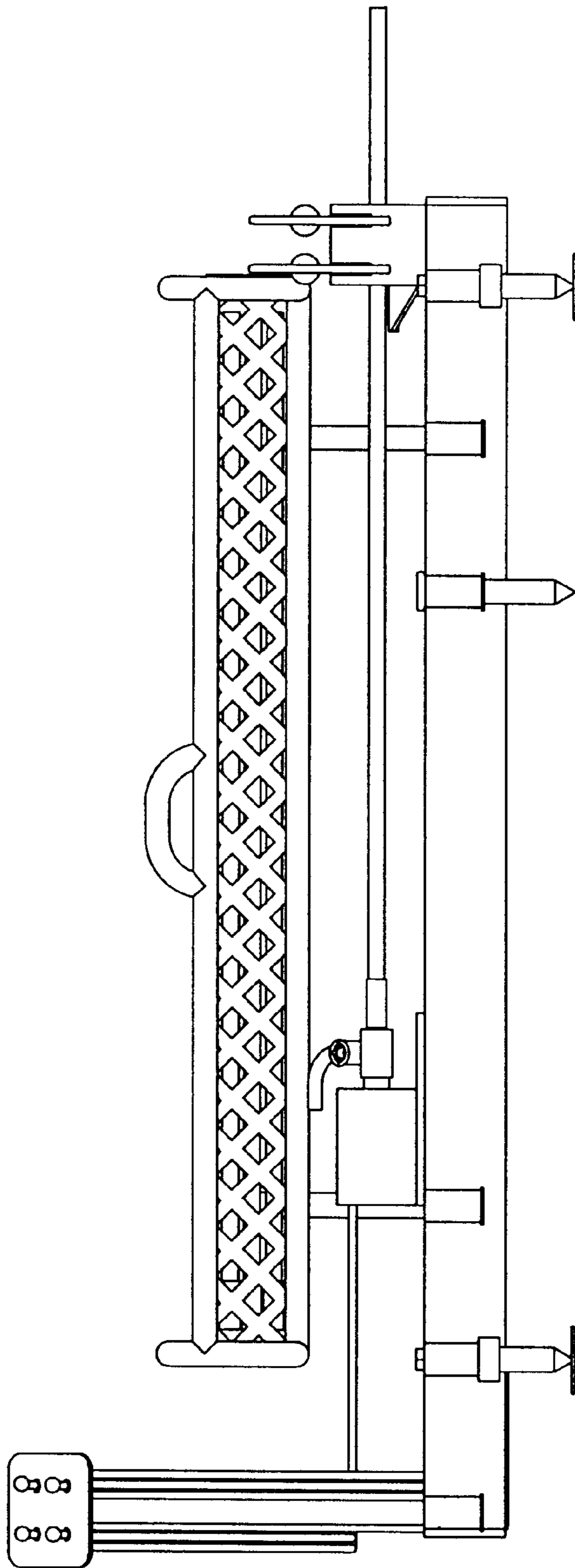


FIG. 2

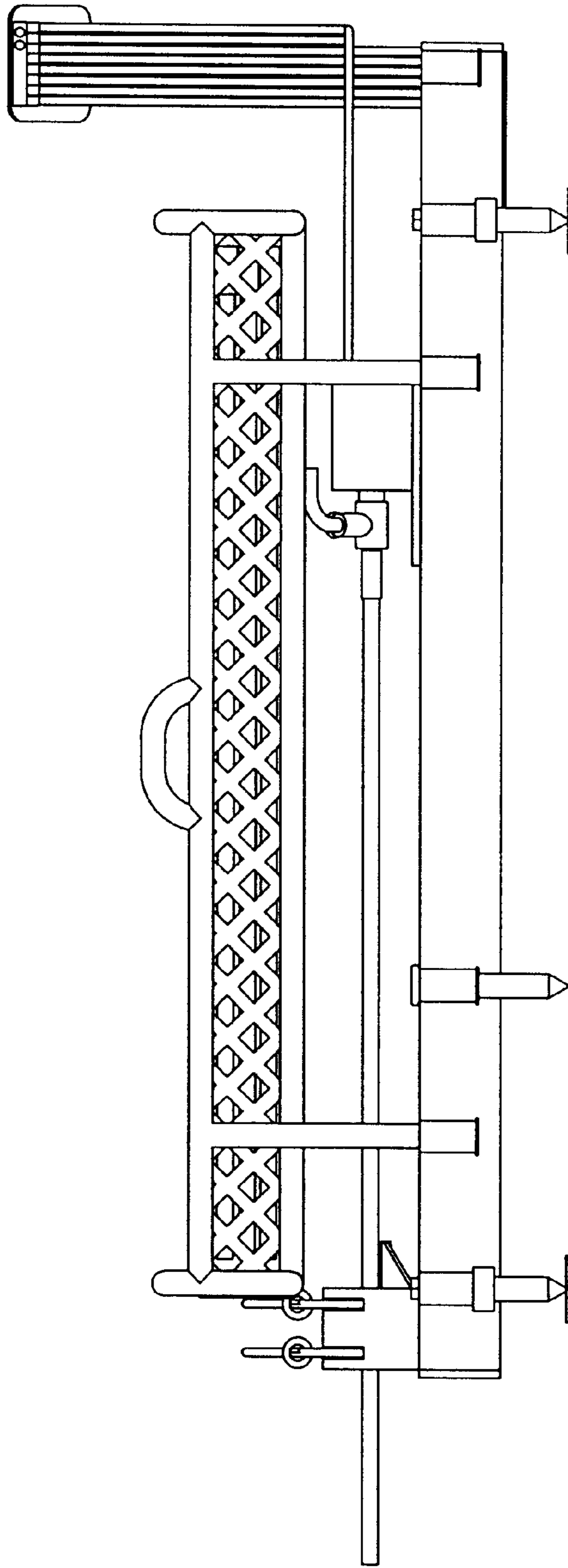


FIG. 3

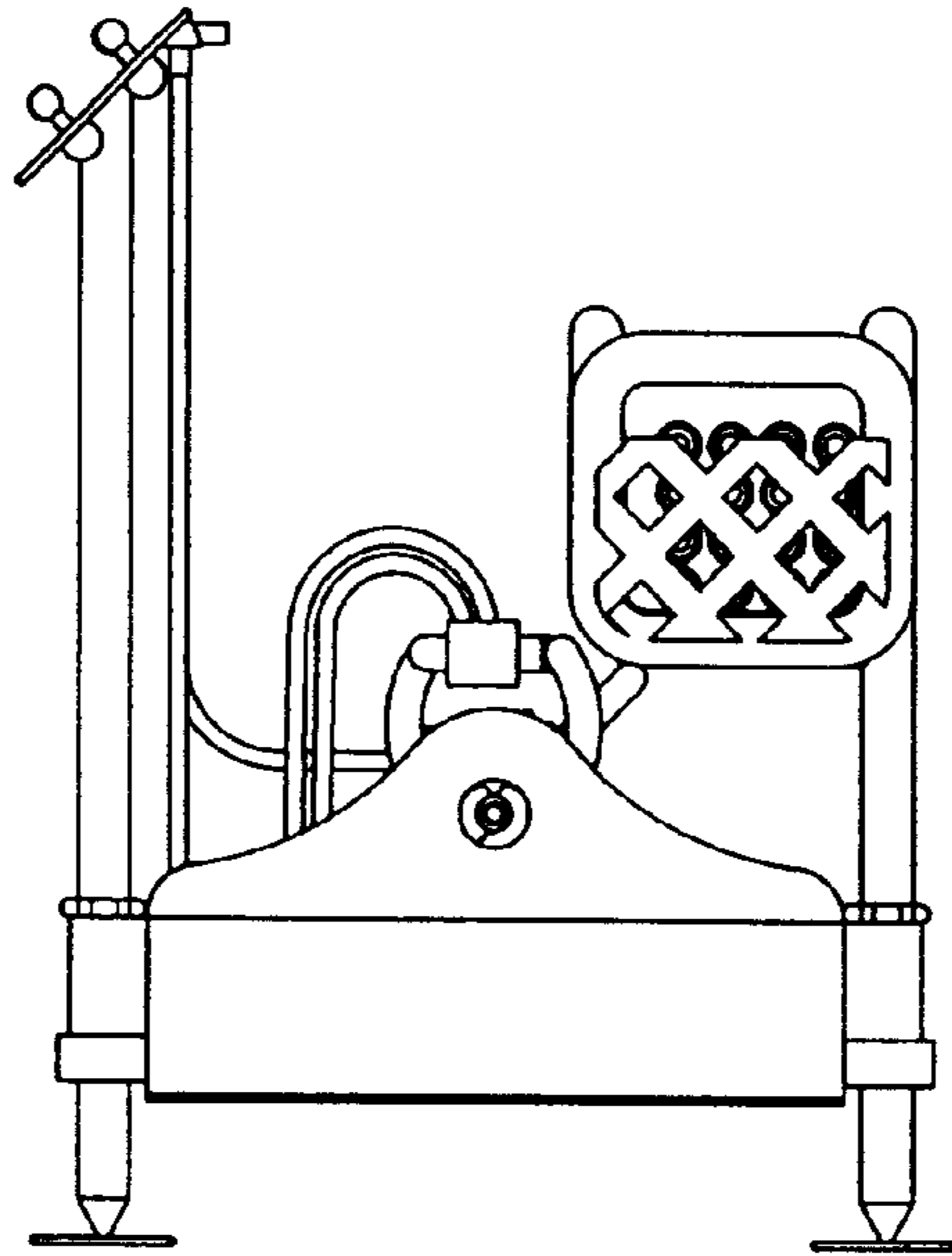


FIG. 4

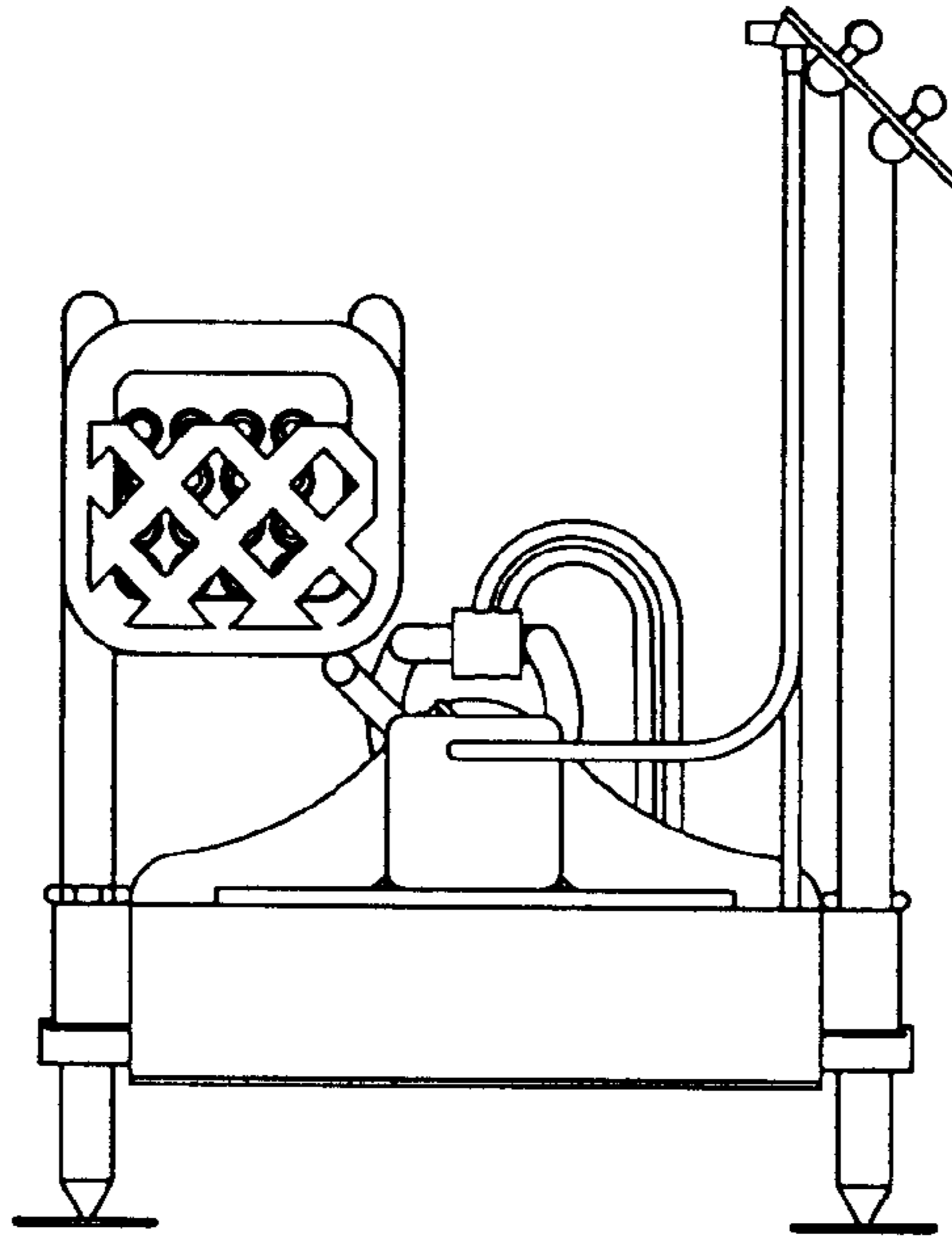


FIG. 5

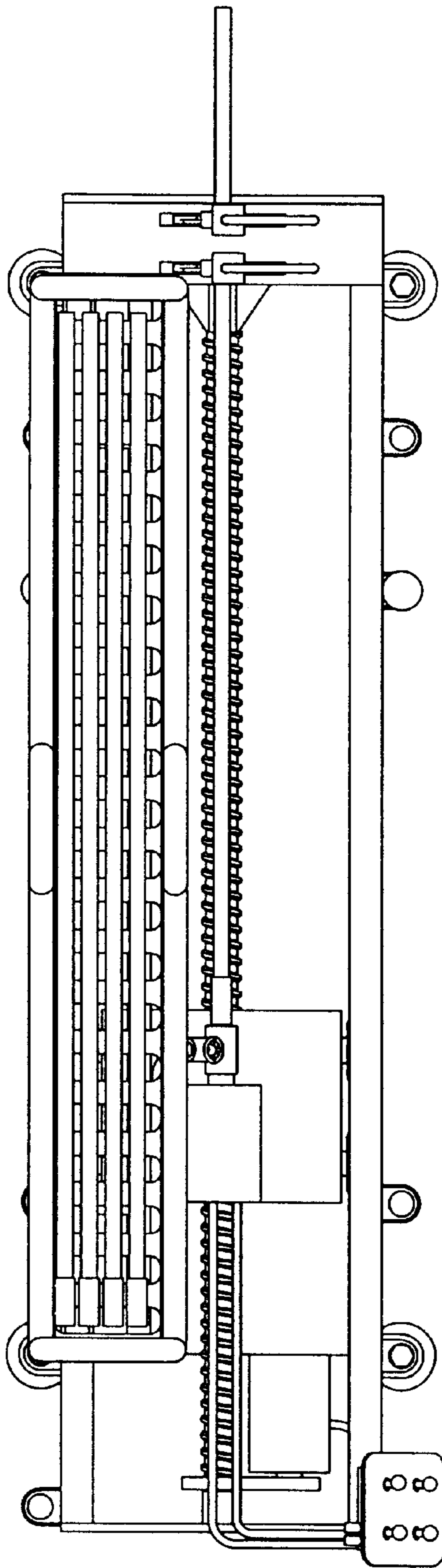


FIG. 6

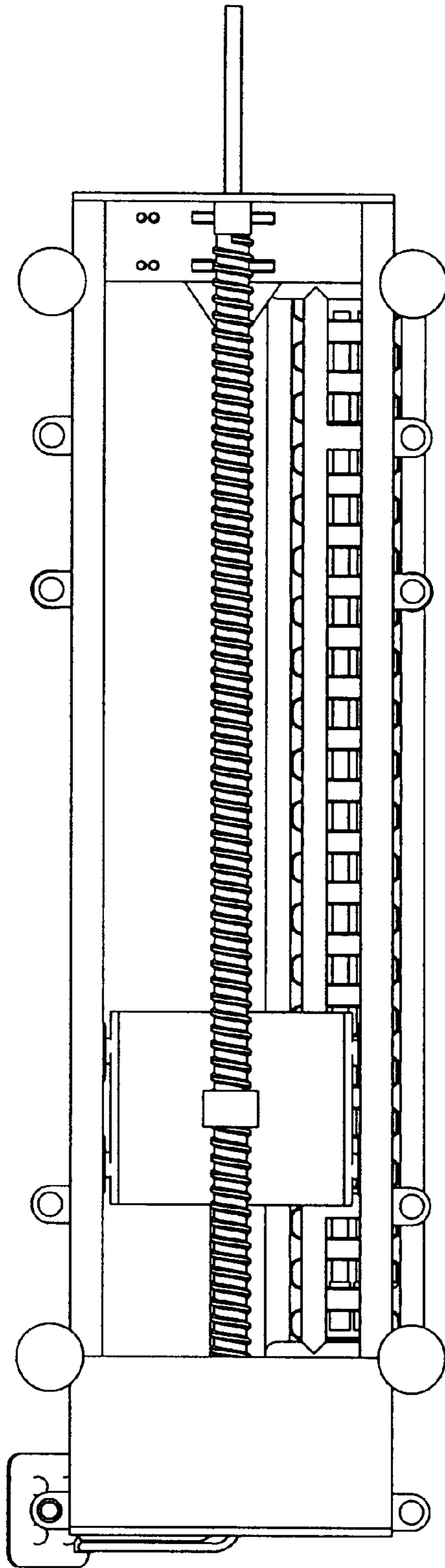


FIG. 7