



US00D490824S

(12) **United States Design Patent**
Egami

(10) **Patent No.:** **US D490,824 S**

(45) **Date of Patent:** **** Jun. 1, 2004**

(54) **SEWING MACHINE**

(75) Inventor: **Keiichiro Egami**, Nagoya (JP)

(73) Assignee: **Brother Industries, Ltd.**, Nagoya (JP)

(**) Term: **14 Years**

(21) Appl. No.: **29/178,321**

(22) Filed: **Mar. 26, 2003**

(30) **Foreign Application Priority Data**

Nov. 7, 2002 (JP) 2002-030550

(51) **LOC (7) Cl.** **15-06**

(52) **U.S. Cl.** **D15/69**

(58) **Field of Search** D15/66, 69-76;
112/63, 258-261, 217.1-217.4

(56) **References Cited**

U.S. PATENT DOCUMENTS

4,217,841 A	*	8/1980	Daido et al.	112/277
D292,930 S	*	11/1987	Yoneda	D15/70
D366,490 S	*	1/1996	Wu	D15/69
D403,333 S	*	12/1998	Takada et al.	D15/70
D462,703 S	*	9/2002	Farne	D15/69
D481,738 S	*	11/2003	Egami	D15/69

* cited by examiner

Primary Examiner—Mitchell Siegel

(74) *Attorney, Agent, or Firm*—Oliff & Berridge, PLC

(57) **CLAIM**

The ornamental design for a sewing machine, as shown and described.

DESCRIPTION

FIG. 1 is a perspective view of a sewing machine with transparent covers in a closed position;

FIG. 2 is a perspective view thereof with transparent covers in an open position;

FIG. 3 is a perspective view thereof with one transparent cover in the closed position and the other transparent cover in the open position;

FIG. 4 is a front view thereof with the covers in the closed position;

FIG. 5 is a rear view thereof;

FIG. 6 is a left-side view thereof;

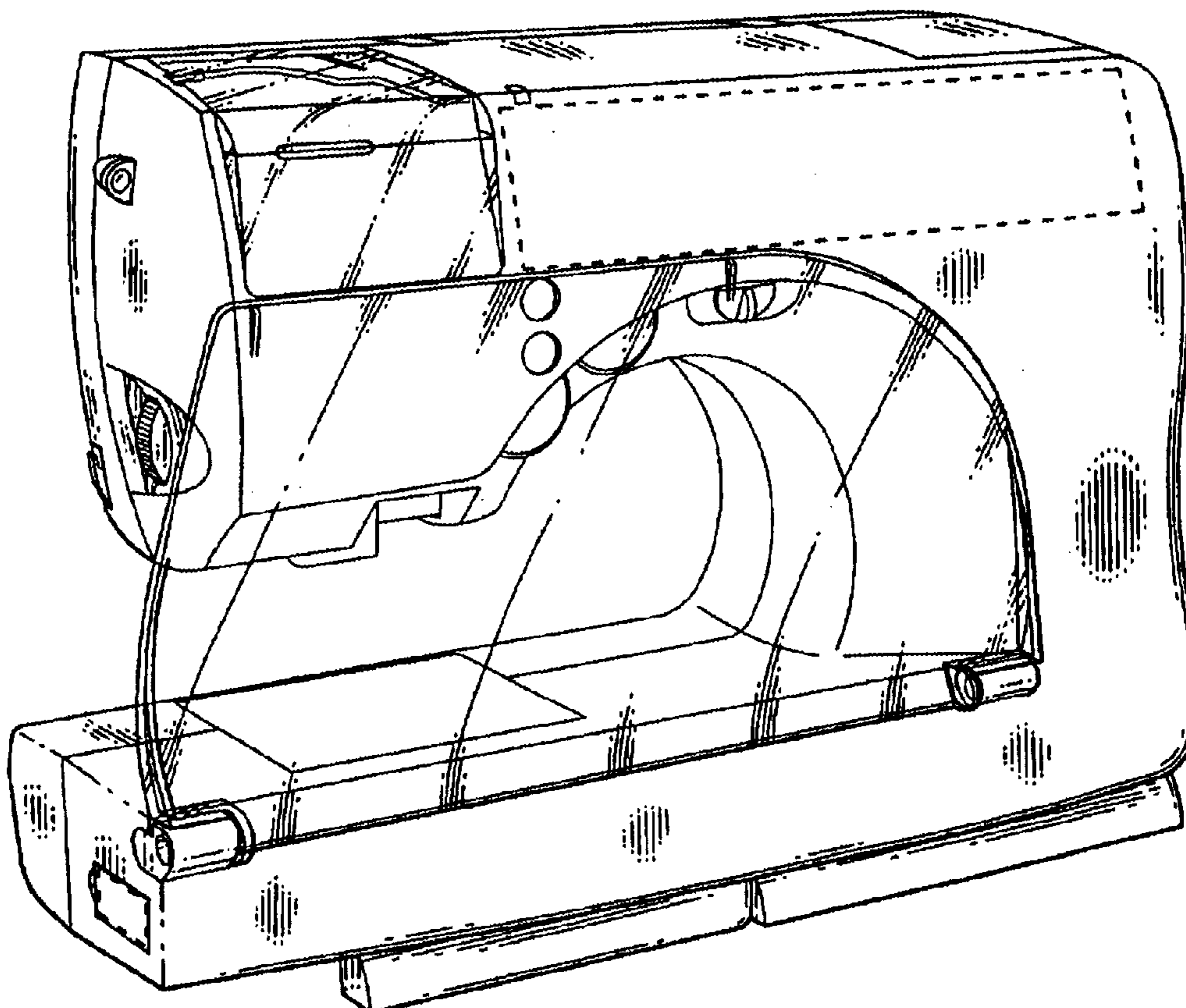
FIG. 7 is a right-side view thereof;

FIG. 8 is a top view thereof; and,

FIG. 9 is a bottom view thereof.

The broken line showing defines the bounds of the claimed design but does not form part of the claimed design.

1 Claim, 7 Drawing Sheets



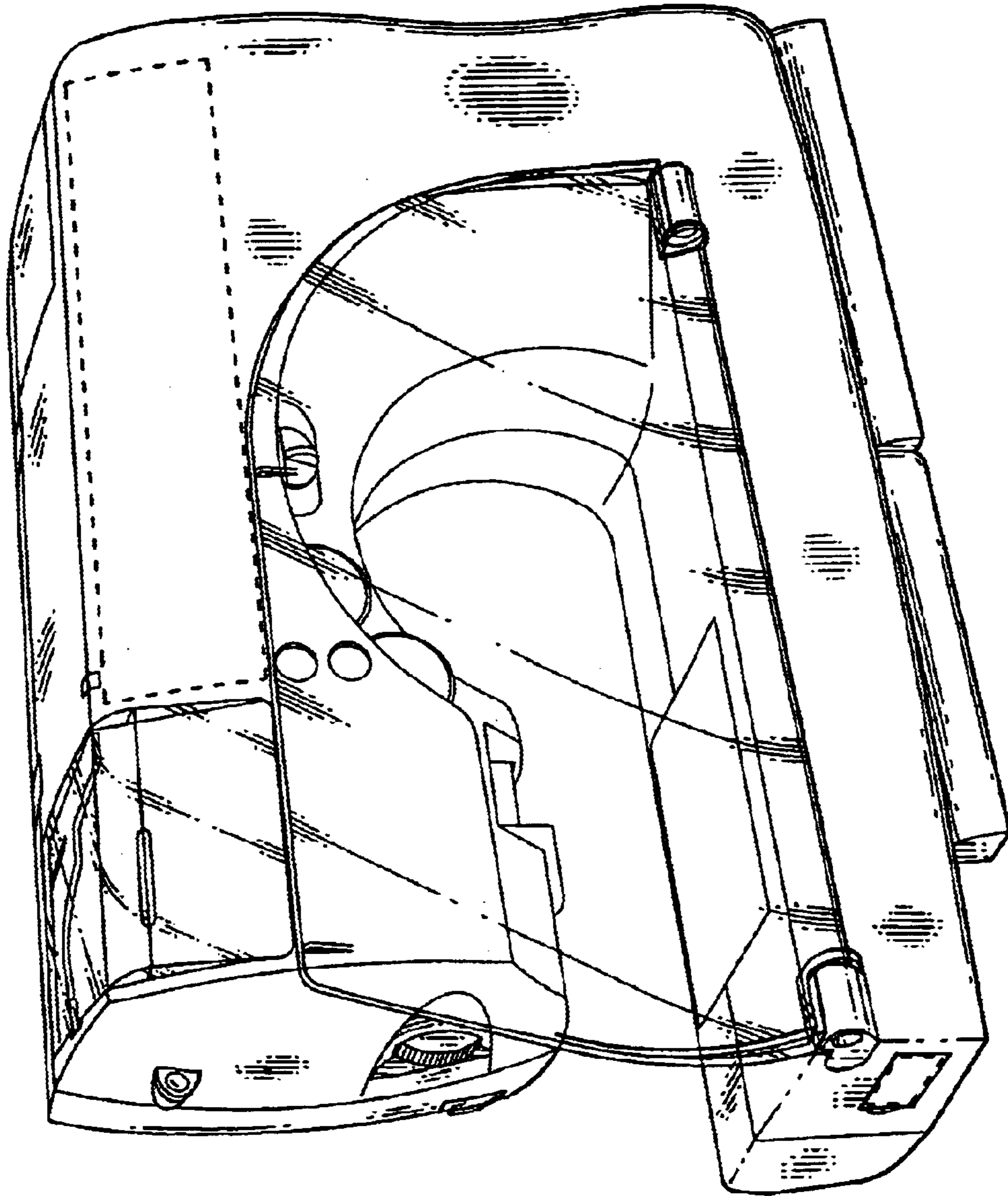


Fig. 1

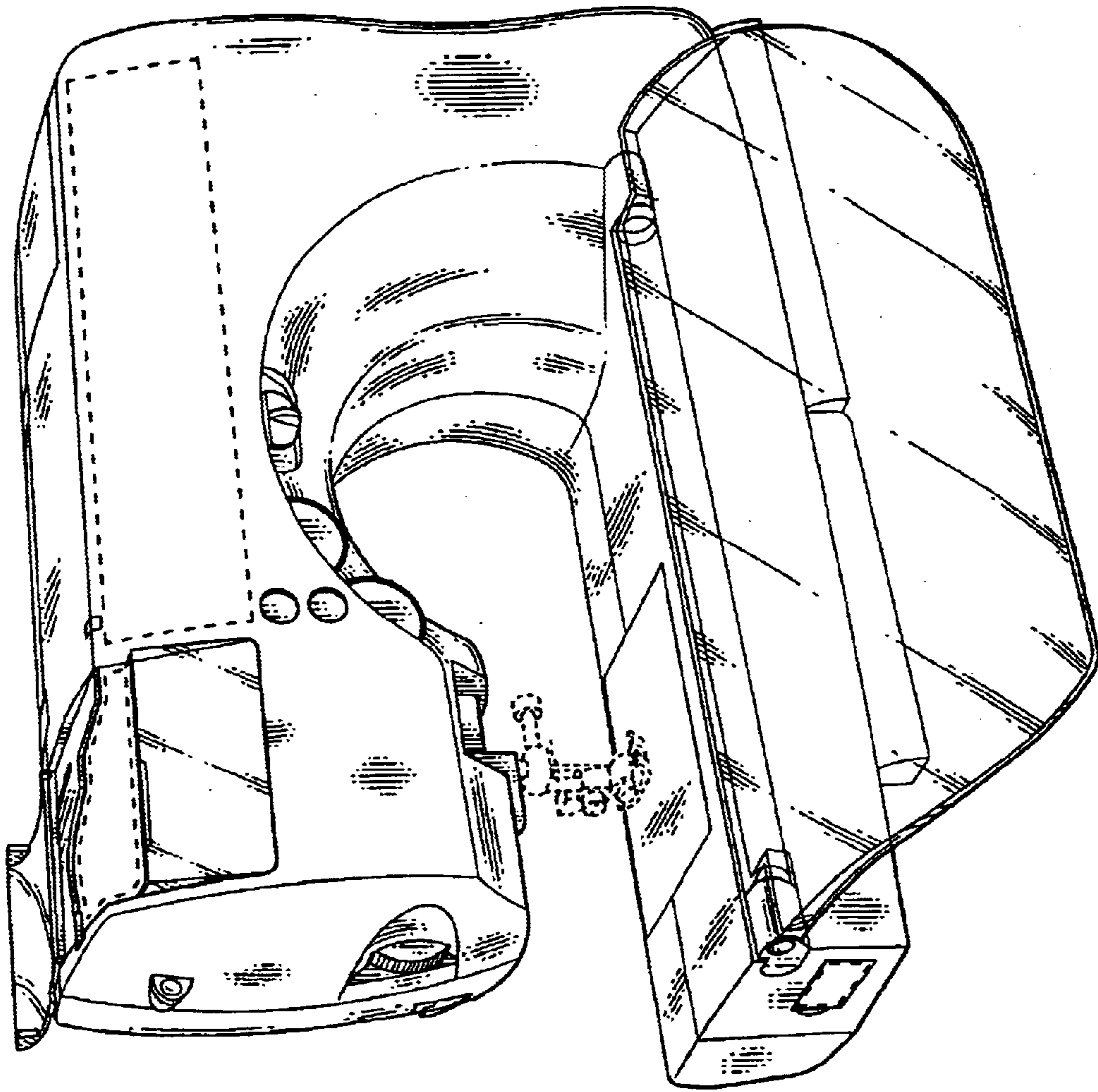


Fig. 2

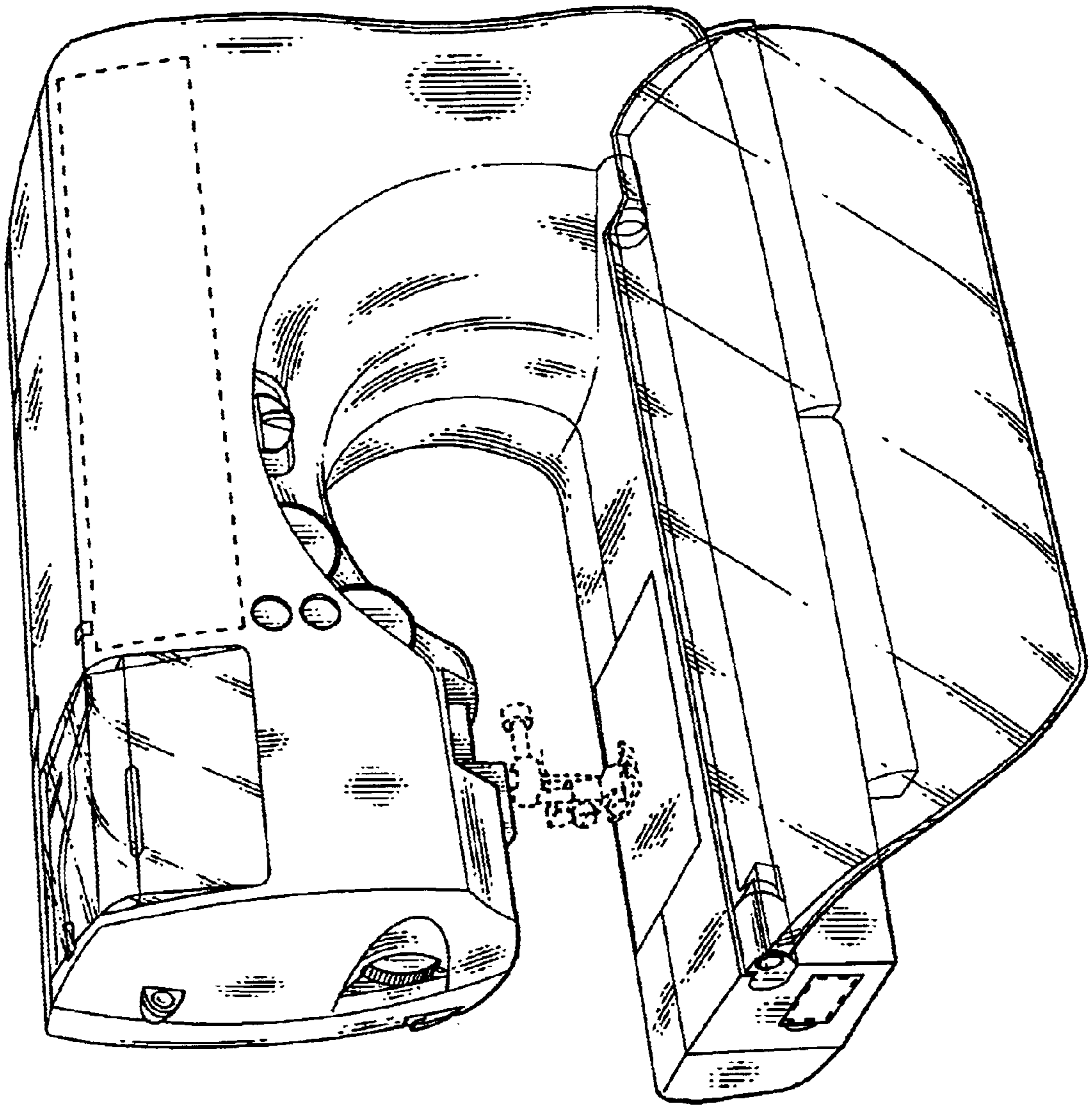


Fig. 3

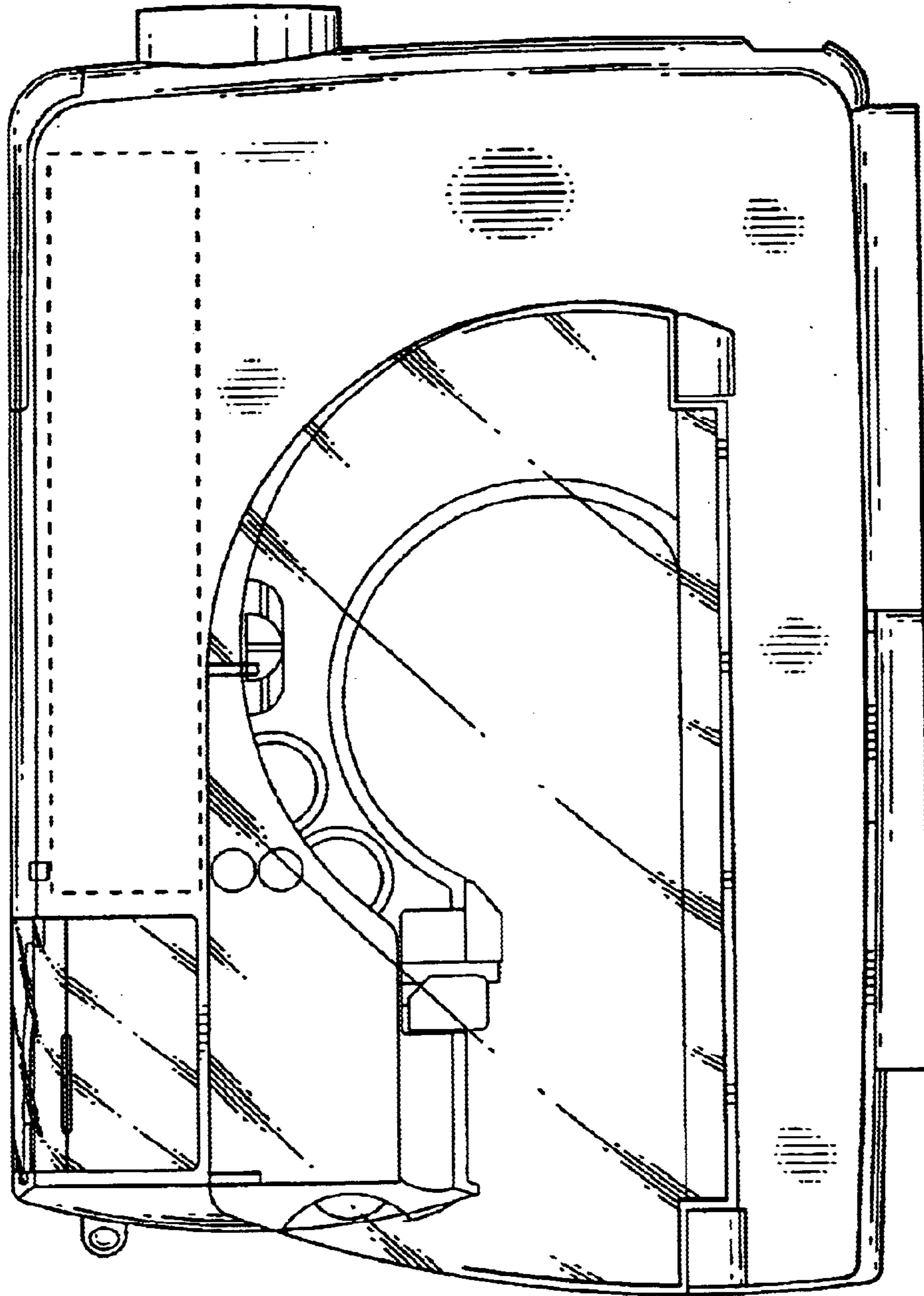


Fig. 4

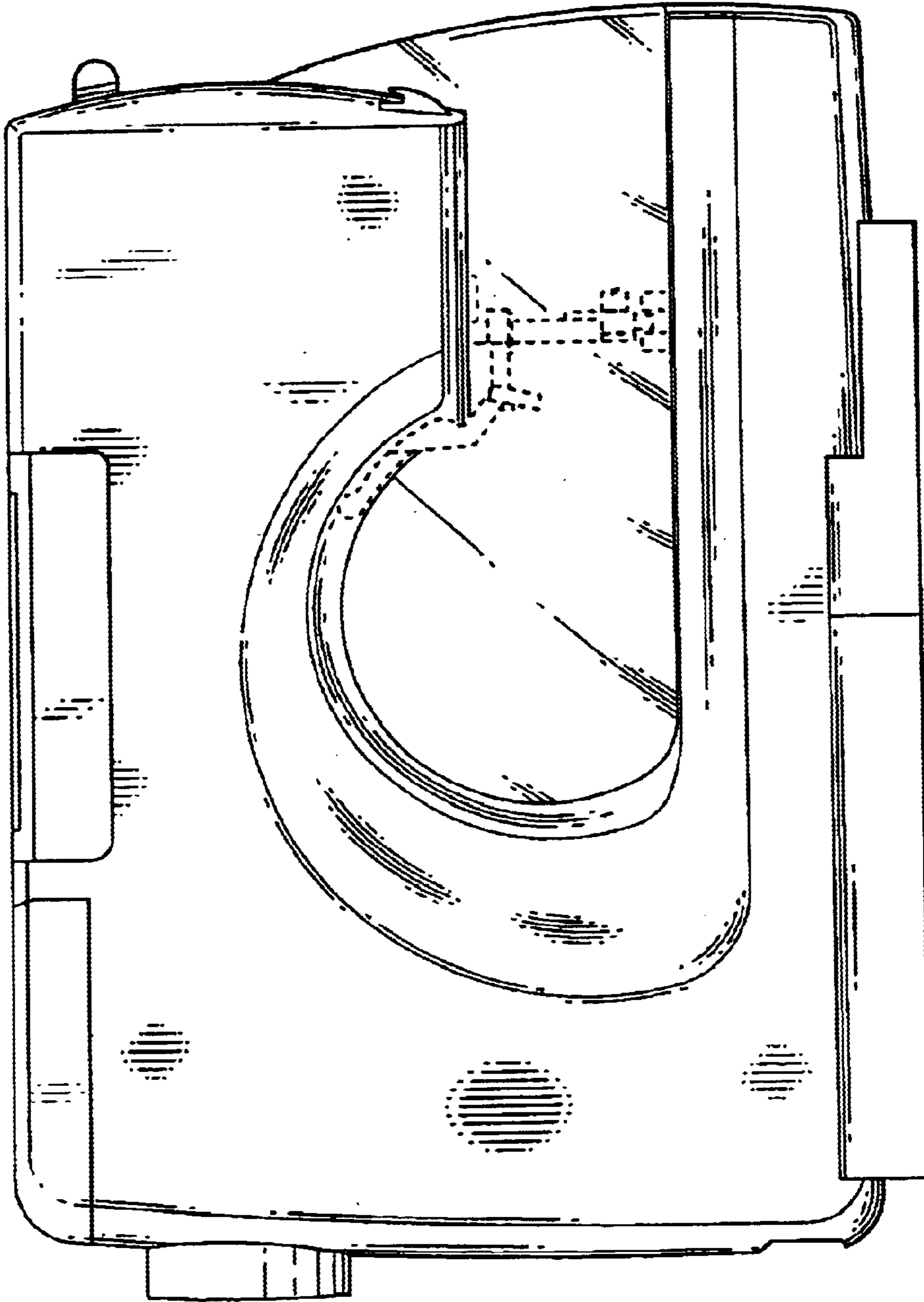


Fig. 5

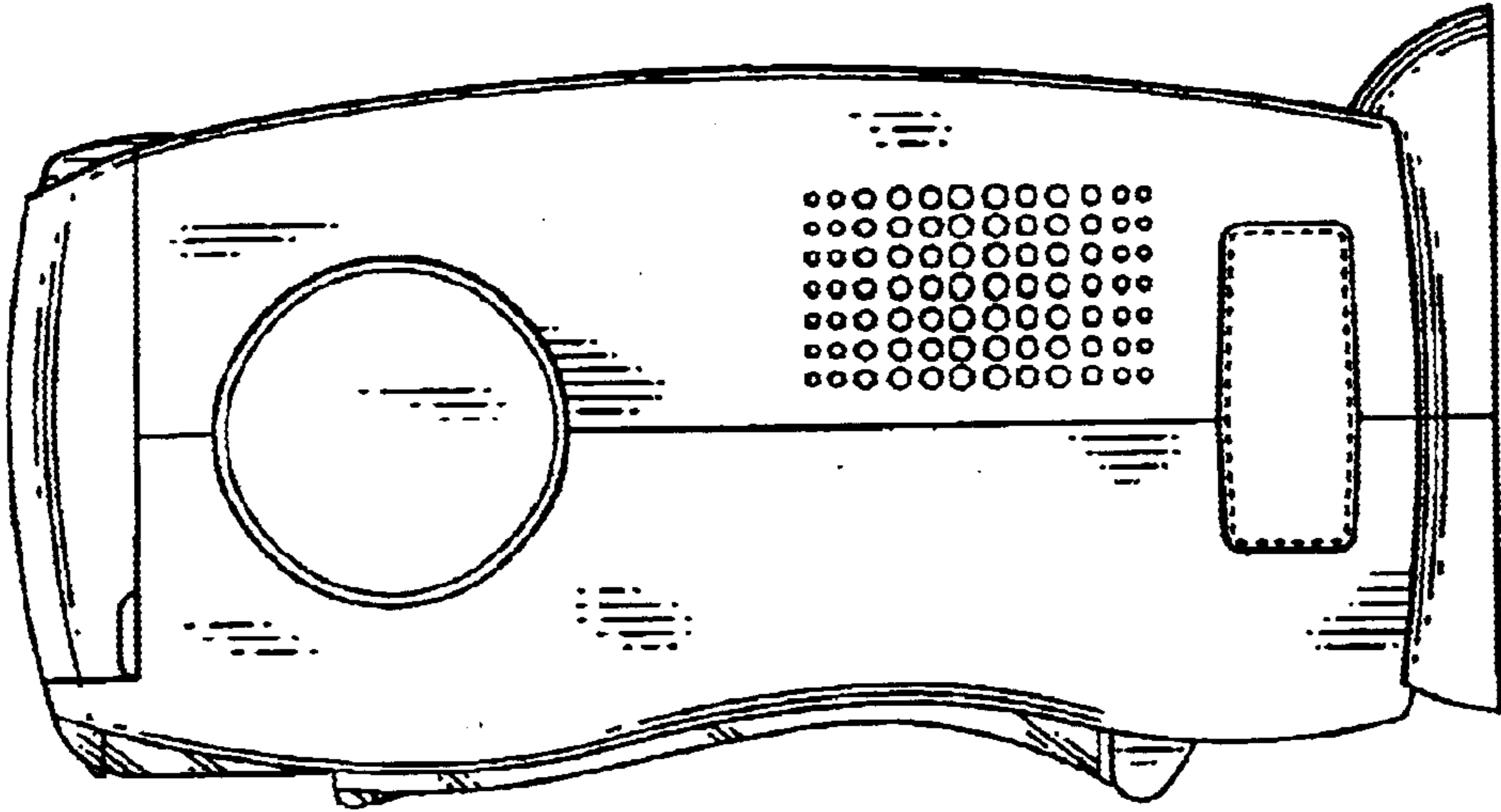


Fig. 7

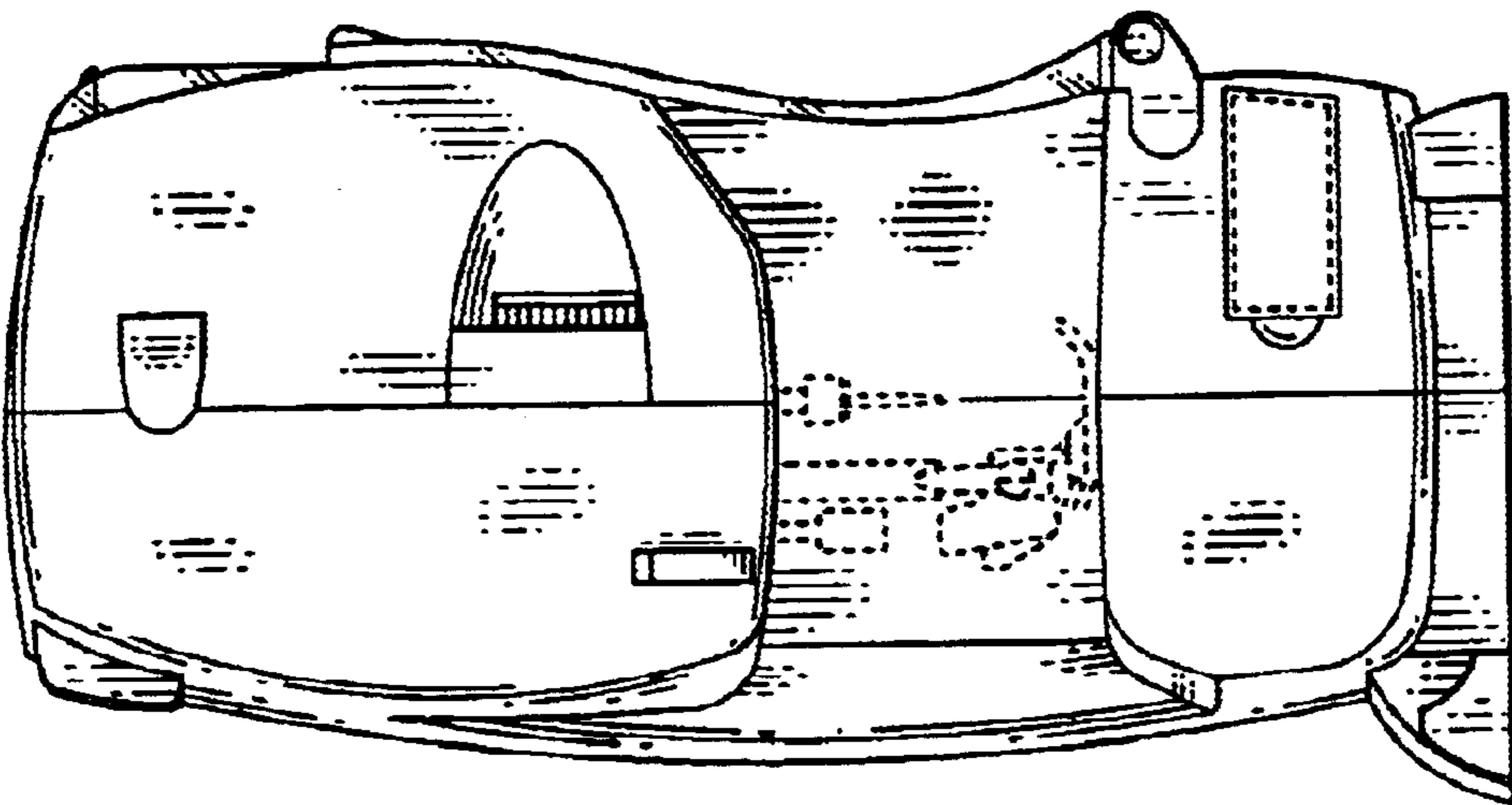


Fig. 6

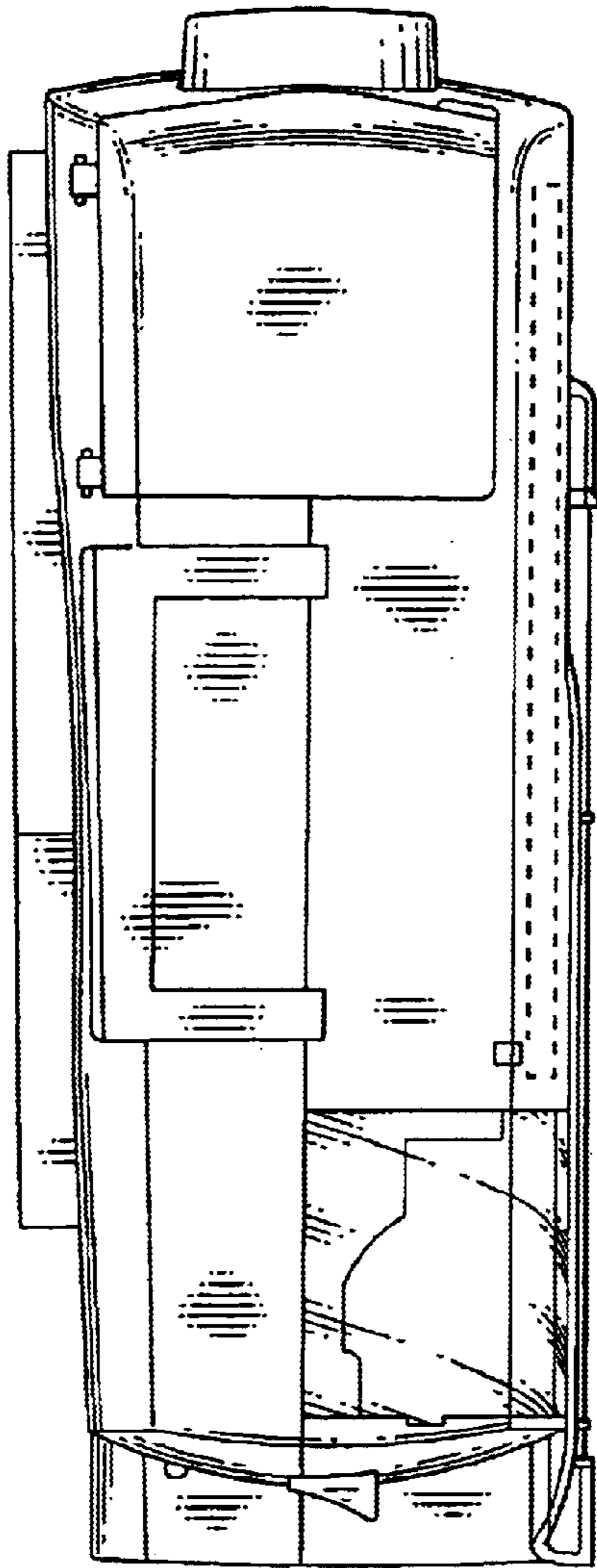


Fig. 8

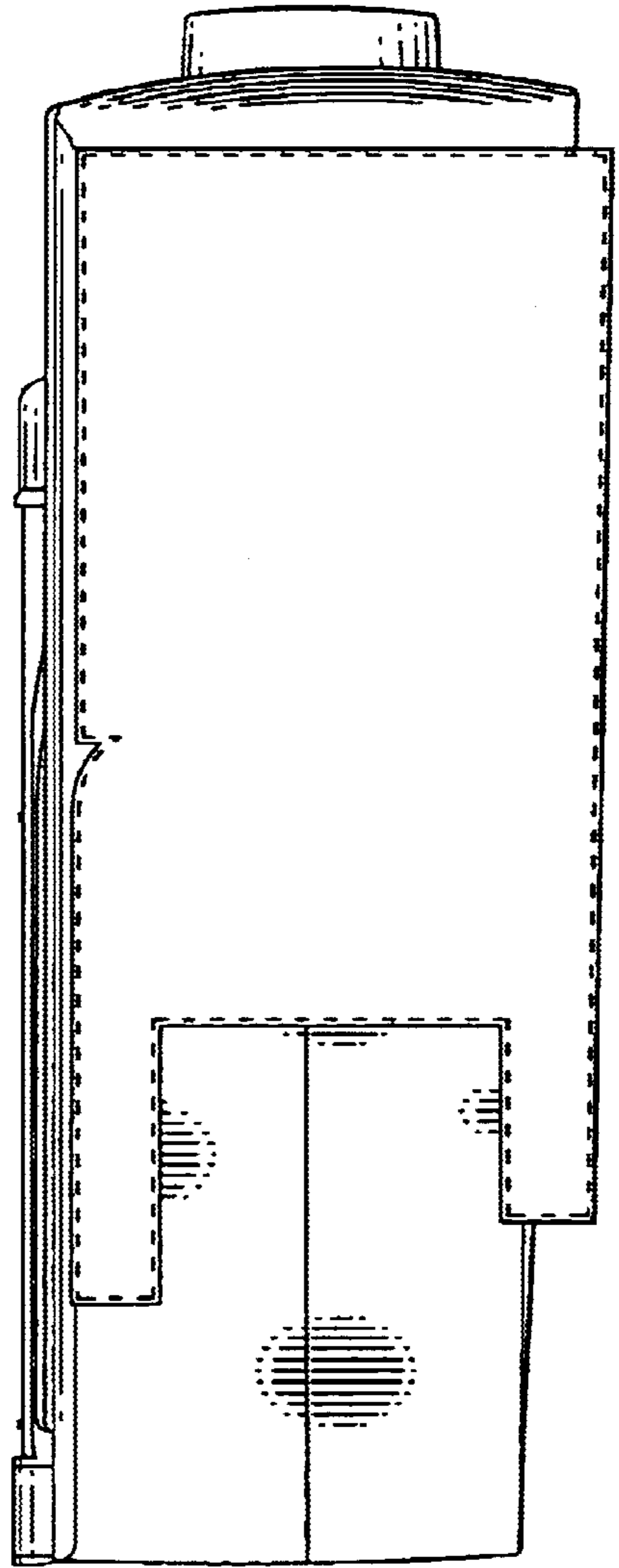


Fig. 9