



US00D490820S

(12) **United States Design Patent**
Schoemneyr

(10) **Patent No.:** **US D490,820 S**

(45) **Date of Patent:** **** Jun. 1, 2004**

(54) **MOUNT FOR A PUMP ASSEMBLY**

D375,961 S * 11/1996 Kotlarek et al. D15/7

(75) **Inventor:** **Ivar L. Schoemneyr**, San Juan
Capistrano, CA (US)

* cited by examiner

Primary Examiner—Ralf Seifert

(73) **Assignee:** **Aquatec Water Systems, Inc.**, Irvine,
CA (US)

(74) *Attorney, Agent, or Firm*—Irell & Manella LLP

(**) **Term:** **14 Years**

(57) **CLAIM**

The ornamental design for a mount for a pump assembly, as shown and described.

(21) **Appl. No.:** **29/179,013**

(22) **Filed:** **Apr. 2, 2003**

DESCRIPTION

(51) **LOC (7) Cl.** **15-02**

(52) **U.S. Cl.** **D15/7**

(58) **Field of Search** D15/5, 7-9; 92/224,
92/229; 417/360-363, 424; D8/373

FIG. 1 is a top front perspective view of a mount for a pump assembly;

FIG. 2 is a bottom front perspective view of the mount for a pump assembly;

FIG. 3 is a top plane view of the mount for a pump assembly;

FIG. 4 is a right side elevational view of the mount for a pump assembly;

FIG. 5 is a front end elevational view of the mount for a pump assembly;

FIG. 6 is a bottom plane view of the mount for a pump assembly; and,

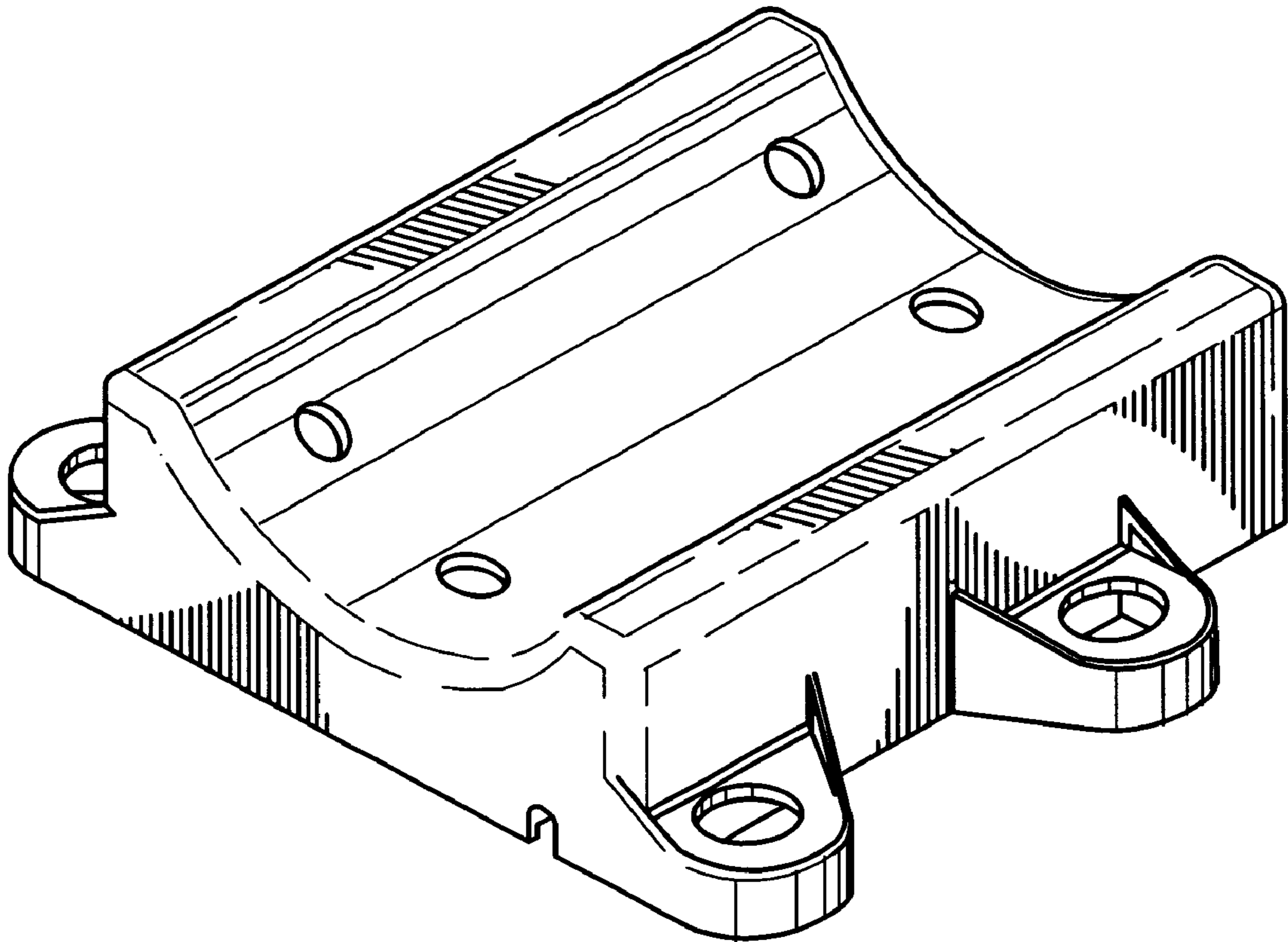
FIG. 7 is a rear end elevational view of the mount for a pump assembly.

(56) **References Cited**

U.S. PATENT DOCUMENTS

D238,963 S	*	2/1976	Vinci	D15/9
D261,654 S	*	11/1981	Feuling	D15/5
D283,896 S	*	5/1986	Evans et al.	D15/5
D296,075 S	*	6/1988	Jones	D8/373
D322,790 S	*	12/1991	Bekius	D15/7
D331,240 S	*	11/1992	Winn	D15/7
D357,923 S	*	5/1995	Peterson et al.	D15/9.1

1 Claim, 3 Drawing Sheets



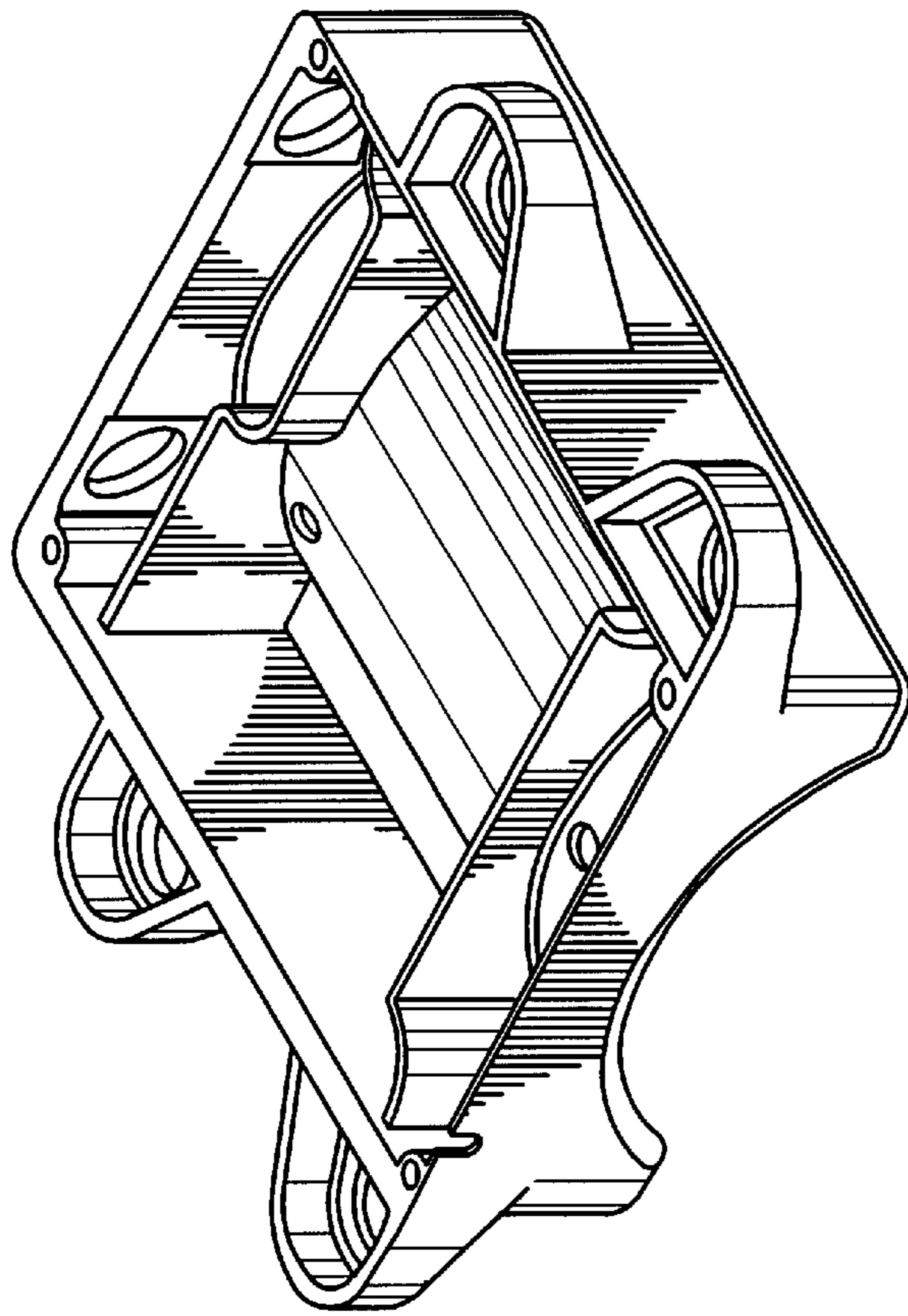


FIG. 1

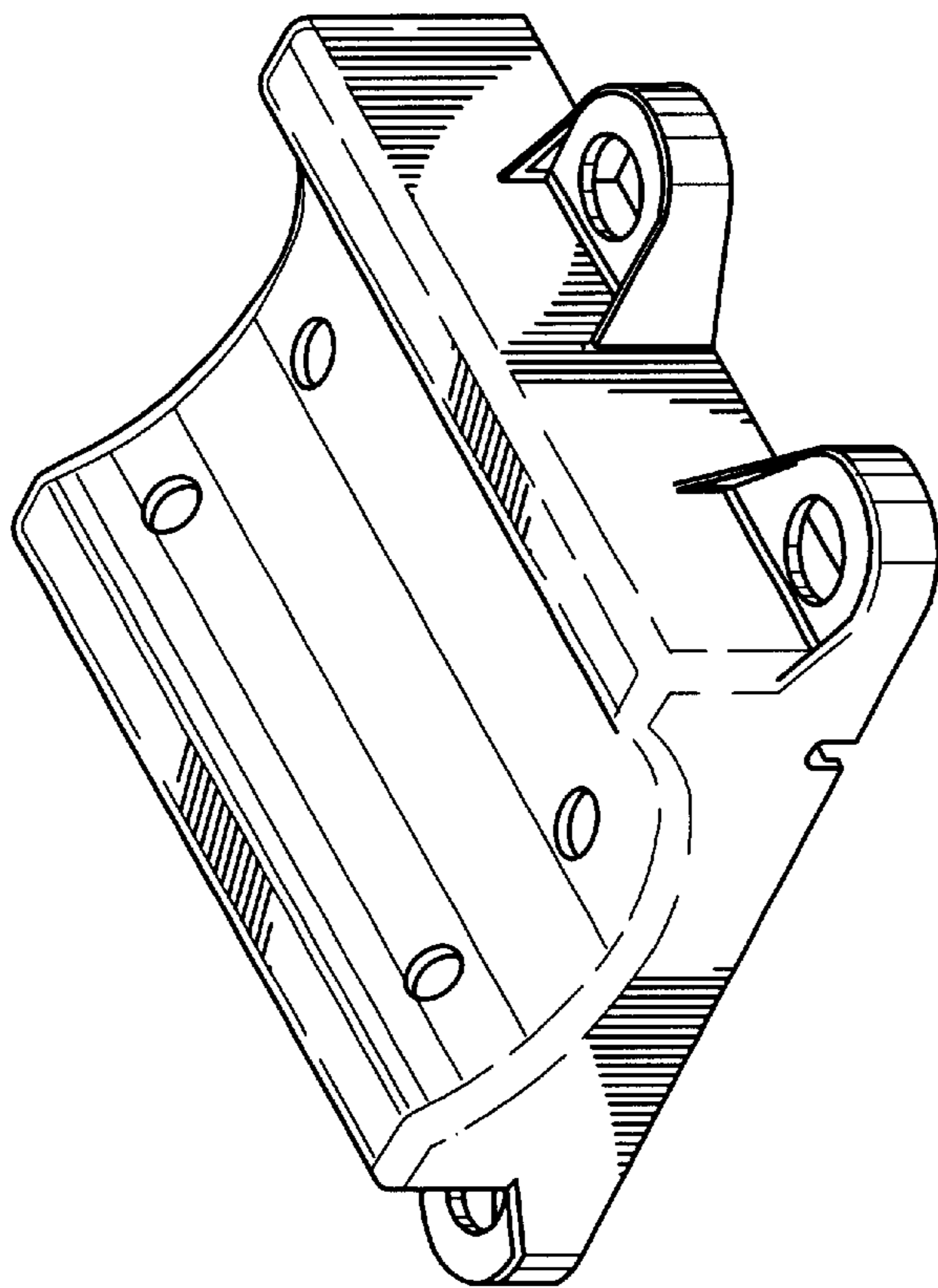


FIG. 2

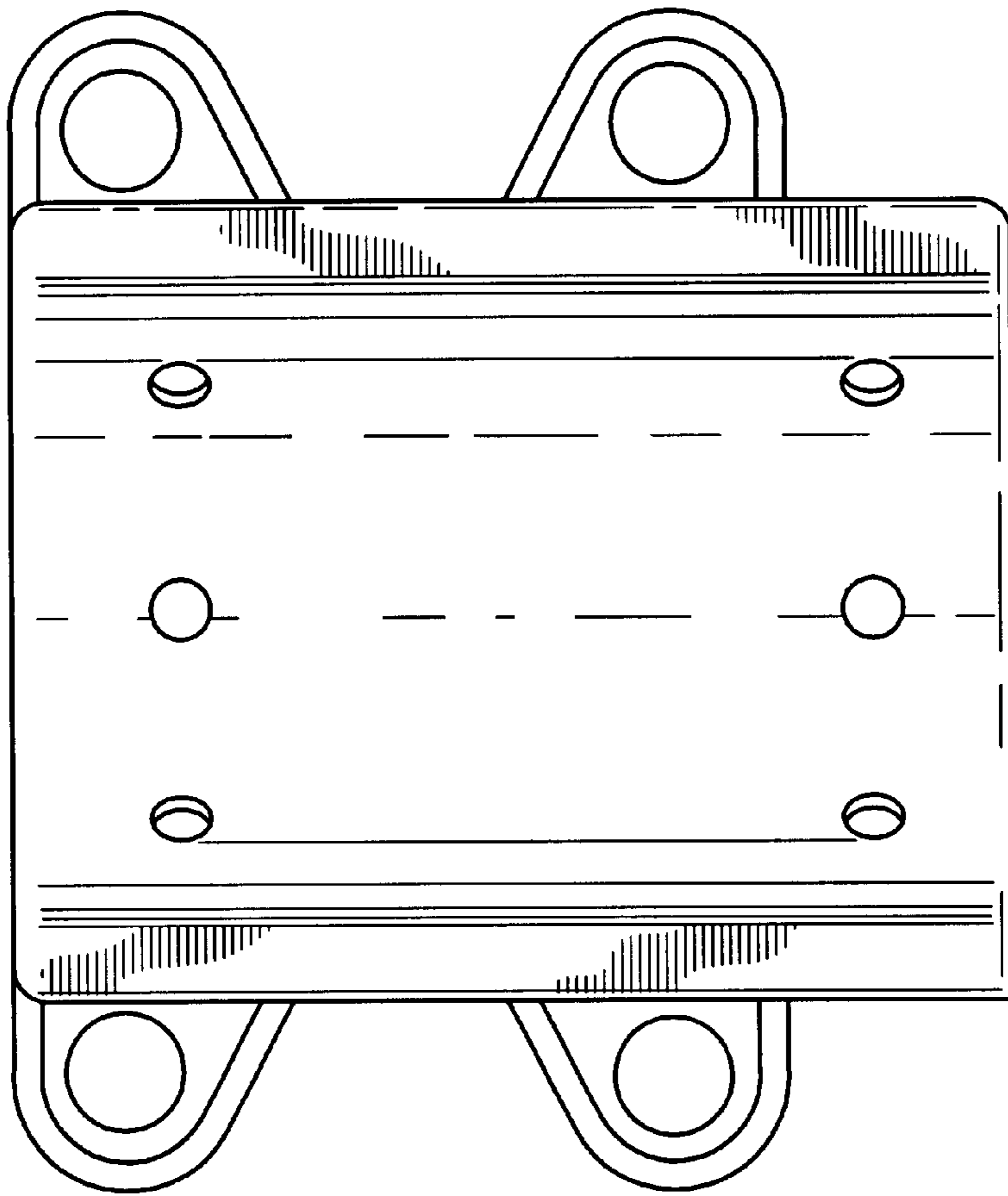


FIG. 3

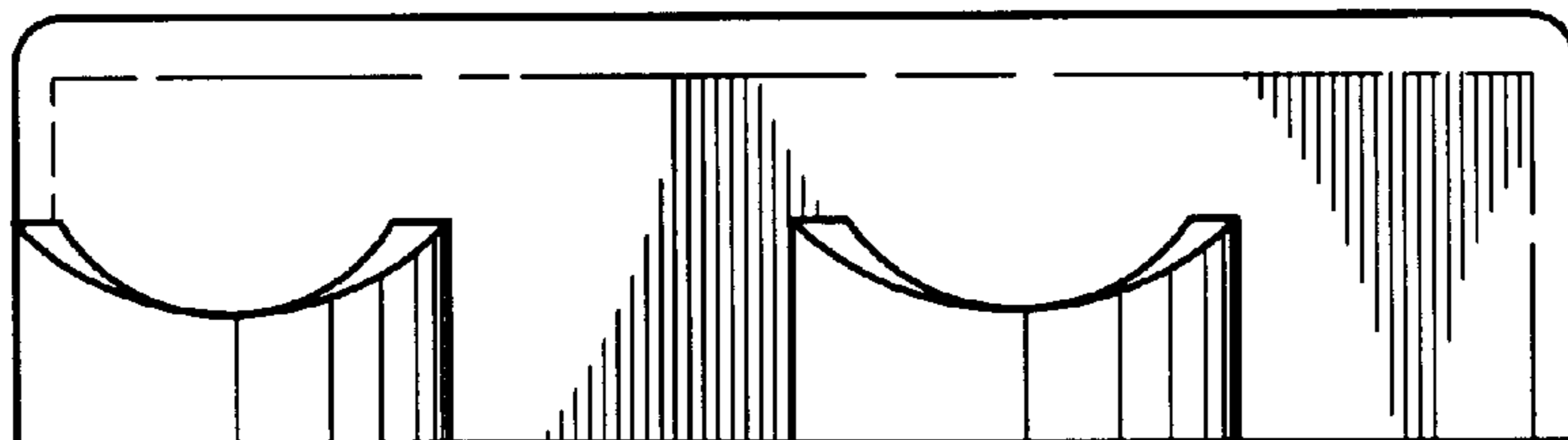


FIG. 4

FIG. 5

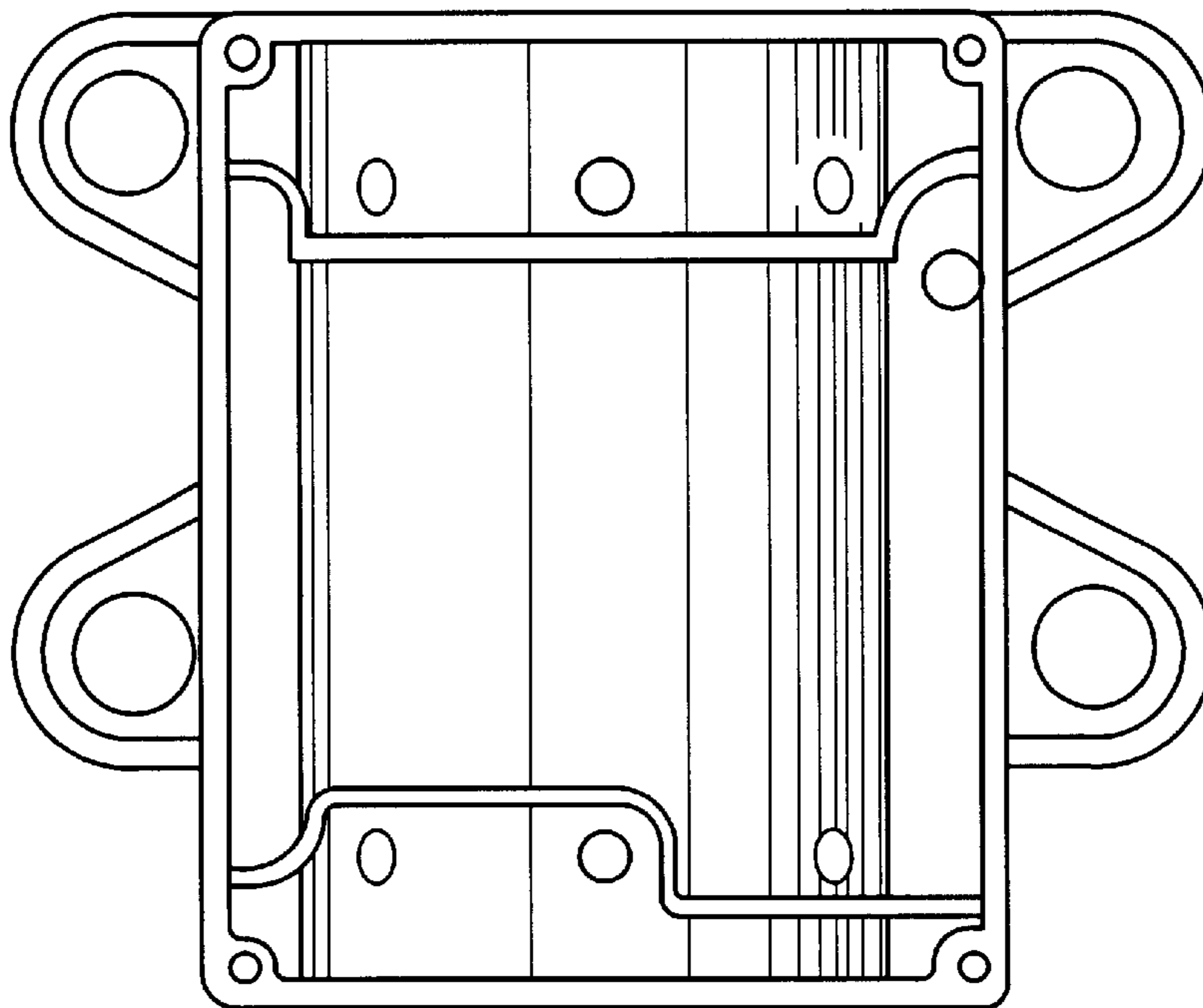
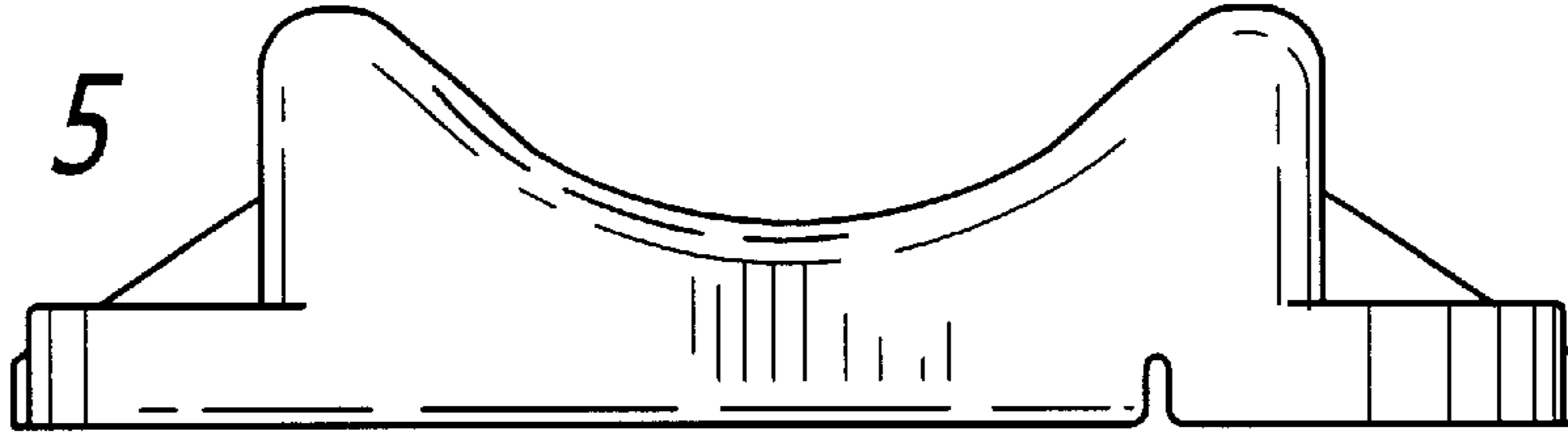


FIG. 6

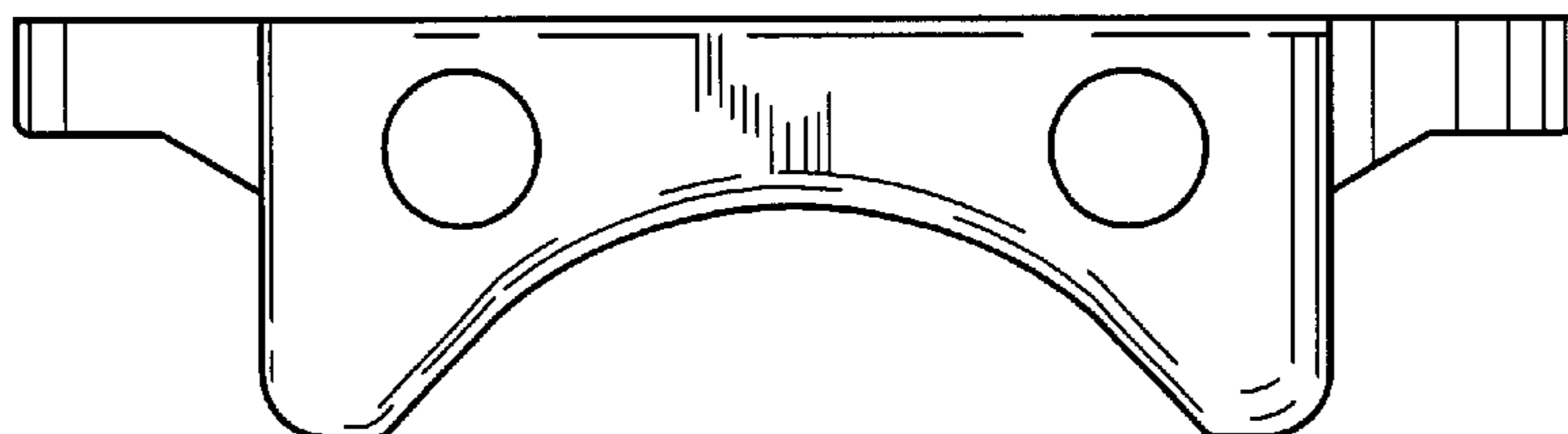


FIG. 7