



US00D490819S

(12) **United States Design Patent**
Wahlberg

(10) **Patent No.:** **US D490,819 S**

(45) **Date of Patent:** **** Jun. 1, 2004**

(54) **ADAPTOR PLATE**

(75) Inventor: **Arne Wahlberg**, Eskilstuna (SE)

(73) Assignee: **Nike Hydraulics AB**, Eskilstuna (SE)

(**) Term: **14 Years**

(21) Appl. No.: **29/167,562**

(22) Filed: **Sep. 17, 2002**

(30) **Foreign Application Priority Data**

Mar. 20, 2002 (SE) 02-0506

(51) **LOC (7) Cl.** **15-02**

(52) **U.S. Cl.** **D15/7**

(58) **Field of Search** D15/7-9; 417/68,
417/69, 415, 419, 229, 234, 321, 410, 411,
447.7; 74/606 R; D10/65

(56) **References Cited**

U.S. PATENT DOCUMENTS

- D27,078 S * 5/1897 Cahill et al. D15/9
- 2,314,281 A * 3/1943 Knott 417/447.7
- D205,691 S * 9/1966 Ruliffson D15/7
- D223,686 S * 5/1972 Sadler et al. D15/7
- D258,508 S * 3/1981 Serrambana D15/7
- D351,603 S * 10/1994 Ikeda et al. D15/9
- D353,600 S * 12/1994 Glass D15/7

- D356,573 S * 3/1995 Makino D15/7
- D372,034 S * 7/1996 Handzel et al. D15/7
- D372,251 S * 7/1996 Bohncke D15/7
- D382,881 S * 8/1997 Hoglund et al. D15/7
- D384,674 S * 10/1997 Grolle et al. D15/7
- D443,281 S * 6/2001 Sodergard D15/7

* cited by examiner

Primary Examiner—Ralf Seifert

(74) *Attorney, Agent, or Firm*—Marshall A. Lerner, Esq.;
Finn T. Simmenssen, Esq.; Kleinberg & Lerner, LLP

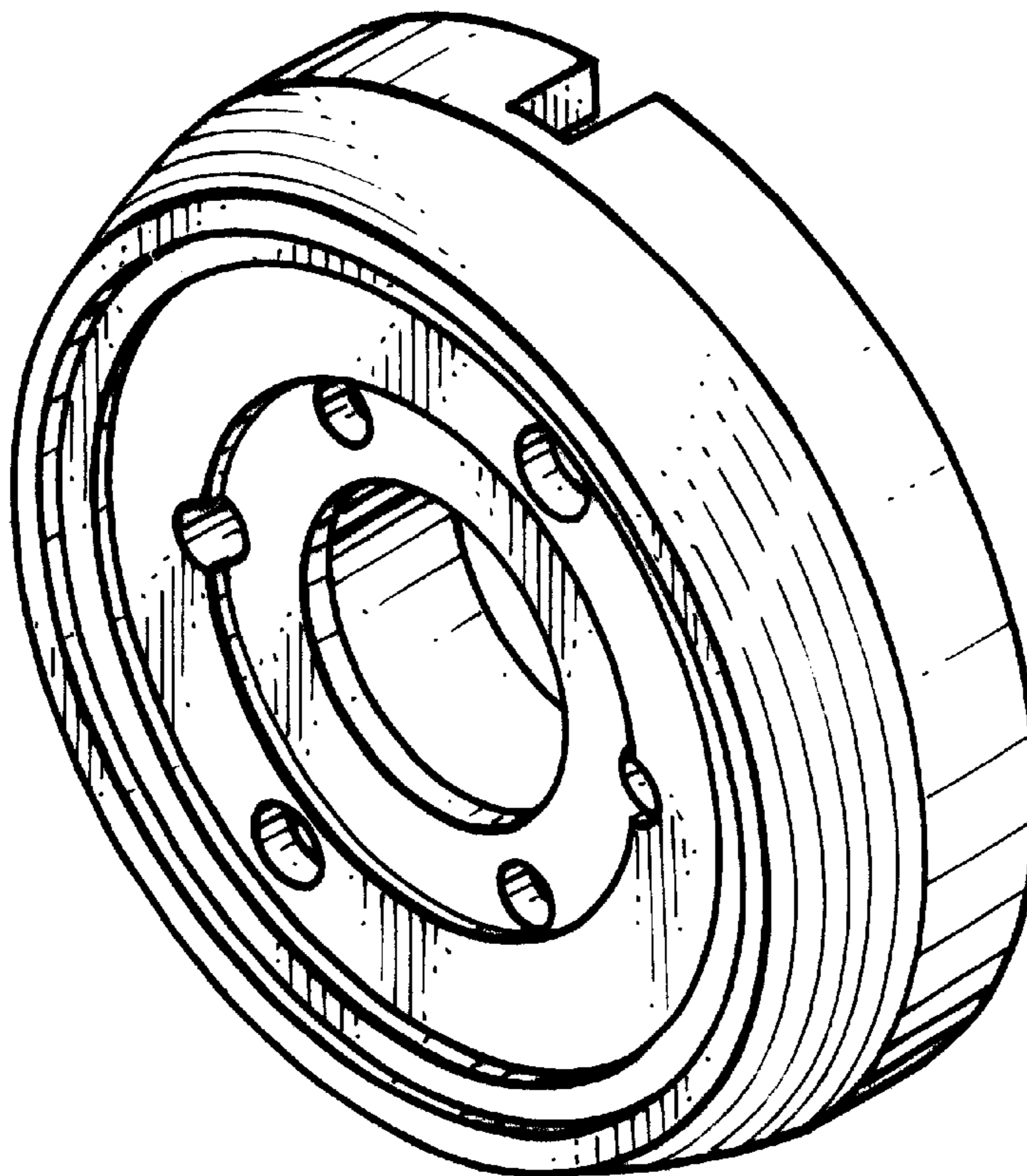
(57) **CLAIM**

The ornamental design for an adaptor plate, as shown and described.

DESCRIPTION

FIG. 1 is a perspective view of my adaptor plate;
 FIG. 2 is a perspective view in the opposite orientation from that shown in FIG. 1;
 FIG. 3 is a top plan view of the adaptor plate;
 FIG. 4 is a side elevational view of the adaptor plate;
 FIG. 5 is a side elevational view 180° apart from the view shown in FIG. 4;
 FIG. 6 is a bottom plan view of the adaptor plate;
 FIG. 7 is a side elevational view of the adaptor plate; and,
 FIG. 8 is a side elevational view of the adaptor plate 180° from the view shown in FIG. 7.

1 Claim, 2 Drawing Sheets



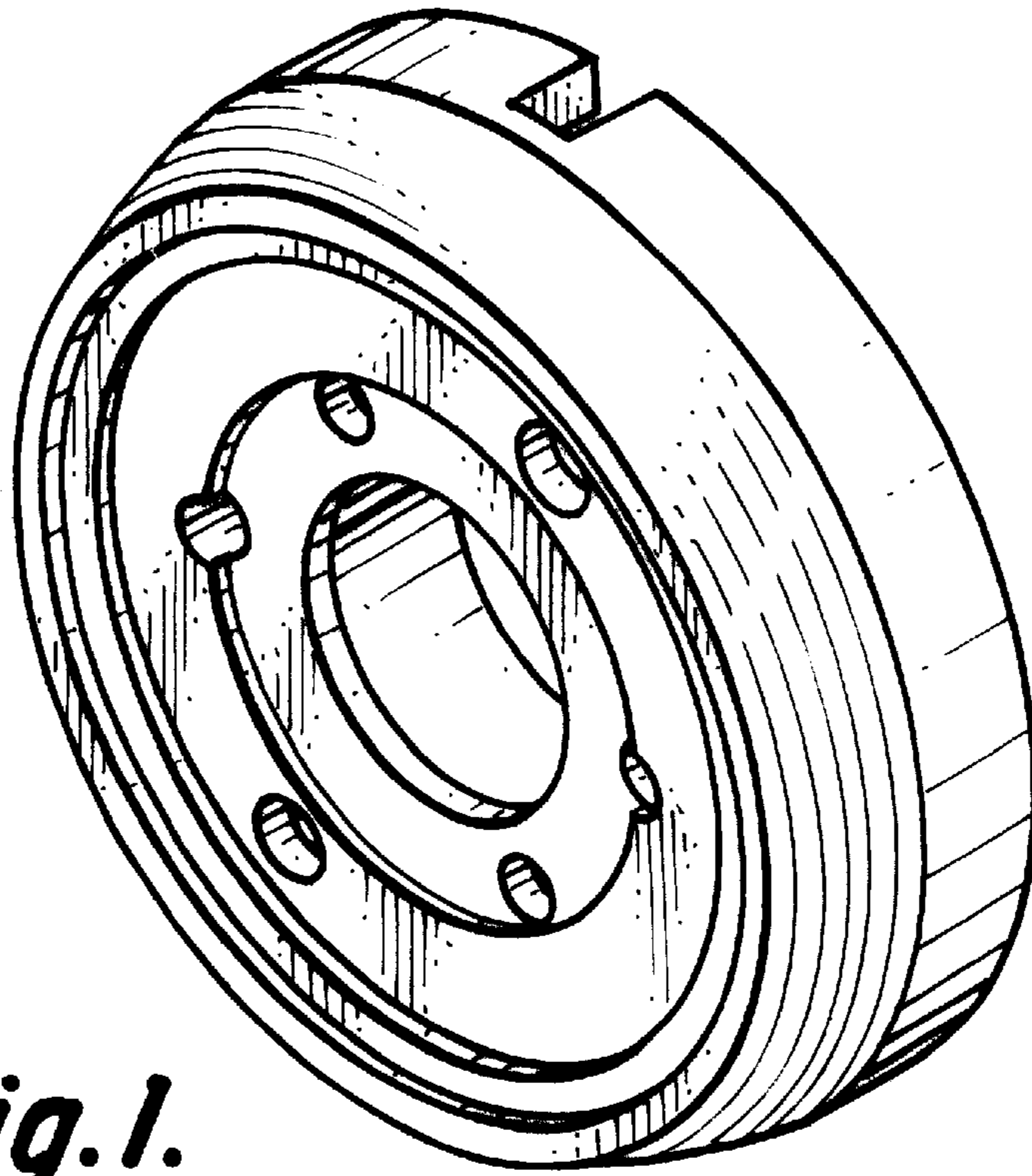


Fig. 1.

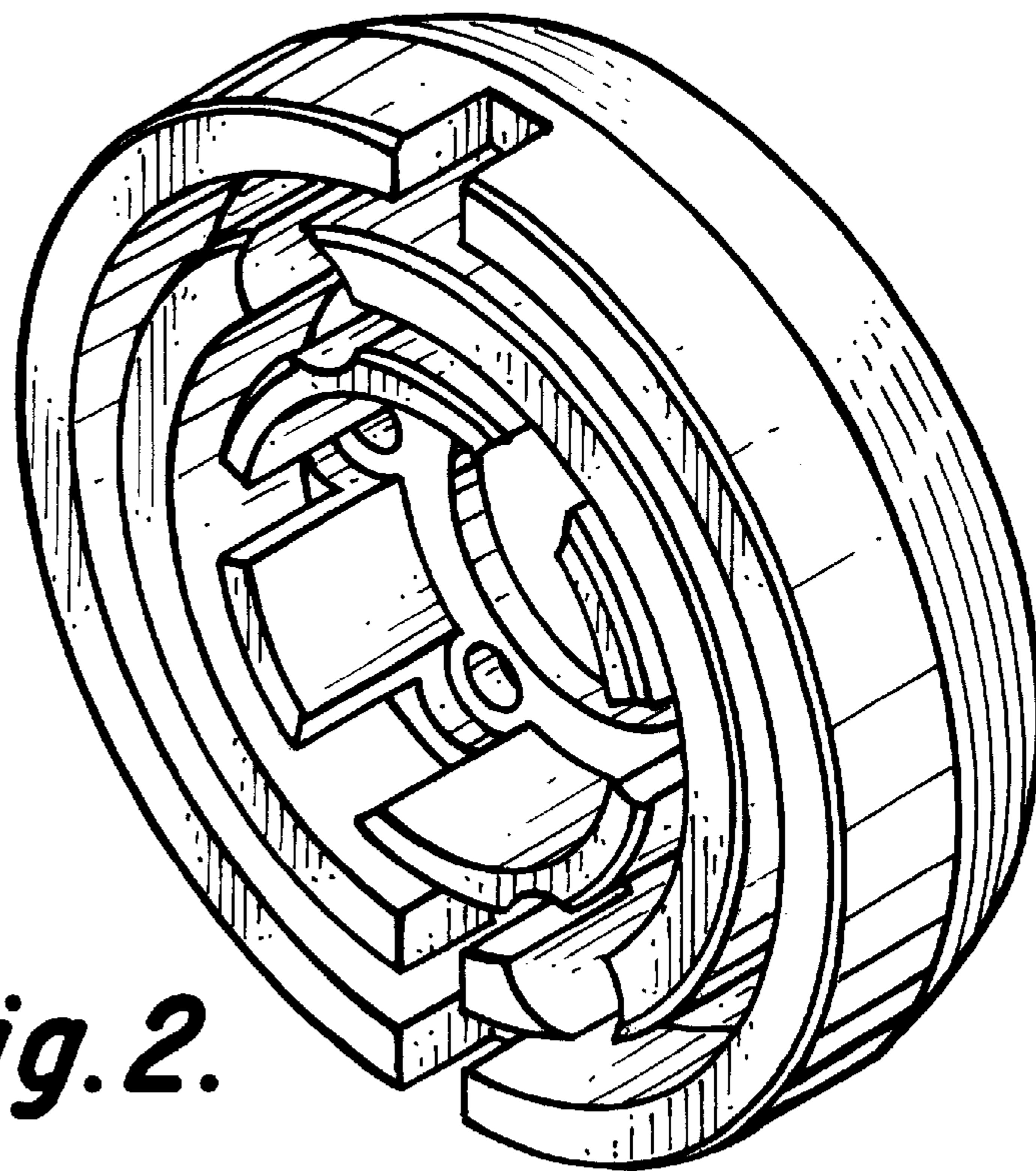


Fig. 2.

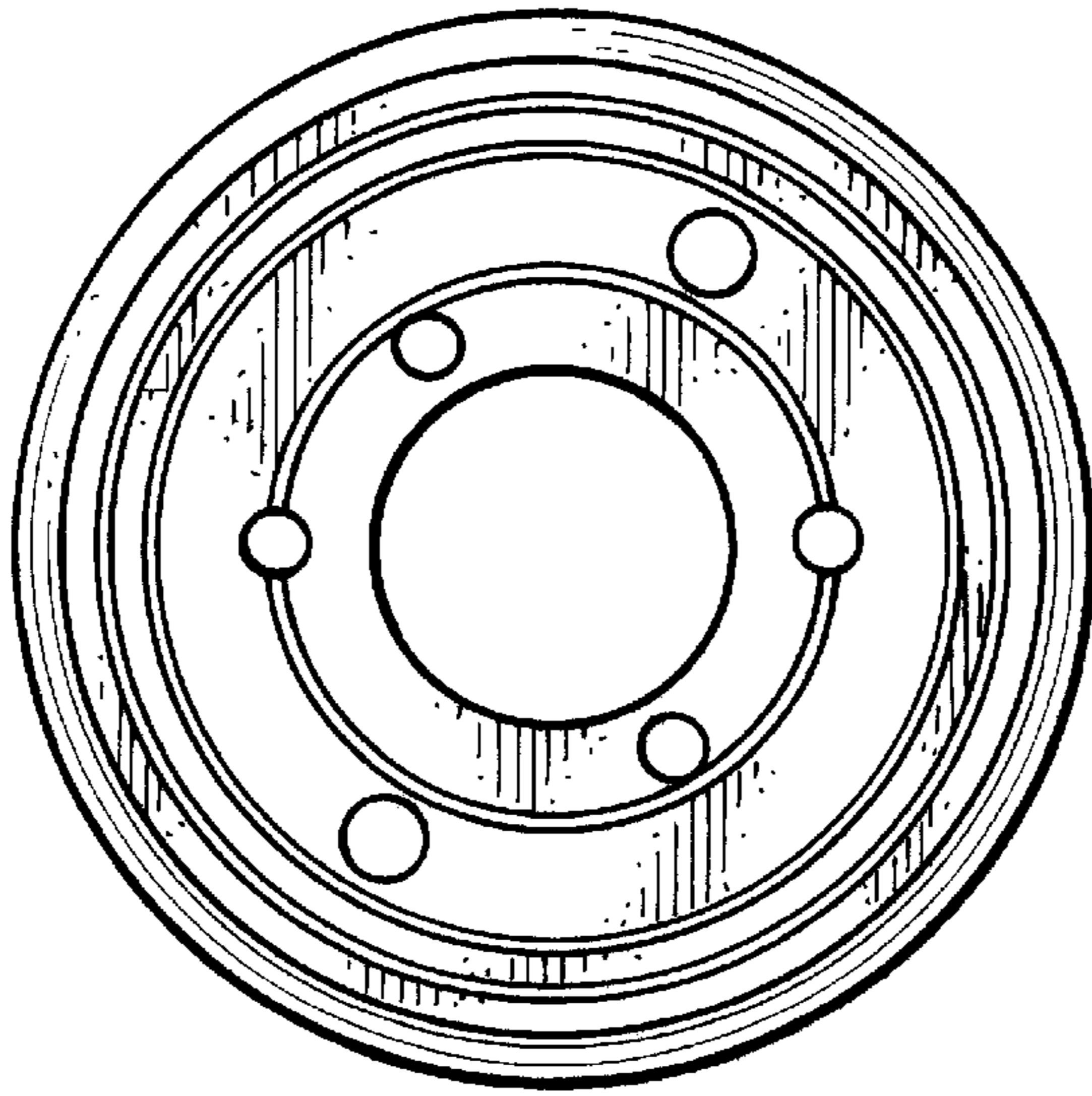


Fig. 3.

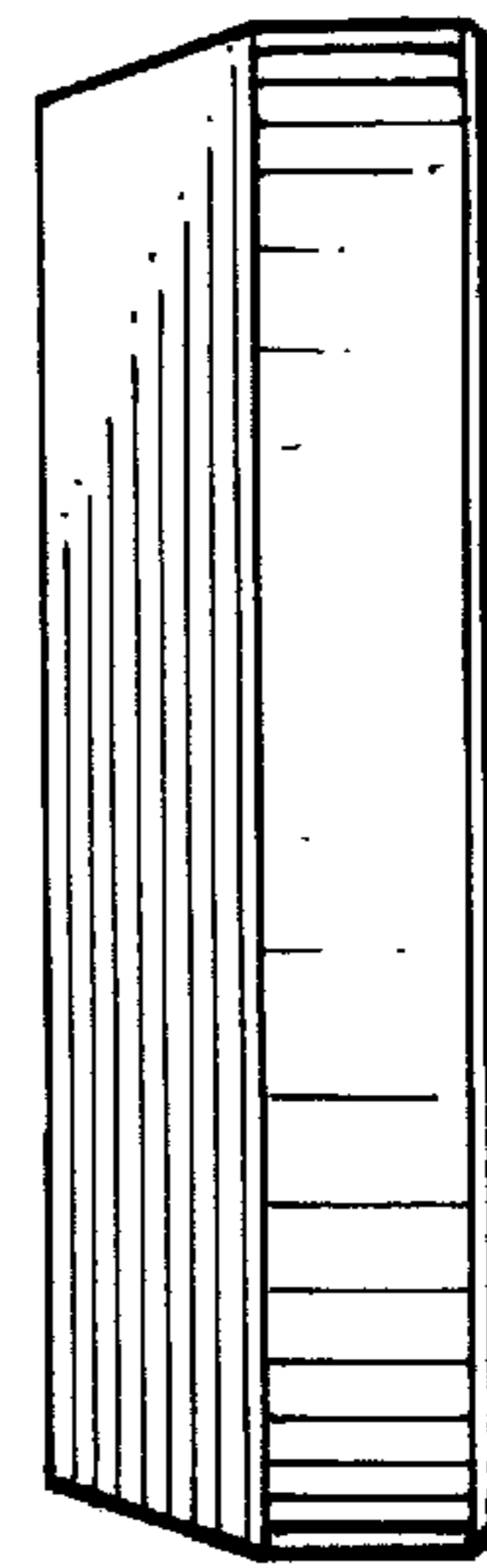


Fig. 4.

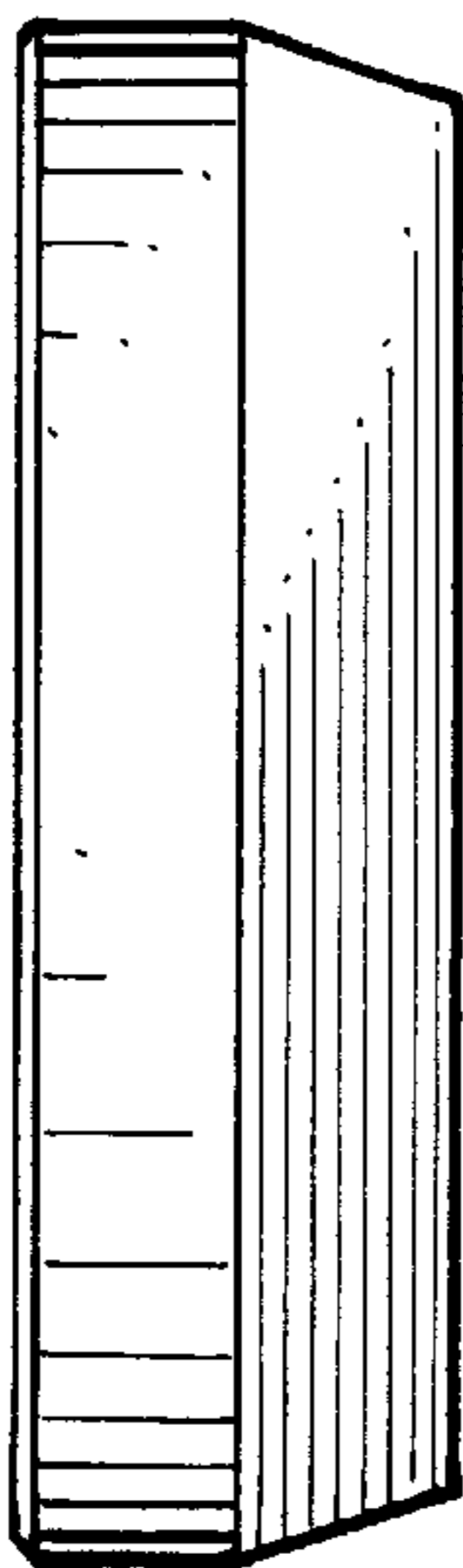


Fig. 5.

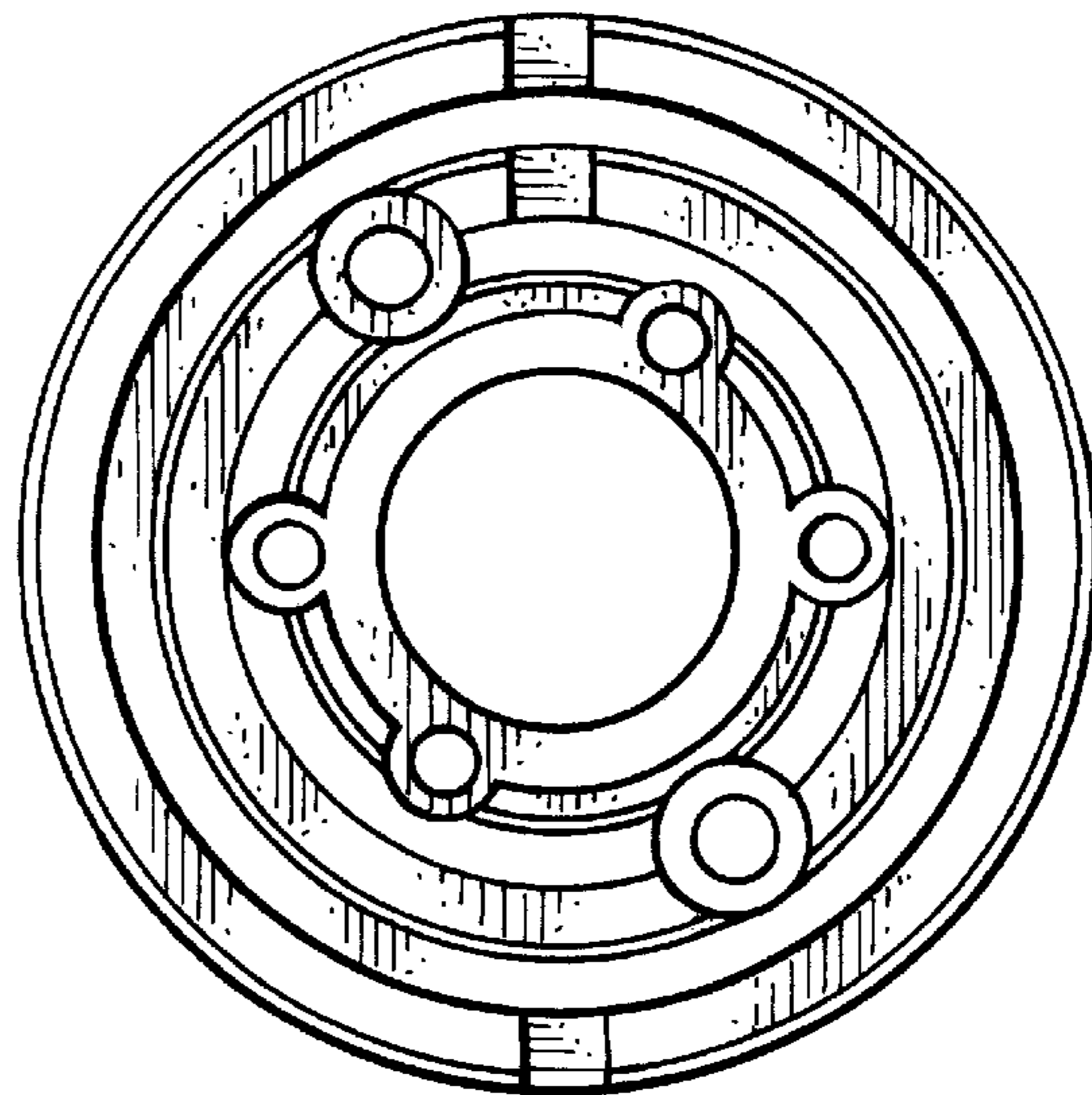


Fig. 6.

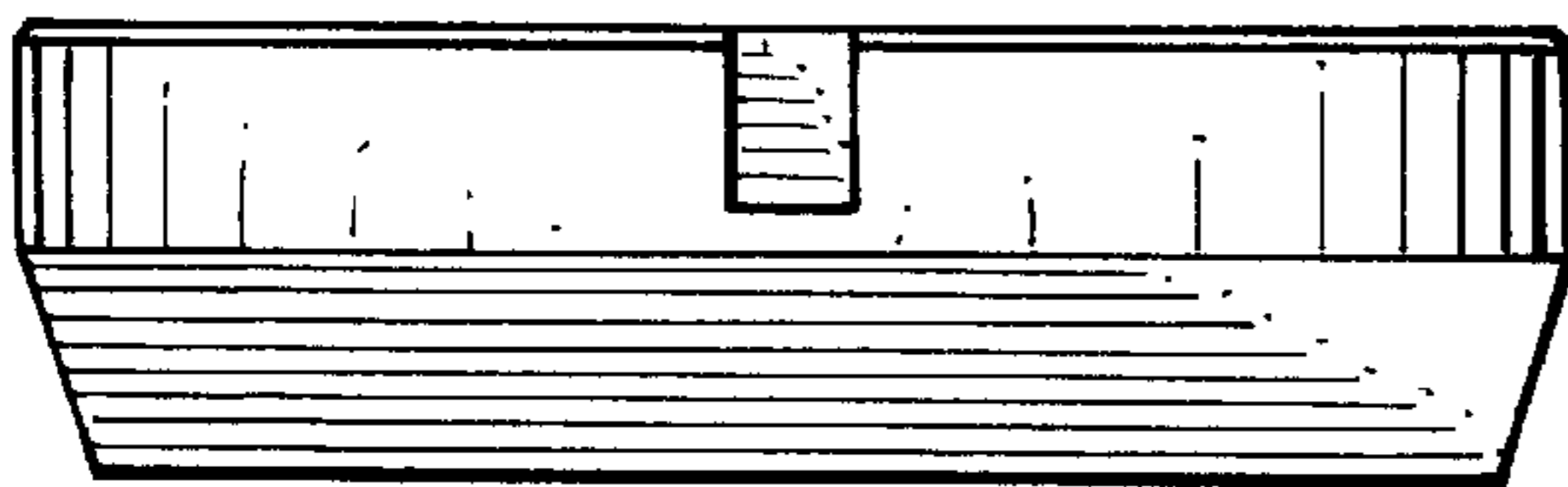


Fig. 7.

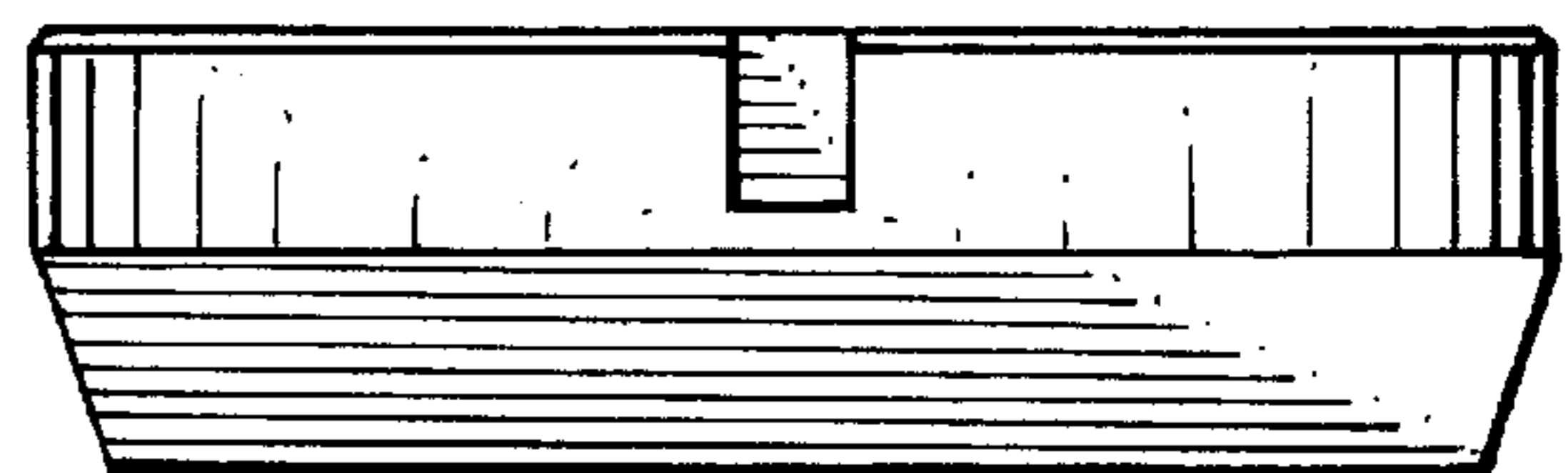


Fig. 8.