



US00D490815S

(12) **United States Design Patent**
Tosh et al.

(10) **Patent No.:** **US D490,815 S**

(45) **Date of Patent:** **** Jun. 1, 2004**

(54) **COMPUTER SYSTEM**

(75) Inventors: **Andrew P. Tosh**, Arlington, MA (US);
Christopher H. Frank, San Jose, CA (US); **Edward J. Cornelius, III**, San Francisco, CA (US); **James Mark Stanton**, San Jose, CA (US); **June Lee**, San Francisco, CA (US)

(73) Assignee: **Sun Microsystems, Inc.**, Santa Clara, CA (US)

(**) Term: **14 Years**

(21) Appl. No.: **29/176,853**

(22) Filed: **Feb. 28, 2003**

(51) **LOC (7) Cl.** **14-01**

(52) **U.S. Cl.** **D14/445**

(58) **Field of Search** D14/300-313,
D14/348-356, 441, 444, 445; 312/223.2;
361/683, 684, 687, 690, 695, 724-730,
796

(56) **References Cited**

U.S. PATENT DOCUMENTS

D374,216 S 10/1996 Paul
5,691,879 A 11/1997 Lopez et al.
6,076,142 A 6/2000 Corrington et al.

6,219,235 B1 4/2001 Diaz et al.
D456,019 S 4/2002 Frank et al.
6,381,130 B1 4/2002 Yen
D460,963 S 7/2002 Mautz et al.
D466,124 S * 11/2002 Lee et al. D14/445
D469,778 S * 2/2003 Mautz et al. D14/445
D474,186 S 5/2003 Frank et al.
6,565,163 B2 * 5/2003 Behl et al. 312/223.1
D476,324 S * 6/2003 Tosh et al. D14/301
2002/0166020 A1 11/2002 Irving et al.

* cited by examiner

Primary Examiner—Joel Sincavage

(74) *Attorney, Agent, or Firm*—Lawrence J. Merkel; Meyertons, Hood, Kivlin, Kowert & Goetzel, P.C.

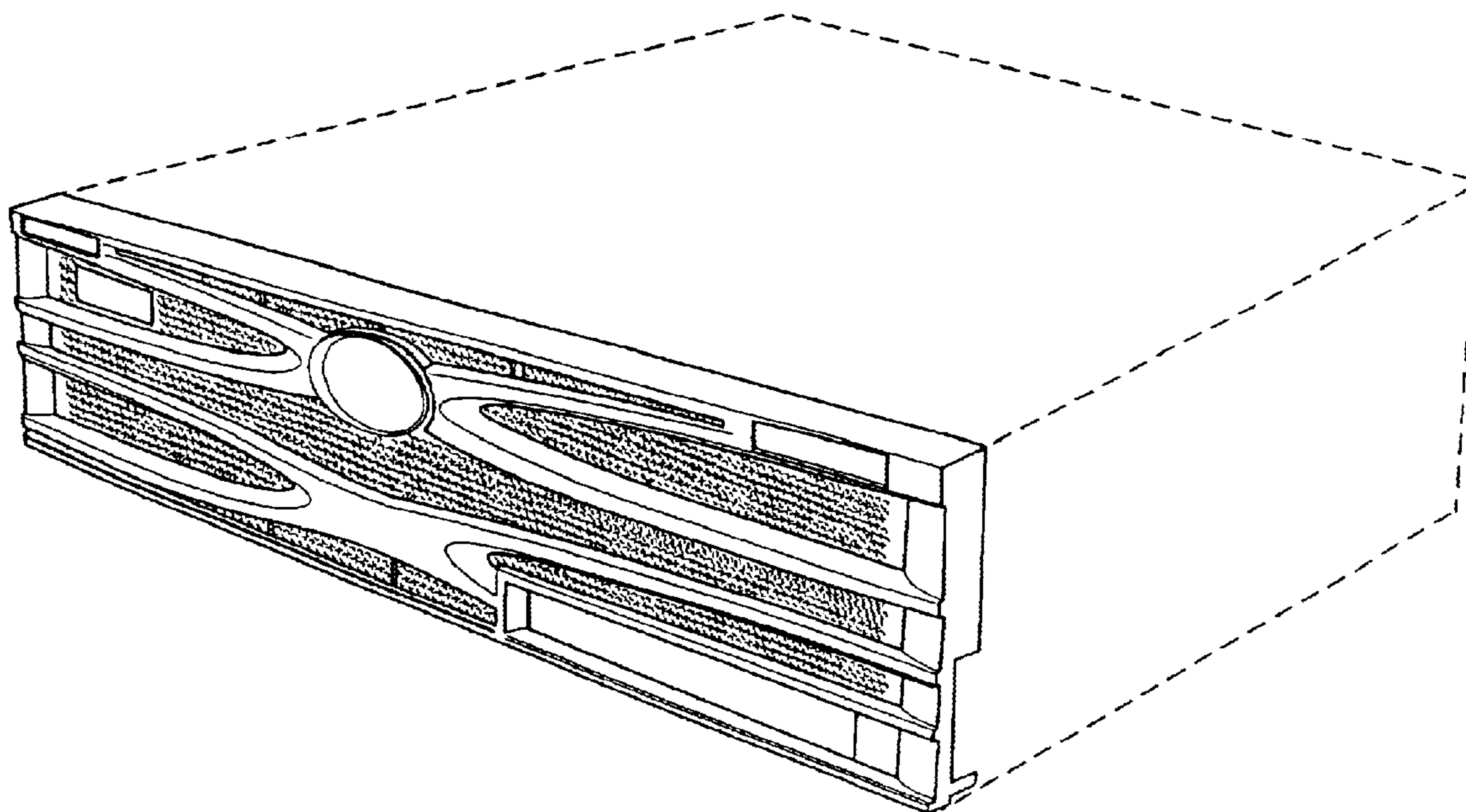
(57) **CLAIM**

The ornamental design for a computer system, as shown and described.

DESCRIPTION

FIG. 1 is a front perspective view of a computer system; FIG. 2 is a top view of a computer system; FIG. 3 is a front view of a computer system; and, FIG. 4 is a bottom view of a computer system. The broken lines throughout the drawings are included for the purpose of illustrating portions of the system that form no part of the claimed design.

1 Claim, 2 Drawing Sheets



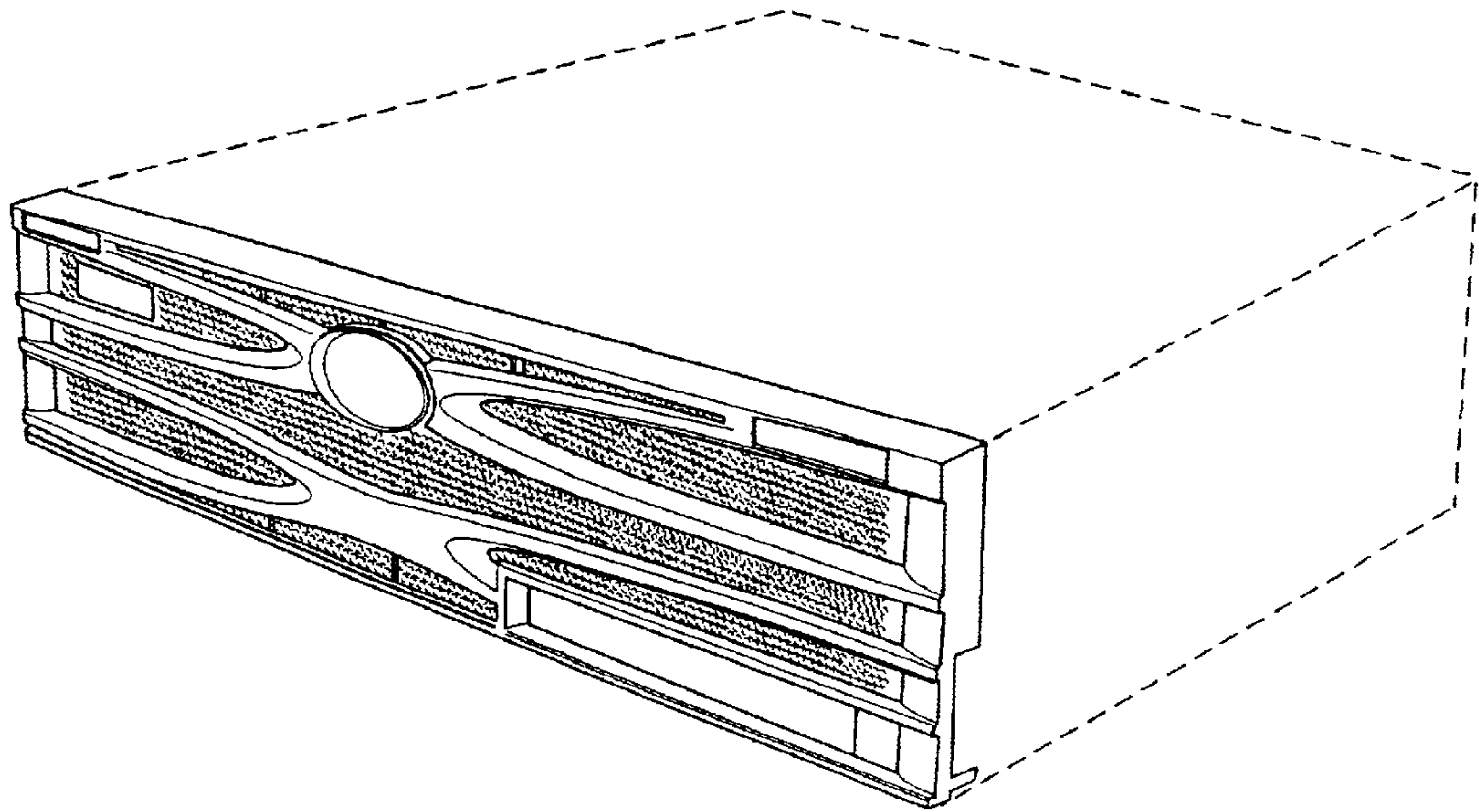


Fig. 1

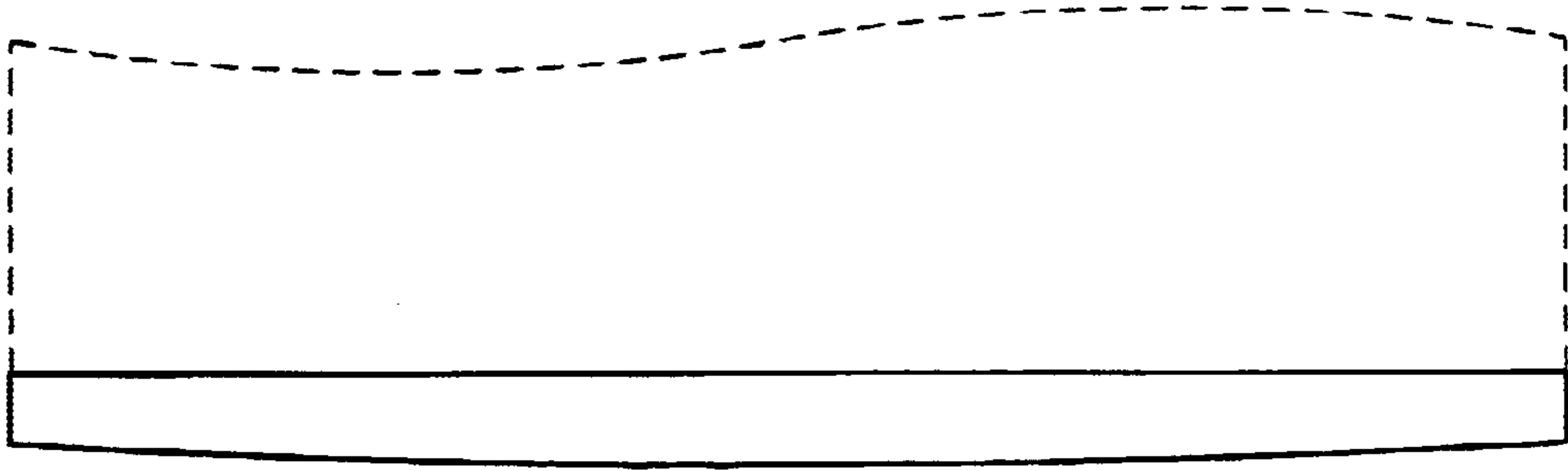


Fig. 2

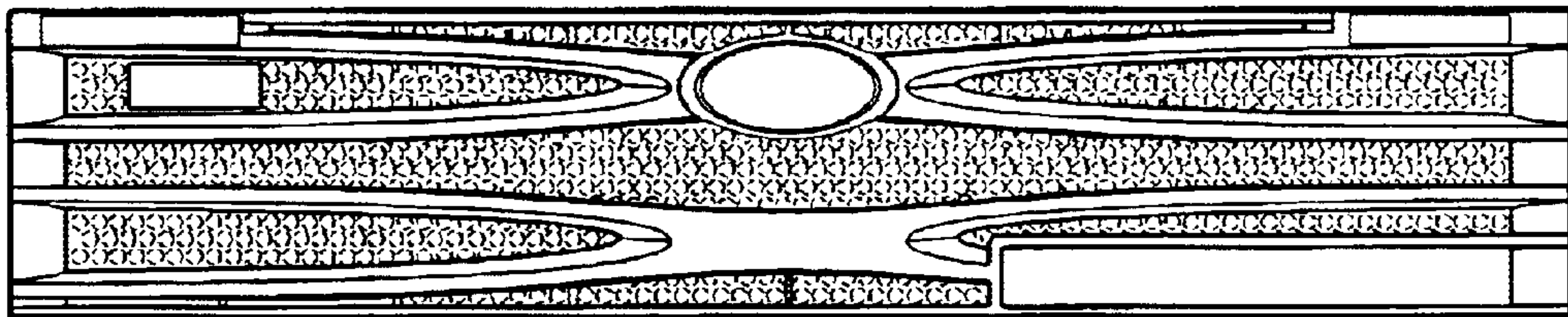


Fig. 3

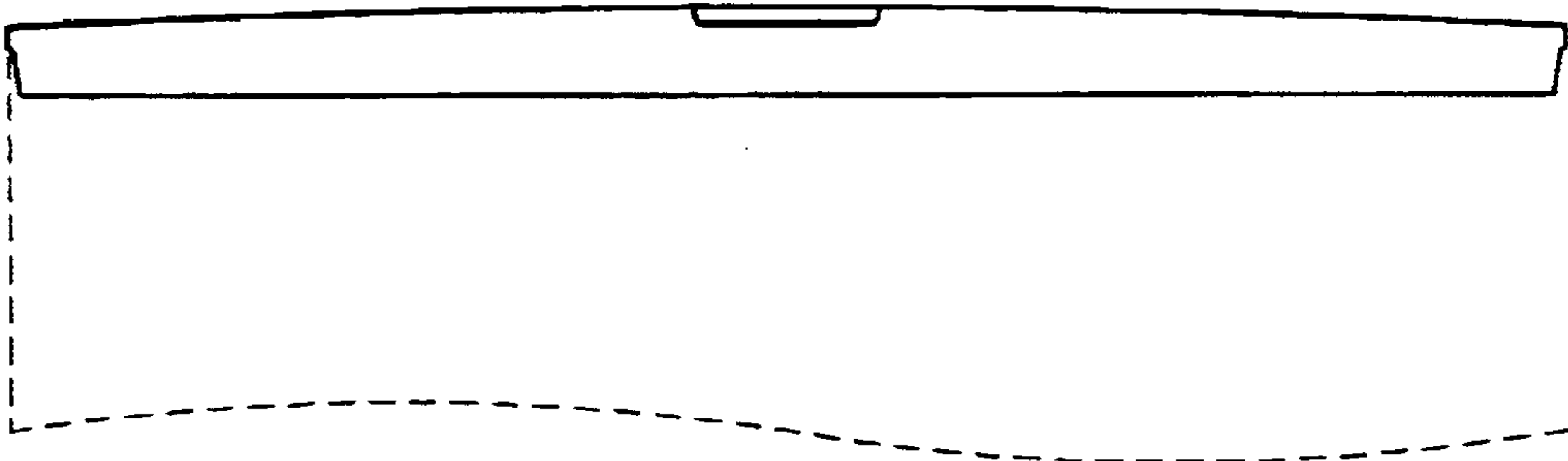


Fig. 4