



US00D490812S

(12) **United States Design Patent**
Andre et al.

(10) **Patent No.: US D490,812 S**

(45) **Date of Patent: ** Jun. 1, 2004**

(54) **KEYBOARD**

(75) Inventors: **Bartley K. Andre**, Menlo Park, CA (US); **Daniel J. Coster**, San Francisco, CA (US); **Daniele De Iuliis**, San Francisco, CA (US); **Richard P. Howarth**, San Francisco, CA (US); **Jonathan P. Ive**, San Francisco, CA (US); **Duncan Robert Kerr**, San Francisco, CA (US); **Matthew Dean Rohrbach**, San Francisco, CA (US); **Douglas B. Satzger**, San Carlos, CA (US); **Calvin Q. Seid**, Palo Alto, CA (US); **Christopher J. Stringer**, Pacifica, CA (US); **Eugene Anthony Whang**, San Francisco, CA (US)

(73) Assignee: **Apple Computer, Inc.**, Cupertino, CA (US)

(**) Term: **14 Years**

(21) Appl. No.: **29/180,543**

(22) Filed: **Apr. 25, 2003**

(51) **LOC (7) Cl.** **14-02**

(52) **U.S. Cl.** **D14/392**

(58) **Field of Search** D14/391-394, D14/396, 398, 399; D18/1, 2, 7; 200/5 A, 5 R, 6 A, 6 R; 235/145 A, 145 R; 341/22, 23; 345/160, 168; 400/484-486, 488, 489, 492

(56) **References Cited**

U.S. PATENT DOCUMENTS

D344,724 S * 3/1994 Pangburn D14/392

D347,629 S * 6/1994 Hermann D14/396
5,439,304 A * 8/1995 Phillips et al. 400/492
D420,997 S * 2/2000 Jordan D14/396
D430,875 S * 9/2000 Beecroft D14/392

* cited by examiner

Primary Examiner—Freda S. Nunn
(74) *Attorney, Agent, or Firm*—Beyer Weaver & Thomas, LLP

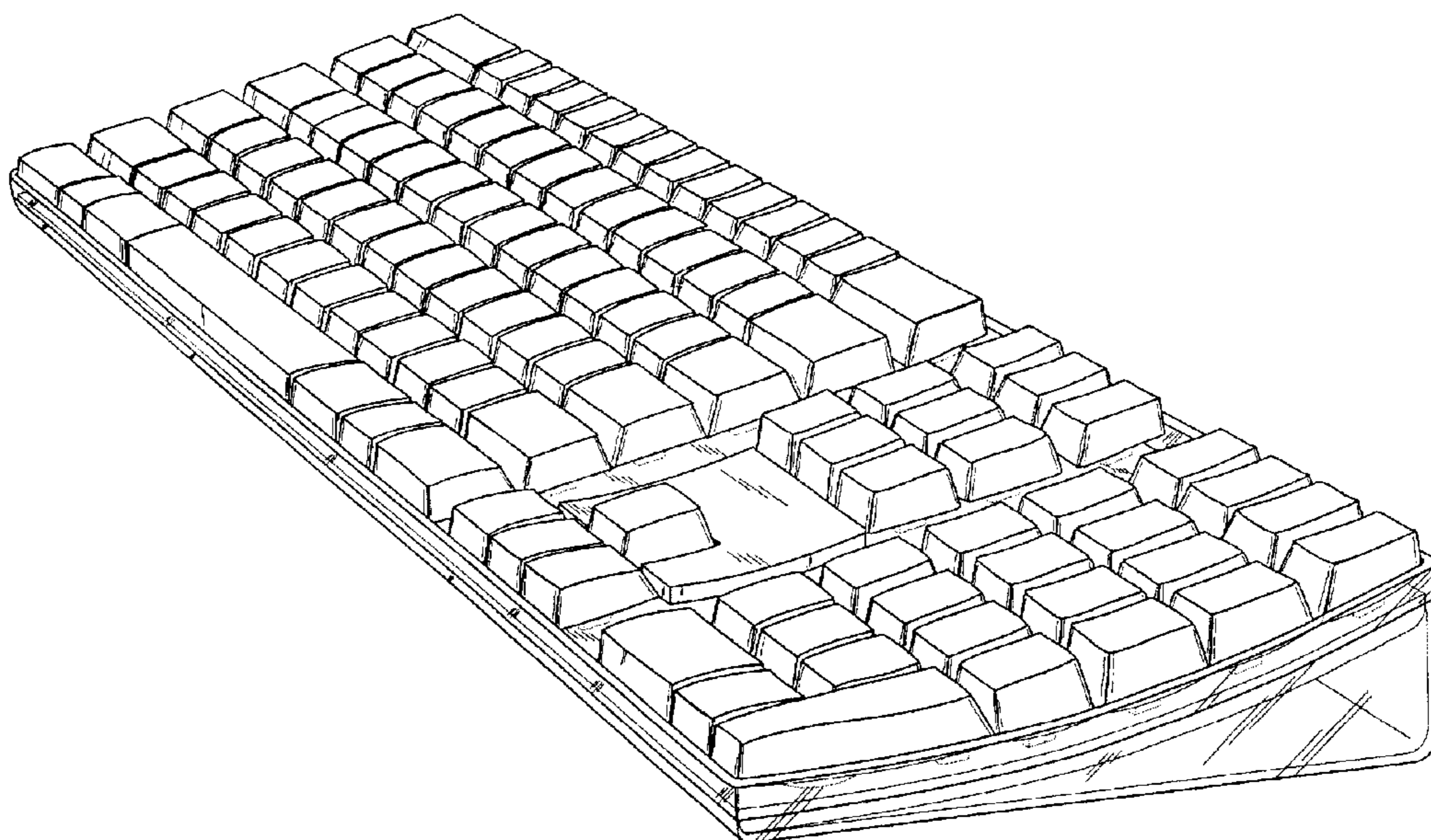
(57) **CLAIM**

We claim the ornamental design for a keyboard, substantially as shown and described.

DESCRIPTION

FIG. 1 is a perspective view of a keyboard in accordance with the present design.
FIG. 2 is a front view for the keyboard.
FIG. 3 is a rear view for the keyboard.
FIG. 4 is a left side view for the keyboard.
FIG. 5 is a right side view for the keyboard.
FIG. 6 is a top view for the keyboard.
FIG. 7 is a bottom view for the keyboard.
FIG. 8 is an alternative rear view for the keyboard.
FIG. 9 is an alternative bottom view for the keyboard.
FIG. 10 is an alternative left side view for the keyboard; and, FIG. 11 is an alternative right side view for the keyboard.
The broken lines are shown in the figures for illustrative purposes only and form no part of the claimed design.

1 Claim, 6 Drawing Sheets



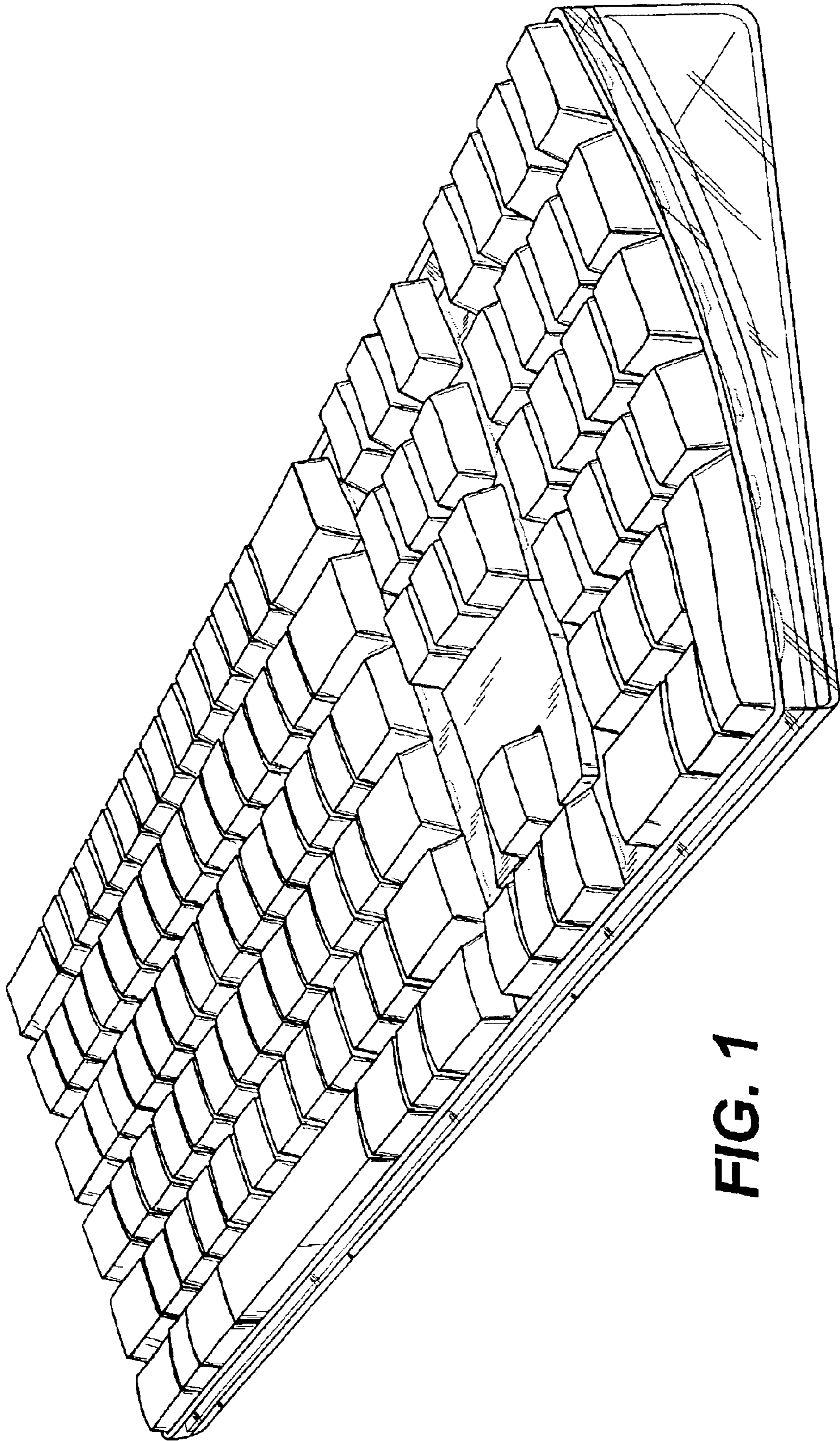


FIG. 1

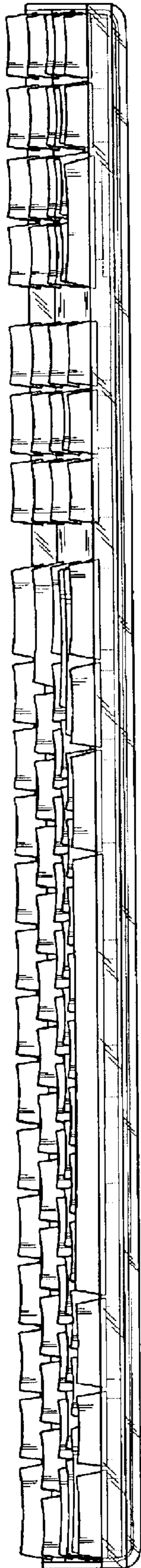


FIG. 2

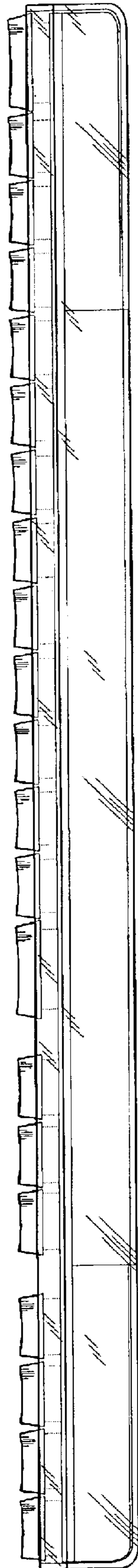


FIG. 3

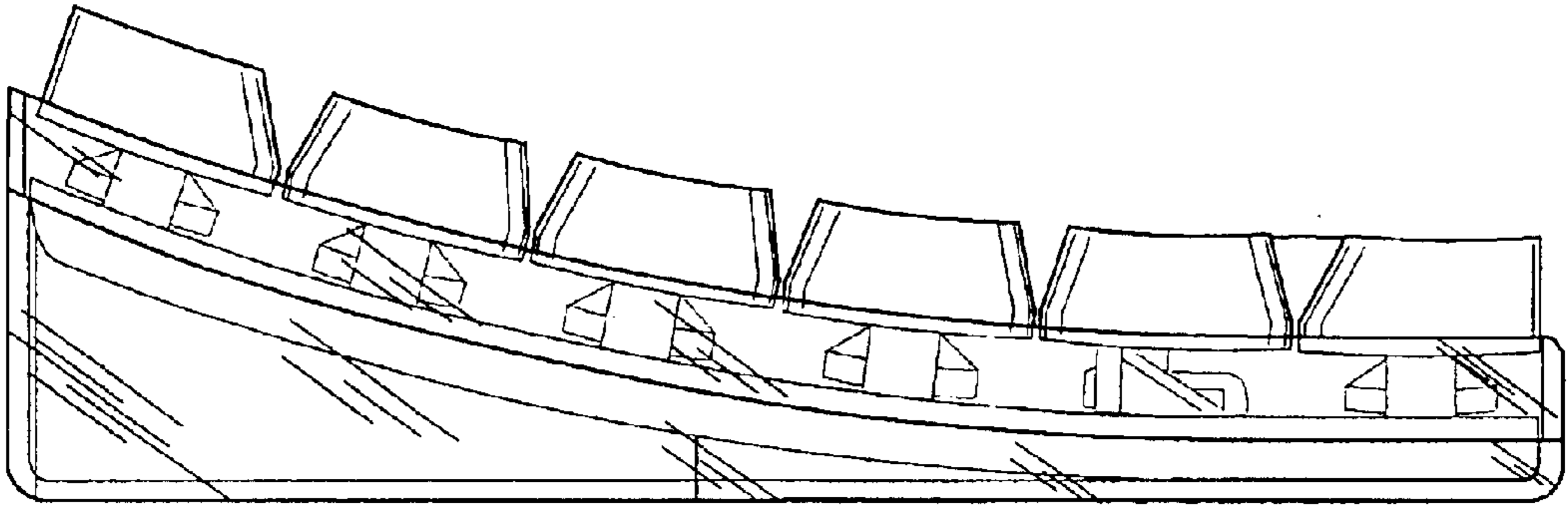


FIG. 4

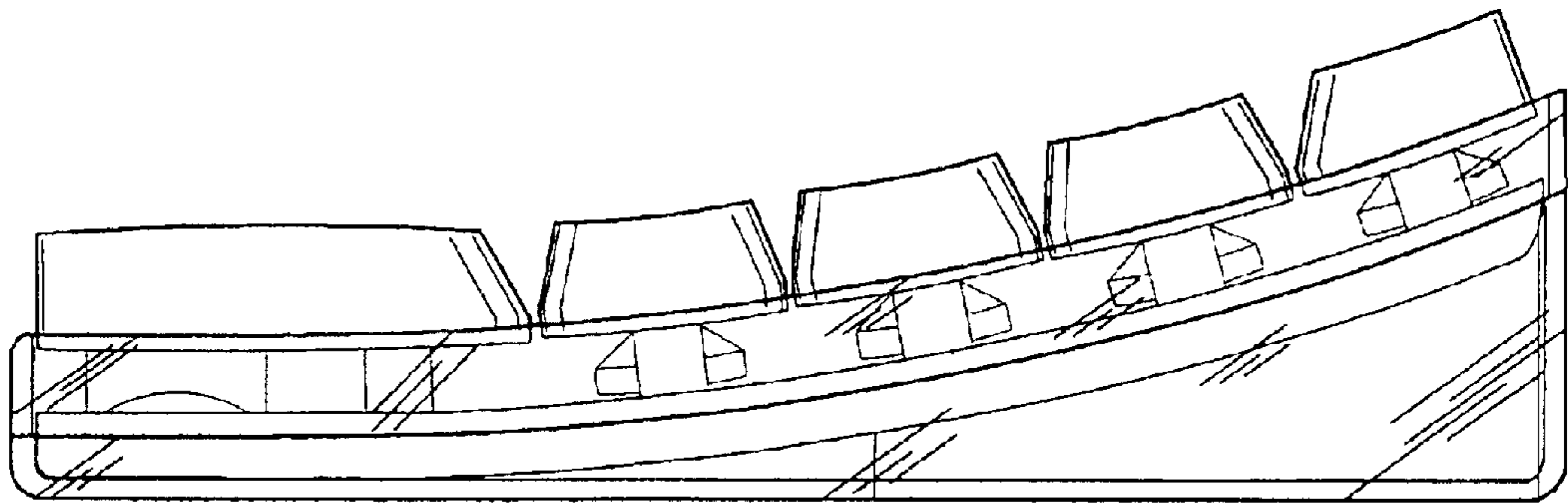


FIG. 5

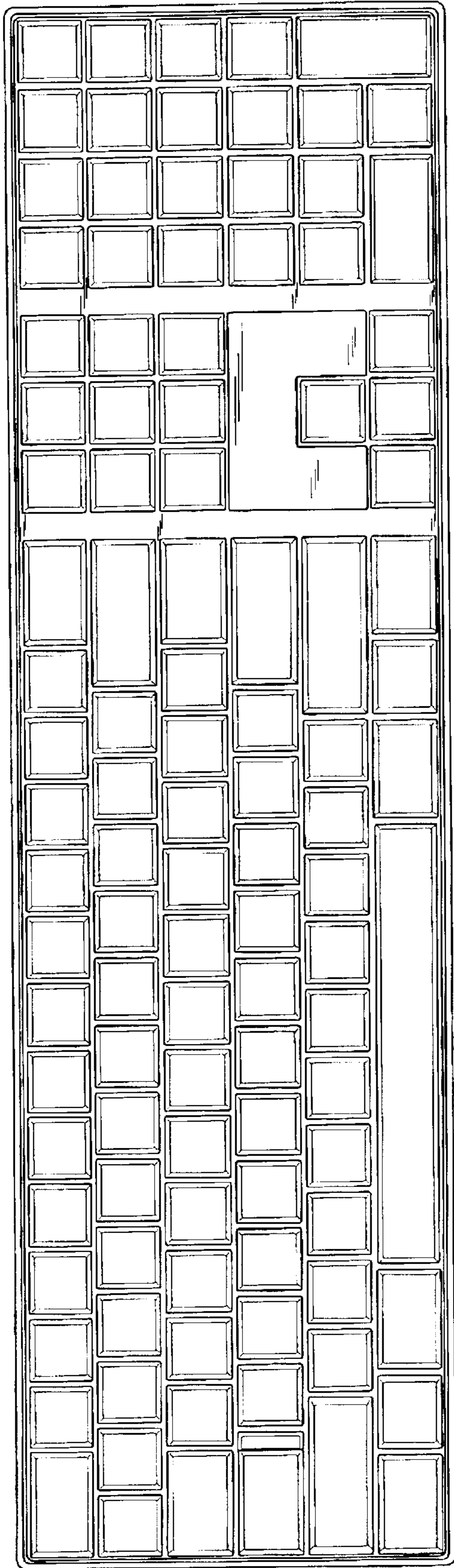


FIG. 6

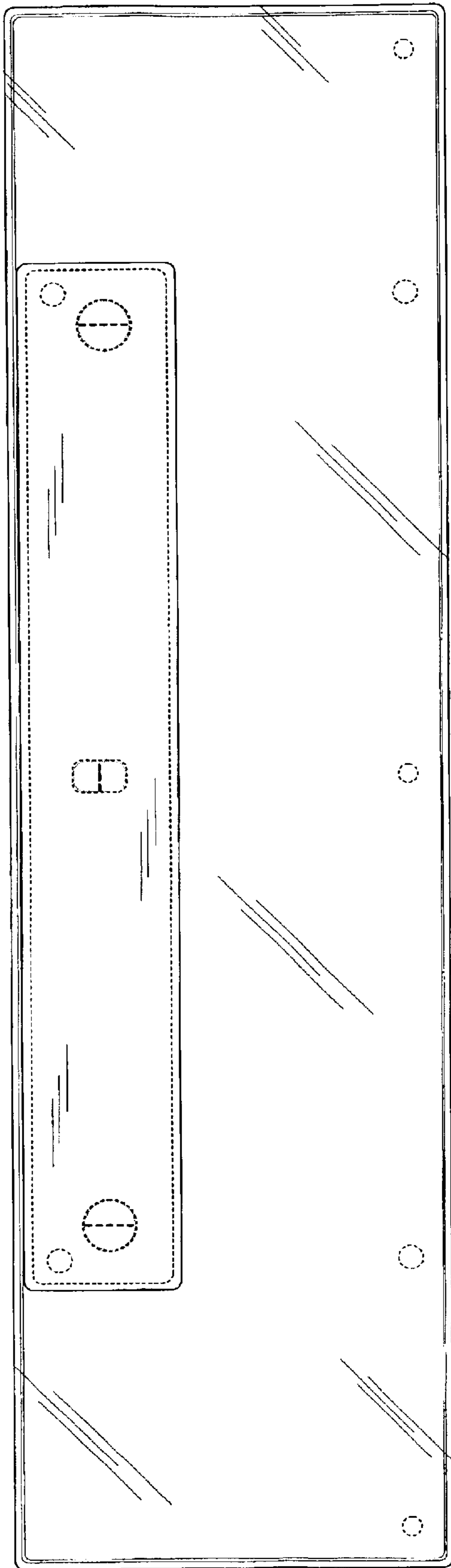


FIG. 7

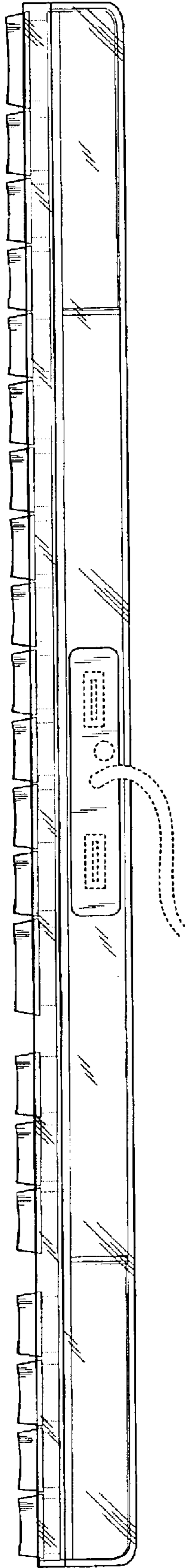


FIG. 8

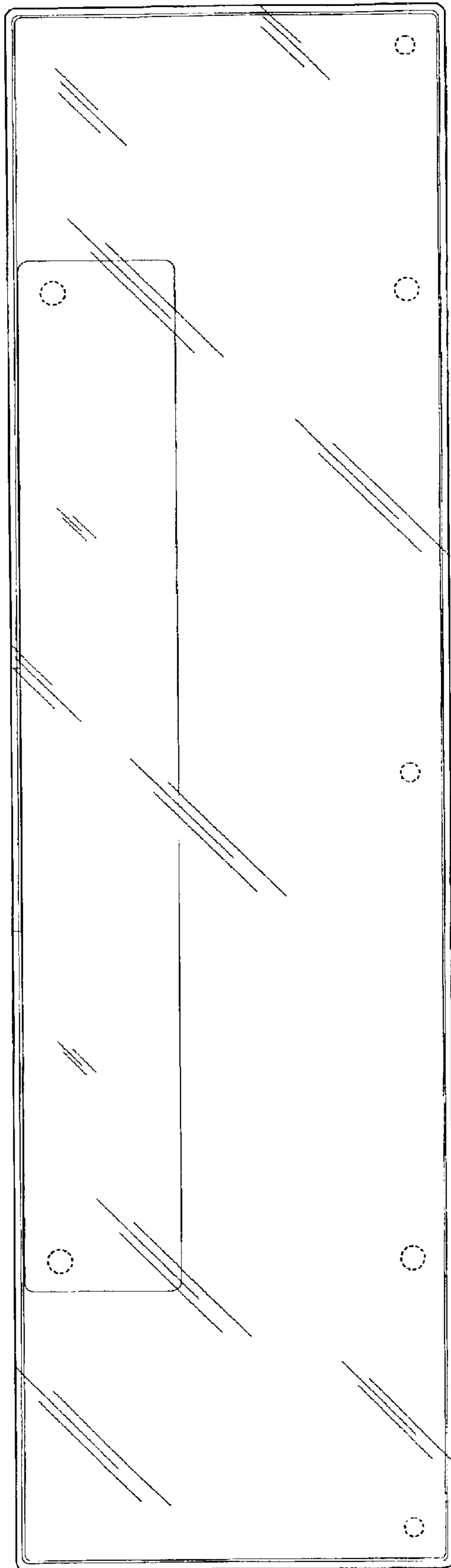


FIG. 9

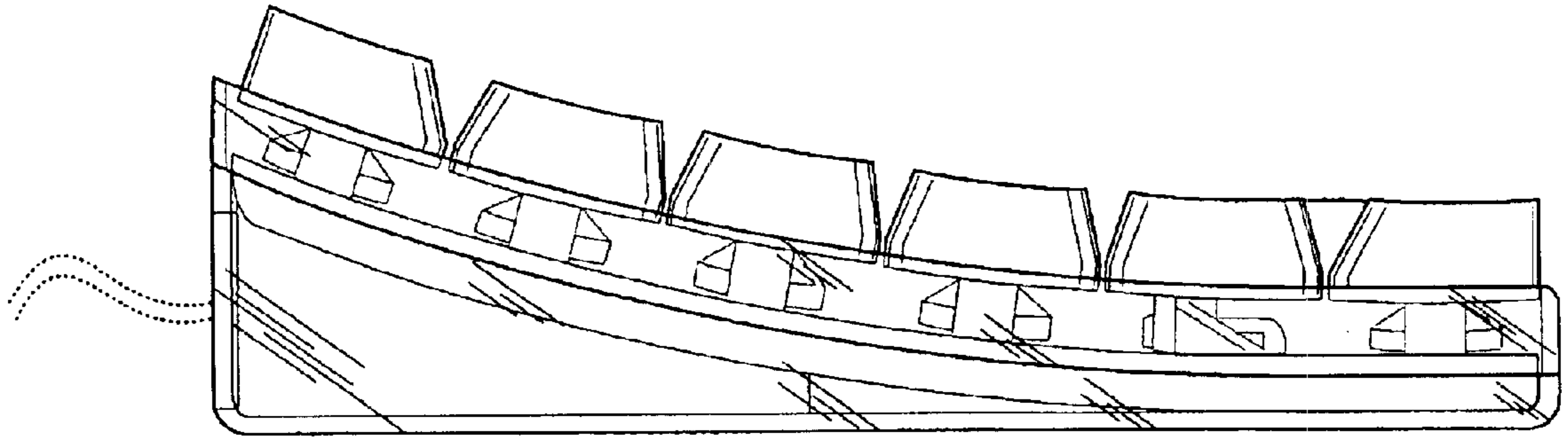


FIG. 10

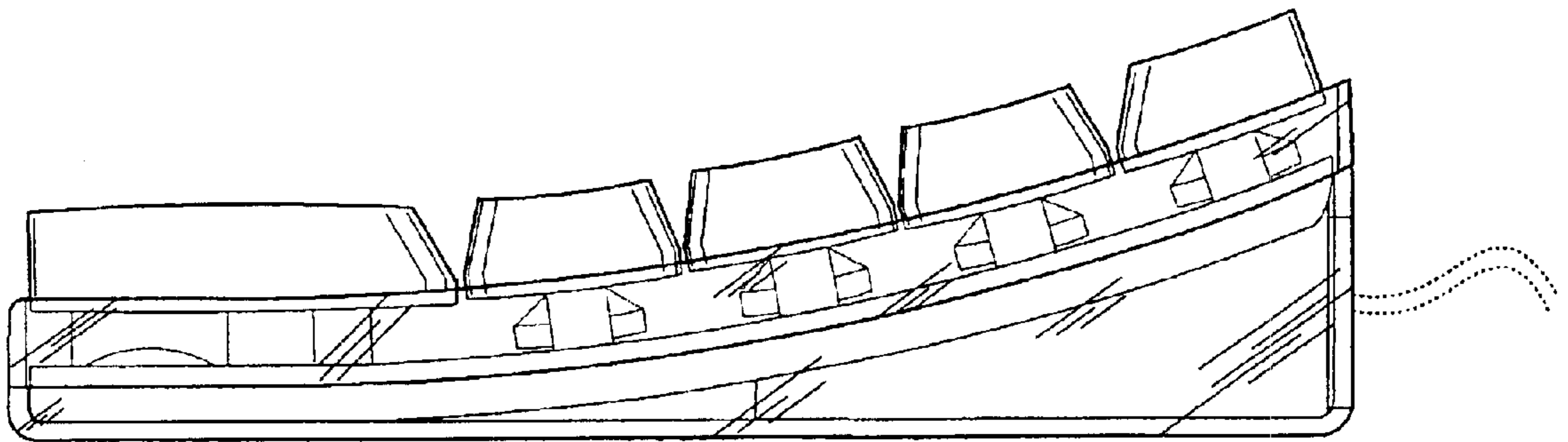


FIG. 11