



US00D490811S

(12) **United States Design Patent**
Taniguchi

(10) **Patent No.:** **US D490,811 S**

(45) **Date of Patent:** **** Jun. 1, 2004**

(54) **ID TAG READING WRITE-IN GATE**

6,332,098 B2 * 12/2001 Ross et al. 700/226
D453,512 S * 2/2002 Campagna D14/385

(75) Inventor: **Michiaki Taniguchi**, Kyoto (JP)

* cited by examiner

(73) Assignee: **Omron Corporation**, Kyoto (JP)

Primary Examiner—Freda Nunn

(**) Term: **14 Years**

(74) *Attorney, Agent, or Firm*—Dickstein Shapiro Morin & Oshinsky LLP

(21) Appl. No.: **29/156,555**

(57) **CLAIM**

(22) Filed: **Mar. 5, 2002**

The ornamental design for an ID tag reading write-in gate, as shown and described.

(30) **Foreign Application Priority Data**

DESCRIPTION

Sep. 21, 2001 (JP) 2001-027851

(51) **LOC (7) Cl.** **14-02**

(52) **U.S. Cl.** **D14/385**

(58) **Field of Search** D14/385, 386;
D10/104, 106; 700/225, 226, 227, 214,
215, 218; 414/347

FIG. 1 is a front view showing my new design for an ID tag reading write-in gate;

FIG. 2 is a side view of the ID tag reading write-in gate of FIG. 1;

FIG. 3 is a top view of the ID tag reading write-in gate of FIG. 1;

FIG. 4 is a bottom view of the ID tag reading write-in gate of FIG. 1;

FIG. 5 is a perspective view of the ID tag reading write-in gate of FIG. 1; and,

FIG. 6 is a cross-sectional view of the ID tag reading write-in gate of FIG. 1 taken along line VI—VI of FIG. 3.

(56) **References Cited**

U.S. PATENT DOCUMENTS

D297,221 S * 8/1988 Podhrasky D10/106
5,712,789 A * 1/1998 Radican 700/226
5,953,234 A * 9/1999 Singer et al. 700/214
6,253,118 B1 * 6/2001 Koyama 700/218

1 Claim, 3 Drawing Sheets

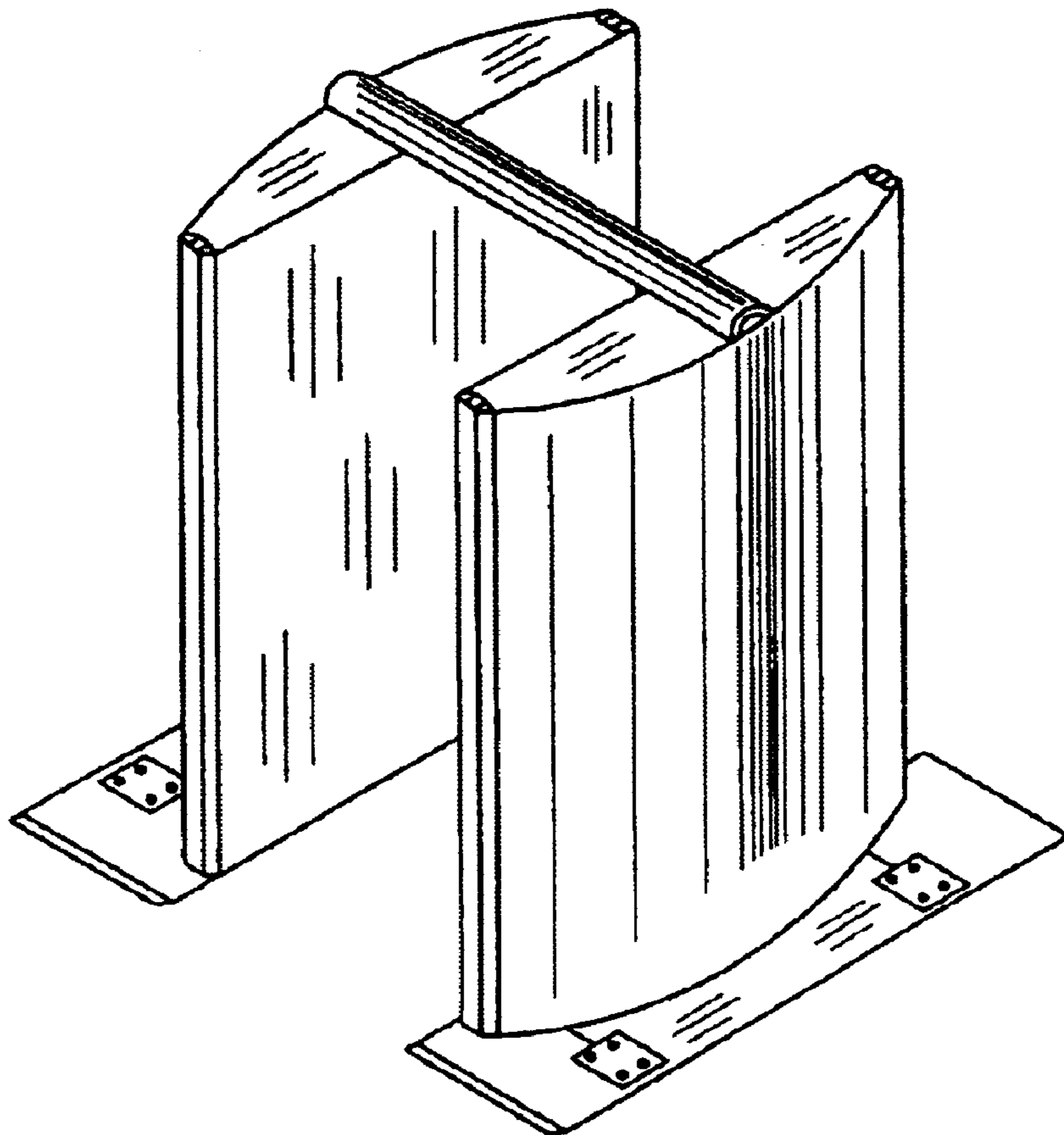


Fig. 1

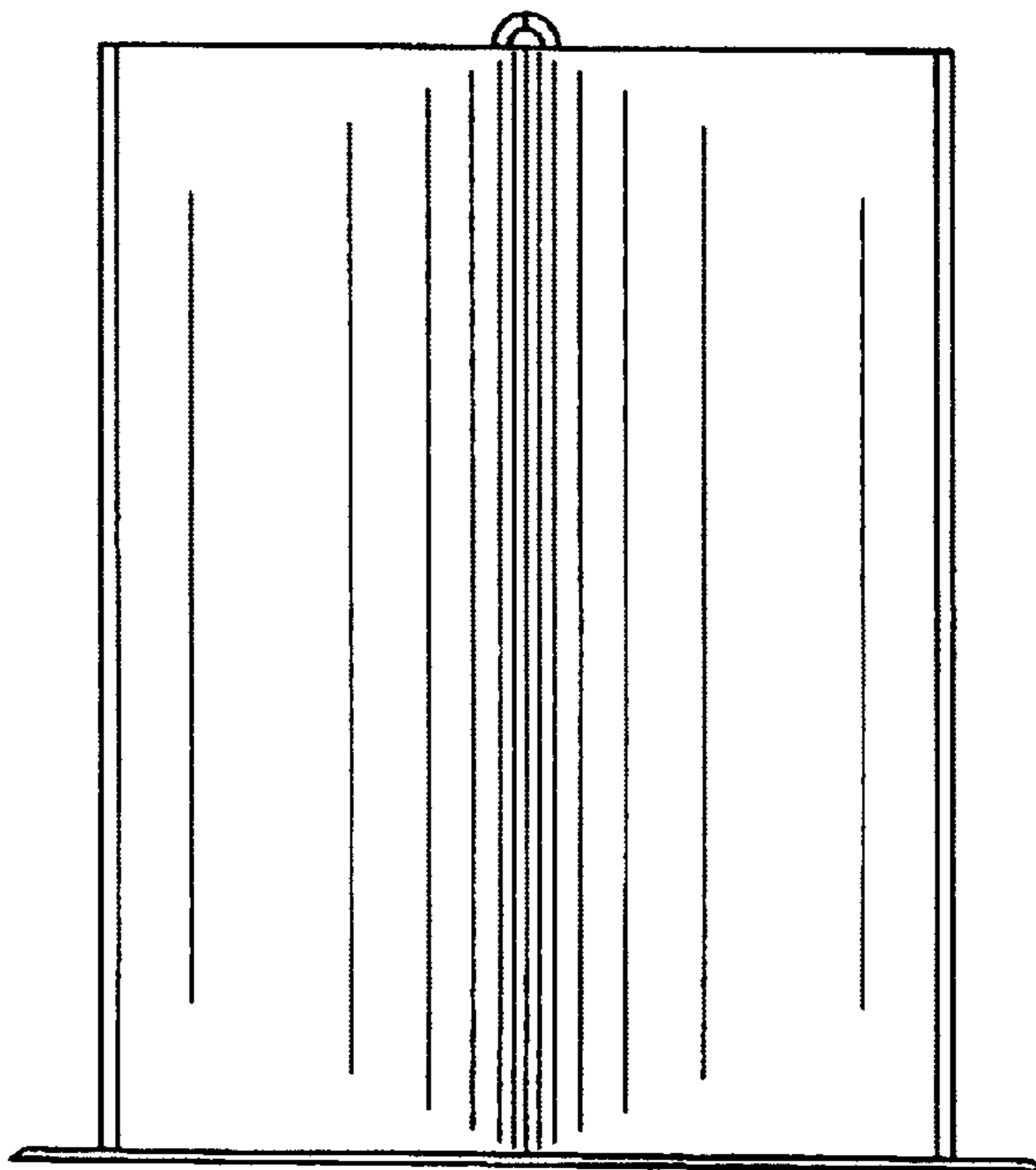
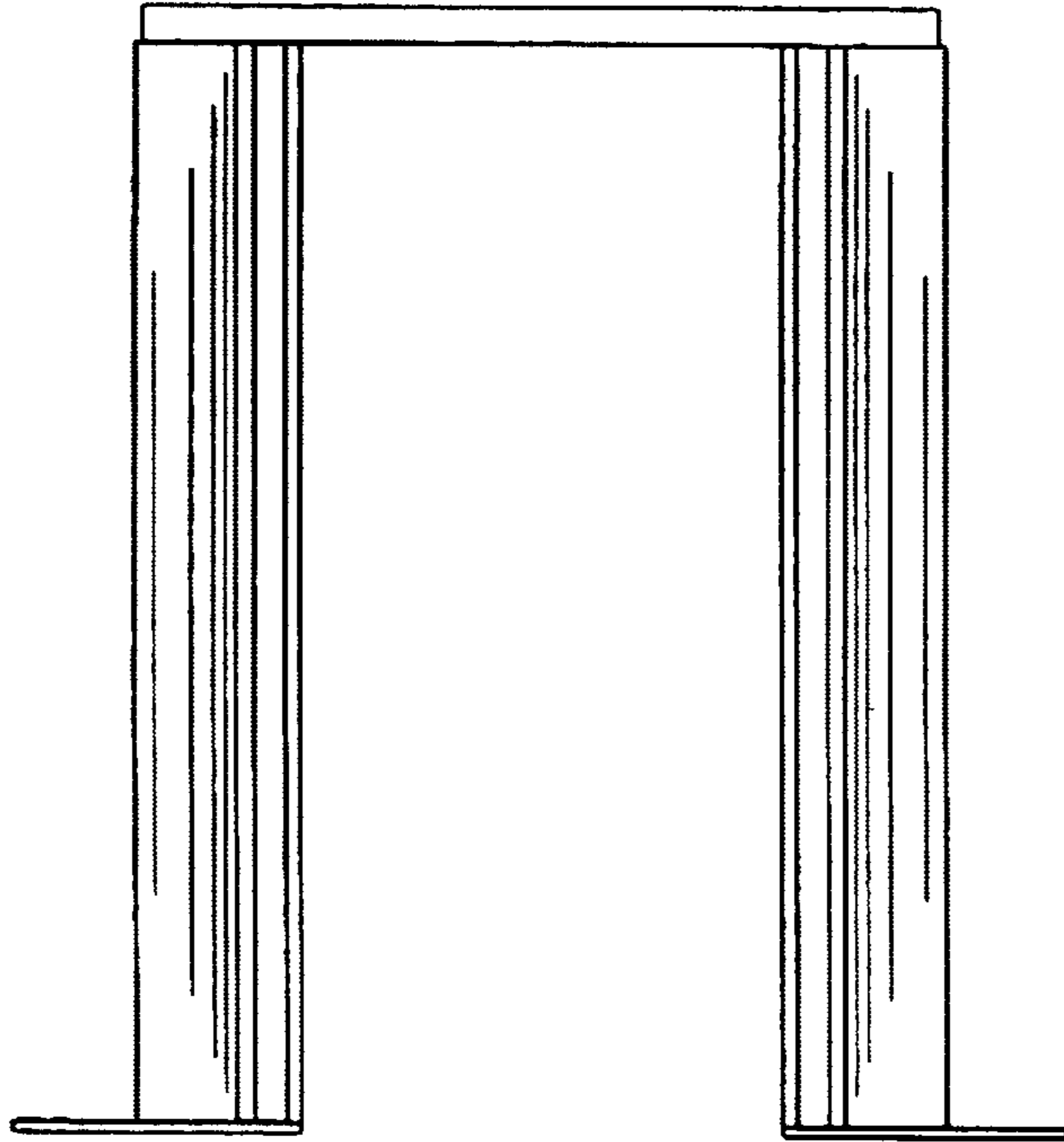


Fig. 2

Fig. 3

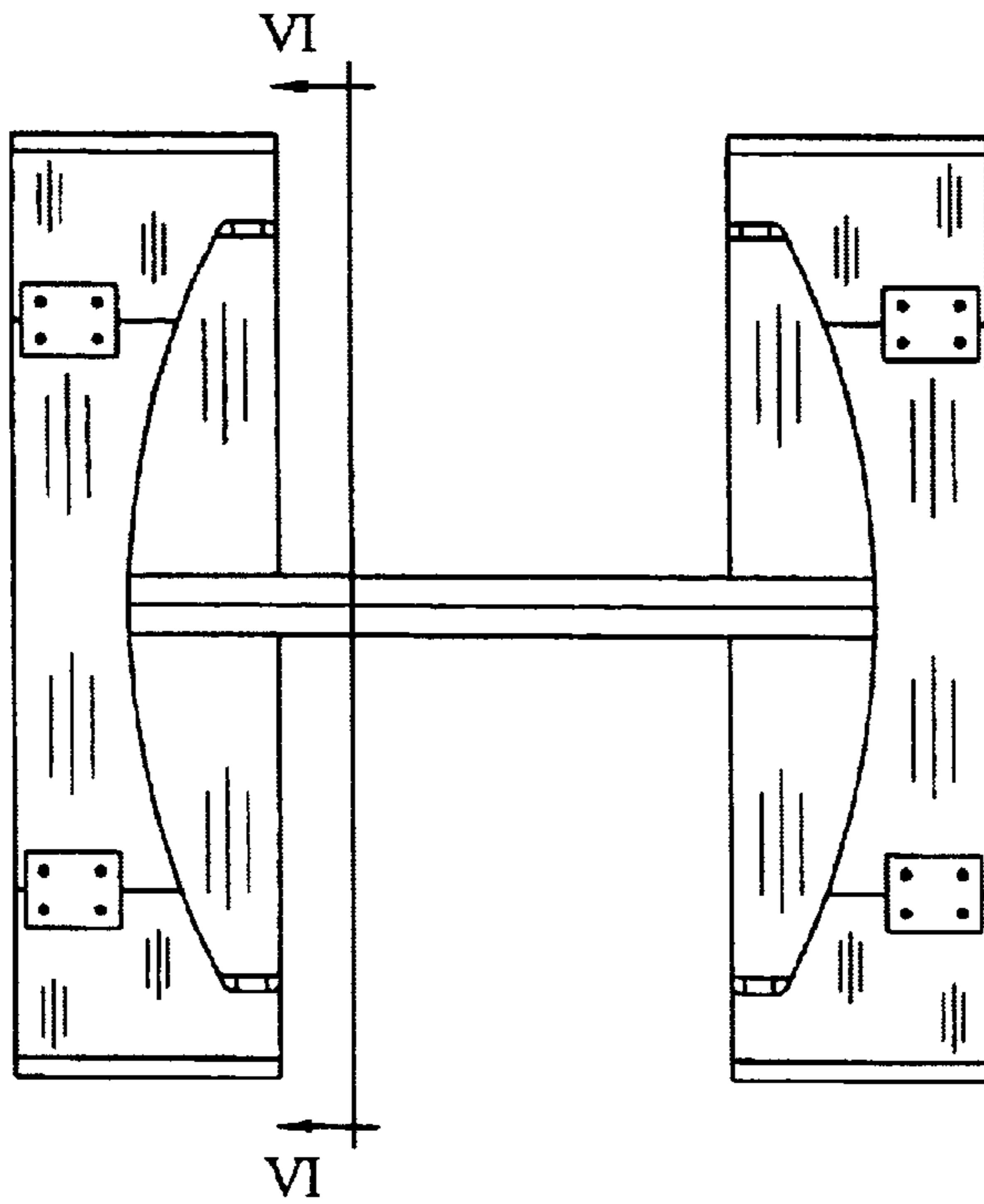


Fig. 4

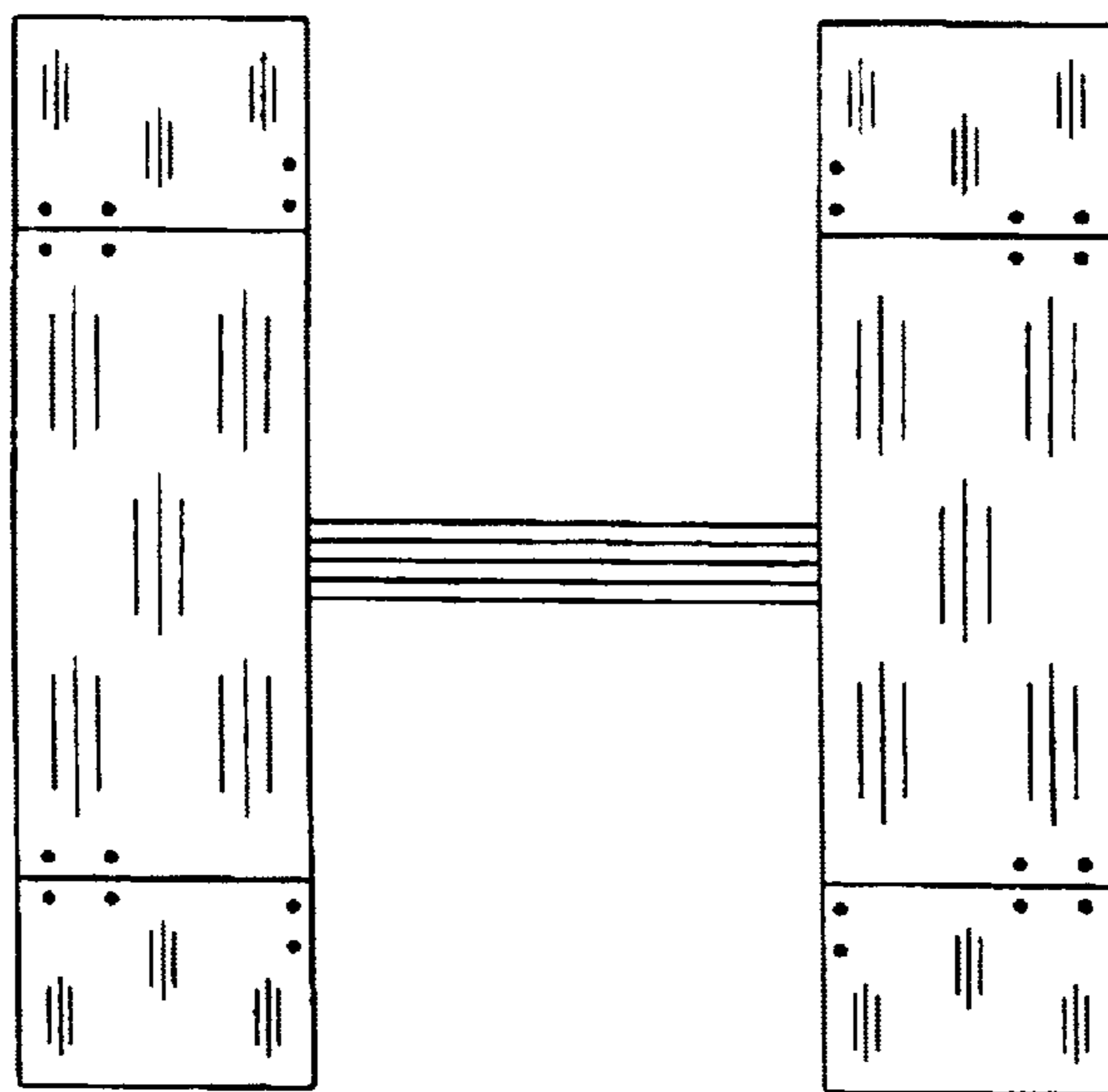


Fig. 5

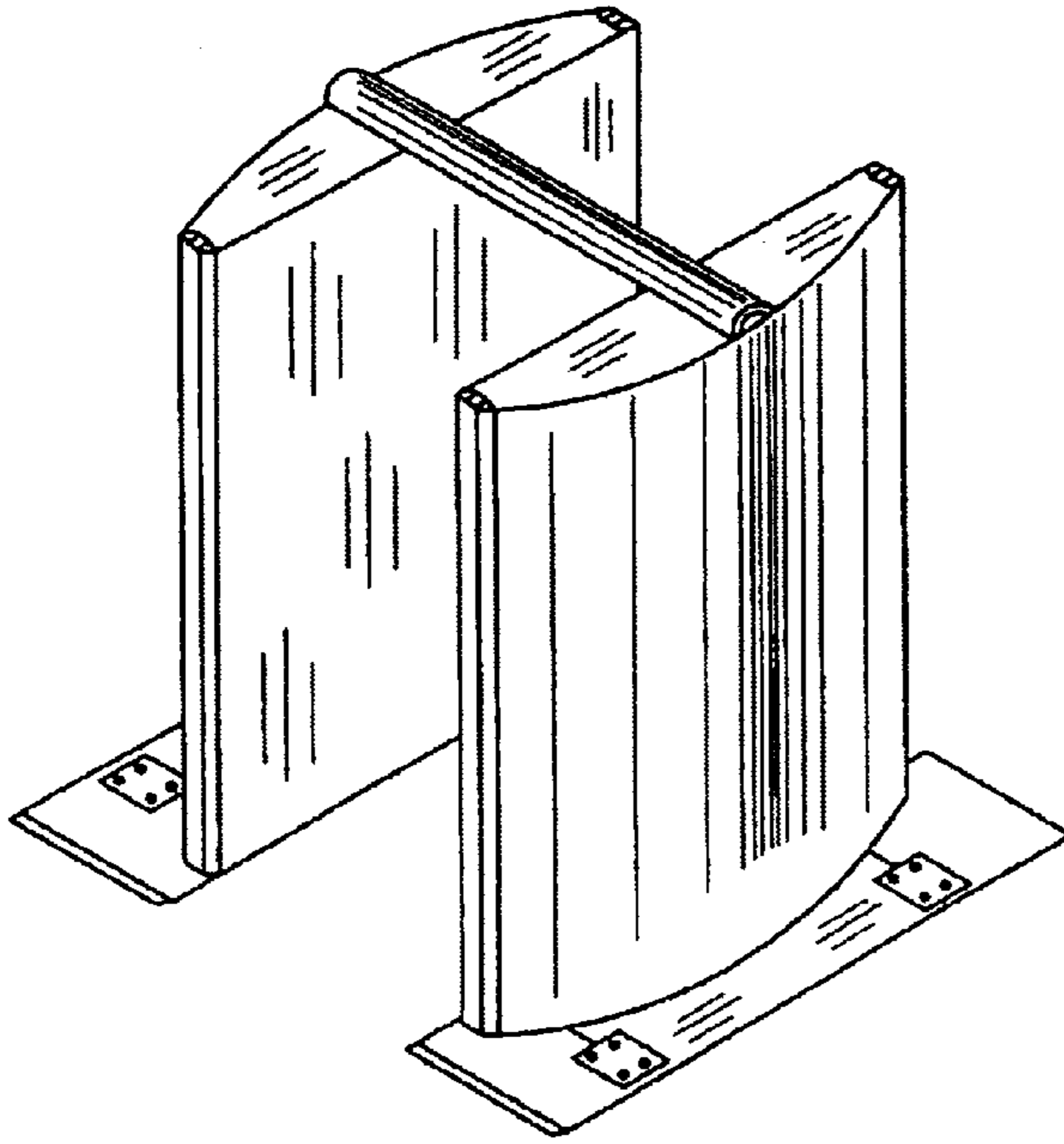


Fig. 6

