



US00D490810S

(12) **United States Design Patent**
Huang

(10) **Patent No.:** **US D490,810 S**

(45) **Date of Patent:** **** Jun. 1, 2004**

(54) **LCD MONITOR**

(76) Inventor: **Ching-Hsien Huang**, PO Box 82-144,
Taipei (TW)

(**) Term: **14 Years**

(21) Appl. No.: **29/181,050**

(22) Filed: **May 5, 2003**

(30) **Foreign Application Priority Data**

Feb. 21, 2003 (TW) 092301004 U

(51) **LOC (7) Cl.** **14-02**

(52) **U.S. Cl.** **D14/374**

(58) **Field of Search** D14/371-375,
D14/125-129; 345/104, 156, 168, 173;
348/180, 184, 325, 739; 349/1, 2, 11.62;
248/917-924; 341/12

(56) **References Cited**

U.S. PATENT DOCUMENTS

D439,900 S * 4/2001 Baek D14/374

D453,333 S * 2/2002 Chen D14/374

D454,565 S * 3/2002 Harriman D14/374

D458,602 S * 6/2002 Hasegawa et al. D14/374

D462,074 S * 8/2002 Kim D14/375

D472,553 S * 4/2003 Borsboom et al. D14/375

* cited by examiner

Primary Examiner—Freda S. Nunn

(74) *Attorney, Agent, or Firm*—Leong C. Lei

(57) **CLAIM**

The ornamental design for LCD monitor, as shown and described.

DESCRIPTION

FIG. 1 is perspective view of LCD monitor showing my new design;

FIG. 2 is a front side elevation view thereof;

FIG. 3 is a rear side elevation view thereof;

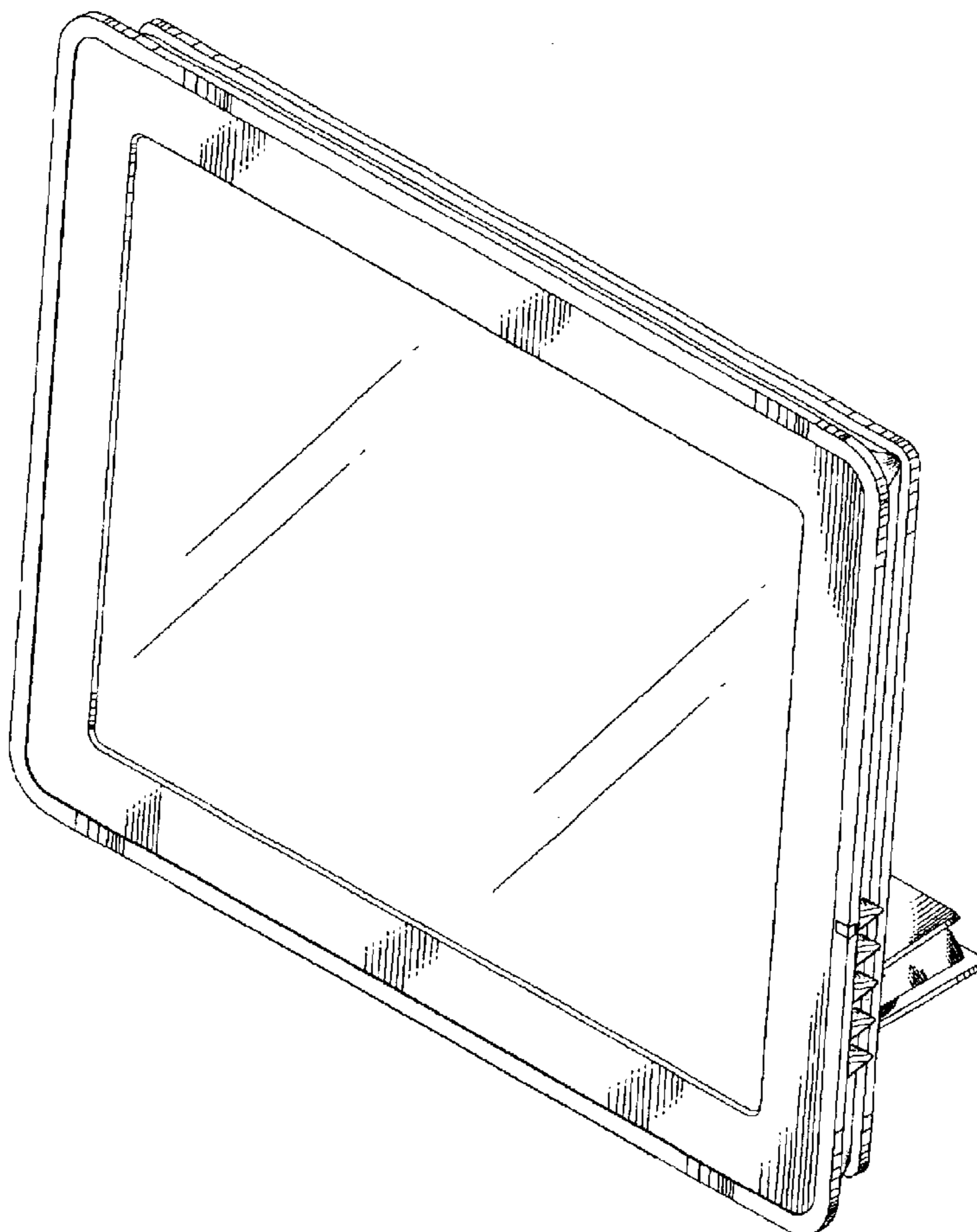
FIG. 4 is a left side elevation view thereof;

FIG. 5 is a right side elevation view thereof;

FIG. 6 is a top view thereof; and,

FIG. 7 is a bottom plan view thereof.

1 Claim, 5 Drawing Sheets



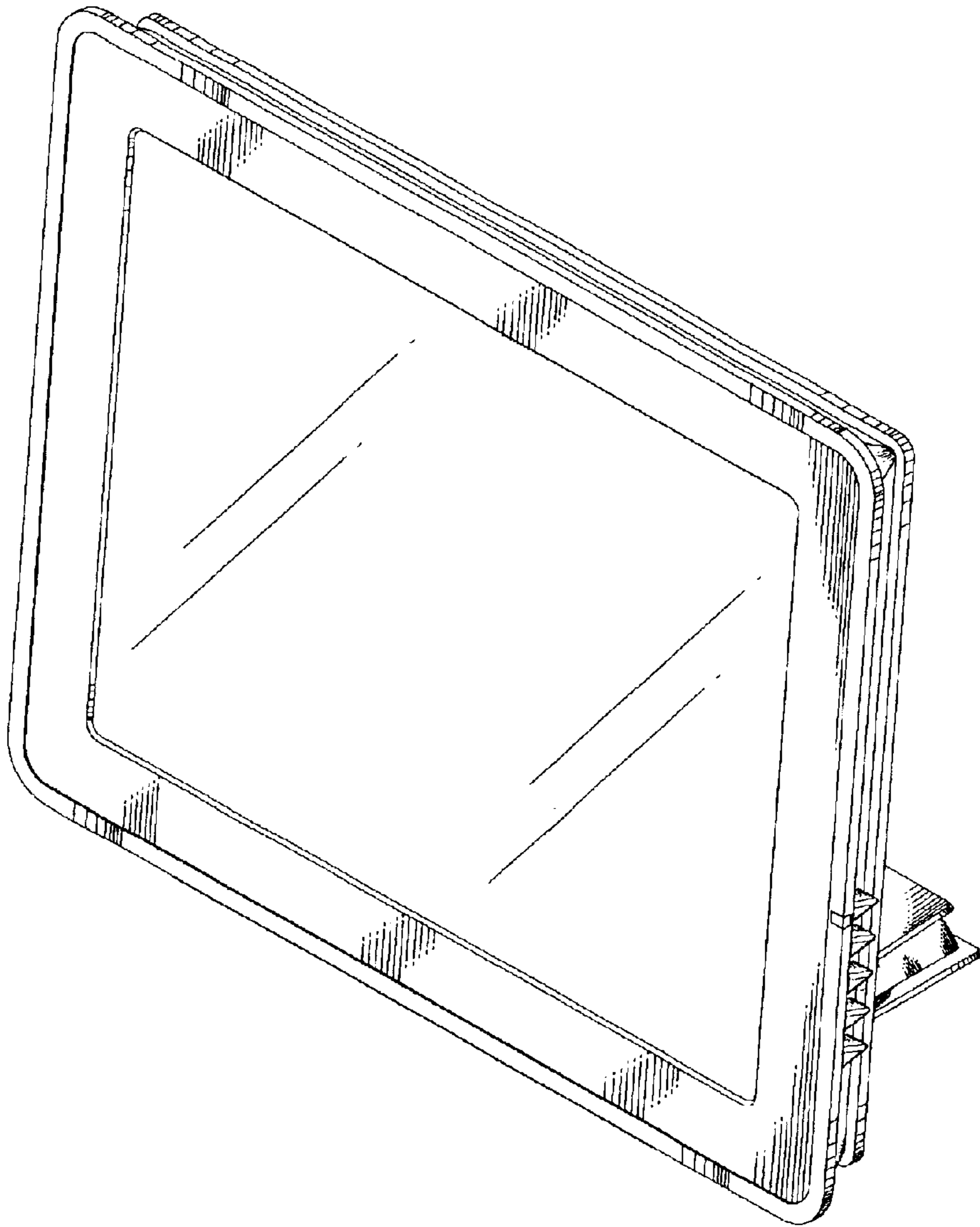


FIG. 1

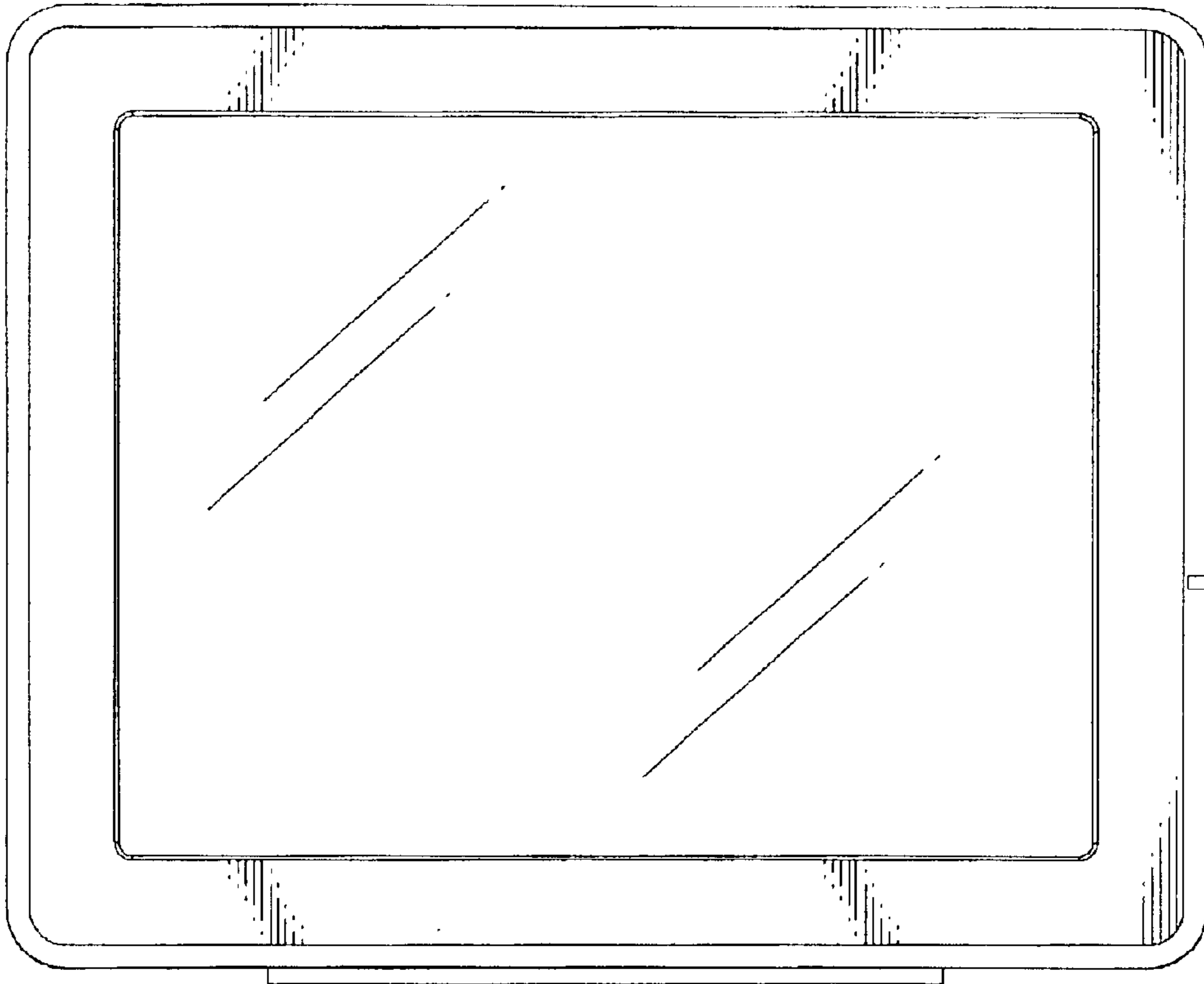


FIG. 2

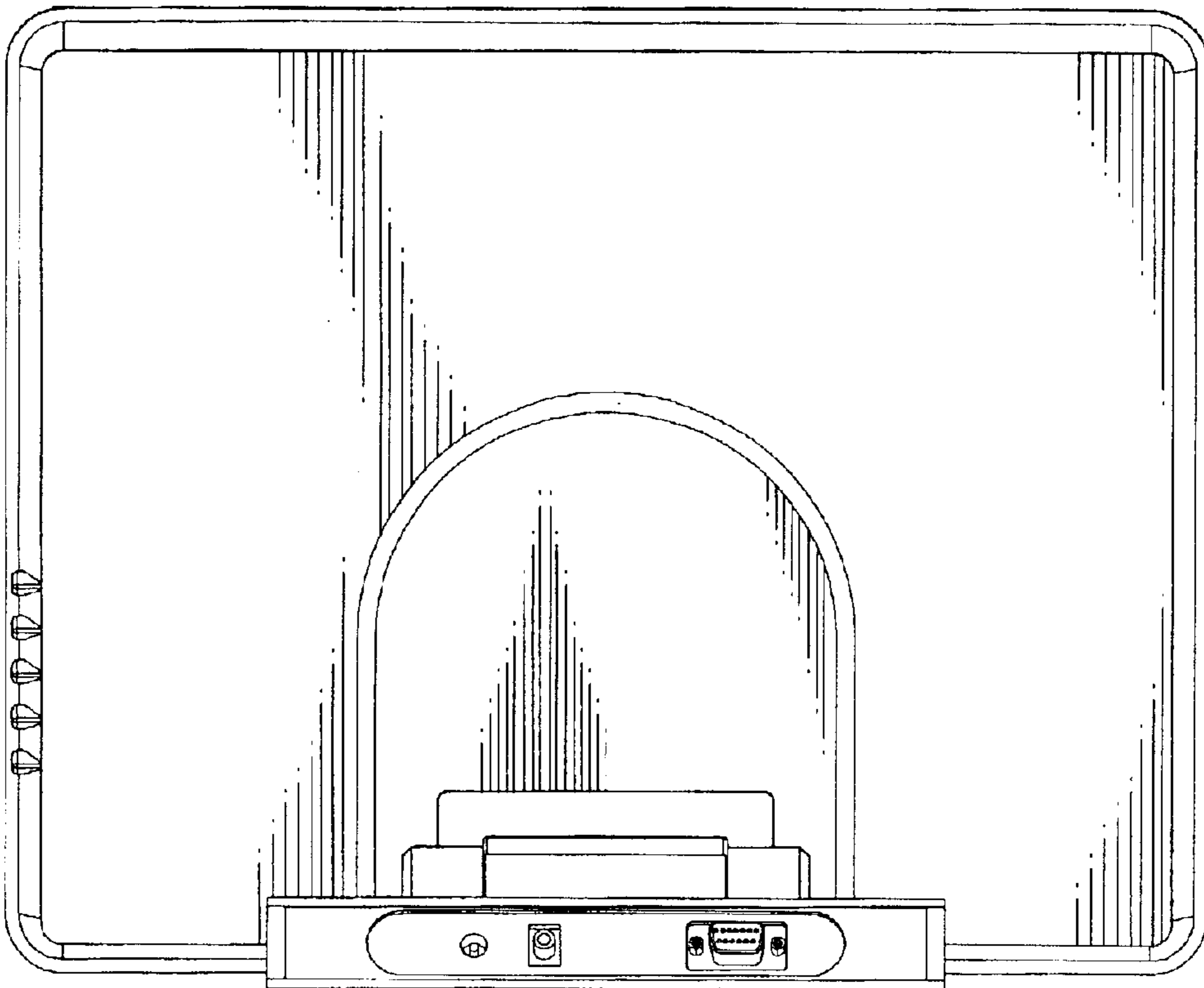


FIG. 3

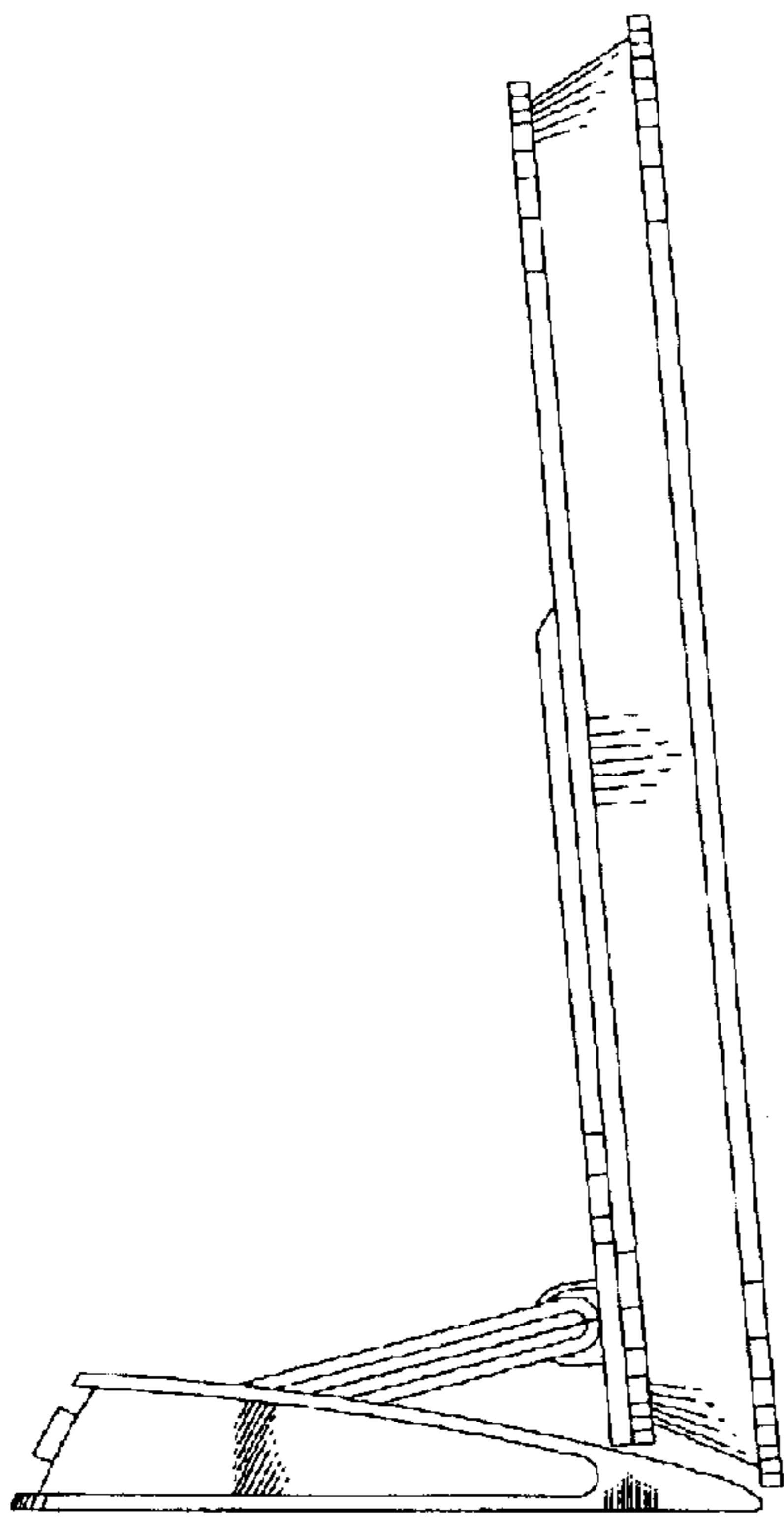


FIG. 4

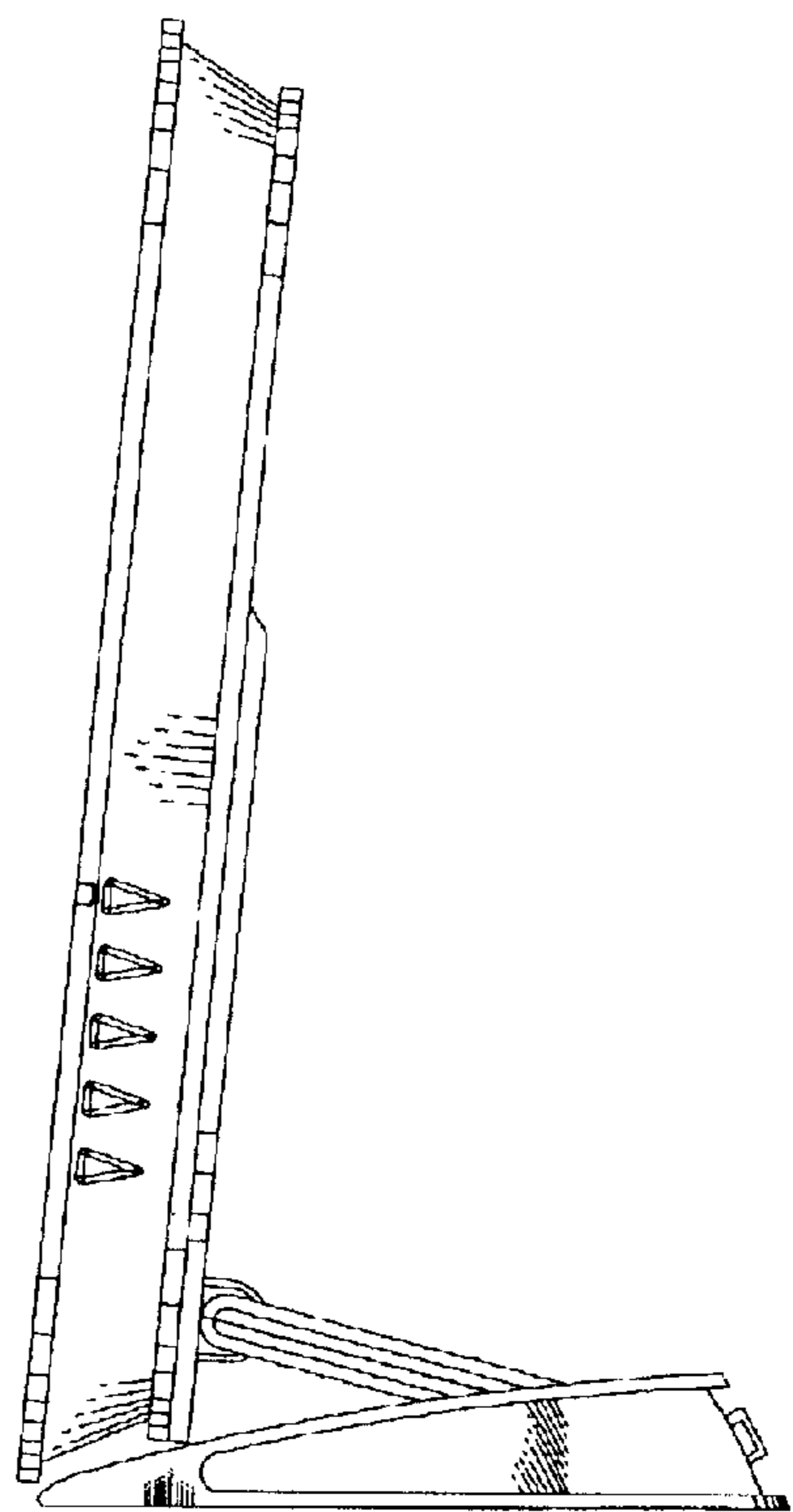


FIG. 5

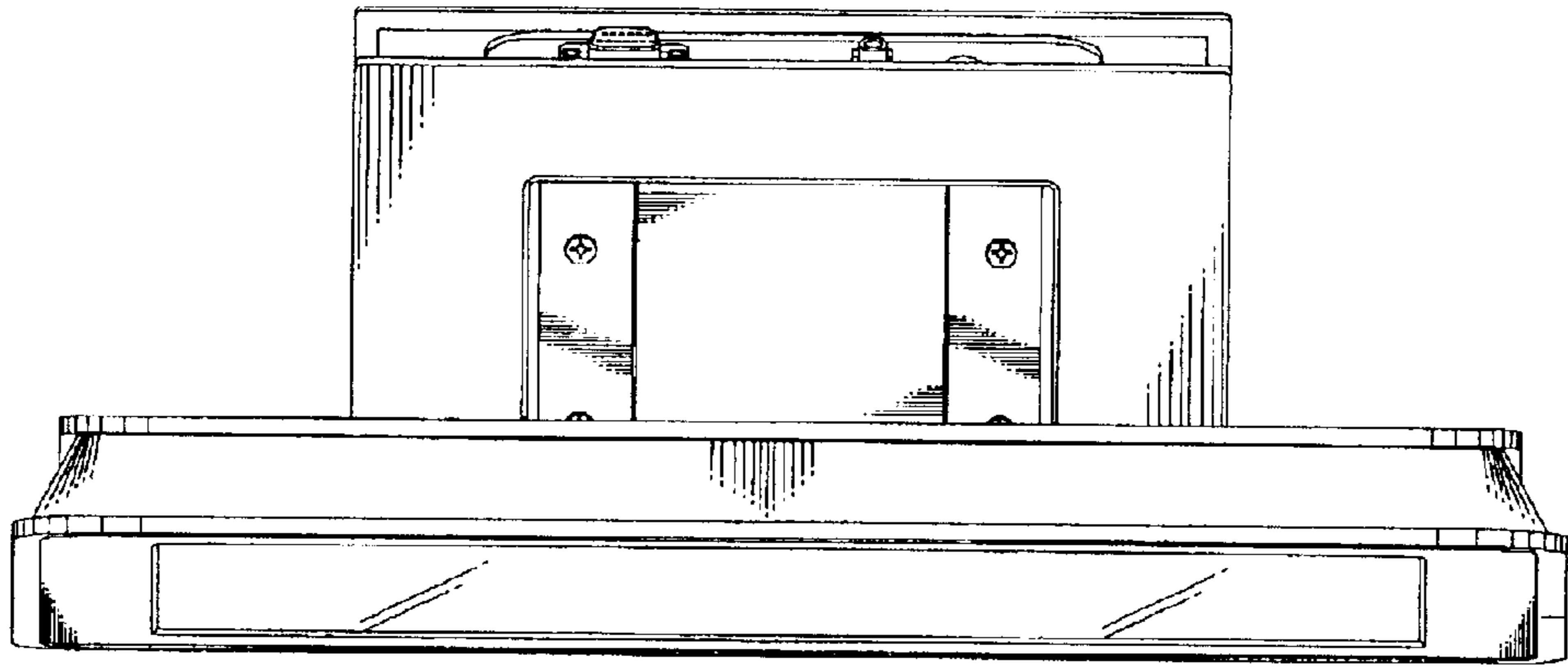


FIG. 6

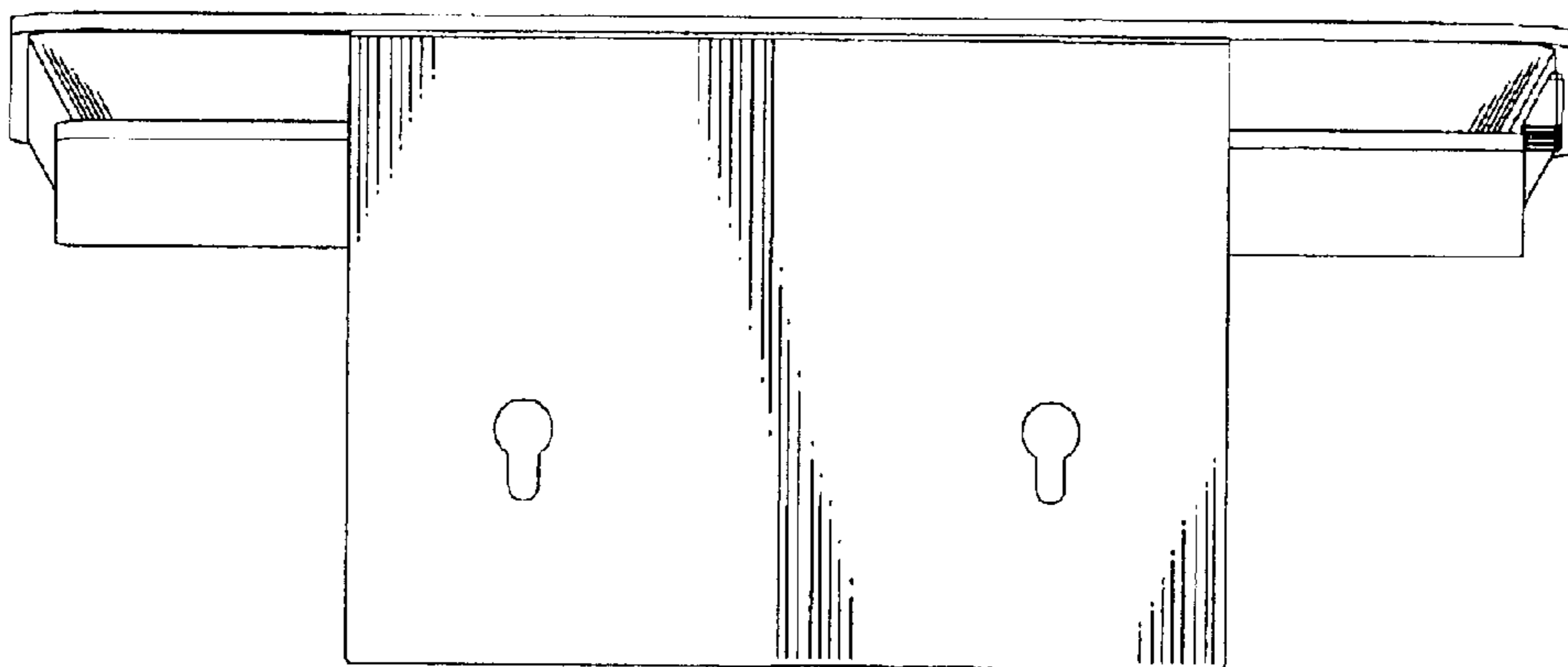


FIG. 7