



US00D490809S

(12) **United States Design Patent**
Wu et al.

(10) **Patent No.: US D490,809 S**

(45) **Date of Patent: ** Jun. 1, 2004**

(54) **PORTABLE LCD MONITOR**

(75) Inventors: **Wen-Ming Wu**, Taipei (TW);
Chun-Ting Wu, Banchiau (TW);
Chien-Jui Wang, Taipei (TW);
Chun-Hsiung Yin, Tainan (TW)

(73) Assignee: **BenQ Corporation**, Taoyuan Shien (TW)

(**) Term: **14 Years**

(21) Appl. No.: **29/180,383**

(22) Filed: **Apr. 23, 2003**

(30) **Foreign Application Priority Data**

Mar. 12, 2003 (TW) 92301412

(51) **LOC (7) Cl. 14-02**

(52) **U.S. Cl. D14/371**

(58) **Field of Search** D14/315-322,
D14/324, 328, 371, 345; D18/1, 2, 7; 345/156,
168, 169, 172, 173, 87; 361/680-686; D19/52

(56) **References Cited**

U.S. PATENT DOCUMENTS

D324,673 S * 3/1992 Iino D14/315

D366,280 S * 1/1996 Henderson D19/52

D442,953 S * 5/2001 Lassen D14/345

* cited by examiner

Primary Examiner—Freda S. Nunn

(74) *Attorney, Agent, or Firm*—Thomas, Kayden,
Horstemeyer & Risley

(57) **CLAIM**

The ornamental design for a portable LCD monitor, as shown and described.

DESCRIPTION

FIG. 1 is a perspective view of a portable LCD monitor showing our new design;

FIG. 2 is a front elevational view thereof;

FIG. 3 is a left side elevational view thereof;

FIG. 4 is a right side elevational view thereof;

FIG. 5 is a top plane view thereof;

FIG. 6 is a bottom plane view thereof; and

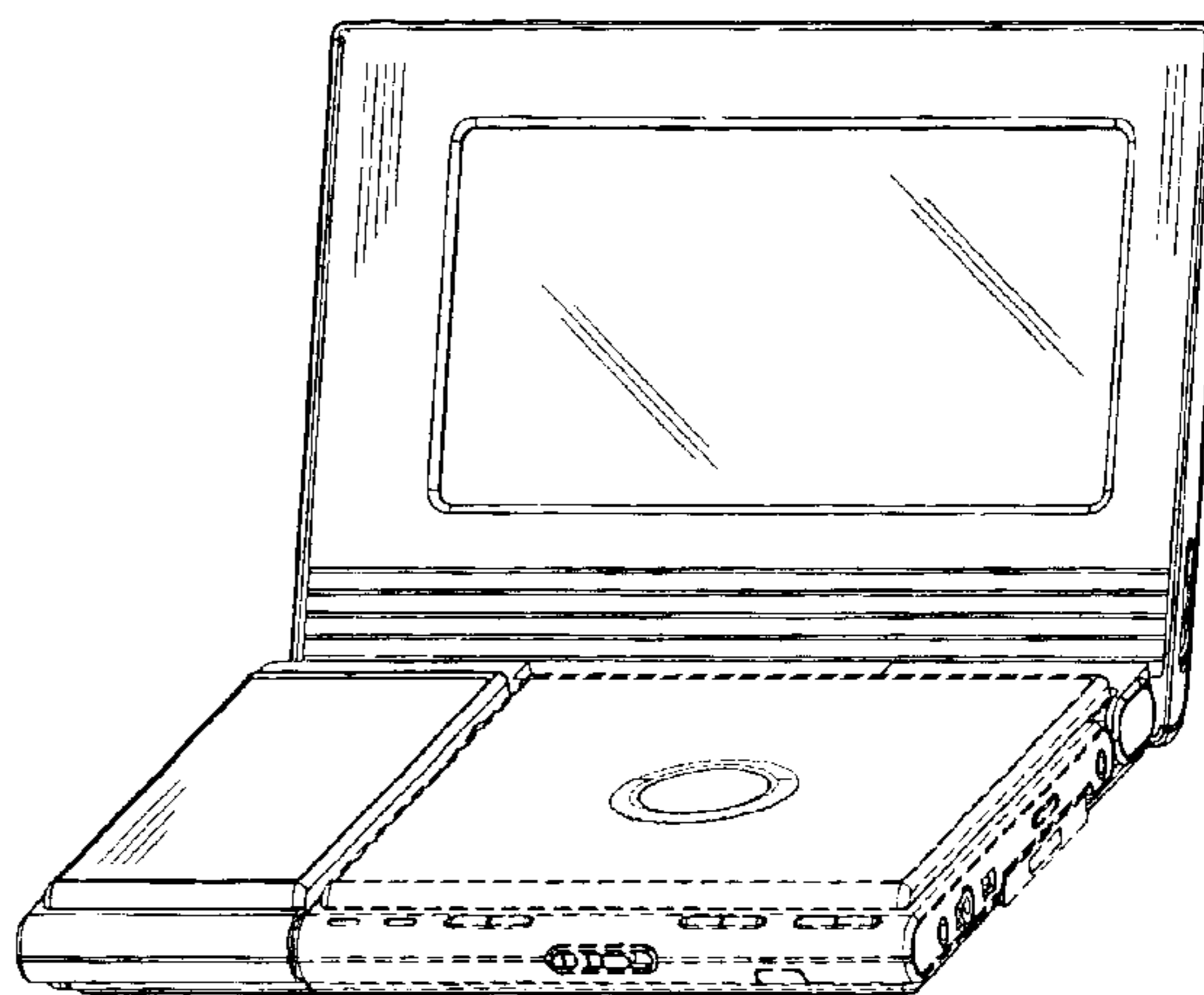
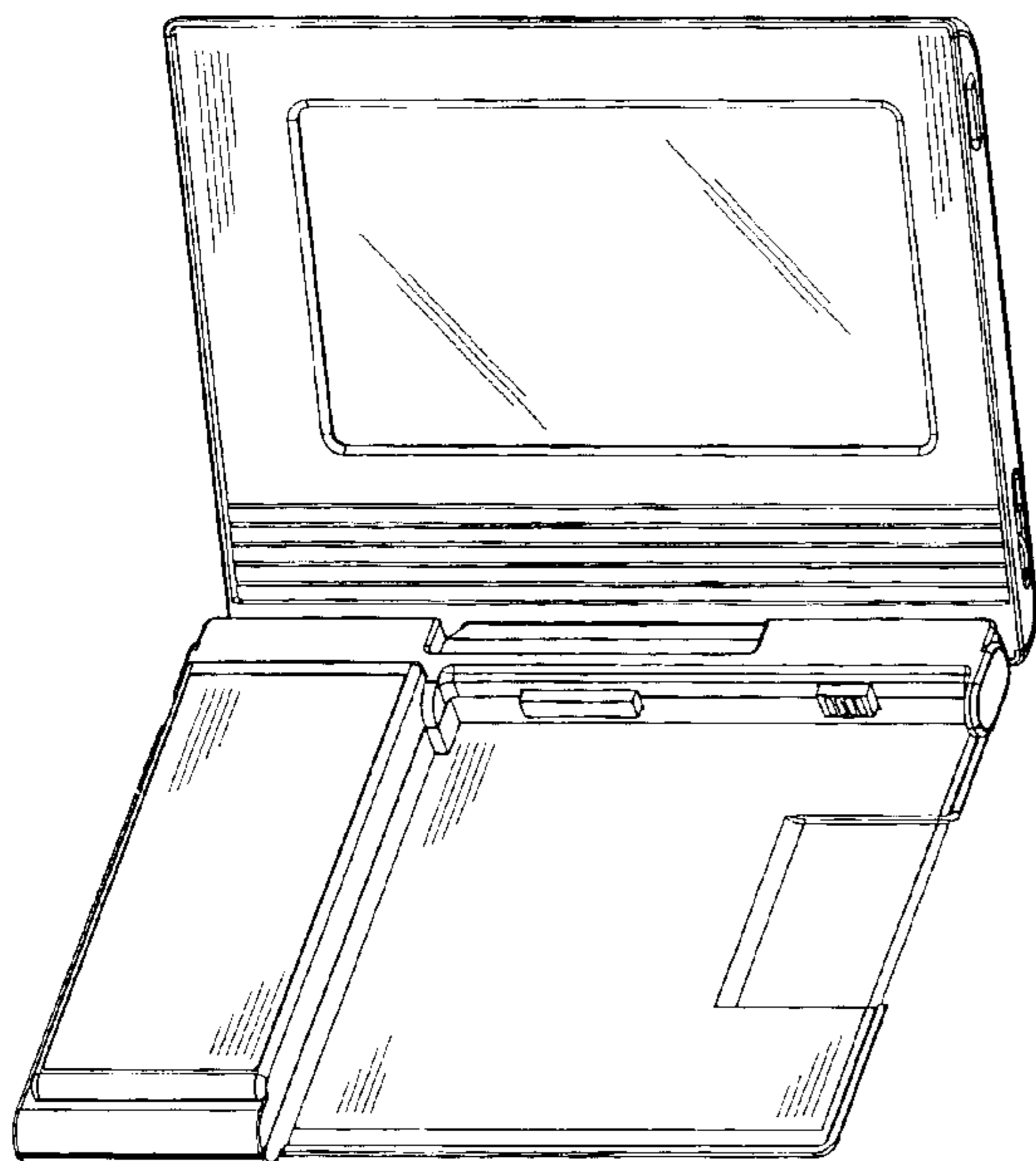
FIG. 7 is a rear elevational view thereof.

FIG. 8 is a perspective view thereof with the cover in the closed position; and,

FIG. 9 is a perspective view thereof combined with a DVD player.

The DVD player shown in broken lines is for illustrative purposes only, and forms no part of the claimed design.

1 Claim, 9 Drawing Sheets



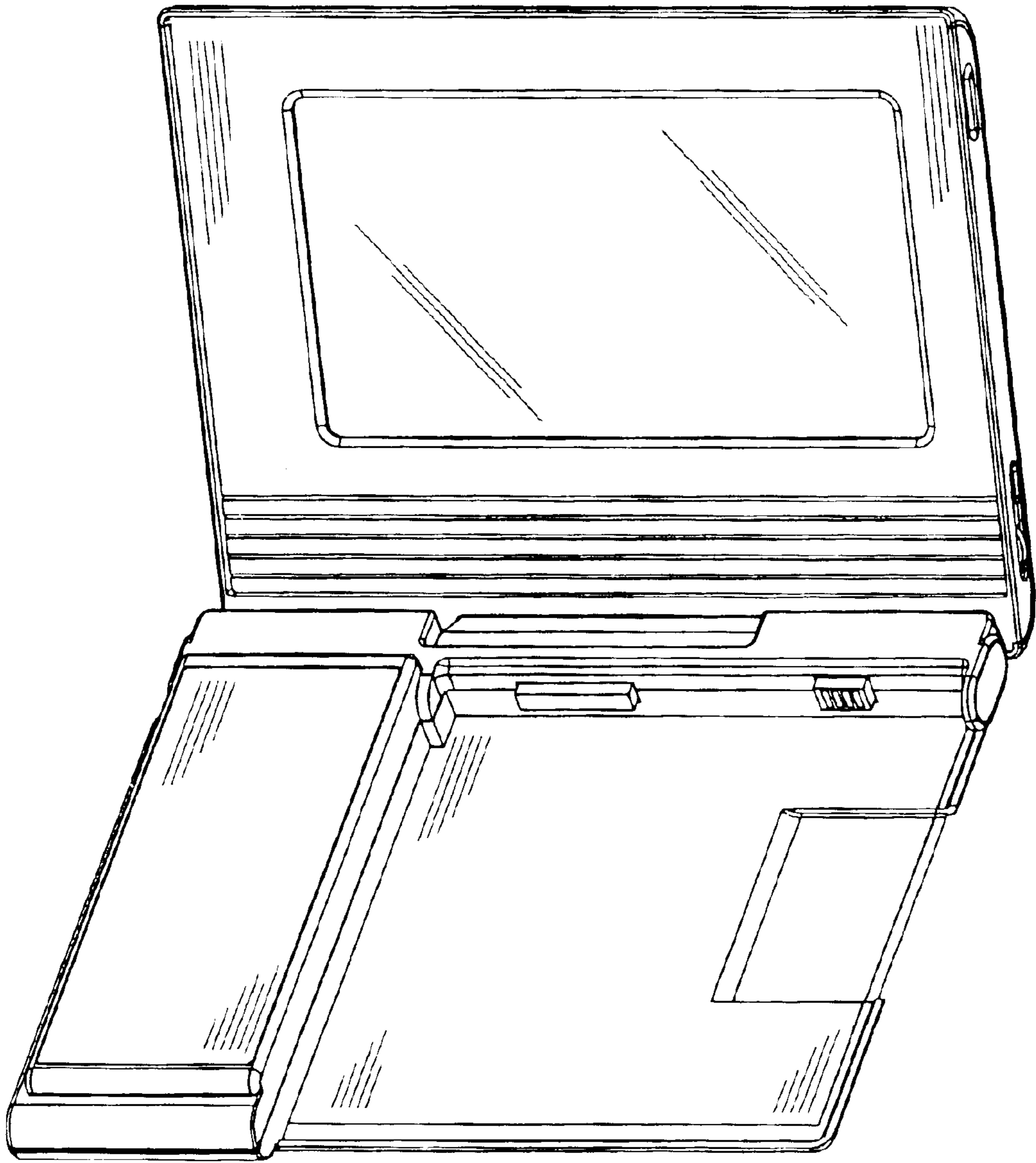


FIG. 1

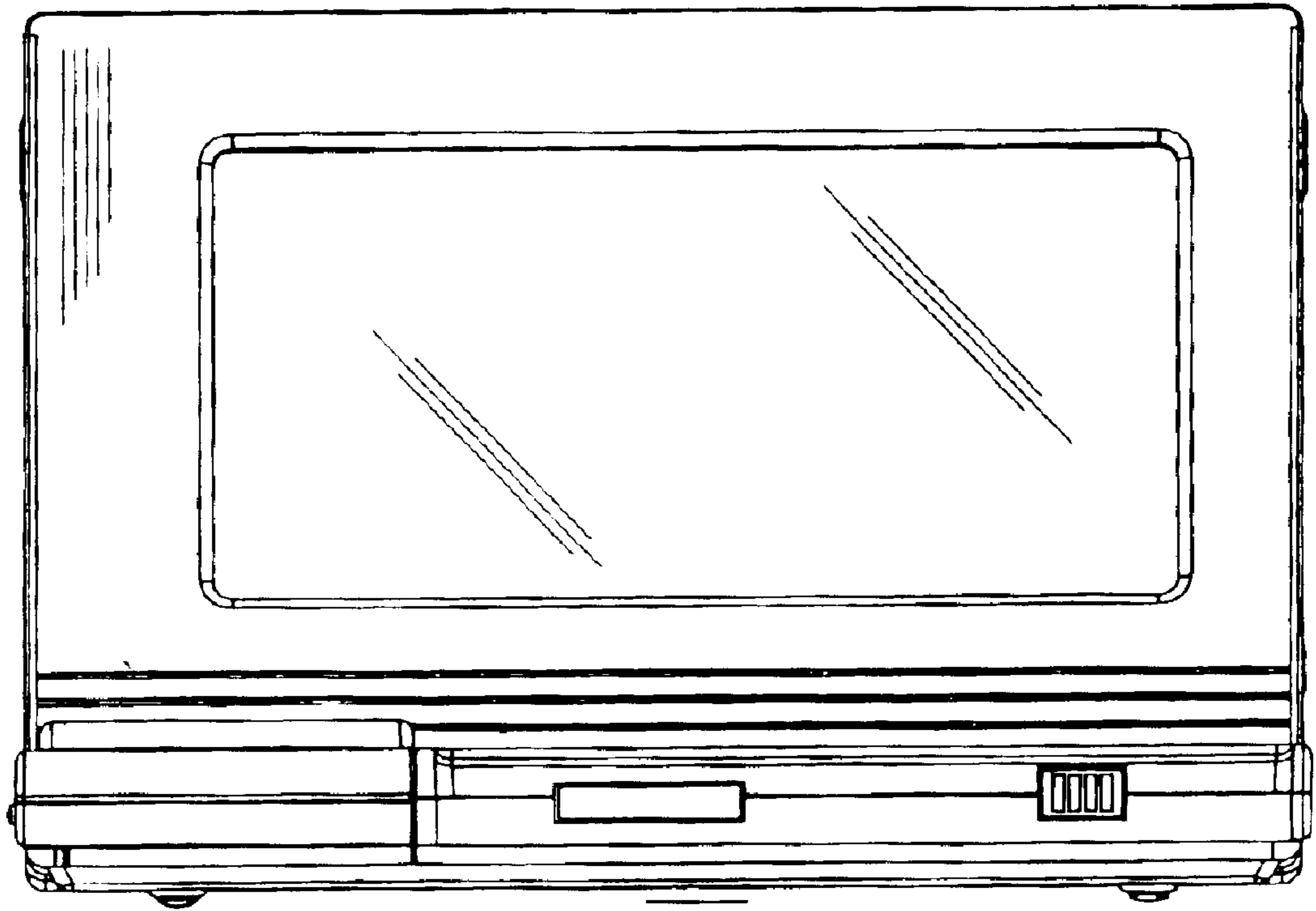


FIG. 2

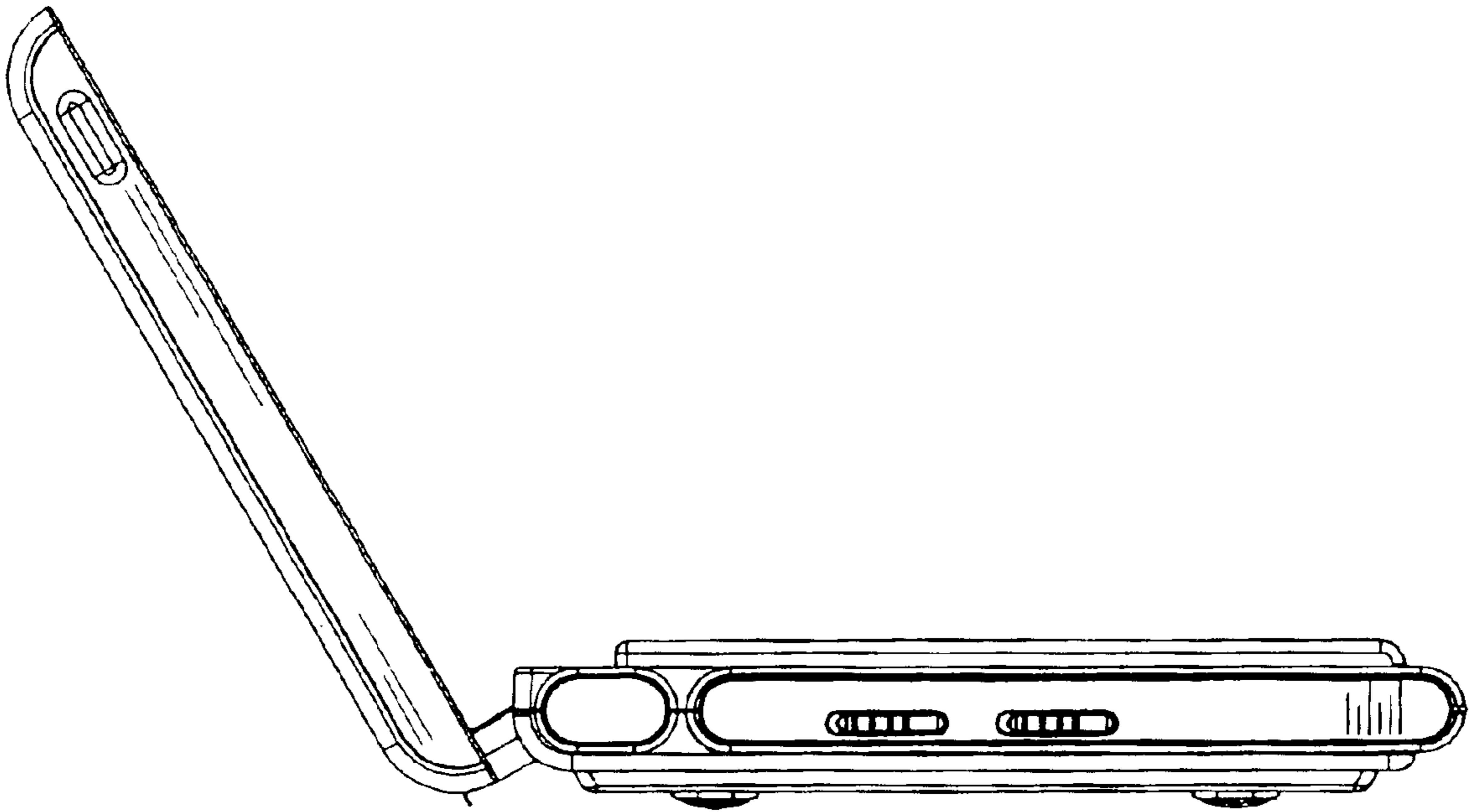


FIG. 3

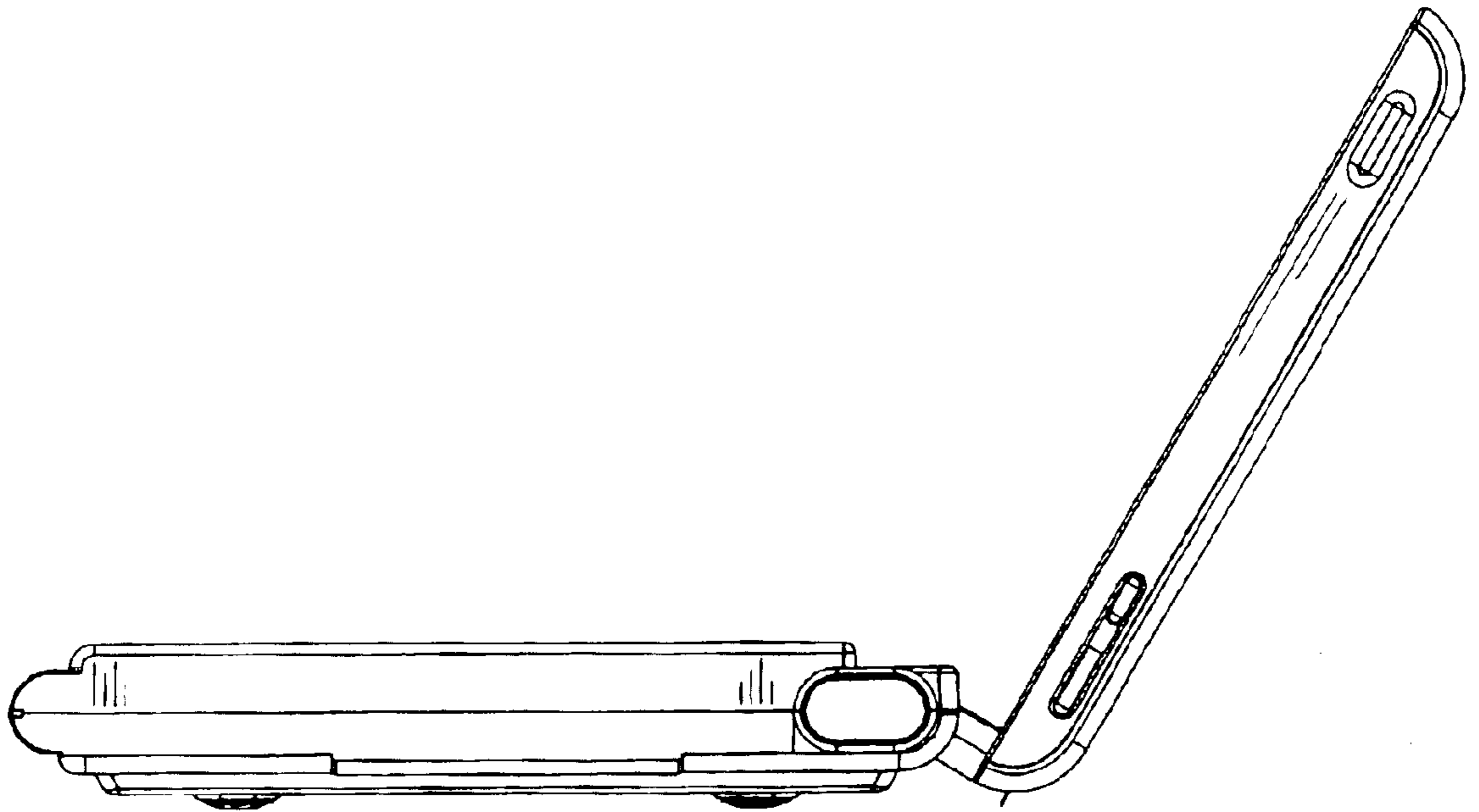


FIG. 4

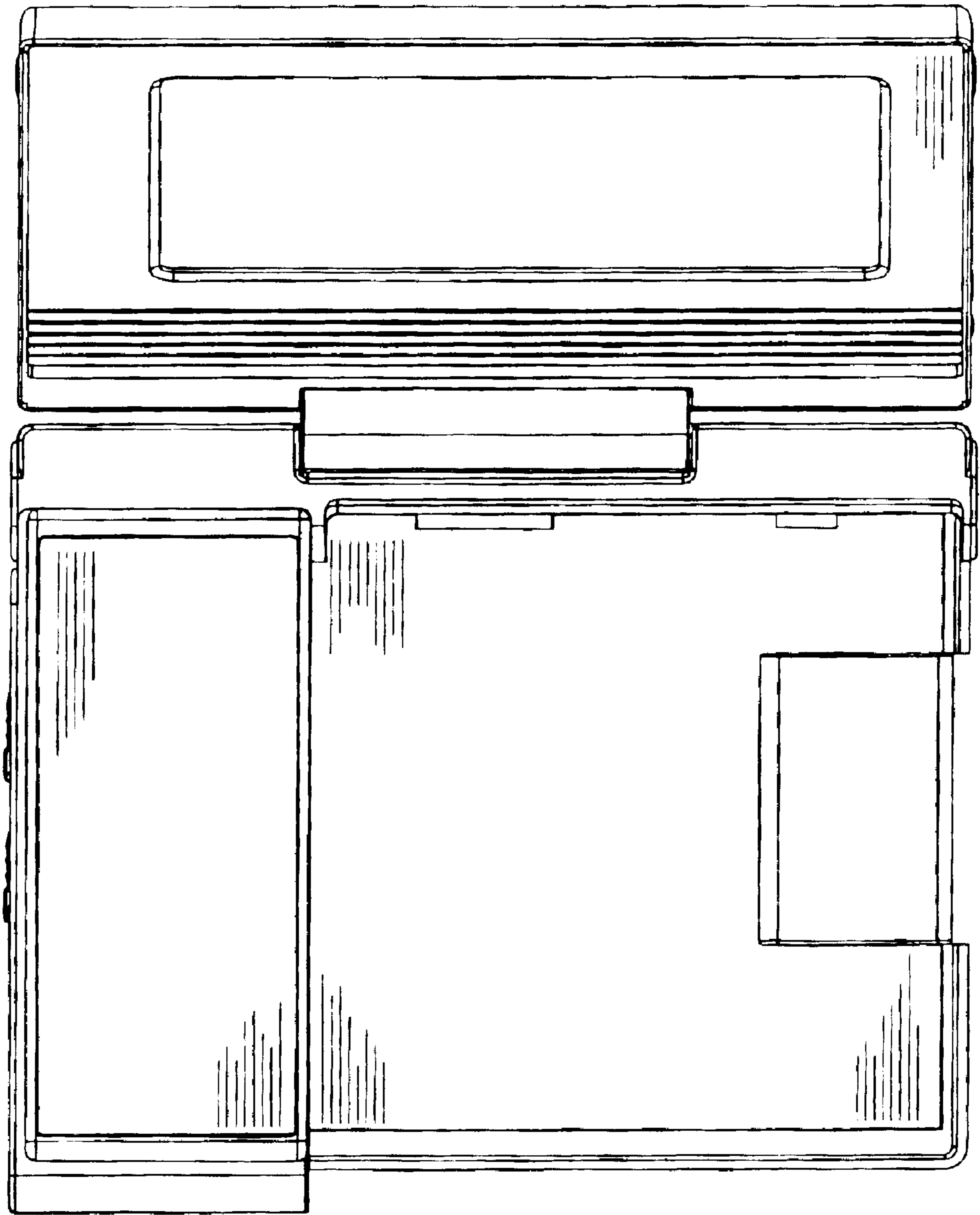


FIG. 5

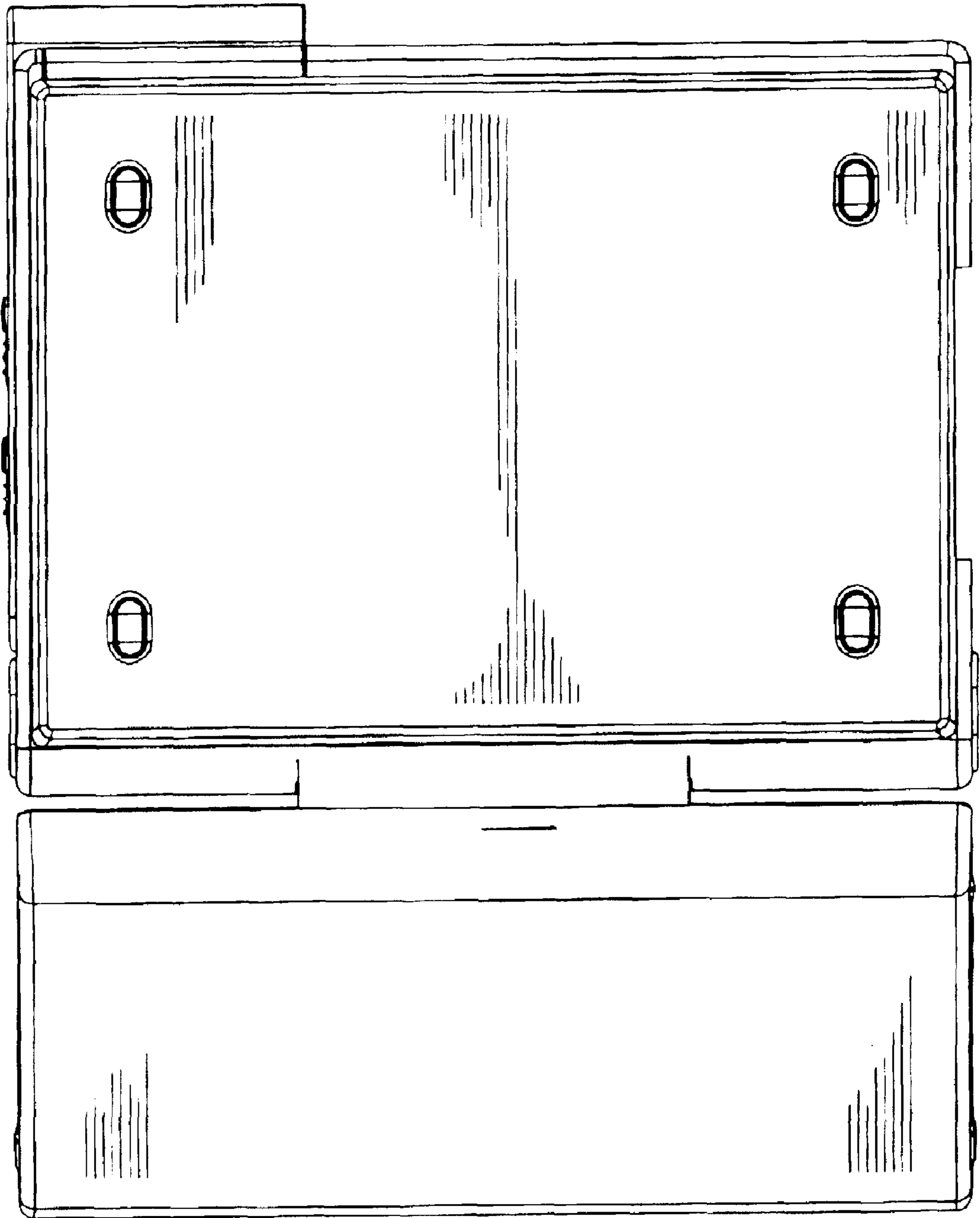


FIG. 6

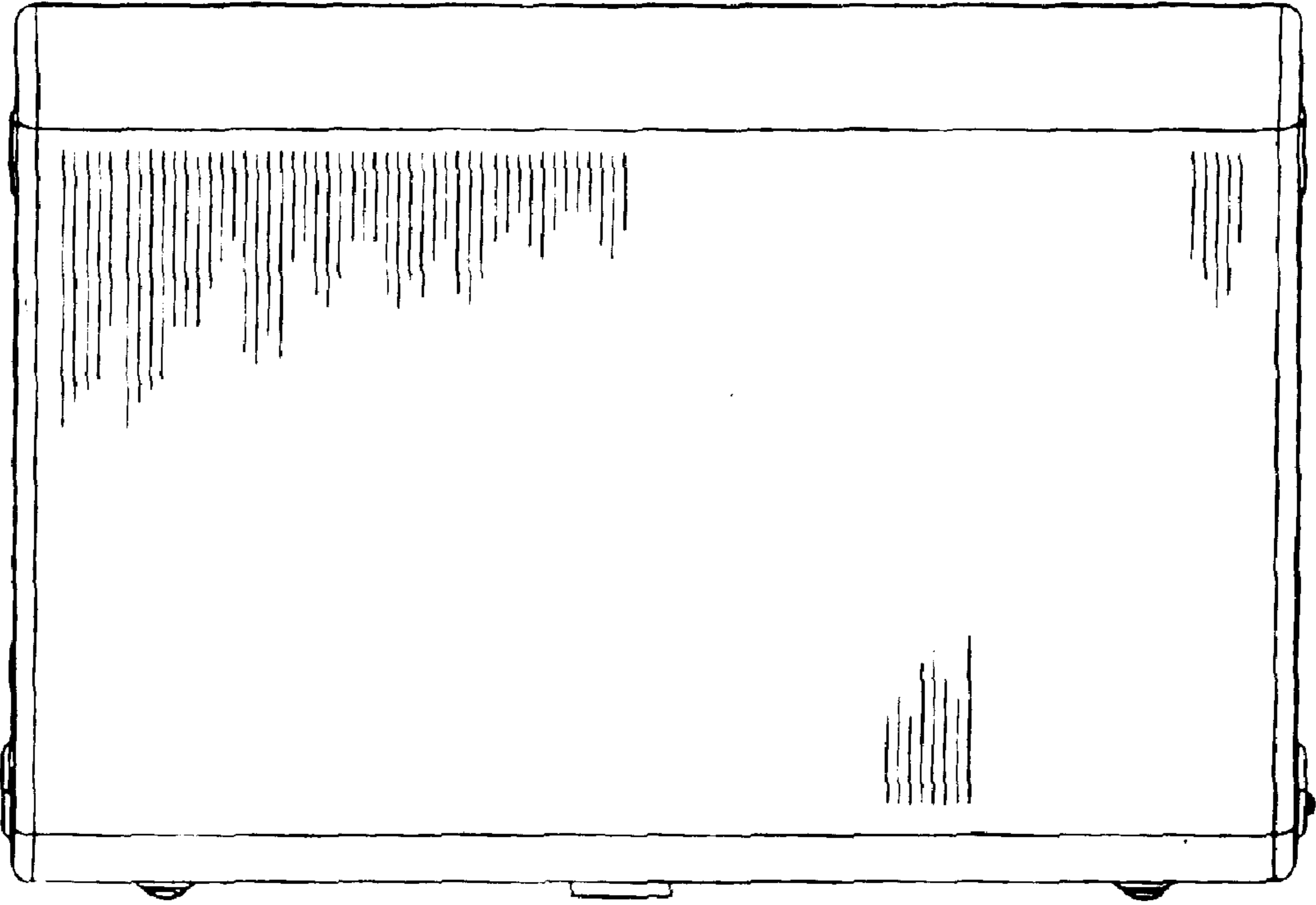


FIG. 7

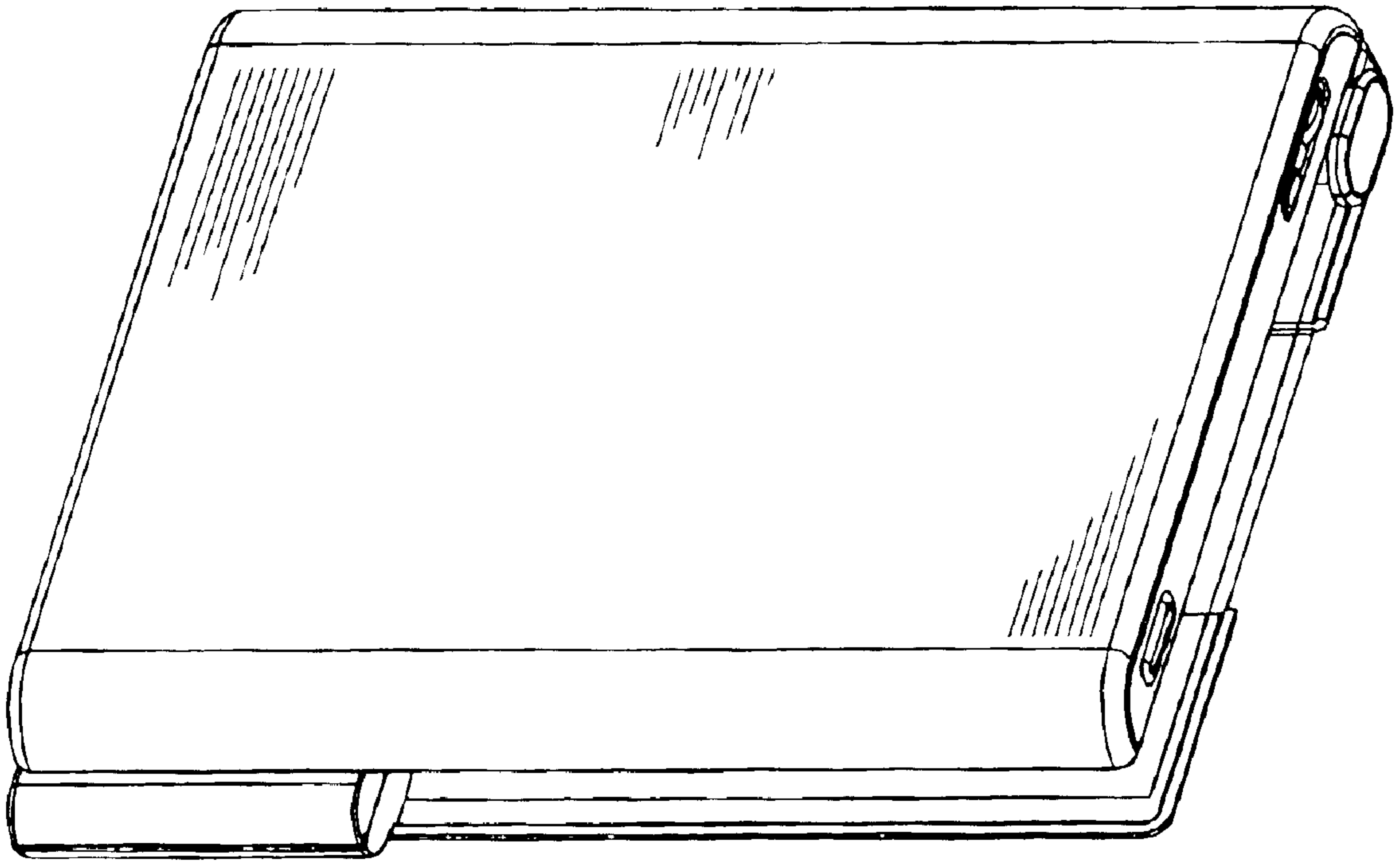


FIG. 8

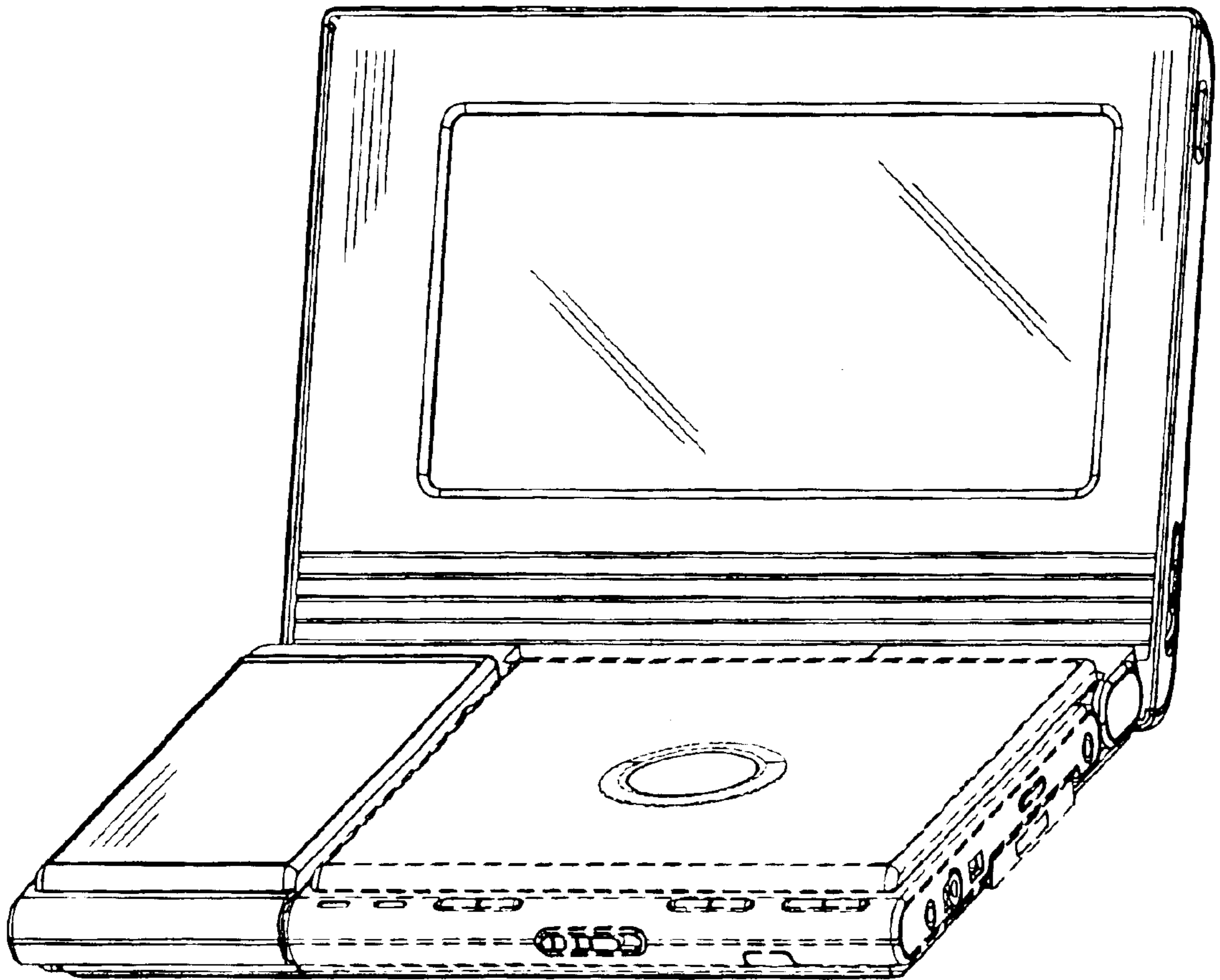


FIG. 9