



US00D490807S

(12) **United States Design Patent**
Murata

(10) **Patent No.:** **US D490,807 S**
(45) **Date of Patent:** **** Jun. 1, 2004**

(54) **PORTABLE INFORMATION TERMINAL UNIT**

(75) Inventor: **Kouichi Murata, Zushi (JP)**

(73) Assignee: **Kabushiki Kaisha Toshia (JP)**

(**) Term: **14 Years**

(21) Appl. No.: **29/178,192**

(22) Filed: **Mar. 24, 2003**

(30) **Foreign Application Priority Data**

Sep. 26, 2002 (JP) 2002-026257

(51) **LOC (7) Cl.** **14-02**

(52) **U.S. Cl.** **D14/345**

(58) **Field of Search** D14/341-345;
D18/1, 2, 7; 235/145 A, 145 R; 341/22,
23; 345/156, 168, 169, 172, 173, 87; 349/12;
361/680-686; D9/59, 60; 434/201

(56) **References Cited**

U.S. PATENT DOCUMENTS

- 4,340,375 A * 7/1982 Sakaue et al. 434/201
- D324,673 S 3/1992 Iino
- D378,686 S * 4/1997 Proctor et al. D19/60
- 5,657,459 A * 8/1997 Yanagisawa et al. 361/681
- D385,299 S * 10/1997 Adams D14/342
- D391,987 S * 3/1998 Jambhekar et al. D14/345

- D396,452 S 7/1998 Naruki
- D402,310 S * 12/1998 Hendricks D14/345
- D410,443 S 6/1999 Matsumoto
- D442,953 S * 5/2001 Lassen D14/345

* cited by examiner

Primary Examiner—Freda Nunn

(74) *Attorney, Agent, or Firm*—Banner & Witcoff, Ltd.

(57) **CLAIM**

The ornamental design for a portable information terminal unit, as shown and described.

DESCRIPTION

FIG. 1 is a front, bottom and right side perspective view of a portable information terminal unit, showing my new design;

FIG. 2 is a perspective view thereof with a cover in a closed position;

FIG. 3 is a top plan view thereof;

FIG. 4 is a right side elevational view thereof;

FIG. 5 is a front elevational view thereof;

FIG. 6 is a bottom plan view thereof;

FIG. 7 is a left side elevational view thereof.

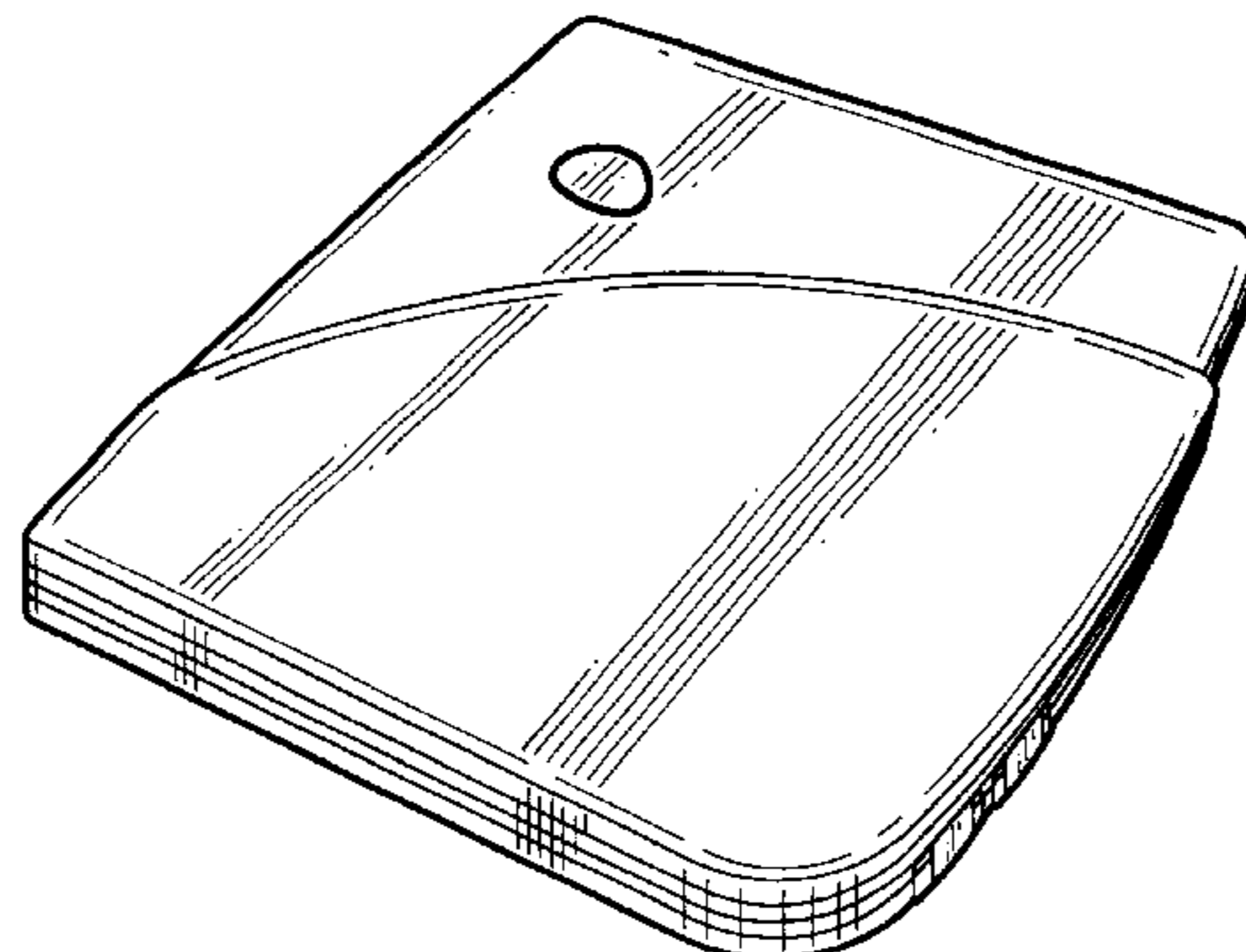
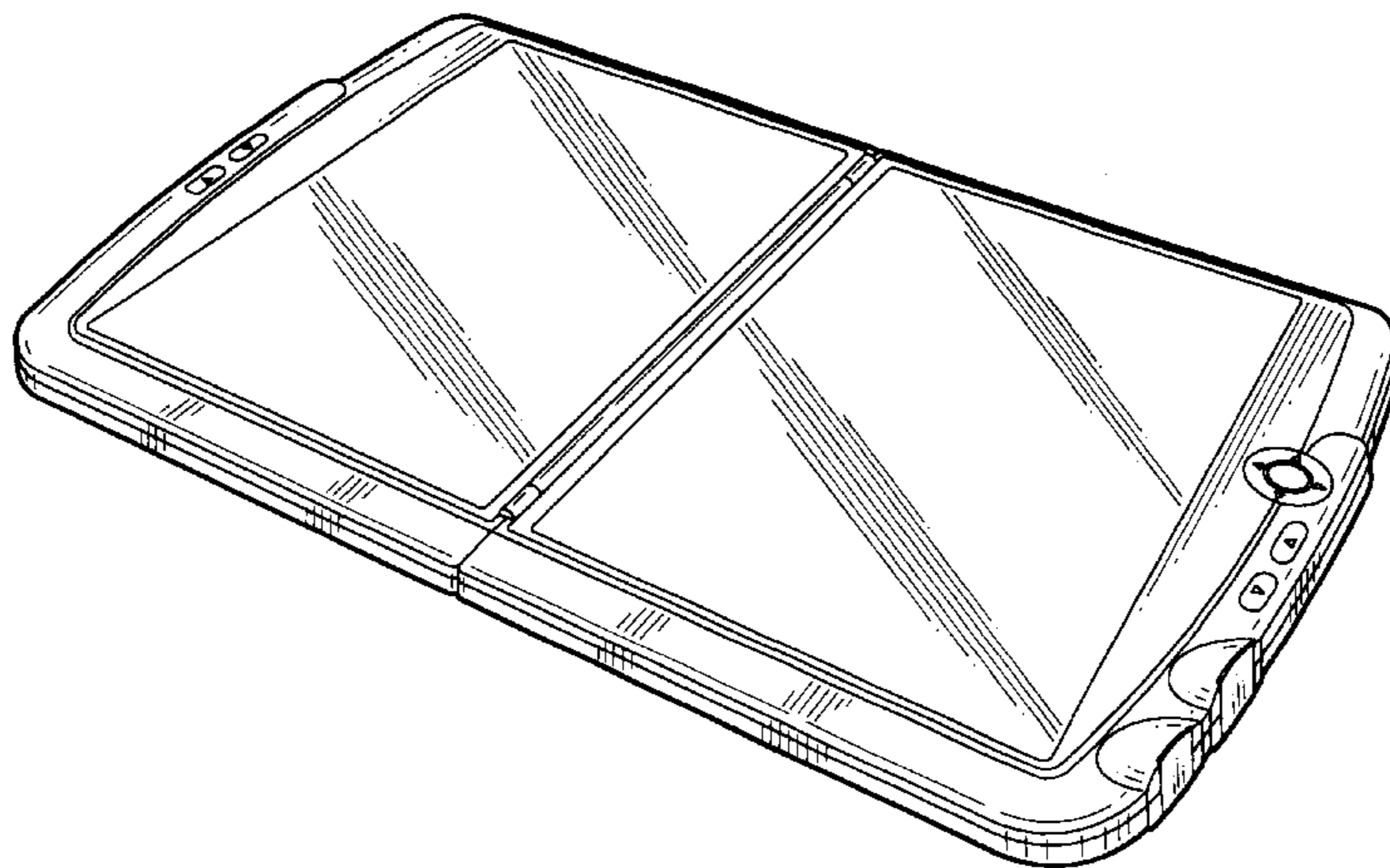
FIG. 8 is a rear elevational view thereof;

FIG. 9 is a front elevational view thereof with the cover in a closed position;

FIG. 10 is a left side elevational view thereof; and,

FIG. 11 is a bottom plan view thereof.

1 Claim, 3 Drawing Sheets



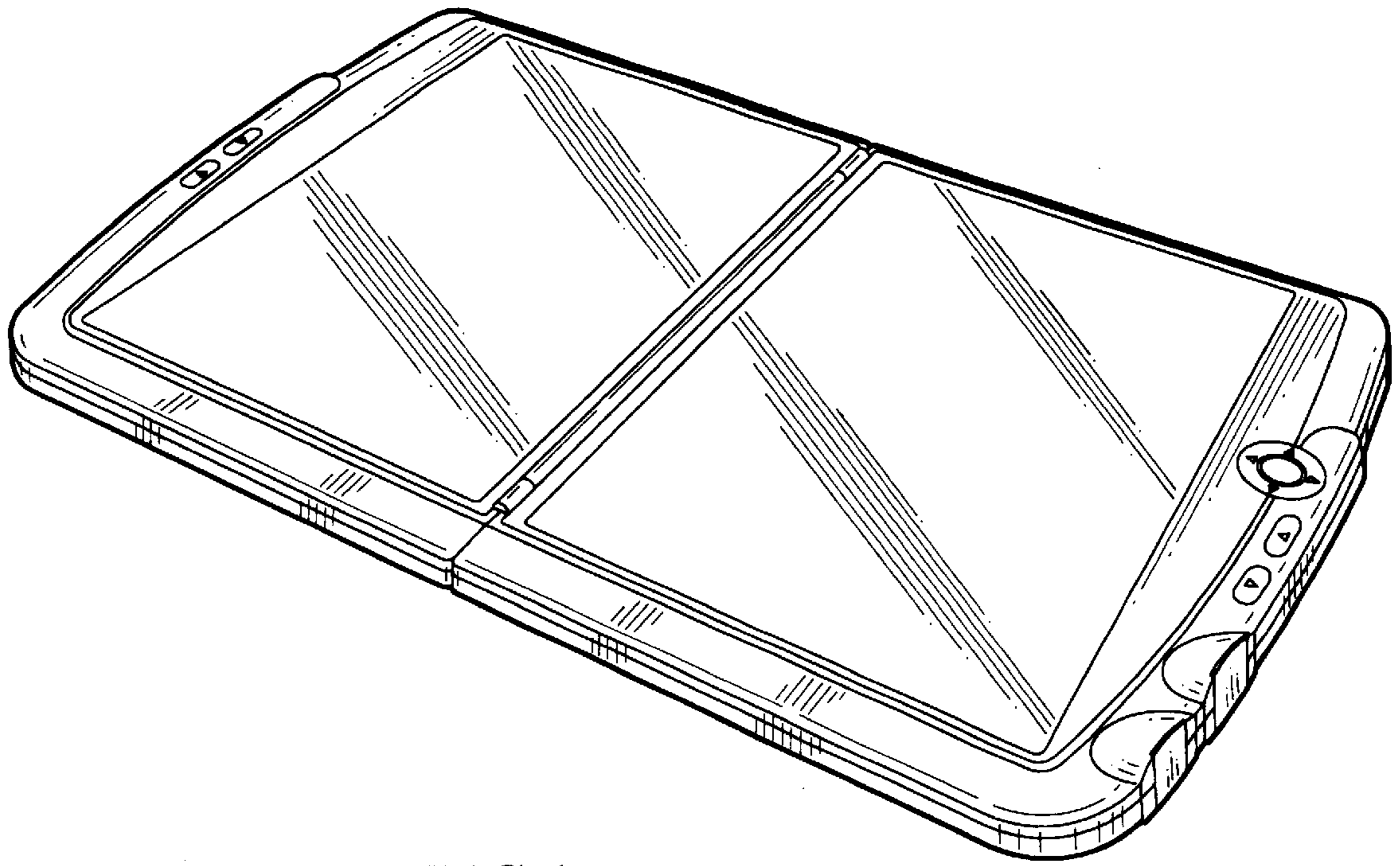


FIG. 1

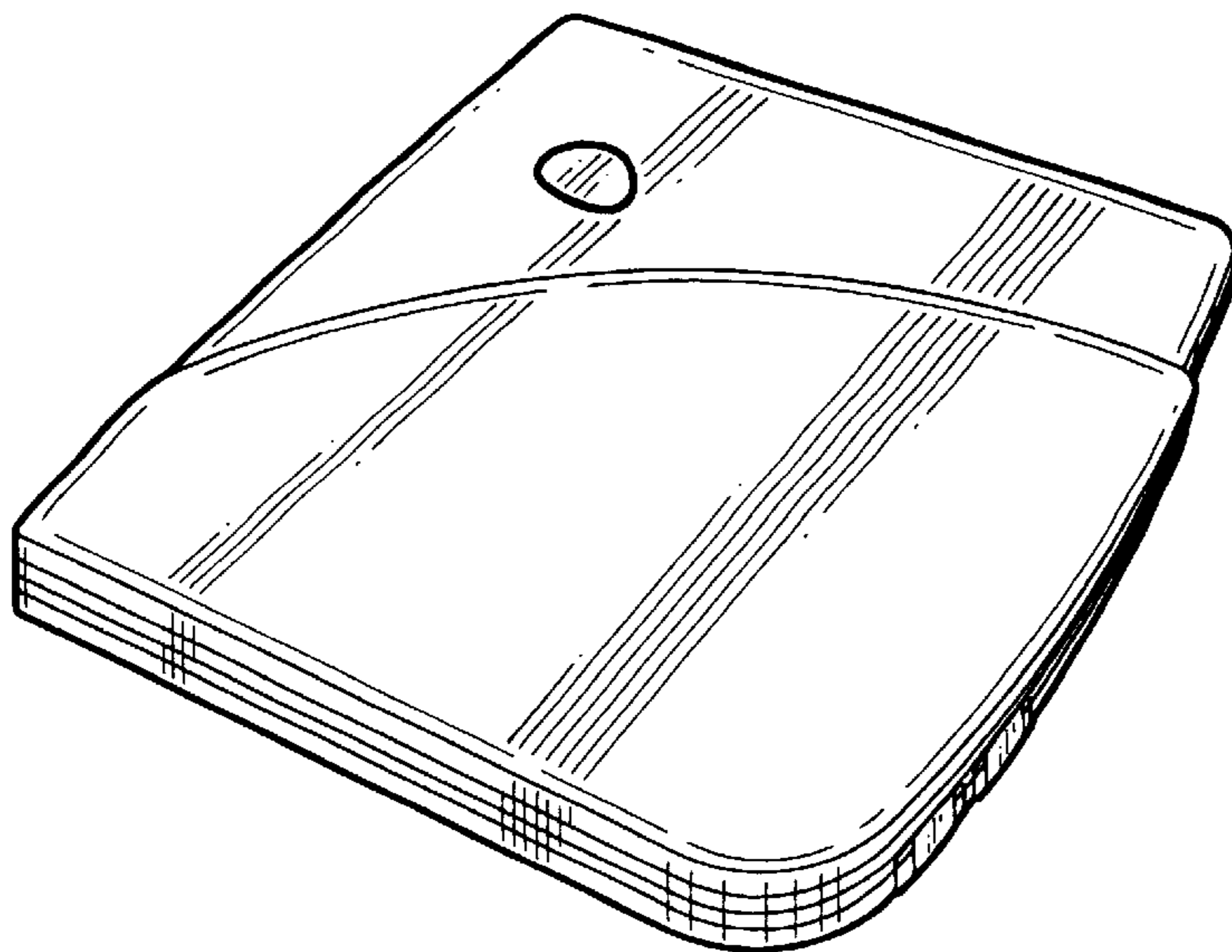


FIG. 2



FIG.3

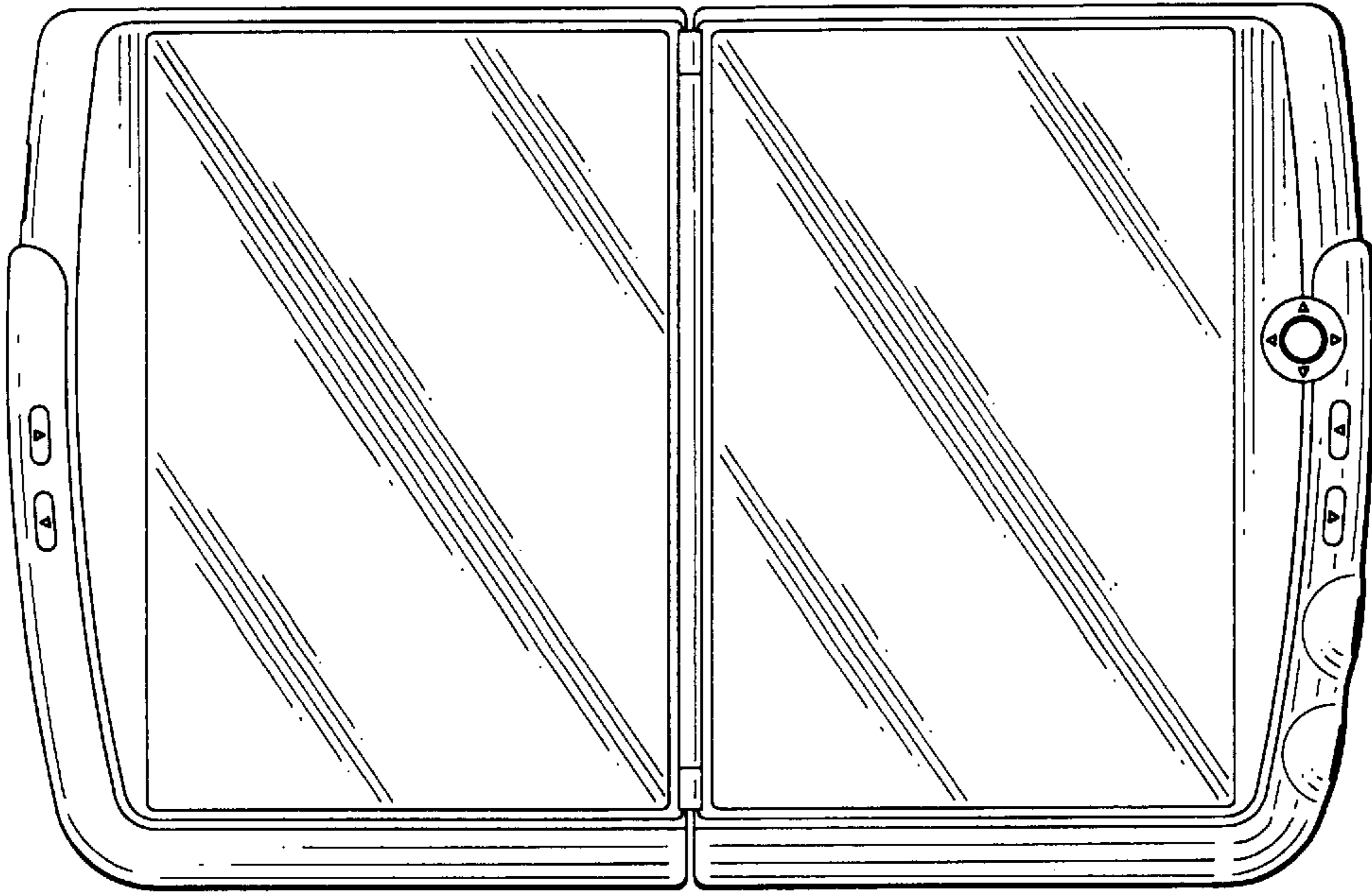


FIG.5



FIG.4



FIG.6

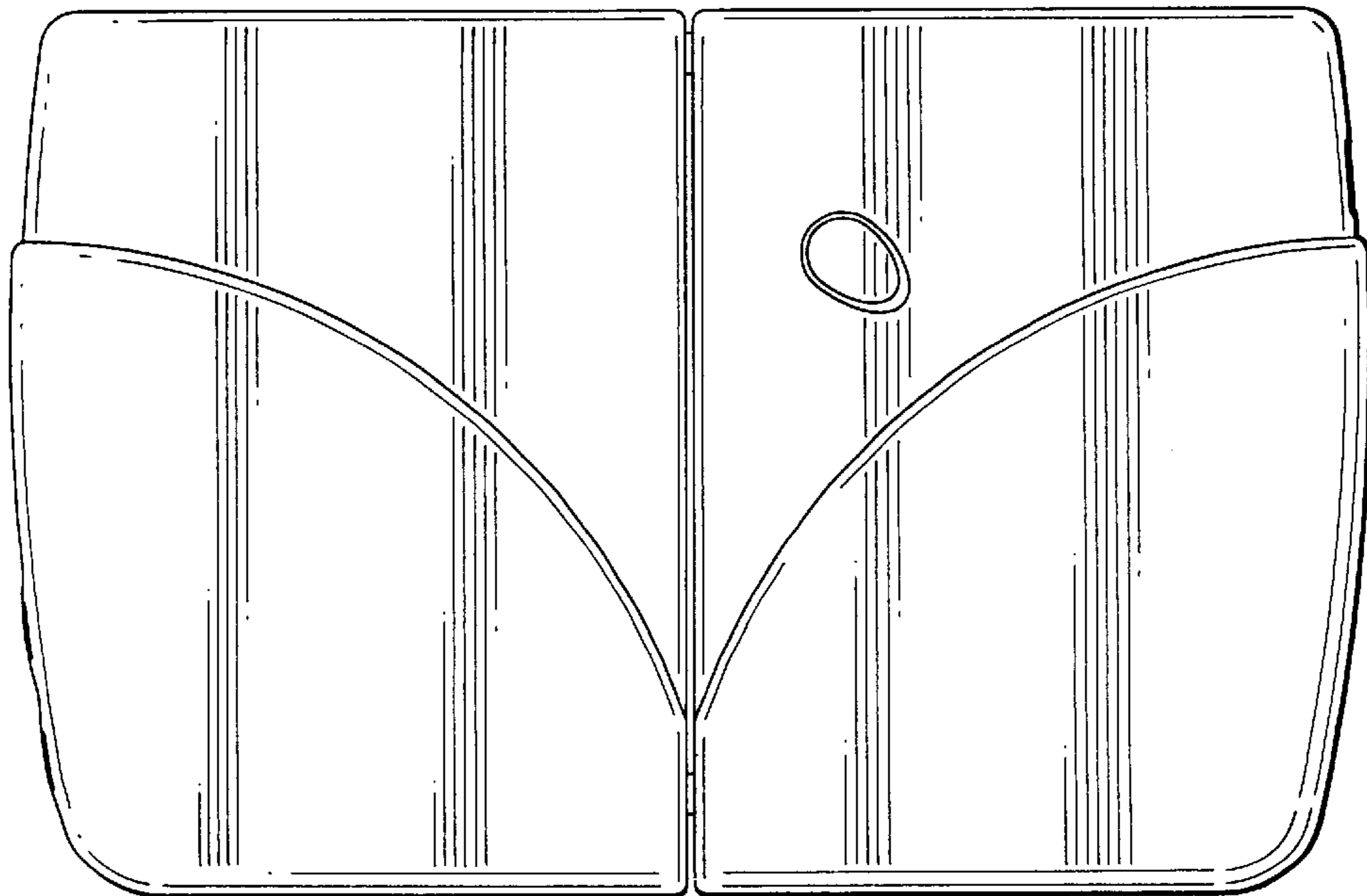


FIG.8



FIG.7



FIG. 10

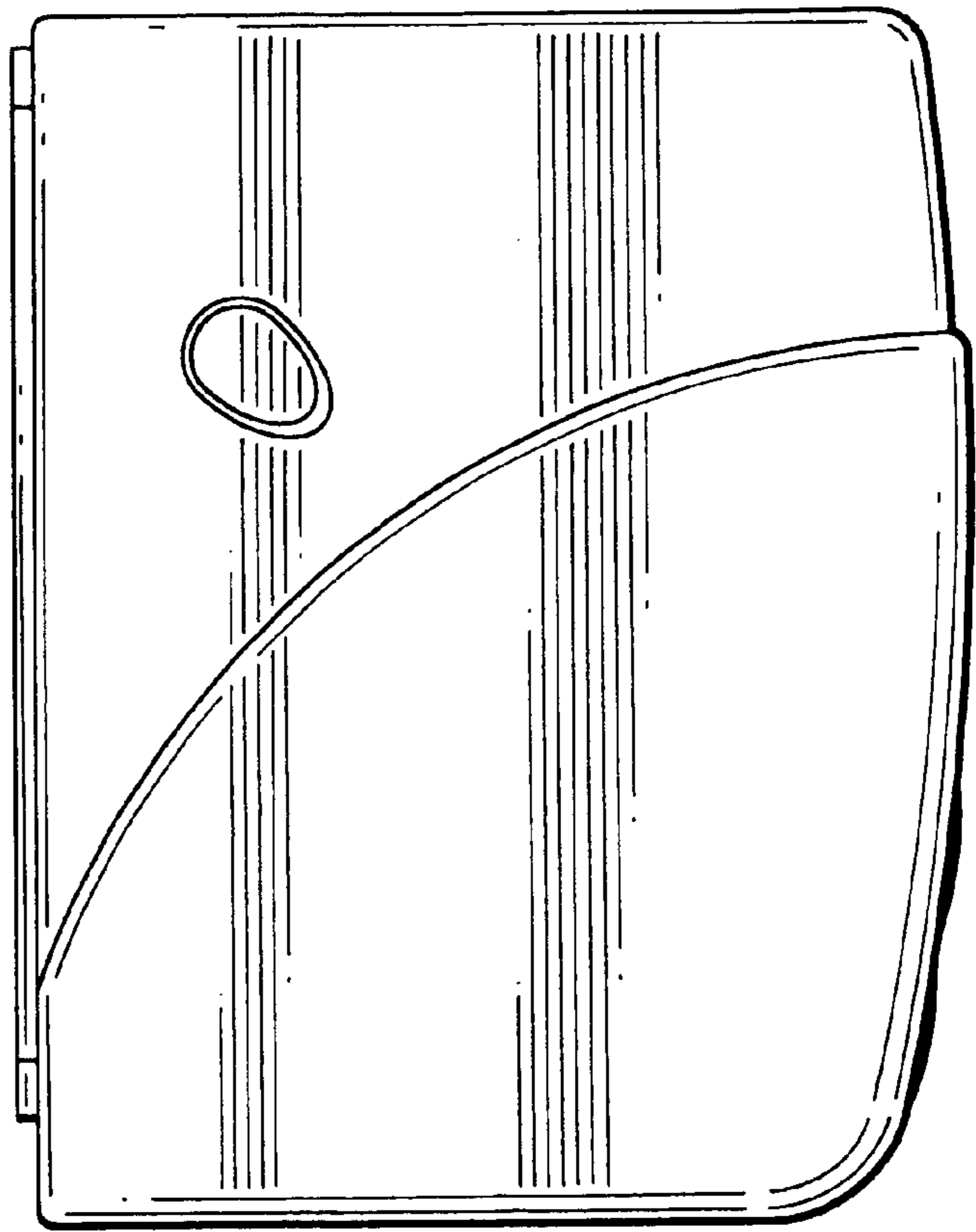


FIG. 9



FIG. 11