



US00D490802S

(12) **United States Design Patent**
Beck et al.

(10) **Patent No.:** **US D490,802 S**

(45) **Date of Patent:** **** Jun. 1, 2004**

(54) **COMMUNICATION INTERFACE**
(75) Inventors: **Benjamin J Beck**, Boston, MA (US);
Douglas A. Marsden, Lynnfield, MA
(US); **Stephen R. Lyman**, Hudson, NH
(US)
(73) Assignee: **GN Netcom, Inc.**, Nashua, NH (US)
(**) Term: **14 Years**

5,697,809 A * 12/1997 Chung 439/501
D413,894 S * 9/1999 Matthews et al. D14/240
D425,909 S * 5/2000 Chen et al. D14/301
D427,594 S * 7/2000 Lai D14/349
D433,381 S * 11/2000 Talesfore D13/123
D438,200 S * 2/2001 Hui D14/301
D442,579 S * 5/2001 Liao et al. D14/301
D447,139 S * 8/2001 Mache et al. D14/351
D449,600 S * 10/2001 Gallahan et al. D14/299
D452,240 S * 12/2001 Huh et al. D14/351
D454,557 S * 3/2002 Do et al. D14/242

(21) Appl. No.: **29/132,064**
(22) Filed: **Nov. 1, 2000**

* cited by examiner

Primary Examiner—Jeffrey Asch

(74) *Attorney, Agent, or Firm*—Altera Law Group LLC

(51) **LOC (7) Cl.** **14-03**
(52) **U.S. Cl.** **D14/240**
(58) **Field of Search** D14/137, 240,
D14/138, 242, 308, 356, 357, 358, 311,
313, 441, 144, 348–355, 370, 341–347,
125, 432, 433, 155, 299, 257, 439, 140,
188, 230, 241, 243, 245; 379/433.01–433.13,
419, 434, 428.01–428.04, 420.01–420.04,
440, 441, 442; 455/550–575, 90; D13/184,
123, 152, 147, 110, 164; 200/296, 293

(57) **CLAIM**

The ornamental design for communication interface, as shown and described.

DESCRIPTION

FIG. 1 is a perspective view with stand of the communication interface.

FIG. 2 is a perspective view without stand thereof.

FIG. 3 is a front view without stand thereof.

FIG. 4 is a side perspective view with stand thereof; and,

FIG. 5 is a side view without stand thereof.

FIGS. 2, 3 and 5 have been shown without the stand for convenience of illustration.

The bottom of the stand for communication interface is without ornamentation.

(56) **References Cited**

U.S. PATENT DOCUMENTS

D339,115 S * 9/1993 Eilertsen D14/107
D363,707 S * 10/1995 Crane, Jr. et al. D14/102
D366,455 S * 1/1996 Cheng D13/147
D369,923 S * 5/1996 Crane, Jr. et al. D6/441
D382,254 S * 8/1997 Crane, Jr. et al. D14/102

1 Claim, 5 Drawing Sheets

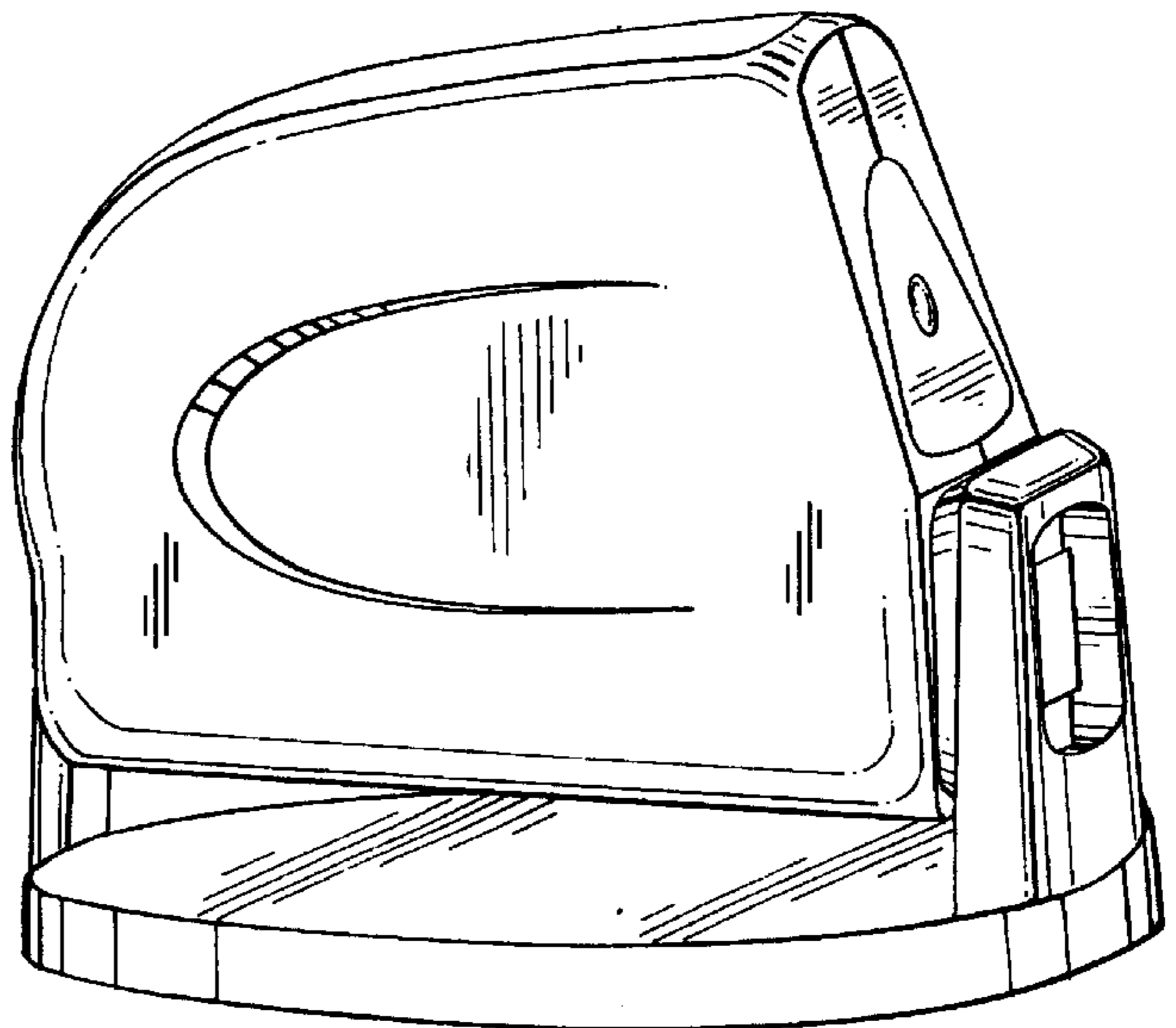
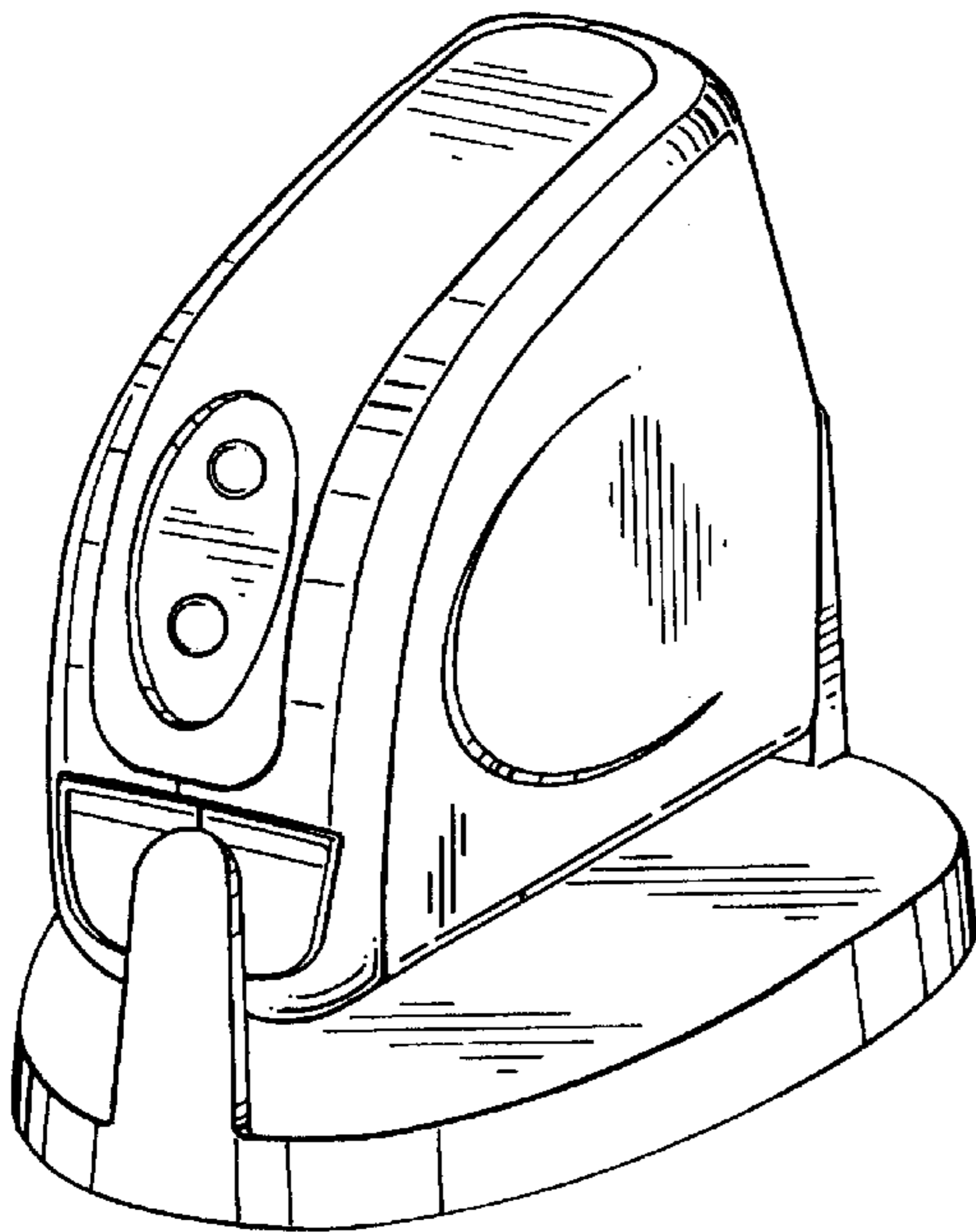


Fig. 1

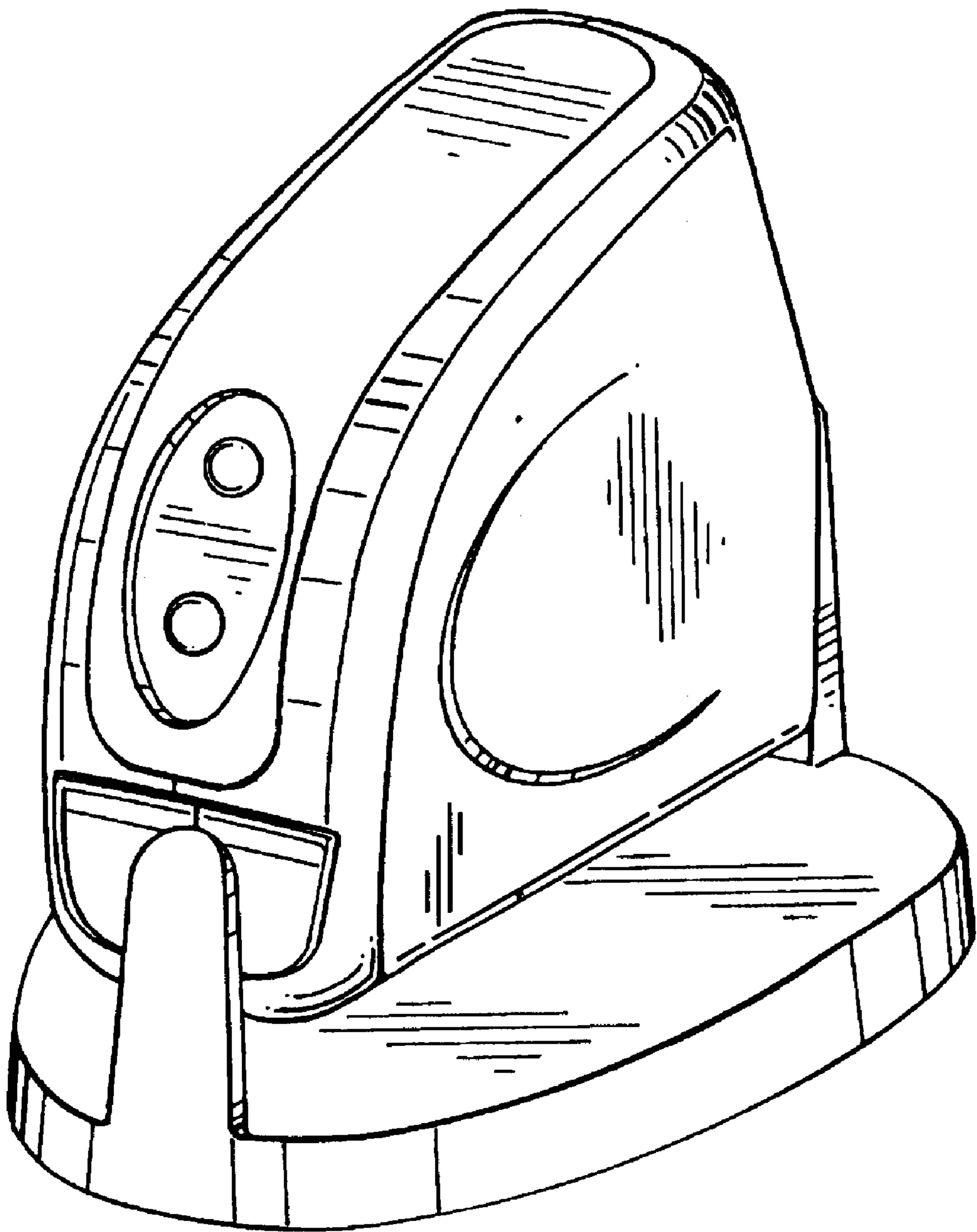


Fig. 2

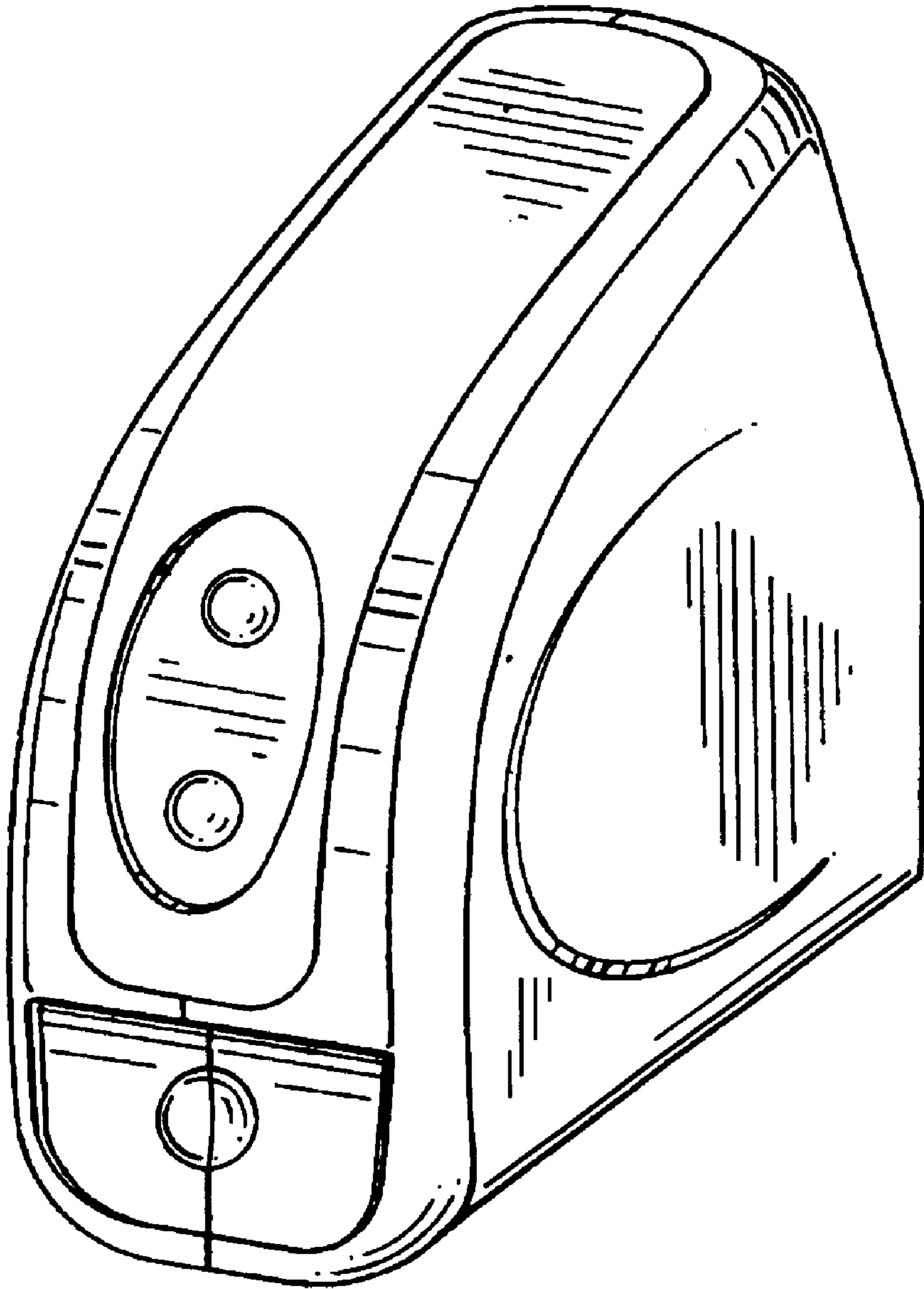


Fig. 3

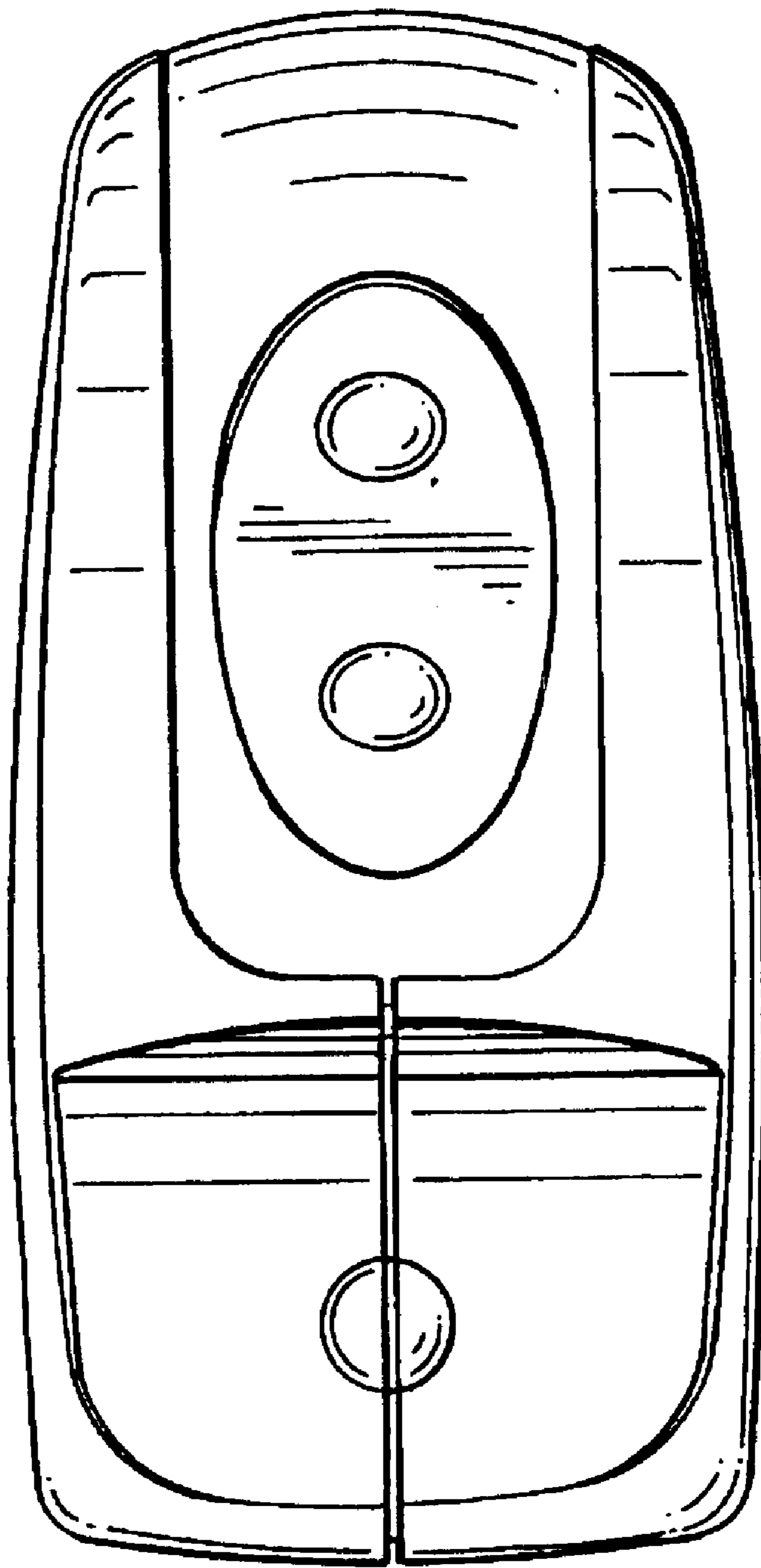


Fig. 4

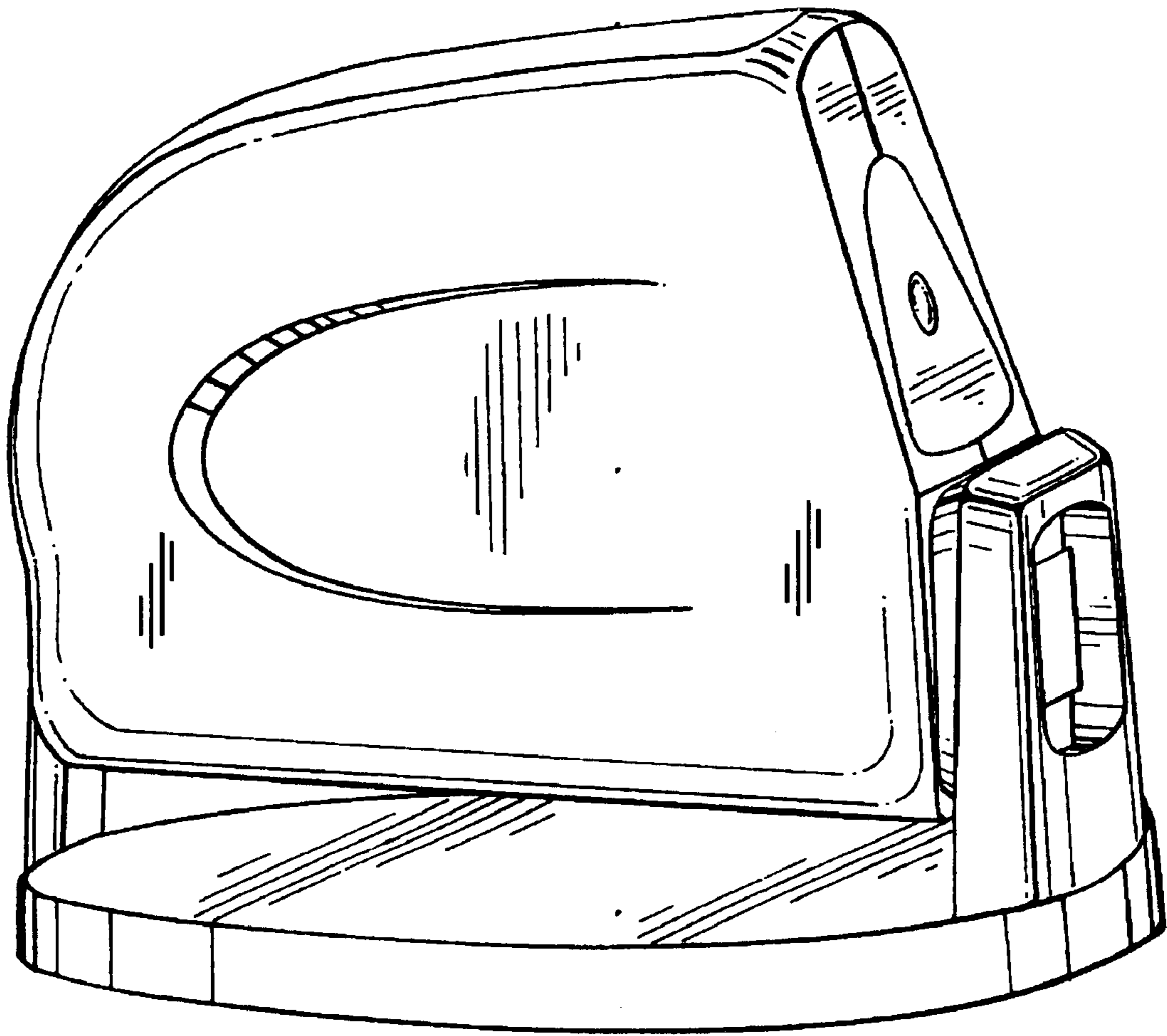


Fig. 5

