



US00D490800S

(12) **United States Design Patent**  
**Kitazawa**

(10) **Patent No.:** **US D490,800 S**

(45) **Date of Patent:** **\*\* Jun. 1, 2004**

(54) **AUDIO MIXER**

(75) Inventor: **Atsushi Kitazawa**, Shizuoka (JP)

(73) Assignee: **Yamaha Corporation**, Shizuoka (JP)

(\*\*) Term: **14 Years**

(21) Appl. No.: **29/183,175**

(22) Filed: **Jun. 9, 2003**

(30) **Foreign Application Priority Data**

Dec. 10, 2002 (JP) ..... 2002-034225

(51) **LOC (7) Cl.** ..... **14-99**

(52) **U.S. Cl.** ..... **D14/217**

(58) **Field of Search** ..... D14/162, 217,  
D14/239, 496; 84/625, 660, 697; 381/118,  
119

(56) **References Cited**

**U.S. PATENT DOCUMENTS**

D325,204 S \* 4/1992 Ito et al. .... D14/162

D367,052 S \* 2/1996 Ito et al. .... D14/217  
D424,056 S \* 5/2000 Ito et al. .... D14/162  
D426,231 S \* 6/2000 Mackie ..... D14/217  
D453,327 S \* 2/2002 Takita et al. .... D14/217

\* cited by examiner

*Primary Examiner*—Nanda Bondade

(74) *Attorney, Agent, or Firm*—Sughrue Mion, PLLC

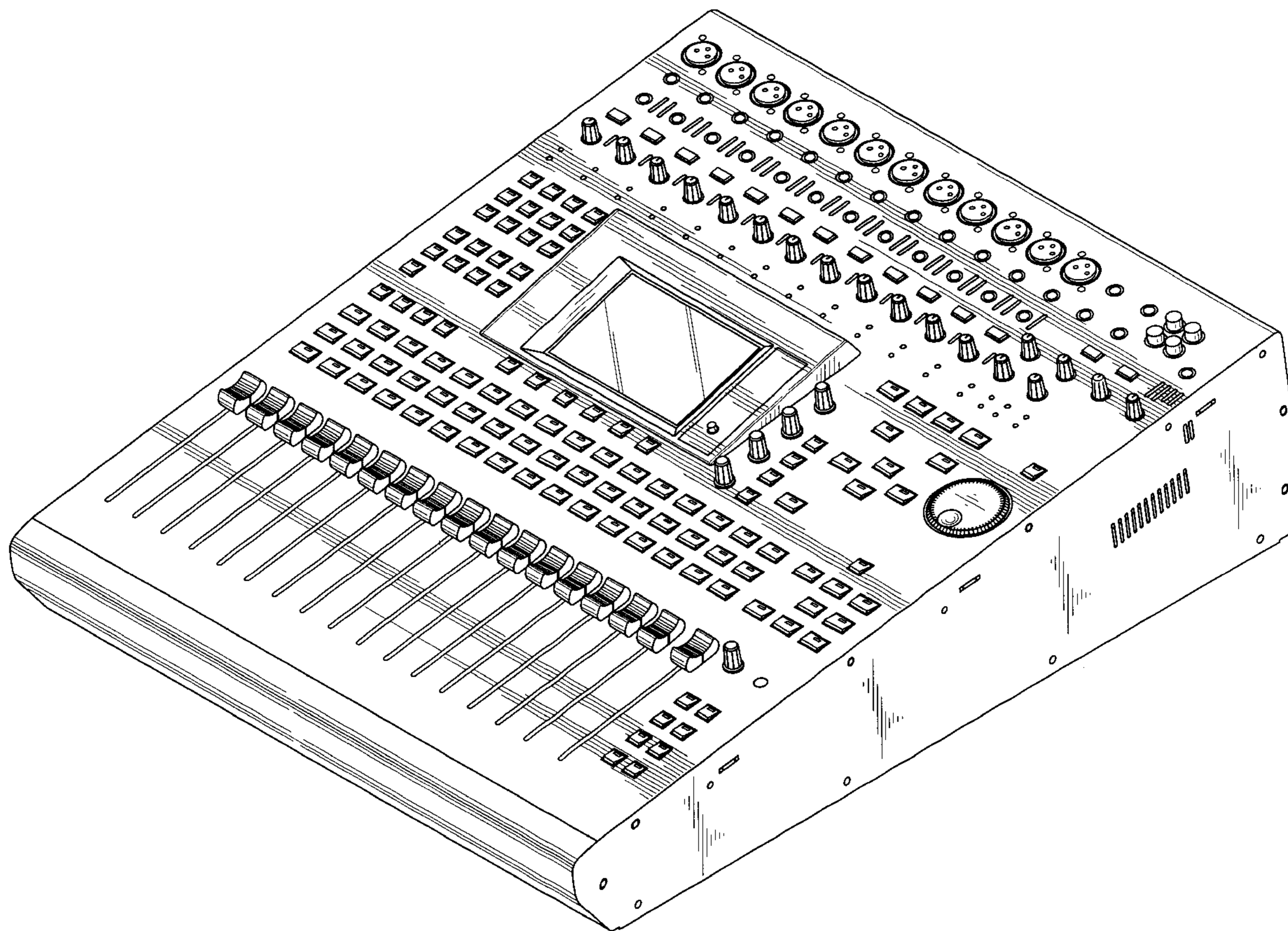
(57) **CLAIM**

The ornamental design for an audio mixer, as shown.

**DESCRIPTION**

FIG. 1 is a perspective view of the top, front and right side of an audio mixer showing my new design;  
FIG. 2 is a front elevational view thereof;  
FIG. 3 is a rear elevational view thereof;  
FIG. 4 is a right side elevational view thereof;  
FIG. 5 is a left side elevational view thereof;  
FIG. 6 is a top plan view thereof; and,  
FIG. 7 is a bottom plan view thereof.

**1 Claim, 5 Drawing Sheets**



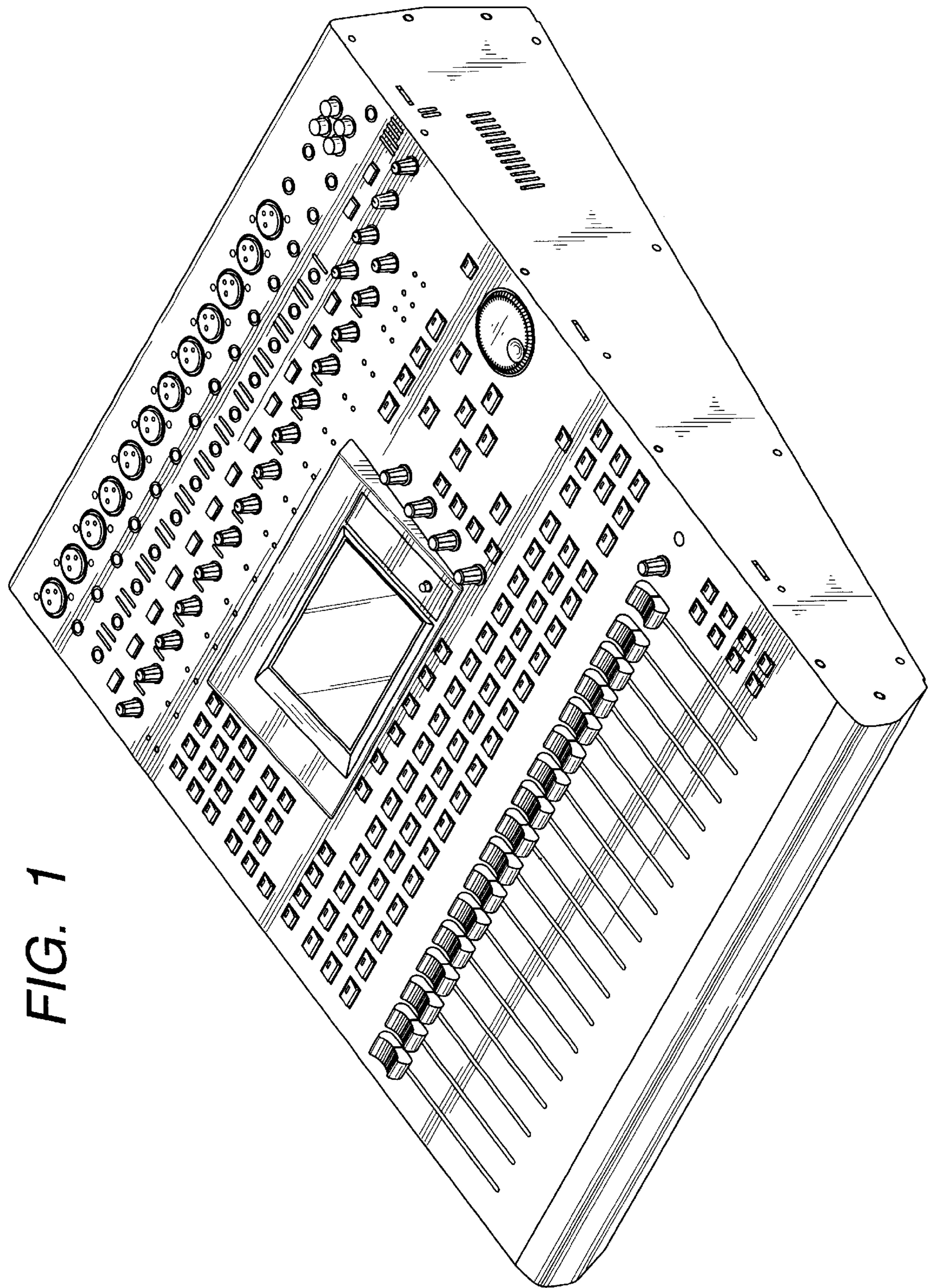
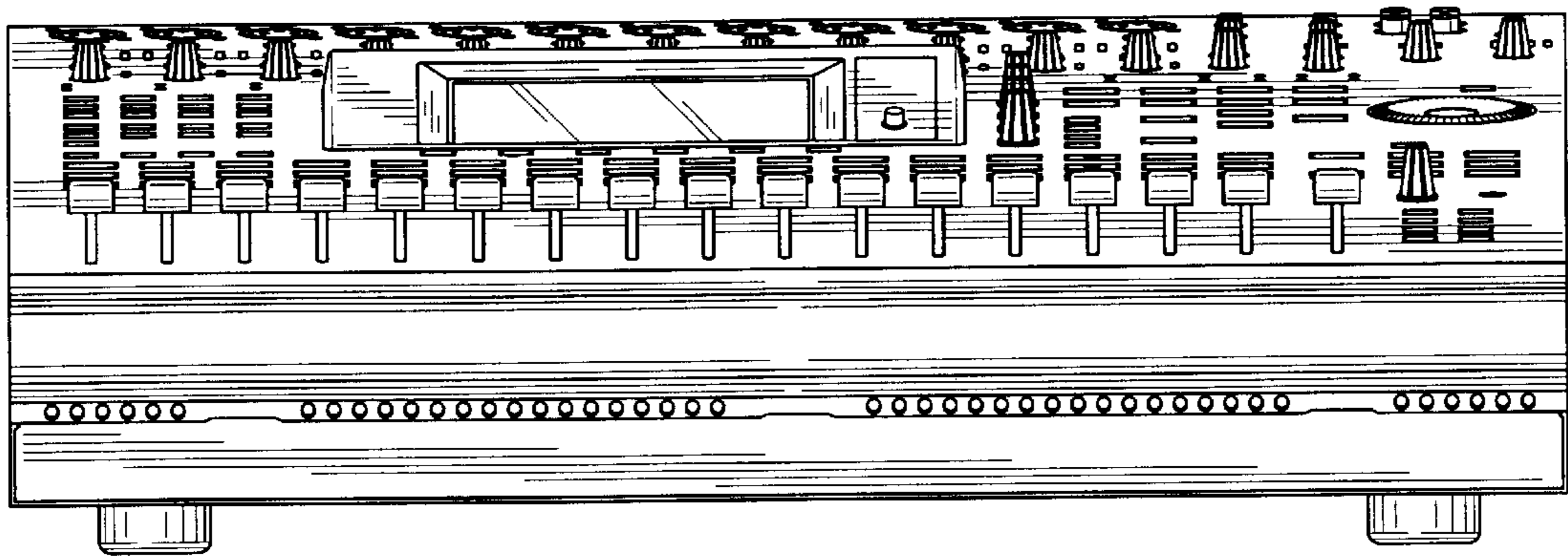


FIG. 1

*FIG. 2*



*FIG. 3*

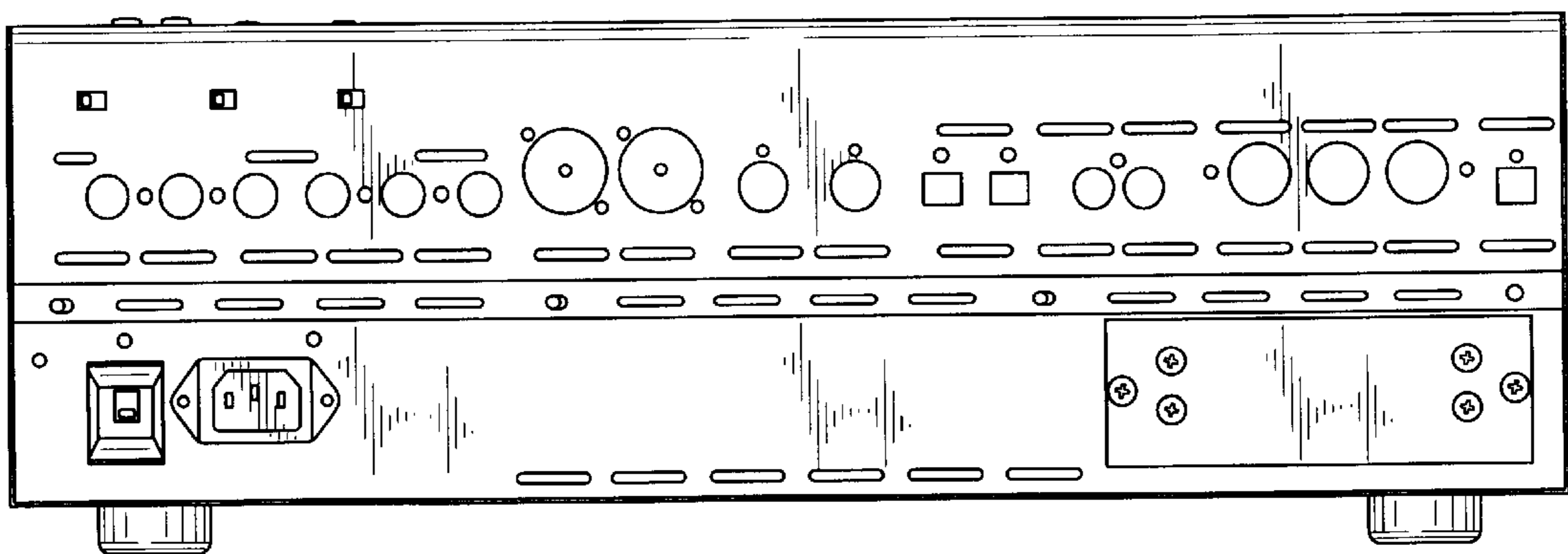


FIG. 4

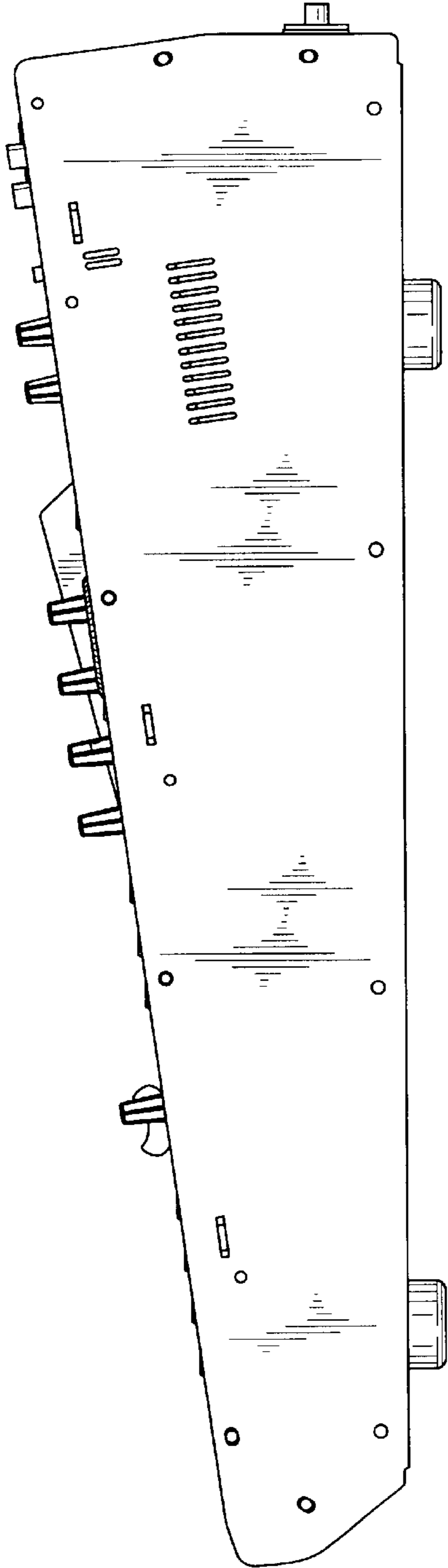


FIG. 5

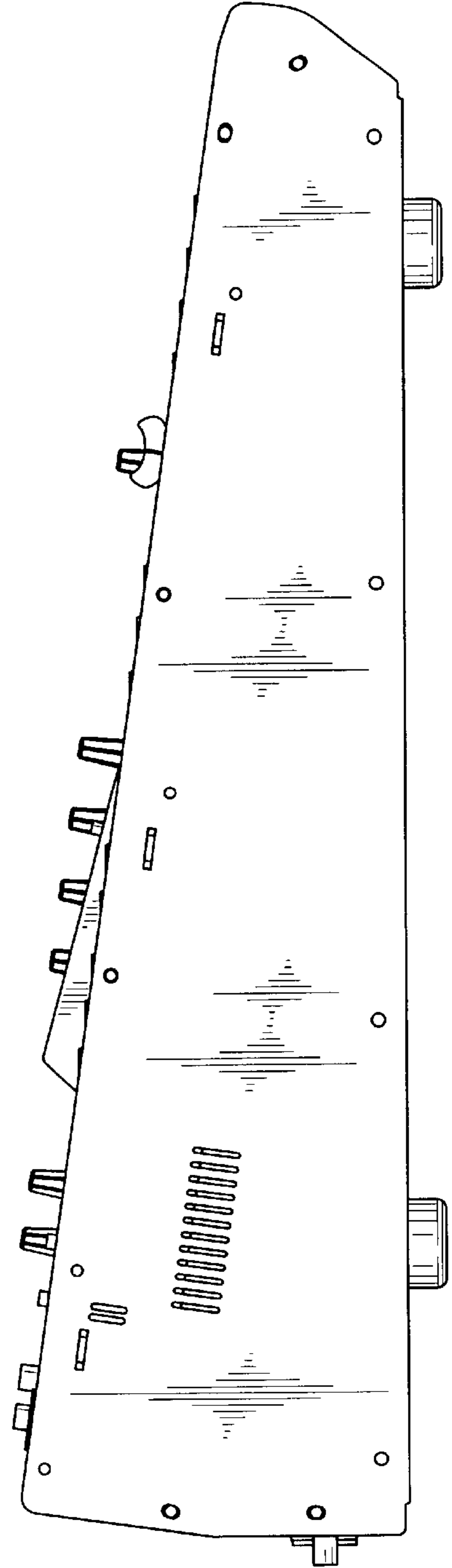
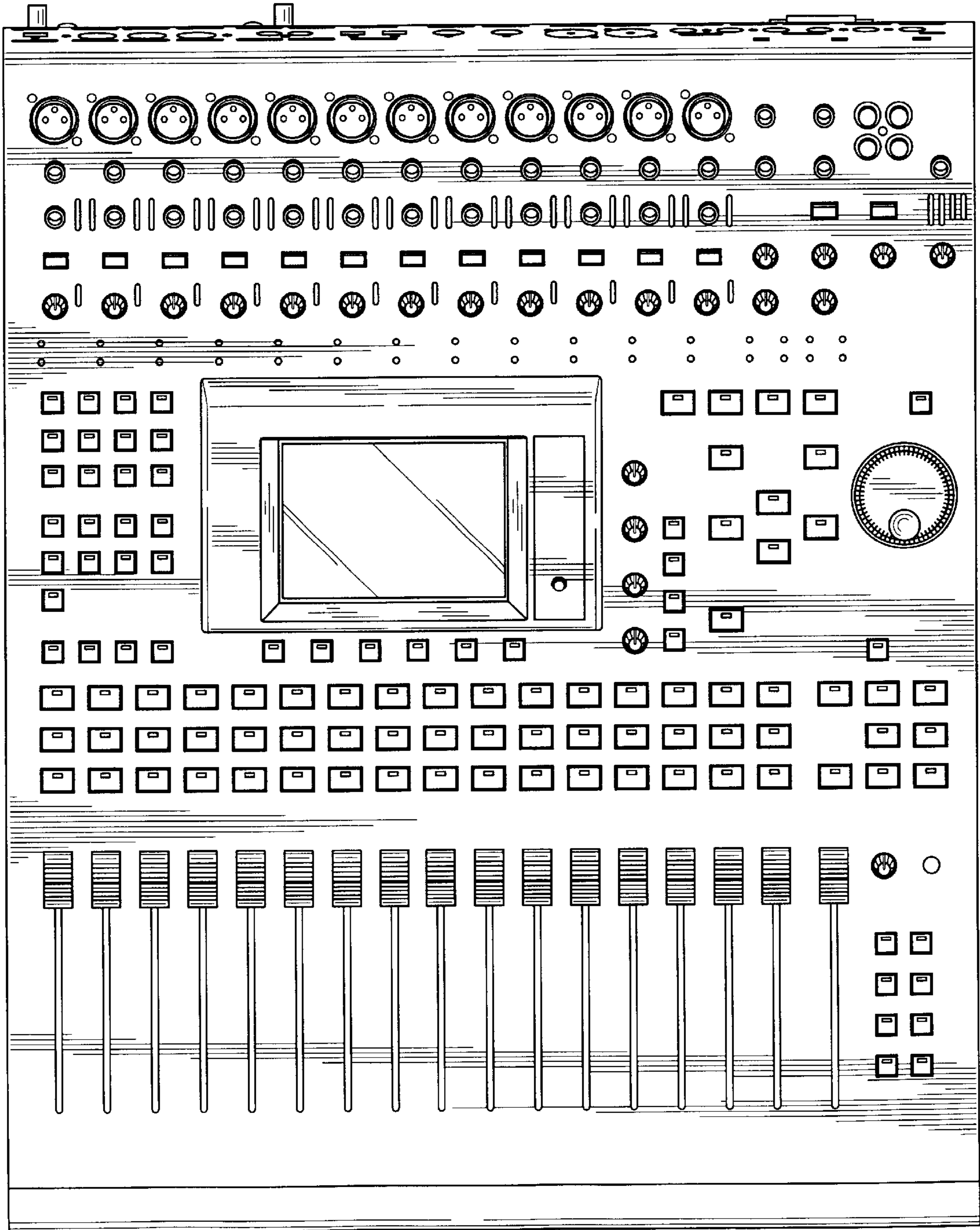


FIG. 6



*FIG. 7*

