



US00D490797S

(12) **United States Design Patent**
Suzuki

(10) **Patent No.:** **US D490,797 S**

(45) **Date of Patent:** **** Jun. 1, 2004**

(54) **COMBINED RADIO RECEIVER AND CLOCK**

OTHER PUBLICATIONS

(75) **Inventor:** **Satoshi Suzuki**, Tokyo (JP)

Web Page "Sony consumer electronic guide,"
ICF-C113V—More Specifications, http://www.se.sony.com/SEL/consumer/ss5/home/radiowalkmanrtm/clockradio/icf-c113v_specs.shtml, 2 sheets, SONY (Mar. 2002).

(73) **Assignee:** **Sony Corporation**, Tokyo (JP)

* cited by examiner

(**) **Term:** **14 Years**

Primary Examiner—Nanda Bondade
(74) *Attorney, Agent, or Firm*—Rader, Fishman & Grauer PLLC

(21) **Appl. No.:** **29/163,812**

(22) **Filed:** **Jul. 15, 2002**

(57) **CLAIM**

(51) **LOC (7) Cl.** **14-01**

The ornamental design for a combined radio receiver and clock, as shown.

(52) **U.S. Cl.** **D14/171**

(58) **Field of Search** D10/1-2, 15; D14/168,
D14/170-171, 188, 193-198; 312/7.1; 455/90,
100, 128, 344, 347, 350-351

DESCRIPTION

(56) **References Cited**

U.S. PATENT DOCUMENTS

D312,084 S	*	11/1990	Lee	D14/164
D416,557 S		11/1999	Matsuoka		
D434,749 S	*	12/2000	Ito et al.	D14/188
D436,944 S		1/2001	Narita		
D439,227 S	*	3/2001	Okada et al.	D14/136

FIG. 1 is a perspective view of a combined radio receiver and clock showing my new design;
FIG. 2 is a front elevational view thereof;
FIG. 3 is a rear elevational view thereof;
FIG. 4 is a left side elevational view thereof;
FIG. 5 is a right side elevational view thereof;
FIG. 6 is a top plan view thereof; and,
FIG. 7 is a bottom plan view thereof.

1 Claim, 4 Drawing Sheets

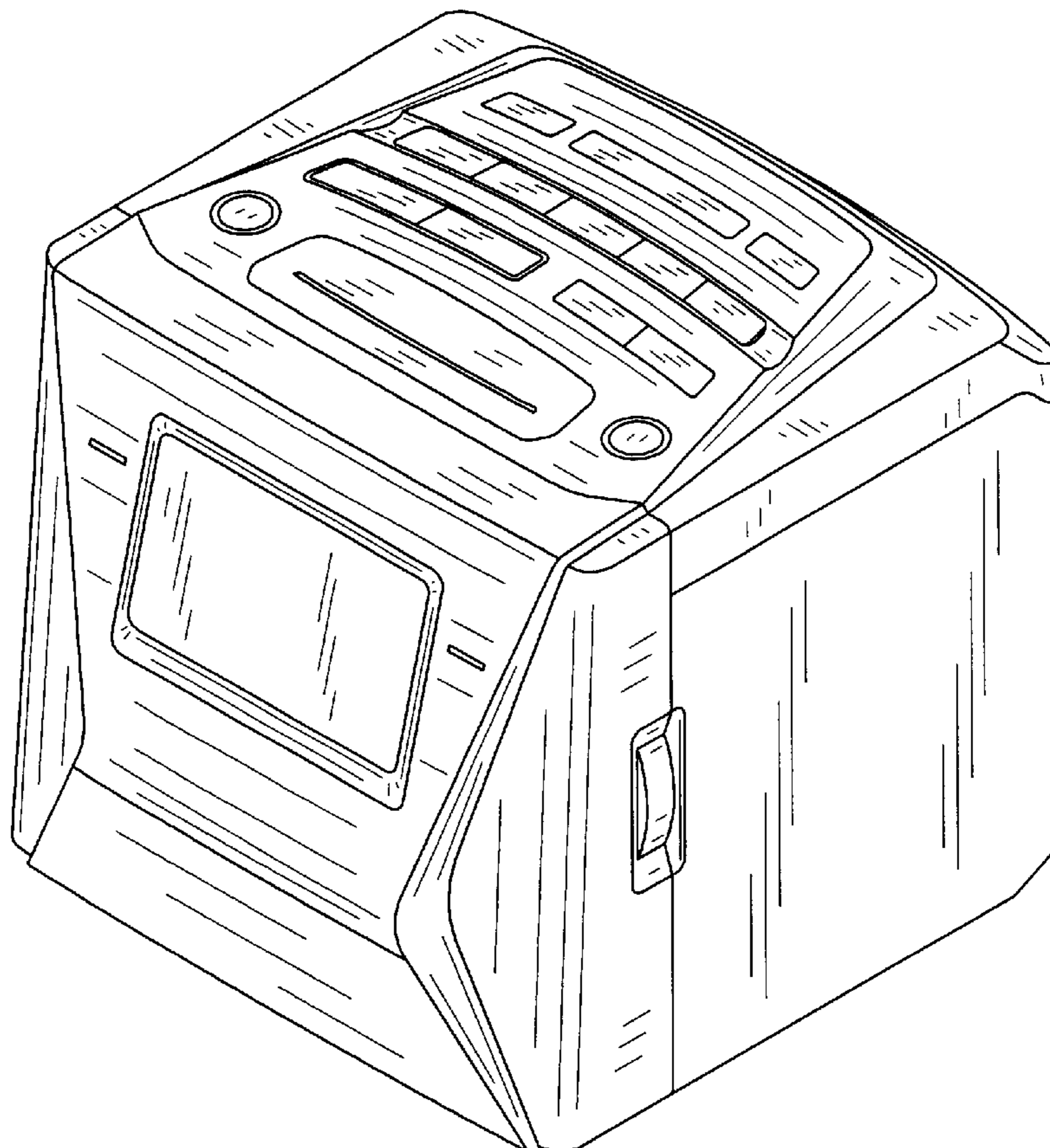


FIG. 1

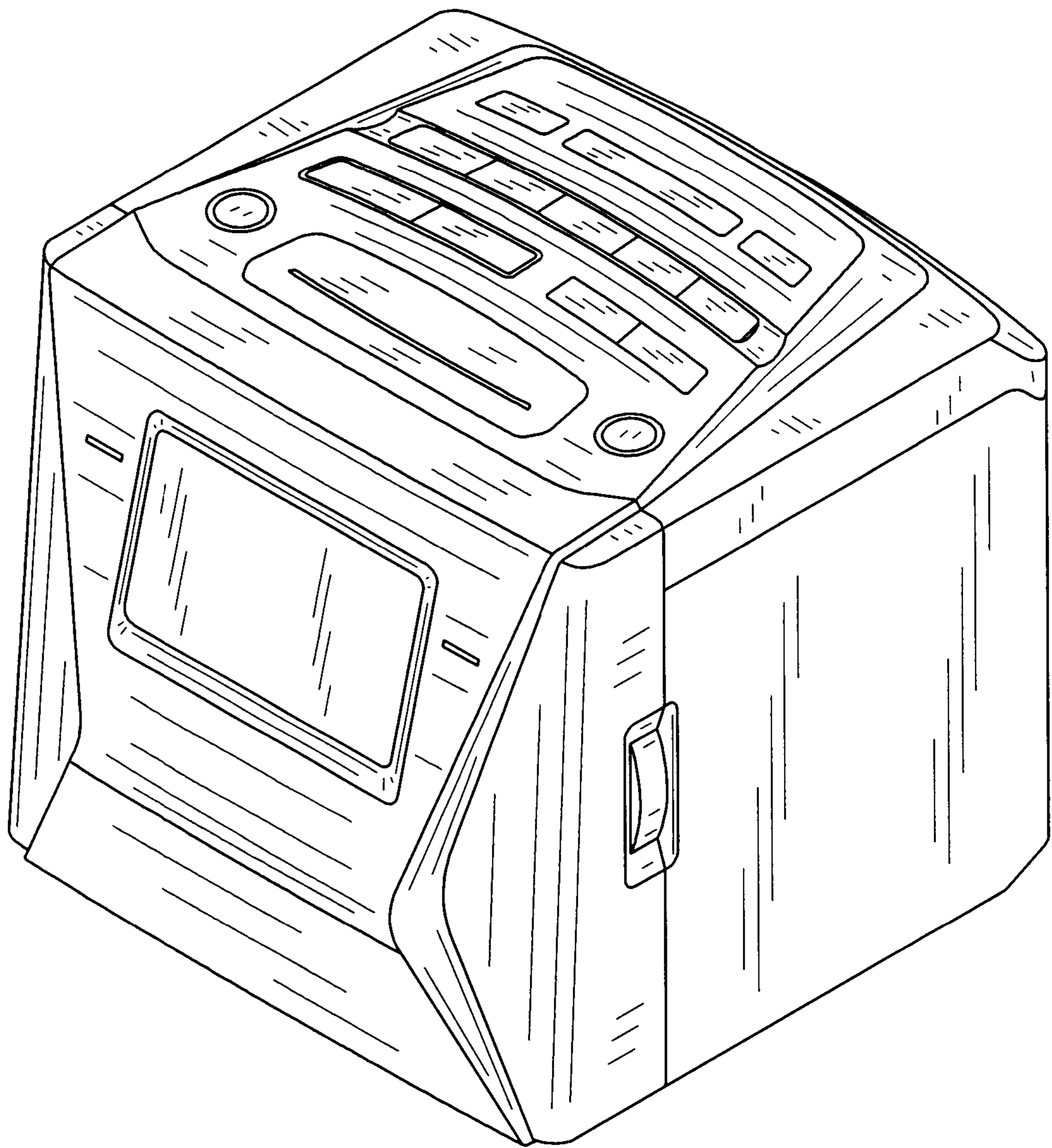


FIG. 2

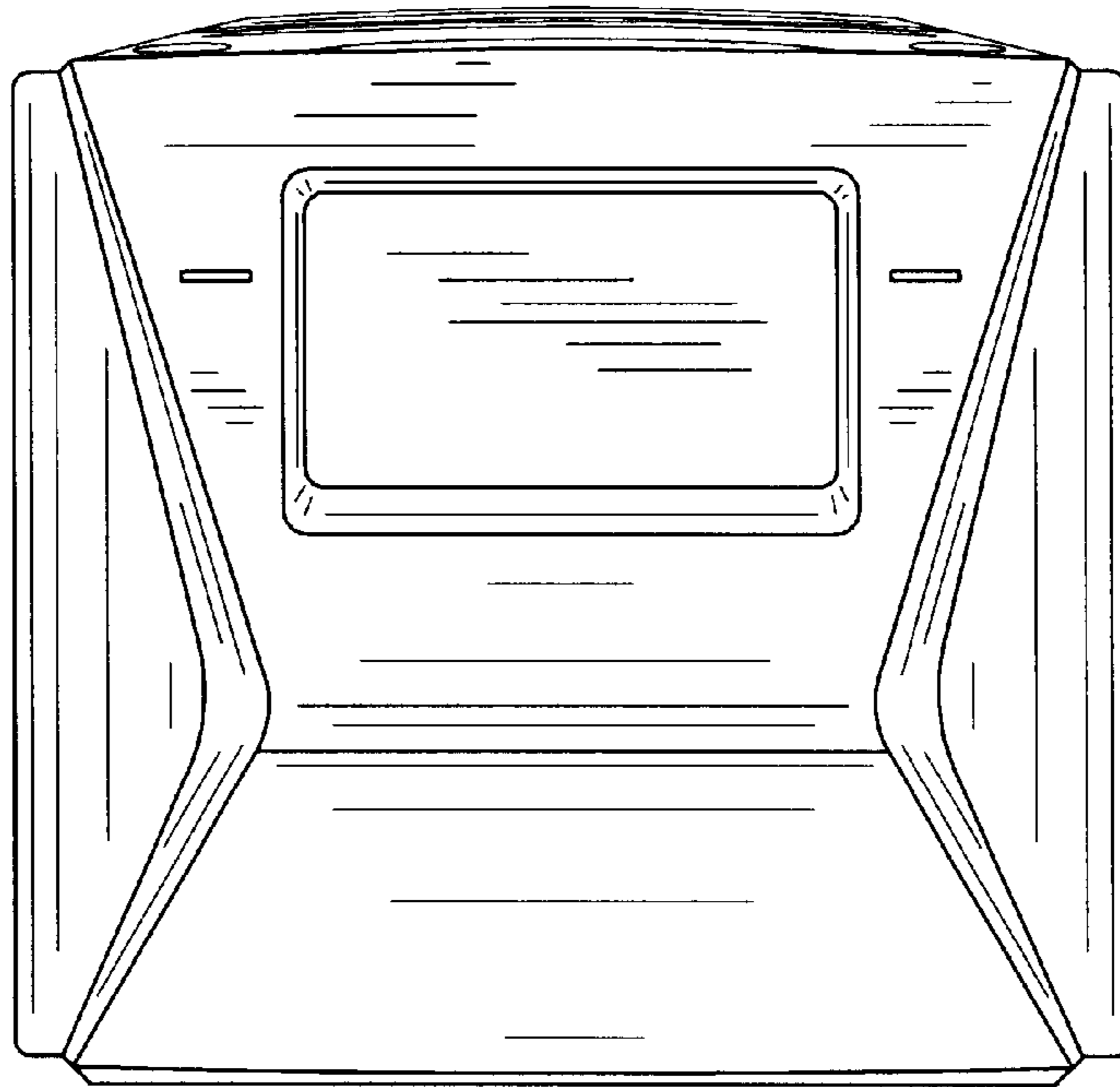


FIG. 3

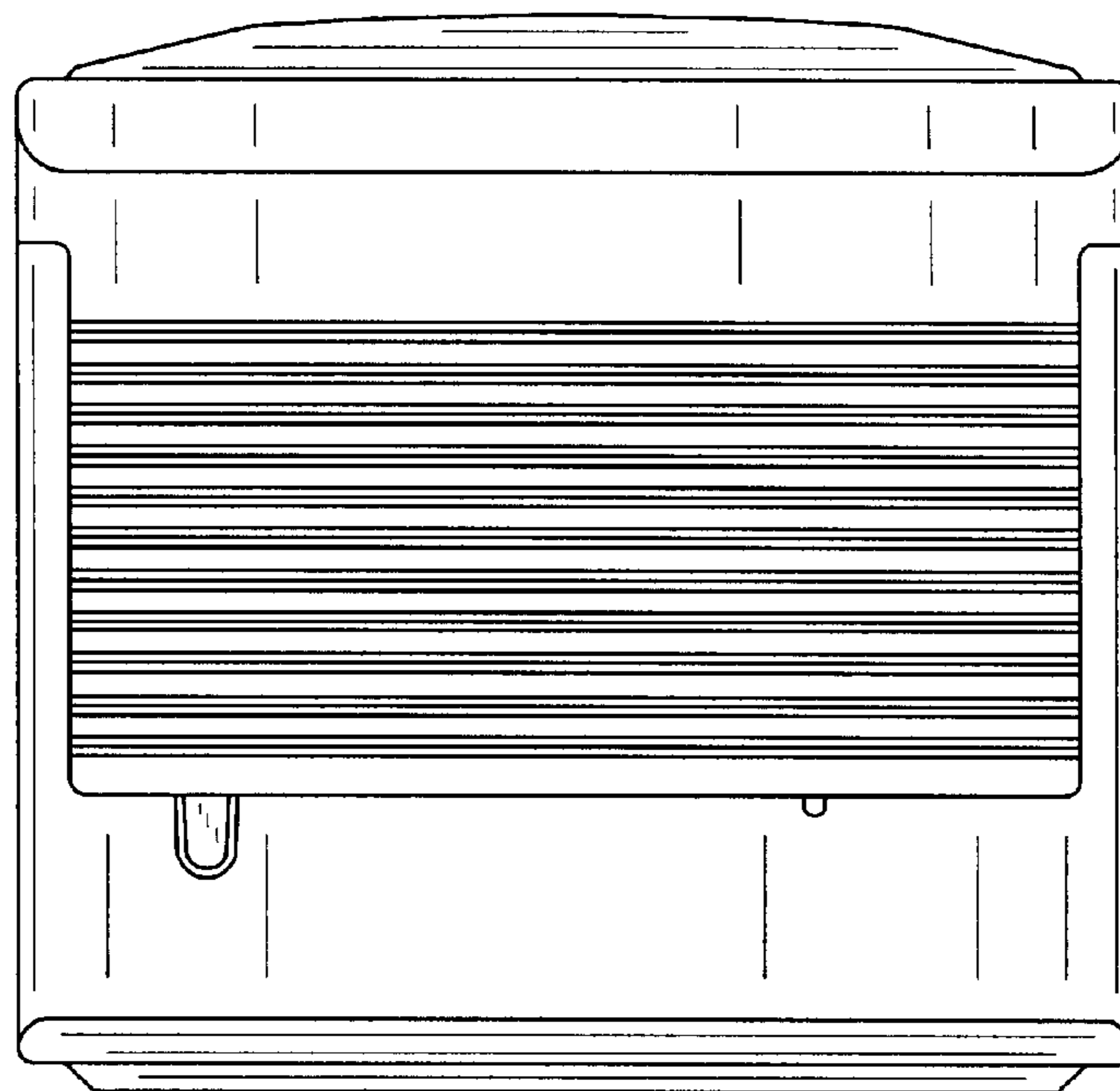


FIG. 4

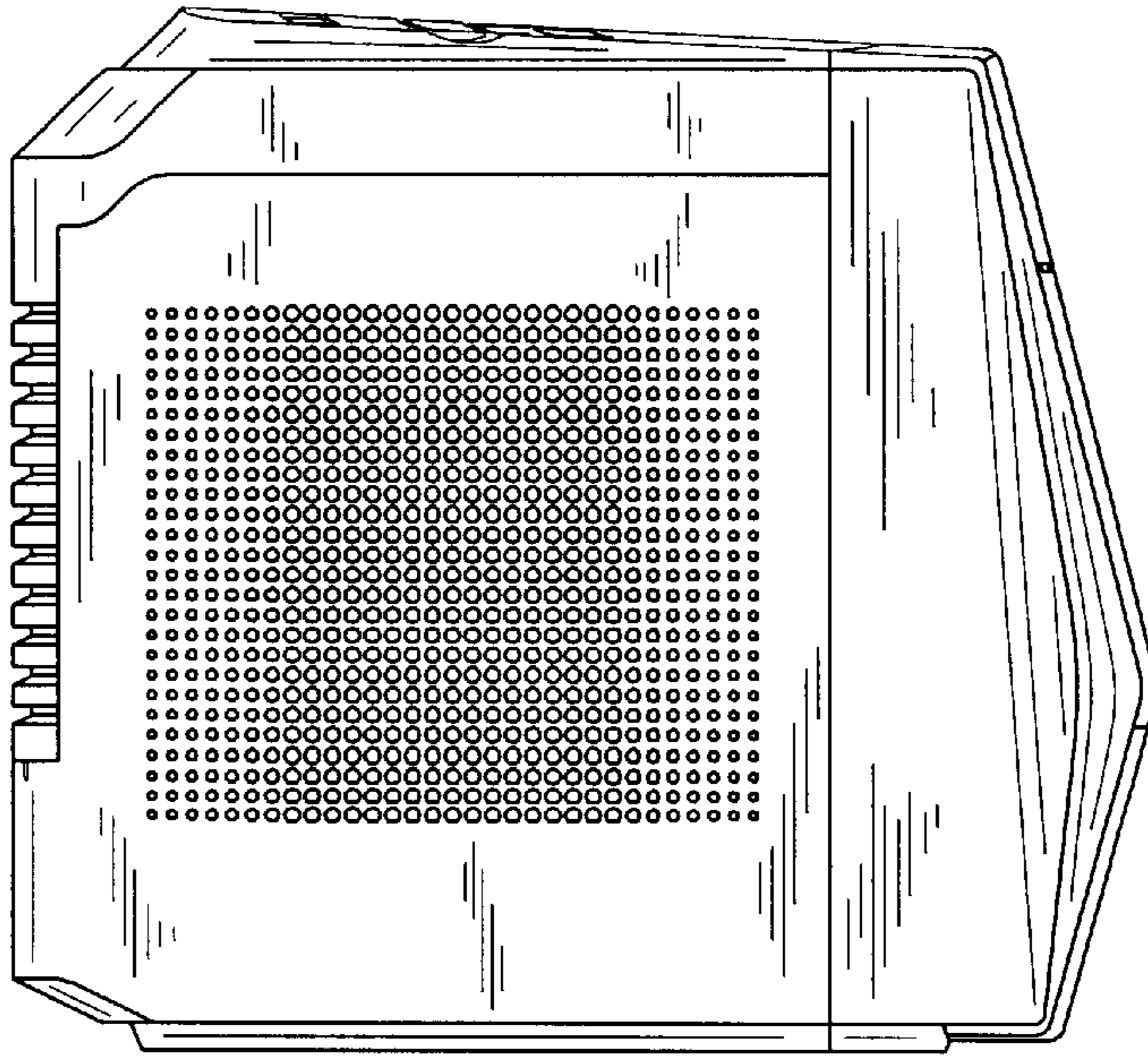


FIG. 5

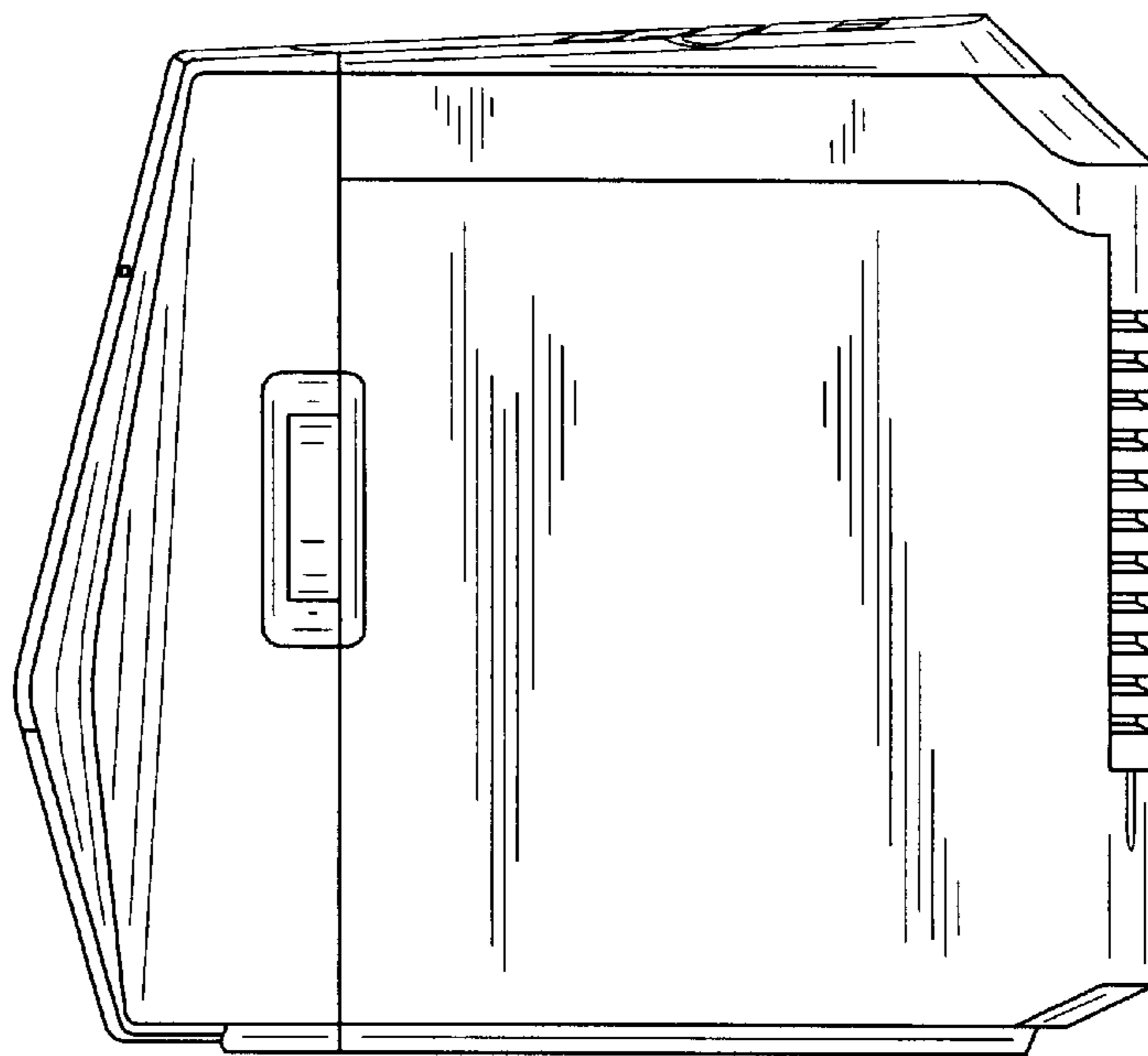


FIG. 6

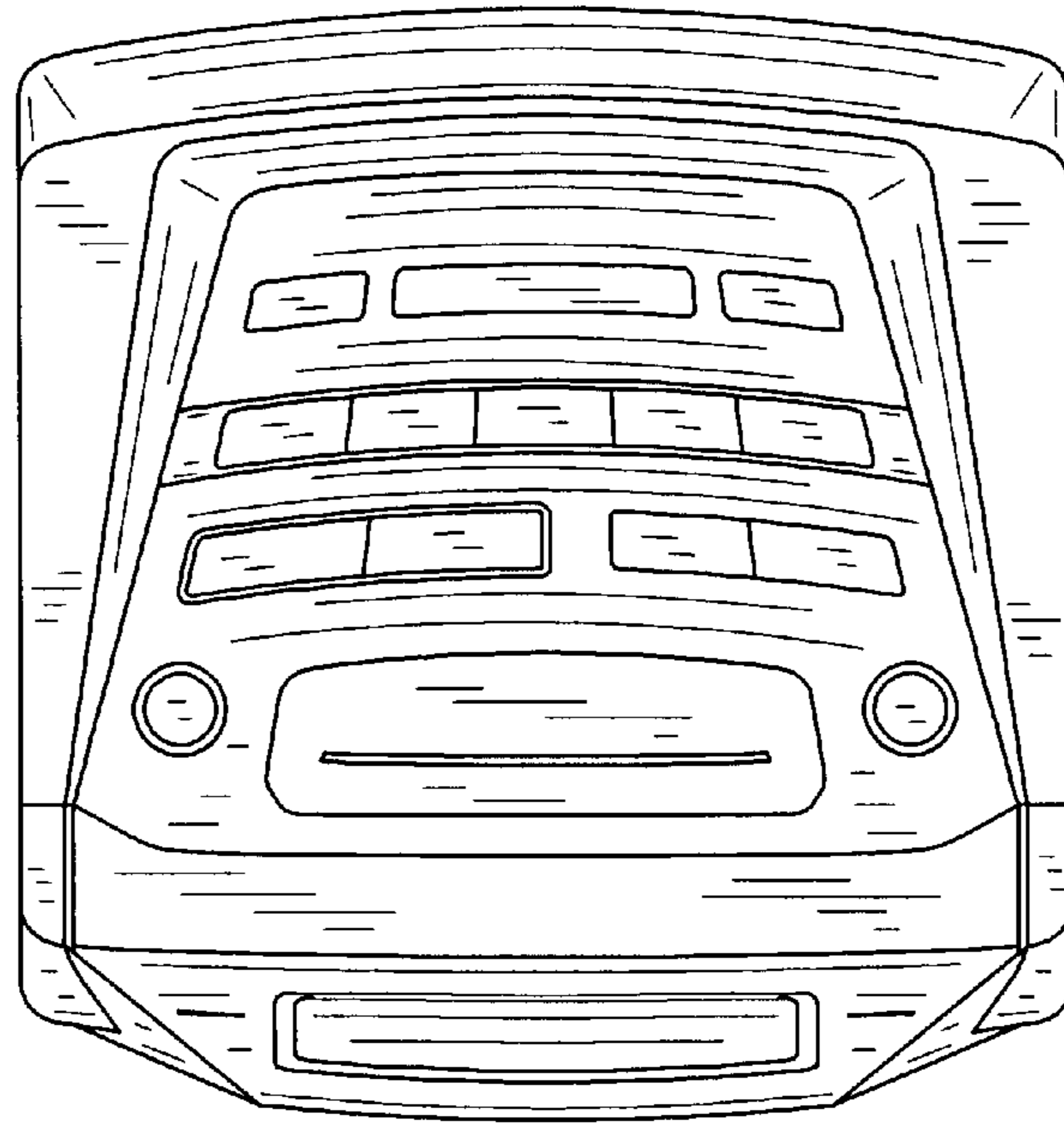


FIG. 7

